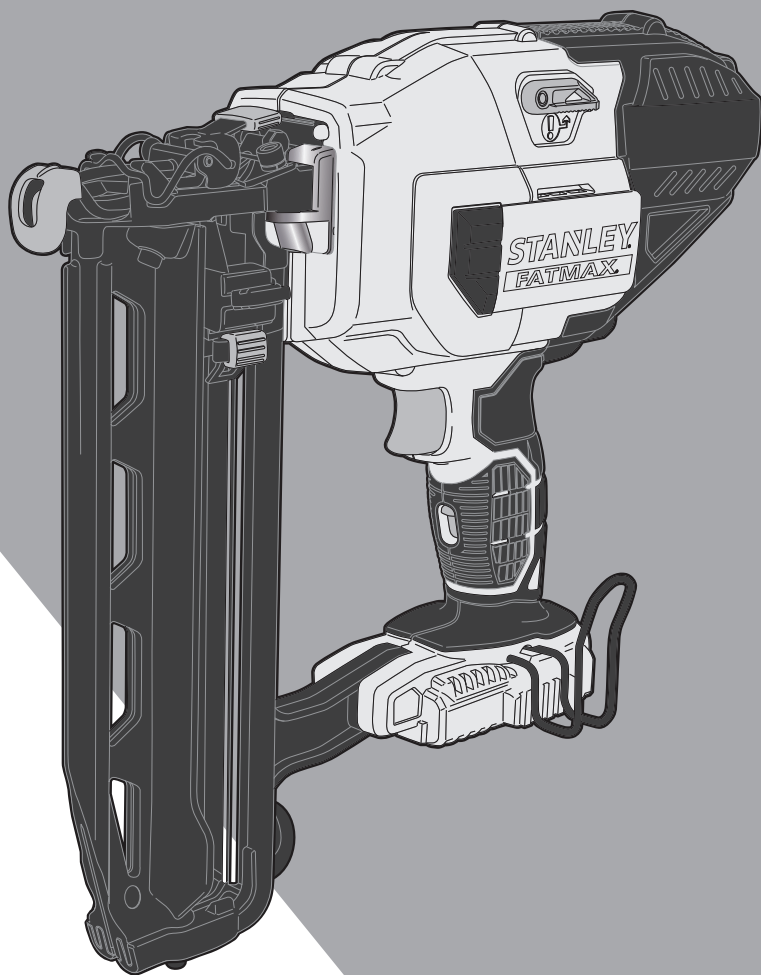
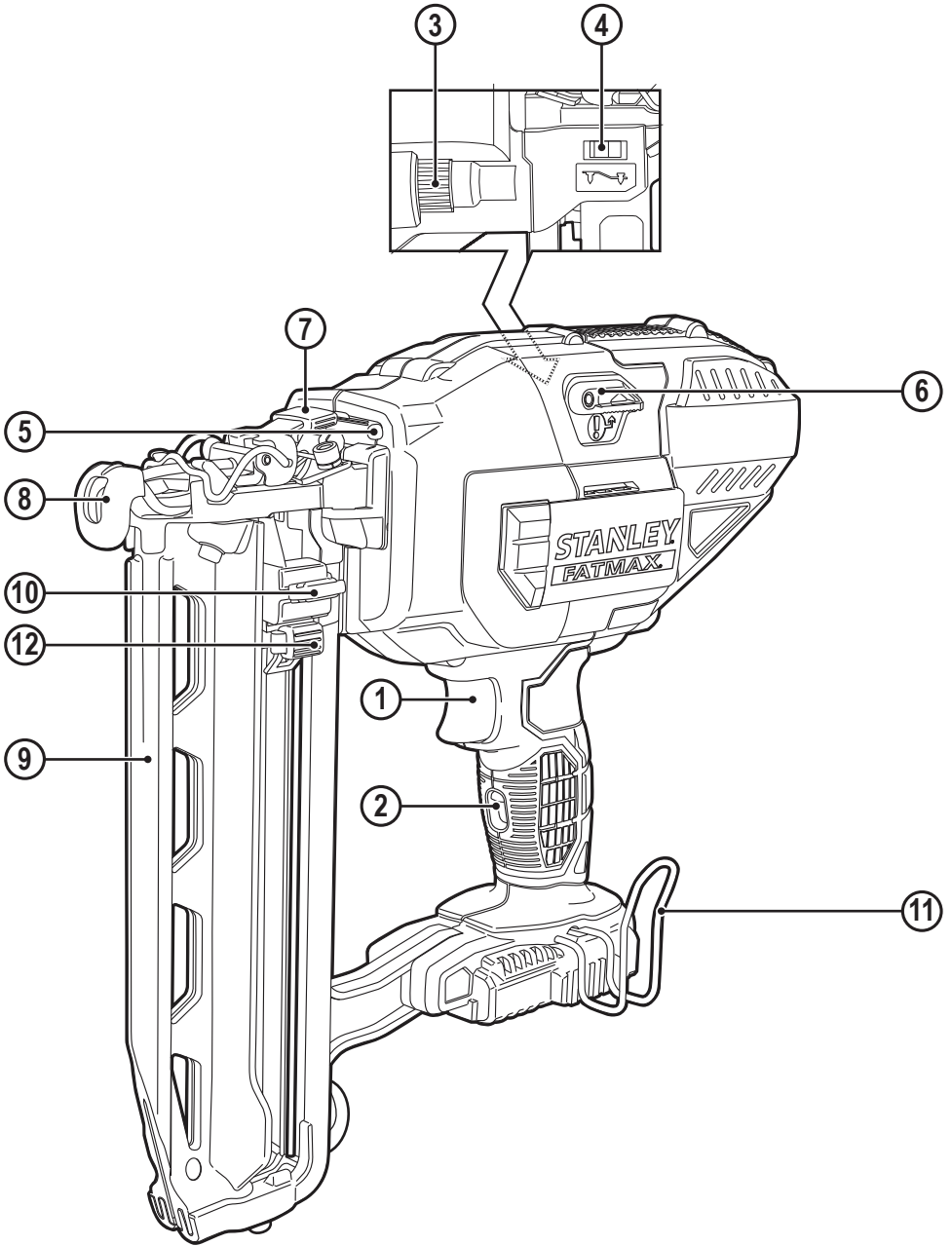


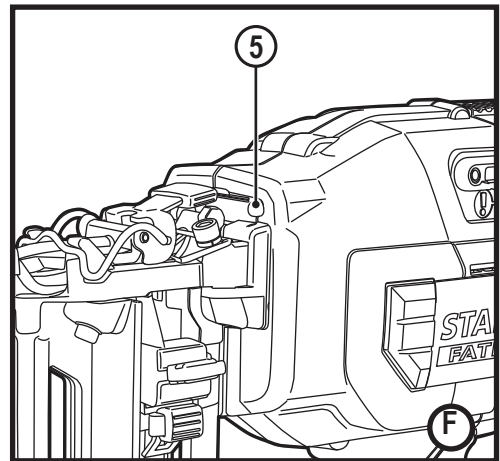
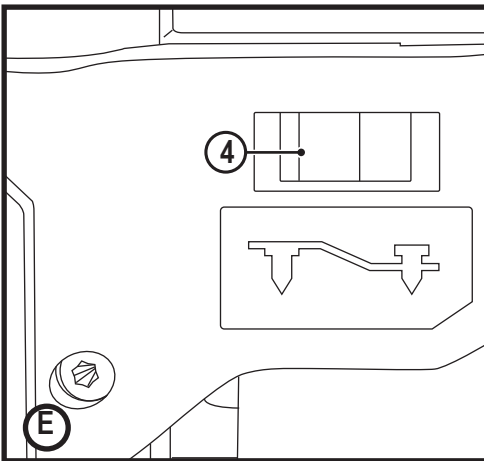
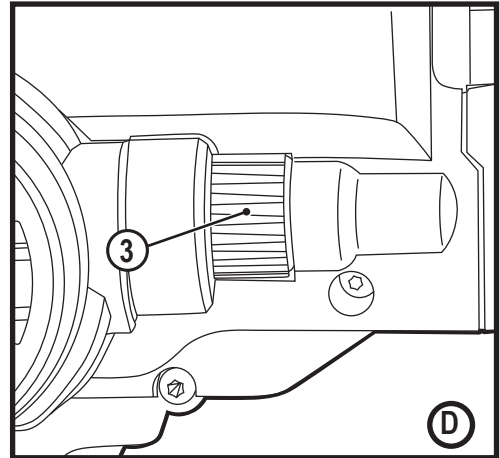
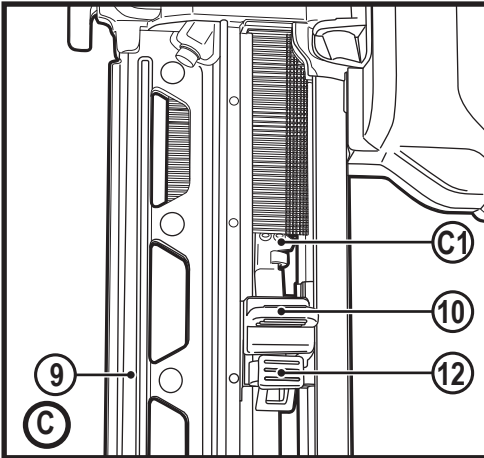
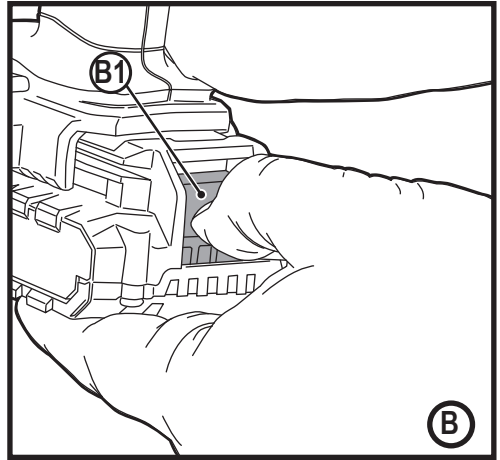
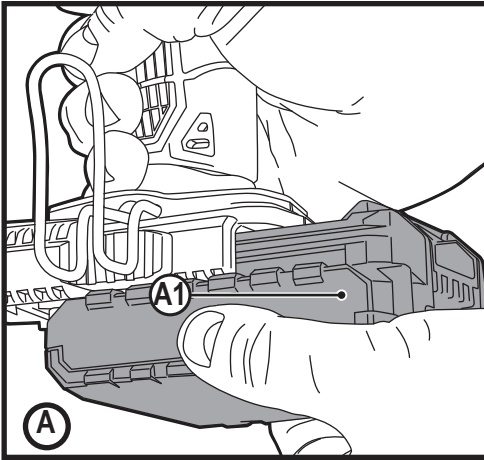
# STANLEY®

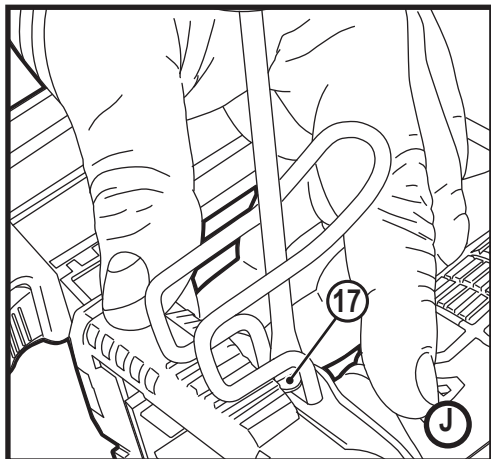
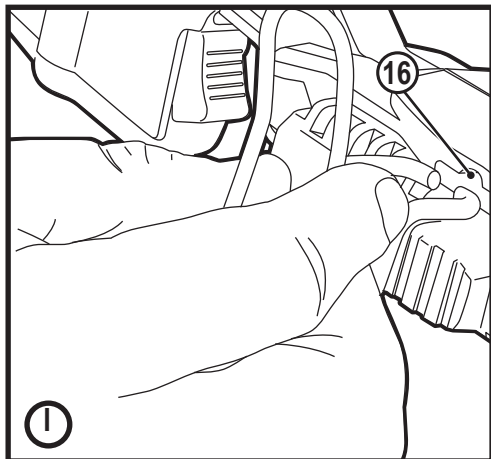
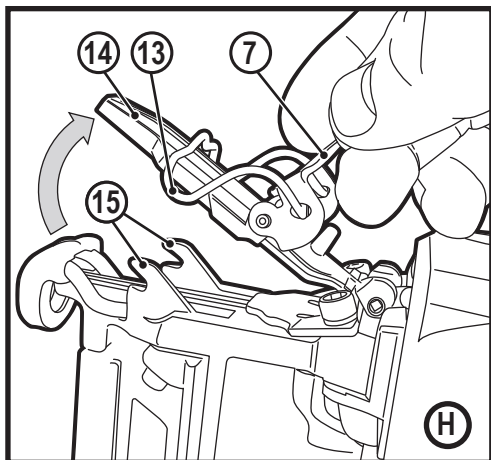
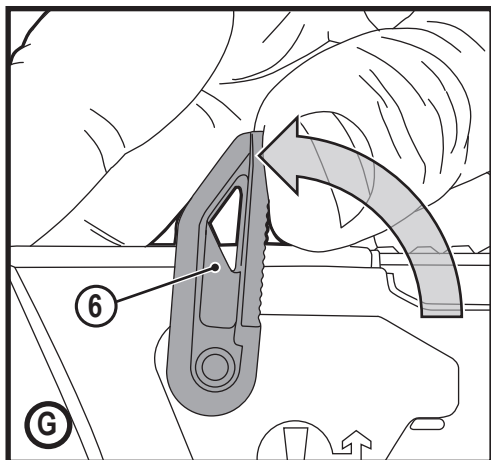
## FATMAX®



FMC792







## Intended use

Your Stanley FatMax FMC792 cordless nailer has been designed for nailing. This appliance is intended for professional and private, non professional users.

## Safety instructions

### General power tool safety warnings



**Warning! Read all safety warnings and all instructions.** Failure to follow the warnings and instructions listed below may result in electric shock, fire and/or serious injury.

#### Save all warnings and instructions for future reference.

The term "power tool" in all of the warnings listed below refers to your mains operated (corded) power tool or battery operated (cordless) power tool.

1. **Work area safety**
  - a. **Keep work area clean and well lit.** Cluttered or dark areas invite accidents.
  - b. **Do not operate power tools in explosive atmospheres, such as in the presence of flammable liquids, gases or dust.** Power tools create sparks which may ignite the dust or fumes.
  - c. **Keep children and bystanders away while operating a power tool.** Distractions can cause you to lose control.
2. **Electrical safety**
  - a. **Power tool plugs must match the outlet. Never modify the plug in any way. Do not use any adapter plugs with earthed (grounded) power tools.** Unmodified plugs and matching outlets will reduce risk of electric shock.
  - b. **Avoid body contact with earthed or grounded surfaces such as pipes, radiators, ranges and refrigerators.** There is an increased risk of electric shock if your body is earthed or grounded.
  - c. **Do not expose power tools to rain or wet conditions.** Water entering a power tool will increase the risk of electric shock.
  - d. **Do not abuse the cord. Never use the cord for carrying, pulling or unplugging the power tool. Keep cord away from heat, oil, sharp edges or moving parts.** Damaged or entangled cords increase the risk of electric shock.
  - e. **When operating a power tool outdoors, use an extension cord suitable for outdoor use.** Use of a cord suitable for outdoor use reduces the risk of electric shock.
  - f. **If operating a power tool in a damp location is unavoidable, use a residual current device (RCD) protected supply.** Use of an RCD reduces the risk of electric shock.
3. **Personal safety**
  - a. **Stay alert, watch what you are doing and use common sense when operating a power tool. Do not use a power tool while you are tired or under the influence of drugs, alcohol or medication.** A moment of inattention while operating power tools may result in serious personal injury.
  - b. **Use personal protective equipment. Always wear eye protection.** Protective equipment such as dust mask, non-skid safety shoes, hard hat, or hearing protection used for appropriate conditions will reduce personal injuries.
  - c. **Prevent unintentional starting. Ensure the switch is in the off-position before connecting to power source and/or battery pack, picking up or carrying the tool.** Carrying power tools with your finger on the switch or energising power tools that have the switch on invites accidents.
  - d. **Remove any adjusting key or wrench before turning the power tool on.** A wrench or a key left attached to a rotating part of the power tool may result in personal injury.
  - e. **Do not overreach. Keep proper footing and balance at all times.** This enables better control of the power tool in unexpected situations.
  - f. **Dress properly. Do not wear loose clothing or jewellery. Keep your hair, clothing and gloves away from moving parts.** Loose clothes, jewellery or long hair can be caught in moving parts.
  - g. **If devices are provided for the connection of dust extraction and collection facilities, ensure these are connected and properly used.** Use of dust collection can reduce dust-related hazards.
4. **Power tool use and care**
  - a. **Do not force the power tool. Use the correct power tool for your application.** The correct power tool will do the job better and safer at the rate for which it was designed.
  - b. **Do not use the power tool if the switch does not turn it on and off.** Any power tool that cannot be controlled with the switch is dangerous and must be repaired.
  - c. **Disconnect the plug from the power source and/or the battery pack from the power tool before making any adjustments, changing accessories, or storing power tools.** Such preventive safety measures reduce the risk of starting the power tool accidentally.
  - d. **Store idle power tools out of the reach of children and do not allow persons unfamiliar with the power tool or these instructions to operate the power tool.** Power tools are dangerous in the hands of untrained users.

- e. **Maintain power tools. Check for misalignment or binding of moving parts, breakage of parts and any other condition that may affect the power tools operation. If damaged, have the power tool repaired before use.** Many accidents are caused by poorly maintained power tools.
  - f. **Keep cutting tools sharp and clean.** Properly maintained cutting tools with sharp cutting edges are less likely to bind and are easier to control.
  - g. **Use the power tool, accessories and tool bits etc. in accordance with these instructions, taking into account the working conditions and the work to be performed.** Use of the power tool for operations different from those intended could result in a hazardous situation.
5. **Battery tool use and care**
- a. **Recharge only with the charger specified by the manufacturer.** A charger that is suitable for one type of battery pack may create a risk of fire when used with another battery pack.
  - b. **Use power tools only with specifically designated battery packs.** Use of any other battery packs may create a risk of injury and fire.
  - c. **When battery pack is not in use, keep it away from other metal objects, like paper clips, coins, keys, nails, screws, or other small metal objects, that can make a connection from one terminal to another.** Shorting the battery terminals together may cause burns or a fire.
  - d. **Under abusive conditions, liquid may be ejected from the battery; avoid contact. If contact accidentally occurs, flush with water. If liquid contacts eyes, additionally seek medical help.** Liquid ejected from the battery may cause irritation or burns.
6. **Service**
- a. **Have your power tool serviced by a qualified repair person using only identical replacement parts.** This will ensure that the safety of the power tool is maintained.

#### Additional power tool safety warnings

- ◆ **Use auxiliary handle(s) if supplied with the tool.** Loss of control can cause personal injury.
- ◆ **Hold power tool by insulated gripping surfaces when performing an operation where the cutting accessory may contact hidden wiring.** Cutting accessory contacting a "live" wire may make exposed metal parts of the power tool "live" and could give the operator an electric shock.
- ◆ **Hold power tool by insulated gripping surfaces, when performing an operation where the fastener may contact hidden wiring.** Fasteners contacting a "live" wire may make exposed metal parts of the power tool "live" and could give the operator an electric shock.

- ◆ **Use clamps or another practical way to secure and support the workpiece to a stable platform.** Holding the work by hand or against your body leaves it unstable and may lead to loss of control.
- ◆ Before drilling into walls, floors or ceilings, check for the location of wiring and pipes.
- ◆ Avoid touching the tip of a drill bit just after drilling, as it may be hot.
- ◆ The intended use is described in this instruction manual. The use of any accessory or attachment or performance of any operation with this tool other than those recommended in this instruction manual may present a risk of personal injury and/or damage to property.

#### Safety of others

- ◆ Never allow children, persons with reduced physical, sensory or mental capabilities or lack of experience and knowledge or people unfamiliar with these instructions to use the machine,
- ◆ local regulations may restrict the age of the operator.
- ◆ Never operate the machine while people, especially children, or pets are nearby.

#### Additional Safety Instructions for Cordless Nailers

- ◆ **Always wear safety glasses.**
- ◆ **Always wear ear protection.**
- ◆ **Only use fasteners of the type specified in the manual.**
- ◆ **Do not use any stands for mounting the tool to a support.**
- ◆ **Do not disassemble or block any parts of the fastener driving tool such as the contact trip.**
- ◆ **Prior to each operation check that the safety and triggering mechanism is functioning properly and that all nuts and bolts are tight.**
- ◆ **Do not use the tool as a hammer.**
- ◆ **Do not use the tool on a ladder.**
- ◆ **Never point any operational fastener driving tool at yourself or at any other person.**
- ◆ **While working, hold the tool in such a way that no injuries can be caused to the head or to the body in the event of a possible recoil due to a disruption in the energy supply or hard areas within the work piece.**
- ◆ **Never actuate the fastener driving tool into free space.**
- ◆ **In the work area, carry the tool at the workplace using only one handle, and never with the trigger actuated.**
- ◆ **Consider the conditions in the work area. Fasteners can penetrate thin work pieces or slip off corners and edges of the work piece, and thus put people at risk.**
- ◆ **Do not drive fasteners close to the edge of the work piece.**
- ◆ **Do not drive fasteners on top of other fasteners.**
- ◆ **Always assume that the tool contains fasteners.**

Careless handling of the nailer can result in unexpected firing of fasteners and personal injury.

- ◆ **Do not point the tool towards yourself or anyone nearby.** Unexpected triggering will discharge the fastener causing injury.
- ◆ **Do not actuate the tool unless it is placed firmly against the workpiece.** If the tool is not in contact, the fastener may be deflected away from your target.
- ◆ **Disconnect the tool from the power source when the fastener jams in the tool.** While removing a jammed fastener, the nailer may be accidentally activated if it is plugged in.
- ◆ **Do not use this tool for fastening electrical cables.** It is not designed for electric cable installation and may damage the insulation of electric cables thereby causing electric shock or fire hazards.

### Residual risks

Additional residual risks may arise when using the tool which may not be included in the enclosed safety warnings.

These risks can arise from misuse, prolonged use etc.

Even with the application of the relevant safety regulations and the implementation of safety devices, certain residual risks can not be avoided. These include:

- ◆ Injuries caused by touching any rotating/moving parts.
- ◆ Injuries caused when changing any parts, blades or accessories.
- ◆ Injuries caused by prolonged use of a tool. When using any tool for prolonged periods ensure you take regular breaks.
- ◆ Impairment of hearing.
- ◆ Health hazards caused by breathing dust developed when using your tool (example:- working with wood, especially oak, beech and MDF.)

### Vibration

The declared vibration emission values stated in the technical data and the declaration of conformity have been measured in accordance with a standard test method provided by EN50636 and may be used for comparing one tool with another. The declared vibration emission value may also be used in a preliminary assessment of exposure.

**Warning!** The vibration emission value during actual use of the power tool can differ from the declared value depending on the ways in which the tool is used. The vibration level may increase above the level stated.

When assessing vibration exposure to determine safety measures required by 2002/44/EC to protect persons regularly using power tools in employment, an estimation of vibration exposure should consider, the actual conditions of use and the way the tool is used, including taking account of all parts of the operating cycle such as the times when the tool is switched off and when it is running idle in addition to the trigger time.

### Labels on tool

The following symbols are shown on the tool along with the date code:



**Warning!** To reduce the risk of injury, the user must read the instruction manual.



**Warning!** To reduce the risk of injury, the user must wear ear and eye protection.



Keep hands and body parts clear of immediate work area.

### Additional safety instructions for batteries and chargers

#### Batteries

- ◆ Never attempt to open for any reason.
- ◆ Do not expose the battery to water.
- ◆ Do not store in locations where the temperature may exceed 40 °C.
- ◆ Charge only at ambient temperatures between 10 °C and 40 °C.
- ◆ When disposing of batteries, follow the instructions given in the section "Protecting the environment".
- ◆ Do not damage/deform the battery pack either by puncture or impact, as this may create a risk of injury and fire.
- ◆ Do not charge damaged batteries.
- ◆ Under extreme conditions, battery leakage may occur. When you notice liquid on the batteries Carefully wipe the liquid off using a cloth. Avoid skin contact.
- ◆ In case of skin or eye contact, follow the instructions below.

**Warning!** The battery fluid may cause personal injury or damage to property. In case of skin contact, immediately rinse with water. If redness, pain or irritation occurs seek medical attention. In case of eye contact, rinse immediately with clean water and seek medical attention.



Do not attempt to charge damaged batteries

#### Chargers

- ◆ Use your Stanley FatMax charger only to charge the battery in the tool with which it was supplied. Other batteries could burst, causing personal injury and damage.
- ◆ Never attempt to charge non-rechargeable batteries.
- ◆ Have defective cords replaced immediately.
- ◆ Do not expose the charger to water.
- ◆ Do not open the charger.
- ◆ Do not probe the charger

## Symbols on charger



The charger is intended for indoor use only.



Read the instruction manual before use.

## Electrical safety



Your adapter is double insulated; therefore no earth wire is required. Always check that the mains voltage corresponds to the voltage on the rating plate. Never attempt to replace the adapter unit with a regular mains plug.

## Features

This appliance includes some or all of the following features.

1. Trigger Switch
2. Trigger Lock-Off switch
3. Depth adjustment wheel
4. Depth adjustment indicator
5. Worklights/low battery/jam/stall indicator
6. Stall release lever
7. Jam clearing latch
8. Contact trip
9. Magazine
10. Pusher latch
11. Belt hook
12. Pusher latch release

## Use

### Charging the battery

The battery needs to be charged before first use and whenever it fails to produce sufficient power on jobs that were easily done before.

The battery may become warm while charging; this is normal and does not indicate a problem.

**Warning!** Do not charge the battery at ambient temperatures below 10 °C or above 40 °C. Recommended charging temperature: approx. 24 °C.

**Note:** The charger will not charge a battery if the cell temperature is below approximately 10 °C or above 40 °C.

The battery should be left in the charger and the charger will begin to charge automatically when the cell temperature warms up or cools down.

- ◆ Plug the charger into an appropriate outlet before inserting the battery pack.
- ◆ Insert the battery pack into the charger.



The green LED will flash indicating that the battery is being charged.



The completion of charge is indicated by the green LED remaining on continuously. The pack is fully charged and may be used at this time or left in the charger

**Warning!** Recharge discharged batteries as soon as possible after use or battery life may be greatly diminished.

### Charger diagnostics

This charger is designed to detect certain problems that can arise with the battery packs or the power source. Problems are indicated by one LED flashing in different patterns.

### Bad Battery



The charger can detect a weak or damaged battery. The red LED flashes in the pattern indicated on the label. If you see this bad battery blink pattern, do not continue to charge the battery. Return it to a service centre or a collection site for recycling

### Hot/Cold Pack Delay



When the charger detects a battery that is excessively hot or excessively cold, it automatically starts a Hot/Cold Pack delay, suspending charging until the battery has normalised. After this happens, the charger automatically switches to the Pack Charging mode. This feature ensures maximum battery life. The red LED flashes in the pattern indicated on the label when the Hot/Cold pack delay is detected.

### Leaving the battery in the charger

The charger and battery pack can be left connected with the LED glowing indefinitely. The charger will keep the battery pack fresh and fully charged.

### Important charging notes



- ◆ Longest life and best performance can be obtained if the battery pack is charged when the air temperature is between 18°- 24°C. DO NOT charge the battery pack in an air temperature below +4.5°C, or above +40.5°C. This is important and will prevent serious damage to the battery pack .
- ◆ The charger and battery pack may become warm to touch while charging. This is a normal condition, and does not indicate a problem. To facilitate the cooling of the battery pack after use, avoid placing the charger or battery pack in a warm environment such as in a metal shed, or an uninsulated trailer
- ◆ If the battery pack does not charge properly:
  - ◆ Check current at receptacle by plugging in a lamp or other appliance
  - ◆ Check to see if receptacle is connected to a light switch which turns power off when you turn out the lights.
  - ◆ Move charger and battery pack to a location where the surrounding air temperature is approximately 18°- 24°C.
  - ◆ If charging problems persist, take the appliance, battery pack and charger to your local service center.
- ◆ The battery pack should be recharged when it fails to produce sufficient power on jobs which were easily done previously. DO NOT CONTINUE to use under these conditions. Follow the charging procedure. You may also charge a partially used pack whenever you desire with no adverse affect on the battery pack.
- ◆ Foreign materials of a conductive nature such as, but not limited to, steel wool, aluminium foil, or any buildup of metallic particles should be kept away from charger cavities. Always unplug the charger from the power supply when there is no battery pack in the cavity. Unplug charger before attempting to clean.
- ◆ Do not freeze or immerse charger in water or any other liquid.

**Warning!** Shock hazard. Do not allow any liquid to get inside charger. Never attempt to open the battery pack for any reason.

If the plastic housing of the battery pack breaks or cracks, return to a service center for recycling.

### Installing and removing the battery pack from the appliance

**Warning!** Make certain the lock-off button is not engaged to prevent switch actuation before removing or installing battery.

#### To install battery pack

Insert battery (A1) into appliance until an audible click is heard (Figure A). Ensure battery pack is fully seated and fully

latched into position.

#### To remove battery pack

Depress the battery release button (B1) as shown in Figure B and pull battery pack out of appliance.

#### Operation

**Warning!** Read the section titled Nailer Safety Warnings at the beginning of this manual. Always wear eye and ear protection when operating this tool.

Keep the nailer pointed away from yourself and others. For safe operation, complete the following procedures and checks before each use of the nailer.

**Warning!** To reduce the risk of personal injury, disconnect battery pack from tool and engage trigger lock-off before performing maintenance, clearing a jammed nails, leaving work area, moving tool to another location or handing the tool to another person.

**Warning!** Keep fingers AWAY from trigger when not driving fasteners to avoid accidental firing. Never carry tool with finger on trigger.

- ◆ Wear proper eye, hearing and respiratory protection.
- ◆ Remove battery pack from tool and engage trigger lock-off.
- ◆ Lock the pusher in the back position and remove all nail strips from the magazine.
- ◆ Check for smooth and proper operation of contact trip and pusher assemblies. Do not use tool if either assembly is not functioning properly.
- ◆ Never use a tool that has damaged parts.

#### To operate the nailer

**Warning!** The contact trip needs to be depressed followed by a full trigger pull for each nail followed by a release of both the contact trip and trigger after each nail.

**Warning!** The battery should always be removed and the trigger lock-off engaged whenever any adjustments are made or when tool is not in use.

- ◆ Fully depress contact trip against the work surface.
- ◆ Fully pull trigger and motor will start. (nail will drive into work surface).
- ◆ Release trigger.
- ◆ Lift contact trip off work surface.
- ◆ Repeat the above 4 steps for next application

#### Preparing the tool

**Warning!** NEVER spray or in any other way apply oil, lubricants or cleaning solvents inside the tool. This can seriously affect the life and performance of the tool.

**Warning!** The battery should always be removed and the trigger lock-off engaged whenever any adjustments are made or when tool is not in use.

- ◆ Read the Safety Instruction section of this manual.

- ◆ Wear eye and ear protection.
- ◆ Remove battery from tool and fully charge.
- ◆ Ensure magazine is empty of all fasteners.
- ◆ Check for smooth and proper operation of contact trip and pusher assemblies. Do not use tool if either assembly is not functioning properly.
- ◆ Keep tool pointed away from yourself and others.
- ◆ Insert fully charged battery pack.

## Loading the Tool

**Warning!** Keep the tool pointed away from yourself and others. Serious personal injury may result.

**Warning!** Never load nails with the contact trip or trigger activated.

**Warning!** Always remove battery pack before loading or unloading nails.

**Warning!** The battery should always be removed and the trigger lock-off is engaged whenever any adjustments are made or when tool is not in use.

**Warning!** Keep fingers clear of pusher to prevent injury.

- ◆ Insert fasteners into the bottom of the magazine (9).
- ◆ Pull pusher (10) downward until the nail follower (C1) falls behind the nails as shown in figure C.
- ◆ Release the pusher (10).

## Unloading the Tool

**Warning!** The battery should always be removed and the trigger lock-off engaged whenever any adjustments are made or when tool is not in use.

- ◆ Press pusher latch release button (12).
- ◆ Manually slide nails towards the bottom of the magazine (9).
- ◆ Open the jam clear door (7) on the nosepiece to verify there are no nails remaining.

## Adjusting Depth (Fig. D, E)

The depth that the fastener is driven can be adjusted using the depth adjustment wheel (3) on the side of the tool.

**Warning!** To reduce risk of serious injury from accidental actuation when attempting to adjust depth, Always:

- ◆ Remove battery pack.
- ◆ Engage trigger lock-off.
- ◆ Avoid contact with trigger during adjustments.

Depth settings are on a sliding scale (4). The left side indicating the deepest and the right side indicating the shallowest.

- ◆ To drive a nail deeper, rotate the depth adjustment wheel (3) downwards. This will slide the depth adjustment indicator (4) to the left on the scale.
- ◆ To drive a nail shallower, rotate the depth adjustment wheel (3) upwards. This will slide the depth adjustment indicator (4) to the right on the scale.

## Work lights (Fig. F)

There are work lights (5) located on each side of the nailer. Work lights turn on upon depressing the contact trip.

**Note:** These work lights are for illuminating the immediate work surface and are not intended to be used as flashlights.



## Low Battery Indicator:

The work lights will flash and then turn off completely to indicate low battery.



## Jammed Nail Indicator:

The work lights will flash continually if a nail becomes jammed in the nose piece (see Clearing a jammed nail).

## Stall Release (Fig. G)

**Warning!** If a stall occurs, the tool will disable itself and will require you to reset it. To do so, follow instructions on clearing a stalled condition. Next remove battery pack and then reinsert battery pack. The tool will now be operational. If the nailer is used in a rigorous application where all available energy in the motor is used to drive a fastener, the tool may stall. The driver blade did not complete the drive cycle and the jam/stall indicator will flash. Rotate the stall release lever (6) on the tool and the mechanism will release as shown in figure G.

**Note!** The tool will disable itself and not reset until the battery pack has been removed and reinserted. If the unit continues to stall please review the material and fastener length to be sure that it is not too rigorous an application. If the driver blade does not automatically return to the home position after rotating the stall release lever, proceed to "clearing a jammed nail".



## Clearing a Jammed Nail (Fig. H)

**Warning!** To reduce the risk of personal injury, disconnect battery pack from tool and engage trigger lock-off before performing maintenance, or clearing a jammed nail.

If a nail becomes jammed in the nosepiece, keep the tool pointed away from you and follow these instructions to clear:

- ◆ Remove battery pack from tool and engage trigger lock-off.



- ◆ Rotate the stall release lever (6) on the tool to release the driver blade and clear the jam. If tool is still jammed follow the 9 steps listed below:
  - ◆ Pull pusher downward until it locks in place then tip the tool over so the nails slide freely out from the bottom of the magazine.



- ◆ Lift the jam clearing latch (7) then pull up to open front door (14).
- ◆ Remove bent nail, using pliers if necessary.
- ◆ If driver blade is in the down position, insert screwdriver or other rod into nosepiece and push driver blade back in position.
- ◆ Close the front door and engage the wire form (13) under the two arms (15) on the contact trip. Push jam clearing latch down (7) until it locks in place.
- ◆ Reinsert nails into magazine (see Loading the Tool).
- ◆ Pull pusher (10) downward until the nail follower (C1) falls behind the nails as shown in figure C.
- ◆ Reinsert battery pack.
- ◆ Disengage trigger lock-off (2), allowing the trigger to be actuated.

**Warning!** If a jam occurs, the tool will disable itself and will require you to reset it. To do so, follow instructions on clearing the jammed nail. Next remove battery pack and then reinsert battery pack. The tool will now be operational.

**Note!** Should nails continue to jam frequently in contact trip, have tool serviced by an authorized Stanley FatMax service center.

## Cold Weather Operation

When operating tools at temperatures below freezing:

- ◆ Keep tool as warm as possible prior to use.
- ◆ Actuate the tool 5 or 6 times into scrap lumber before using.

## Hot Weather Operation

Tool should operate normally. However, keep tool out of direct sunlight as excessive heat can deteriorate bumpers and other rubber parts resulting in increased maintenance.

## Belt Hook (Fig. I-J)

**Warning!** Remove nails from magazine before making any adjustments or servicing this tool. Failure to do so may result in serious injury.

- ◆ Remove battery pack from tool, and engage trigger lock-off.
- ◆ With a screwdriver remove screw from hang hook cavity on the base of the tool (16).
- ◆ Place the front lip of the hang hook (11) into the cavity on the base of the tool (16) as shown in Figure I.
- ◆ Secure the hang hook (11) with the supplied screw (17) and firmly tighten with a screwdriver as shown in Figure J.
- ◆ Replace battery pack.

## Replacement parts

**Warning!** To reduce the risk of personal injury, disconnect battery pack from tool and engage trigger lock-off before performing maintenance, or clearing a jammed nail.

The tool comes equipped with a spare no mar tip located on the side of the nail magazine.

- ◆ To replace the no mar pad, simply pull off the old no mar pad and refit the new no mar pad onto the contact trip.

Use only identical replacement parts.

## Troubleshooting

If your appliance seems not to operate properly, follow the following instructions.

If this does not solve the problem, please contact your local Stanley FatMax repair agent.

**Warning!** Before proceeding, unplug the appliance.

Problem	Possible Cause	Possible Solution
Unit will not start.	Battery pack not installed properly.	Check battery pack installation.
	Battery pack not charged.	Check battery pack charging requirements.
	Trigger lock-off is engaged.	Disengage trigger lock-off.
Tool doesn't actuate. (Headlights on, motor does not run)	Motor stops running after 2 seconds.	Normal operation; release trigger or contact trip and re-depress.
Tool doesn't actuate. (Headlights flash)	Low battery charge or damaged battery.	Charge or replace battery.
Tool doesn't actuate. (Headlights flash continuously)	Jammed fastener / tool stalled.	Remove the battery, rotate the stall release lever. Clear the jammed fastener, and reinsert battery pack.
	Jammed mechanism	See authorized service center.
Tool doesn't actuate. ((Headlights on, motor runs, driver blade stuck down)		See authorized service center.

Problem	Possible Cause	Possible Solution
Tool operates, but does not drive the fastener fully.	Low battery charge or damaged battery.	Charge or replace battery.
	Depth adjustment set too shallow.	Rotate depth adjustment wheel to a deeper setting. Read instruction manual.
	Tool not firmly applied to workpiece.	
	Material and fastener length too rigorous an application.	Choose appropriate material or fastener length.

## Maintenance

Your Stanley FatMax corded/cordless appliance/tool has been designed to operate over a long period of time with a minimum of maintenance. Continuous satisfactory operation depends upon proper tool/appliance care and regular cleaning.

**Warning!** Switch off and unplug the appliance before carrying out any cleaning.

- ◆ Dirt and grease may be removed from the exterior of the appliance using a cloth.

**Warning!** NEVER use solvents or other harsh chemicals for cleaning the non-metallic parts of the appliance. These chemicals may weaken the materials used in these parts. Use a cloth dampened only with water and mild soap. Never let any liquid get inside the unit; never immerse any part of the unit into a liquid.

**Warning!** NEVER spray or in any other way apply lubricants or cleaning solvents inside the tool. This can seriously affect the life and performance of the tool.

## Service Notes

This product is not user serviceable. There are no user serviceable parts inside the nailer. Servicing at an authorized service center is required to avoid damage to static sensitive internal components.

## Protecting the environment



Separate collection. Products and batteries marked with this symbol must not be disposed of with normal household waste.

Products and batteries contain materials that can be recovered or recycled reducing the demand for raw materials. Please recycle electrical products and batteries according to local provisions. Further information is available at [www.2helpU.com](http://www.2helpU.com)

## Technical data

FMC792 Type:1		
Voltage	$V_{DC}$	18
Battery Type		Li-Ion
Actuating mode		Sequential
Magazine angle		Straight
No load speed	rpm	9100
Drive energy	approx	60J
Weight (bare tool)	kg	2.6

Fasteners		
Length	mm	25 - 64
Shank diameter	mm	1.6
Angle		Straight

Charger 90611165		
Input voltage	$V_{AC}$	230
Output voltage	$V_{DC}$	18
Current	Ah	2.0
Approx. charge time		1 hr (2.0 Ah) 2 hr (4.0 Ah)
Weight (bare charger)	kg	0.45

Battery	FMC687L	FMC688L	
Voltage	$V_{AC}$	18	18
Capacity	Ah	2.0ah	4.0ah
Weight	kg	0.35	0.67
Type		Li-Ion	Li-Ion

Level of sound pressure according to EN 60745 - 1:	
Sound pressure ( $L_{pA}$ )	87 dB(A), uncertainty (K) 1.5 dB(A)
Sound power ( $L_{WA}$ )	92 dB(A), uncertainty (K) 2.5 dB(A)

Vibration total values (triax vector sum) according to EN 60745 - 2 - 16:	
Staple nails ( $a_r$ )	1.8 $m/s^2$ , uncertainty (K) 1.8 $m/s^2$

## Australia & New Zealand

Stanley Black & Decker

82 Taryn Drive, Epping, VIC 3076 Australia

Tel.1800 338 002 (Aust) or Tel. 0800 339 258 (NZ)