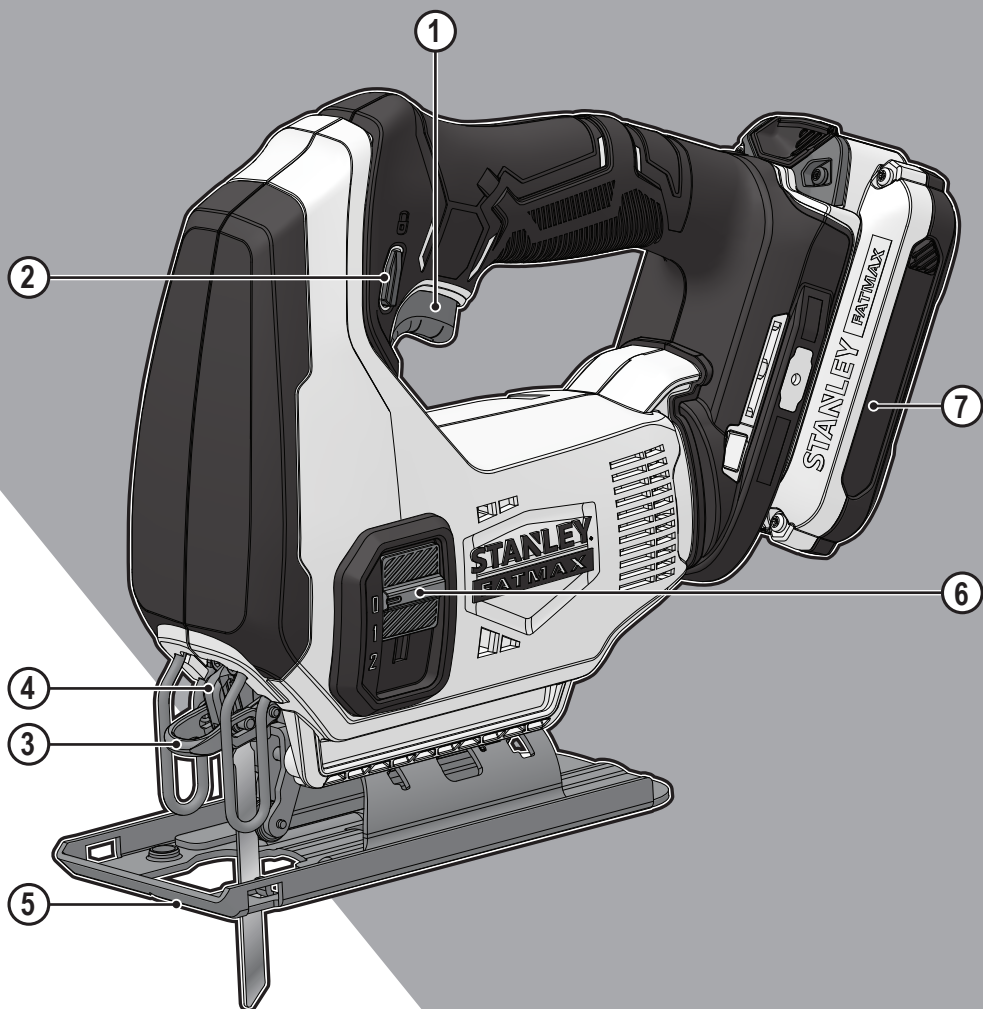


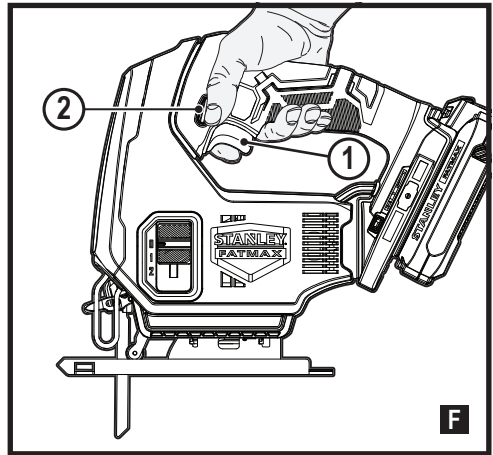
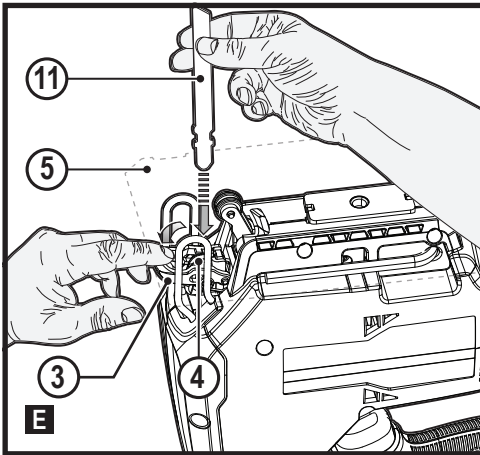
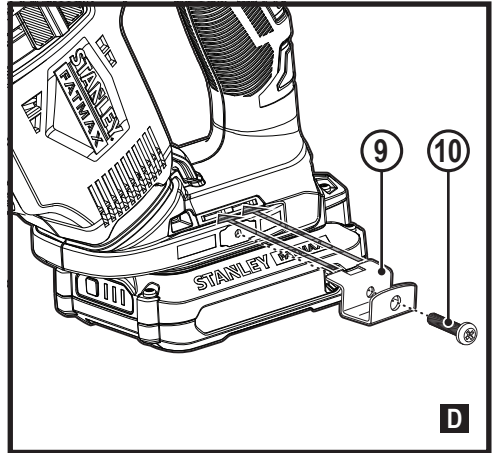
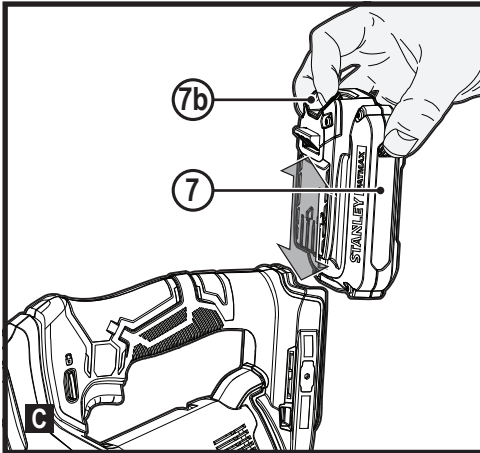
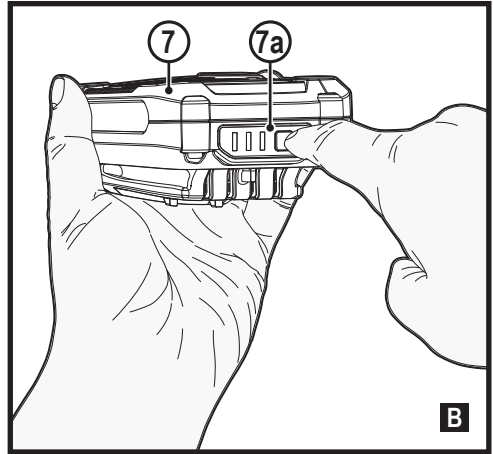
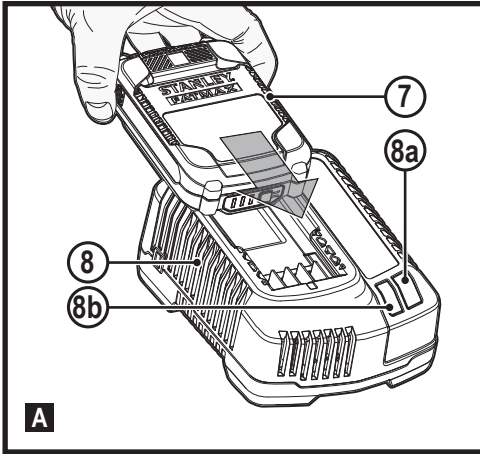
STANLEY[®] FATMAX[®] V20 LITHIUM ION

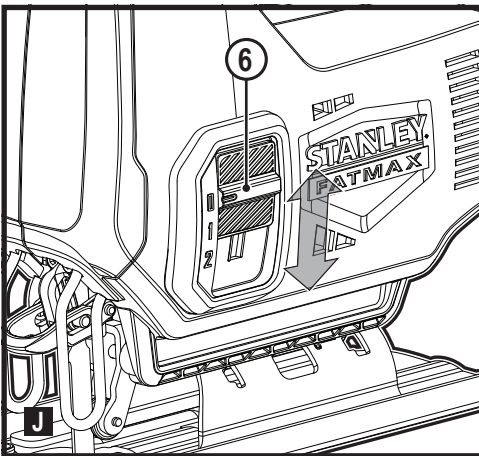
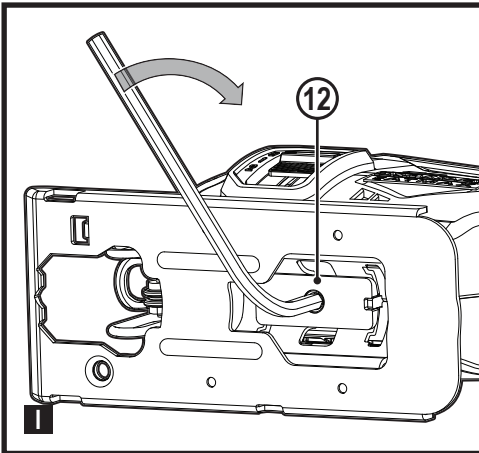
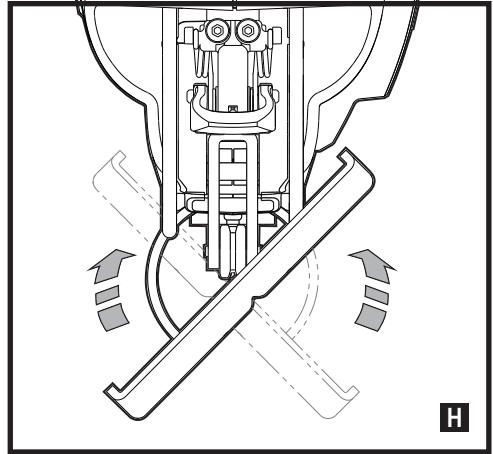
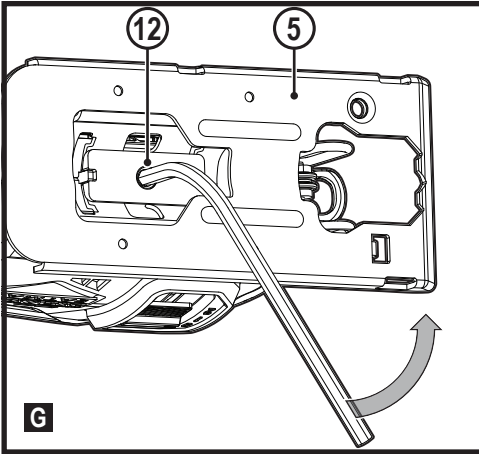


www.stanley.eu

SFMCS600

English (original instructions)	4
Deutsch (<i>übersetzt von den originalanweisungen</i>)	11
Français (<i>traduction de la notice d'instructions originale</i>)	19
Italiano (<i>tradotto dalle istruzioni originali</i>)	26
Nederlands (<i>vertaald vanuit de originele instructies</i>)	34
Español (<i>traducido de las instrucciones originales</i>)	41
Português (<i>traduzido das instruções originais</i>)	49
Svenska (<i>översatt från de ursprungliga instruktionerna</i>)	56
Norsk (<i>oversatt fra de originale instruksjonene</i>)	63
Dansk (<i>oversat fra original brugsvejledning</i>)	69
Suomi (<i>käännetty alkuperäisestä käyttöohjeesta</i>)	76
Ελληνικά (<i>μετάφραση από τις πρωτότυπες οδηγίες</i>)	83





Intended use

Your STANLEY FATMAX jigsaw has been designed for sawing wood, plastics and sheet metal. This tool is intended for professional and private, non professional users.

Safety instructions

General power tool safety warnings



Warning! Read all safety warnings, instructions, illustrations and specifications provided with this power tool. Failure to follow the warnings and instructions listed below may result in electric shock, fire and/or serious injury..

Save all warnings and instructions for future reference.

The term "power tool" in all of the warnings listed below refers to your mains operated (corded) power tool or battery operated (cordless) power tool.

1. **Work area safety**
 - a. **Keep work area clean and well lit.** Cluttered or dark areas invite accidents.
 - b. **Do not operate power tools in explosive atmospheres, such as in the presence of flammable liquids, gases or dust.** Power tools create sparks which may ignite the dust or fumes.
 - c. **Keep children and bystanders away while operating a power tool.** Distractions can cause you to lose control.
2. **Electrical safety**
 - a. **Power tool plugs must match the outlet. Never modify the plug in any way.**

- Do not use any adapter plugs with earthed (grounded) power tools.** Unmodified plugs and matching outlets will reduce risk of electric shock.
- b. **Avoid body contact with earthed or grounded surfaces such as pipes, radiators, ranges and refrigerators.** There is an increased risk of electric shock if your body is earthed or grounded.
 - c. **Do not expose power tools to rain or wet conditions.** Water entering a power tool will increase the risk of electric shock.
 - d. **Do not abuse the cord. Never use the cord for carrying, pulling or unplugging the power tool. Keep cord away from heat, oil, sharp edges or moving parts.** Damaged or entangled cords increase the risk of electric shock.
 - e. **When operating a power tool outdoors, use an extension cord suitable for outdoor use.** Use of a cord suitable for outdoor use reduces the risk of electric shock.
 - f. **If operating a power tool in a damp location is unavoidable, use a residual current device (RCD) protected supply.** Use of an RCD reduces the risk of electric shock.
3. **Personal safety**
 - a. **Stay alert, watch what you are doing and use common sense when operating a power tool.** Do not use a power tool while you are tired or under the influence of drugs, alcohol or medication. A moment of inattention while operating power tools may result in serious personal injury.
 - b. **Use personal protective equipment. Always wear eye protection.** Protective equipment such as dust mask, non-skid safety shoes, hard hat, or hearing protection used for appropriate conditions will reduce personal injuries.
 - c. **Prevent unintentional starting. Ensure the switch is in the off-position before connecting to power source and/or battery pack, picking up or carrying the tool.** Carrying power tools with your finger on the switch or energising power tools that have the switch on invites accidents.
 - d. **Remove any adjusting key or wrench before turning the power tool on.** A wrench or a key left attached to a rotating part of the power tool may result in personal injury.
 - e. **Do not overreach. Keep proper footing and balance at all times.** This enables better control of the power tool in unexpected situations.
 - f. **Dress properly. Do not wear loose clothing or jewellery. Keep your hair and clothing away from moving parts.** Loose clothes, jewellery or long hair can be caught in moving parts.
 - g. **If devices are provided for the connection of dust extraction and collection facilities, ensure these are connected and properly used.** Use of dust collection can reduce dust-related hazards.
 - h. **Do not let familiarity gained from frequent use of tools allow you to become complacent and ignore tool safety principles.** A careless action can cause severe injury within a fraction of a second.
4. **Power tool use and care**
 - a. **Do not force the power tool. Use the correct power tool for your application.** The correct power tool will do the job better and safer at the rate for which it was designed.
 - b. **Do not use the power tool if the switch does not turn it on and off.** Any power tool that cannot be controlled with the switch is dangerous and must be repaired.
 - c. **Disconnect the plug from the power source and/or remove the battery pack, if detachable, from the power tool before making any adjustments, changing accessories, or storing power tools. Such preventive safety measures reduce the risk of starting the power tool accidentally.**
 - d. **Store idle power tools out of the reach of children and do not allow persons unfamiliar with the power tool or these instructions to operate the power tool.** Power tools are dangerous in the hands of untrained users.
 - e. **Maintain power tools and accessories. Check for misalignment or binding of moving parts, breakage of parts and any other condition that may affect the power tools operation. If damaged, have the power tool repaired before use.** Many accidents are caused by poorly maintained power tools.
 - f. **Keep cutting tools sharp and clean.** Properly maintained cutting tools with sharp cutting edges are less likely to bind and are easier to control.
 - g. **Use the power tool, accessories and tool bits etc. in accordance with these instructions, taking into account the working conditions and the work to be performed.** Use of the power tool for operations different from those intended could result in a hazardous situation.
 - h. **Keep handles and grasping surfaces dry, clean and free from oil and grease.** Slippery handles and grasping surfaces do not allow for safe handling and control of the tool in unexpected situations.
 5. **Battery tool use and care**
 - a. **Recharge only with the charger specified by the manufacturer.** A charger that is suitable for one type of battery pack may create a risk of fire when used with another battery pack.

- b. **Use power tools only with specifically designated battery packs.** Use of any other battery packs may create a risk of injury and fire.
 - c. **When battery pack is not in use, keep it away from other metal objects, like paper clips, coins, keys, nails, screws, or other small metal objects, that can make a connection from one terminal to another.** Shorting the battery terminals together may cause burns or a fire.
 - d. **Under abusive conditions, liquid may be ejected from the battery; avoid contact. If contact accidentally occurs, flush with water. If liquid contacts eyes, additionally seek medical help.** Liquid ejected from the battery may cause irritation or burns.
 - e. Do not use a battery pack or tool that is damaged or modified. Damaged or modified batteries may exhibit unpredictable behaviour resulting in fire, explosion or risk of injury.
 - f. Do not expose a battery pack or tool to fire or excessive temperature. Exposure to fire or temperature above 130 °C may cause explosion.
 - g. Follow all charging instructions and do not charge the battery pack or tool outside the temperature range specified in the instructions. Charging improperly or at temperatures outside the specified range may damage the battery and increase the risk of fire.
- 6. Service**
- a. **Have your power tool serviced by a qualified repair person using only identical replacement parts. This will ensure that the safety of the power tool is maintained.**
 - b. **Never service damaged BATTERY packs. Service of BATTERY packs should only be performed by the manufacturer or authorized service providers.**

Additional safety warnings for jigsaws and reciprocating saws

- **Hold power tool by insulated gripping surfaces, when performing an operation where the cutting accessory may contact hidden wiring.** Cutting accessory contacting a "live" wire may make exposed metal parts of the power tool "live" and could give the operator an electric shock.
- **Use clamps or another practical way to secure and support the workpiece to a stable platform.** Holding the work by hand or against your body leaves it unstable and may lead to loss of control.

- **Keep hands away from cutting area.** Never reach underneath the work piece any reason. Do not insert fingers or thumb into the vicinity of the reciprocating blade and blade clamp. Do not stabilize the saw by gripping the shoe.
- **Keep blades sharp.** Dull or damaged blades may cause the saw to swerve or stall under pressure. Always use the appropriate type of saw blade for the workpiece material and type of cut.
- **When cutting pipe or conduit, make sure that they are free from water, electrical wiring, etc.**
- **Do not touch the workpiece or the blade immediately after operating the tool.** They can become very hot.
- **Be aware of hidden hazards, before cutting into walls, floors or ceilings, check for the location of wiring and pipes.**
- **The blade will continue to move after releasing the switch.** Always switch the tool off and wait for the saw blade to come to a complete standstill before putting the tool down.



Warning! Contact with, or inhalation of dusts arising from cutting applications may endanger the health of the operator and possible bystanders. Wear a dust mask specifically designed for protection against dust and fumes and ensure that persons within or entering the work area are also protected.

- The intended use is described in this instruction manual. The use of any accessory or attachment or performance of any operation with this tool other than those recommended in this instruction manual may present a risk of personal injury and/or damage to property.

Safety of others

- This tool is not intended for use by persons (including children) with reduced physical, sensory or mental capabilities, or lack of experience and knowledge, unless they have been given supervision or instruction concerning use of the appliance by a person responsible for their safety.
- Children should be supervised to ensure that they do not play with the appliance.

Residual risks.

Additional residual risks may arise when using the tool which may not be included in the enclosed safety warnings. These risks can arise from misuse, prolonged use etc. Even with the application of the relevant safety regulations and the implementation of safety devices, certain residual risks can not be avoided. These include:

- Injuries caused by touching any rotating/moving parts.
- Injuries caused when changing any parts, blades or accessories.

- Injuries caused by prolonged use of a tool. When using any tool for prolonged periods ensure you take regular breaks.
- Impairment of hearing.
- Health hazards caused by breathing dust developed when using your tool (example:- working with wood, especially oak, beech and MDF.)

Vibration

The declared vibration emission values stated in the technical data and the declaration of conformity have been measured in accordance with a standard test method provided by EN 62841 and may be used for comparing one tool with another. The declared vibration emission value may also be used in a preliminary assessment of exposure.



Warning! The vibration emission value during actual use of the power tool can differ from the declared value de2019-10-22 on the ways in which the tool is used. The vibration level may increase above the level stated.

When assessing vibration exposure to determine safety measures required by 2002/44/EC to protect persons regularly using power tools in employment, an estimation of vibration exposure should consider, the actual conditions of use and the way the tool is used, including taking account of all parts of the operating cycle such as the times when the tool is switched off and when it is running idle in addition to the trigger time.

Labels on tool

The following symbols are shown on the tool:



Warning! To reduce the risk of injury, the user must read the instruction manual.

Additional safety instructions for batteries and chargers

Batteries

- Never attempt to open for any reason.
- Do not expose the battery to water.
- Do not store in locations where the temperature may exceed 40 °C.
- Charge only at ambient temperatures between 10 °C and 40 °C.
- Charge only using the charger provided with the tool.
- When disposing of batteries, follow the instructions given in the section "Protecting the environment".



Do not attempt to charge damaged batteries.

Chargers

- Use your Stanley Fatmax charger only to charge the battery in the tool with which it was supplied. Other batteries could burst, causing personal injury and damage.
- Never attempt to charge non-rechargeable batteries.
- Have defective cords replaced immediately.
- Do not expose the charger to water.
- Do not open the charger.
- Do not probe the charger.



The charger is intended for indoor use only.



Read the instruction manual before use.

Electrical safety



Your charger is double insulated; therefore no earth wire is required. Always check that the mains voltage corresponds to the voltage on the rating plate. Never attempt to replace the charger unit with a regular mains plug.

- If the supply cord is damaged, it must be replaced by the manufacturer or an authorised STANLEY FATMAX Service Centre in order to avoid a hazard.

Features

This tool includes some or all of the following features.

1. Variable speed trigger switch
2. Lock-off button
3. Saw blade locking lever
4. Blade clamp
5. Shoe plate
6. Cutting action button
7. Battery

Use



Warning! Let the tool work at its own pace. Do not overload.

Charging the battery (Fig. A)

The battery needs to be charged before first use and whenever it fails to produce sufficient power on jobs that were easily done before.

The battery may become warm while charging; this is normal and does not indicate a problem.



Warning! Do not charge the battery at ambient temperatures below 10 °C or above 40 °C.

Recommended charging temperature: approx. 24 °C.

Note: The charger will not charge a battery if the cell temperature is below approximately 10 °C or above 40 °C. The battery should be left in the charger and the charger will begin to charge automatically when the cell temperature warms up or cools down.

Note: To ensure maximum performance and life of lithium-ion battery packs, charge the battery pack fully before first use.

- Plug the charger (8) into an appropriate outlet before inserting battery pack (7).
- The green charging light (8a) will blink continuously indicating that the charging process has started.
- The completion of charge will be indicated by the green charging light (8a) remaining ON continuously. The battery pack (7) is fully charged and may be removed and used at this time or left in the charger (8).
- Charge discharged batteries within 1 week. Battery life will be greatly diminished if stored in a discharged state.

Charger LED Modes

	<p>Charging: Green LED Intermittent</p>	
	<p>Fully Charged: Green LED Solid</p>	
	<p>Hot/Cold Pack Delay: Green LED Intermittent Red LED Solid</p>	

Note: The compatible charger(s) will not charge a faulty battery pack. The charger will indicate a faulty battery pack by refusing to light.

Note: This could also mean a problem with a charger. If the charger indicates a problem, take the charger and battery pack to be tested at an authorized service centre.

Leaving the battery in the charger

The charger and battery pack can be left connected with the LED glowing indefinitely. The charger will keep the battery pack fresh and fully charged.

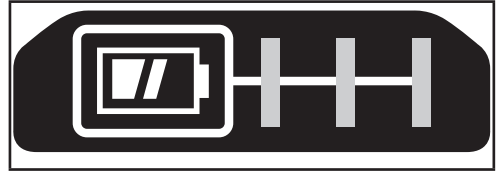
Hot/Cold Pack Delay

When the charger detects a battery that is too hot or too cold, it automatically starts a Hot/Cold Pack Delay, the green LED (8a) will flash intermittently, while the red LED (8b) will remain

on continuously, sus2019-10-22 charging until the battery has reached an appropriate temperature. The charger then automatically switches to the pack charging mode. This feature ensures maximum battery life.

Battery state of charge indicator (Fig. B)

The battery includes a state of charge indicator to quickly determine the extent of battery life as shown in figure B. By pressing the state of charge button (7a) you can easily view the charge remaining in the battery as illustrated in figure B.



Installing and Removing the Battery Pack from the tool



Warning! Make certain the lock-off button is engaged to prevent switch actuation before removing or installing battery.

To install battery pack (Fig. C)

- Insert battery pack firmly into tool until an audible click is heard as shown in figure C. Ensure battery pack is fully seated and fully latched into position.

To remove battery pack (Fig. C)

- Depress the battery release button (7b) as shown in figure C and pull battery pack out of tool.

Storage hook (Optional extra) (Fig. D)



Warning! To reduce the risk of serious personal injury, place the forward/reverse button in the lock-off position or turn tool off and disconnect battery pack before making any adjustments or removing/installing attachments or accessories. An accidental start-up can cause injury.



Warning! To reduce the risk of serious personal injury, ensure the screw (10) holding the storage hook is secure.

Note: When attaching or replacing the storage hook (9), use only the screw (10) that is provided. Be sure to securely tighten the screw.

If the hook is not desired at all, it can be removed from the tool.

To move the storage hook, remove the screw (10) that holds the storage hook (9) in place.

Note: Various trackwall hooks and storage configurations are available.

Please visit our website www.stanleytools.eu/3 for further information.

Assembly



Warning! Before assembly, remove the battery from the tool and make sure that the saw blade has stopped. Used saw blades may be hot.

Fitting and removing the saw blade (Fig. E)

- Hold the saw blade (11) with the teeth facing forward.
- Push the saw blade locking lever (3) downwards.
- Insert the shank of the blade fully into the blade clamp (4) as far as it will go.
- Release the lever.
- To remove saw blade (11), push the saw blade locking lever (3) downwards and pull the blade out.



Warning! The blade may become hot after use. Always wear gloves when removing a blade.

Switching on and off (Fig. F)

- To switch on, slide the lock off switch (2) to the left then pull and hold the variable speed trigger switch (1).
- To switch off, release the trigger switch (1).



Warning! Do not switch the tool on or off while under load.



Warning! Always slide the lock off switch (2) to the right, the locked position when the tool is not in use.

Variable speed control

The variable speed on/off switch offers a choice of speeds for greatly improved cutting rates in various materials.

- The speed is determined by the amount the trigger switch (1) is pulled.

Bevel cutting (Fig. G, H & I)

The shoe plate can be set to a left or right bevel angle of 45°.

To set the bevel angle:

- Loosen the shoe retaining bolt (12) with the hex key provided to unlock the shoe plate (5).
- Slide the shoe plate (5) forward to release it from the 0° detent.
- Rotate the shoe plate to the desired bevel angle (Fig. H).
- Slide the shoe plate backwards to engage the left or right detent.
- Tighten the shoe retaining bolt (12) with the hex key provided to lock the shoe plate (5) in the required position.

Note: The shoe can be beveled to the left or to the right and has detents at 45°.

Cutting action (Fig. J)

This jig saw is equipped with three cutting actions, two orbital and one straight. Orbital action has a more aggressive blade motion and is designed for cutting in soft materials like wood or plastic. Orbital action provides a faster cut, but with a less smooth cut across the material. In orbital action, the blade moves forward during the cutting stroke in addition to the up and down motion.



Warning! Metal or hardwoods should never be cut in orbital action.

- Slide the cutting action button (6) between the three cutting positions: 0, 1 and 2.
- Position 0 is for straight cutting.
- Positions 1 and 2 are for orbital cutting.
- The aggressiveness of the cut increases as the lever is adjusted from one to two, with two being the most aggressive cut.

Sawing

- Always hold the tool with both hands.
- Let the blade run freely for a few seconds before starting the cut.
- Apply only a gentle pressure to the tool while performing the cut.
- If possible, work with the shoe plate (5) pressed against the workpiece. This will improve tool control and reduce tool vibration, as well as prevent the blade from being damaged.

Hints for optimum use

General

- Use a high speed for wood, a medium speed for aluminium and PVC and a low speed for metals other than aluminium.

Sawing laminates

As the saw blade cuts on the upward stroke, splintering may occur on the surface closest to the shoe plate.

- Use a fine-tooth saw blade.
- Saw from the back surface of the workpiece.
- To minimise splintering, clamp a piece of scrap wood or hardboard to both sides of the workpiece and saw through this sandwich.

Sawing metal

Be aware that sawing metal takes much more time than sawing wood.

- Use a saw blade suitable for sawing metal. Use a fine-tooth saw blade for ferrous metals and a coarser saw blade for non-ferrous metals.

- When cutting thin sheet metal, clamp a piece of scrap wood to the back surface of the workpiece and cut through this sandwich.
- Spread a film of oil along the intended line of cut.

Accessories

The performance of your tool depends on the accessory used. STANLEY FATMAX accessories are engineered to high quality standards and designed to enhance the performance of your tool. By using these accessories you will get the very best from your tool.

This tool is suitable both for U-shank and T-shank saw blades.

Maintenance

Your tool has been designed to operate over a long period of time with a minimum of maintenance. Continuous satisfactory operation depends upon proper tool care and regular cleaning.



Warning! Before performing any maintenance, switch off and unplug the tool.

- Regularly clean the ventilation slots in your tool and charger using a soft brush or dry cloth.
- Regularly clean the motor housing using a damp cloth. Do not use any abrasive or solvent-based cleaner.
- Occasionally apply a drop of oil to the axle of the blade support roller.

Mains plug replacement (U.K. & Ireland only)

If a new mains plug needs to be fitted:

- Safely dispose of the old plug.
- Connect the brown lead to the live terminal in the new plug.
- Connect the blue lead to the neutral terminal.



Warning! No connection is to be made to the earth terminal. Follow the fitting instructions supplied with good quality plugs. Recommended fuse: 5 A.

Protecting the environment



Separate collection. Products and batteries marked with this symbol must not be disposed of with normal household waste.

Products and batteries contain materials that can be recovered or recycled reducing the demand for raw materials. Please recycle electrical products and batteries according to local provisions. Further information is available at www.2helpU.com

Technical data

SFMC600 (H1)		
Voltage	V_{dc}	18
No-load speed	min^{-1}	0 - 2500
Stroke length	mm	19
Max depth of cut		
Wood	mm	55
Steel	mm	8
Aluminium	mm	20
Weight	kg	2.62

Charger		SFMCB11	SFMCB12	SFMCB14
Input Voltage	V_{AC}	230	230	230
Output Voltage	V_{DC}	18	18	18
Current	A	1.25	2	4

Battery		SFMCB201	SFMCB202	SFMCB204	SFMCB206
Voltage	V_{DC}	18	18	18	18
Capacity	Ah	1.5	2.0	4.0	6.0
Type		Li-Ion	Li-Ion	Li-Ion	Li-Ion

Level of sound pressure according to EN62841:
Sound pressure (L_{pA}) 82 dB(A), uncertainty (K) 5 dB(A)
Sound power (L_{WA}) 93 dB(A), uncertainty (K) 5 dB(A)

Vibration total values (triax vector sum) according to EN62841:
Cutting boards ($a_{h,B}$) 4.9 m/s^2 , uncertainty (K) 1.5 m/s^2
Cutting sheet metal ($a_{h,M}$) 8.8 m/s^2 , uncertainty (K) 1.5 m/s^2

EC declaration of conformity

MACHINERY DIRECTIVE



Cordless Jigsaw - SFMCS600

Stanley Europe declares that these products described under "technical data" are in compliance with: 2006/42/EC, EN62841-1:2015, EN62841-2-11:2016

These products also comply with Directive 2014/30/EU and 2011/65/EU. For more information, please contact Stanley Europe at the following address or refer to the back of the manual.

The undersigned is responsible for compilation of the technical file and makes this declaration on behalf of Stanley Europe.

A.P. Smith

Technical Director of Engineering

STANLEY FATMAX Europe, Egide Walschaertsstraat14-18,
2800 Mechelen, Belgium

2019-10-22

Guarantee

STANLEY FATMAX is confident of the quality of its products and offers consumers a 12 month guarantee from the date of purchase. This guarantee is in addition to and in no way prejudices your statutory rights. The guarantee is valid within the territories of the Member States of the European Union and the European Free Trade Area.

To claim on the guarantee, the claim must be in accordance with STANLEY FATMAX Terms and Conditions and you will need to submit proof of purchase to the seller or an authorised repair agent. Terms and conditions of the STANLEY FATMAX 1 year guarantee and the location of your nearest authorised repair agent can be obtained on the Internet at www.2helpU.com, or by contacting your local STANLEY FATMAX office at the address indicated in this manual.

Please visit our website www.stanleytools.eu/3 to register your new STANLEY FATMAX product and receive updates on new products and special offers.

Verwendungszweck

Ihre STANLEY FATMAX Stichsäge wurde zum Sägen von Holz, Kunststoff und Metallblechen entwickelt. Dieses Gerät ist zum gewerblichen und privaten Einsatz vorgesehen.

Sicherheitshinweise**Allgemeine Sicherheitswarnhinweise für Elektrowerkzeuge**

Warnung! Beachten Sie alle Sicherheitshinweise, Anweisungen, Darstellungen und Daten, die Sie mit dem Gerät erhalten. Das Nichtbeachten der unten aufgeführten Warnhinweise und Anweisungen kann zu elektrischem Schlag, Brand und/oder schweren Verletzungen führen.

Bewahren Sie alle Warnhinweise und alle Anweisungen auf. Der Begriff „Elektrowerkzeug“ in den Warnhinweisen bezieht sich auf Ihr netzbetriebenes Elektrowerkzeug (mit Kabel) oder auf Ihr akkubetriebenes (kabelloses) Elektrowerkzeug.

1. Sicherheit im Arbeitsbereich

- a. **Halten Sie den Arbeitsbereich sauber und gut ausgeleuchtet.** Unaufgeräumte oder dunkle Bereiche begünstigen Unfälle.
- b. **Verwenden Sie die Geräte nicht in Umgebungen, in denen Explosionsgefahr z. B. aufgrund von brennbaren Flüssigkeiten, Gasen oder Staub besteht.** Elektrowerkzeuge erzeugen Funken, die den Staub oder die Dämpfe entzünden können.
- c. **Halten Sie Kinder und andere Personen während der Benutzung eines Geräts fern.** Ablenkung kann dazu führen, dass Sie die Kontrolle über das Gerät verlieren.

2. Elektrische Sicherheit

- a. **Der Netzstecker des Geräts muss in die Steckdose passen. Ändern Sie niemals den Stecker in irgendeiner Form.**
Verwenden Sie keinerlei Adapterstecker an geerdeten Elektrogeräten. Unveränderte Stecker und passende Steckdosen mindern die Gefahr eines elektrischen Schlages.
- b. **Vermeiden Sie Körperkontakt mit geerdeten Oberflächen von Rohren, Heizungen, Herden und Kühlschränken.** Es besteht eine erhöhte Gefahr für einen elektrischen Schlag, wenn Ihr Körper geerdet ist.
- c. **Halten Sie Geräte von Regen und Feuchtigkeit fern.** Wenn Wasser in das Elektrogerät eindringt, erhöht sich die Gefahr eines elektrischen Schlages.

- d. **Verwenden Sie das Kabel ordnungsgemäß. Verwenden Sie niemals das Kabel, um das Elektrogerät zu tragen oder durch Ziehen vom Netz zu trennen. Halten Sie das Kabel fern von Hitze, Öl, scharfen Kanten oder beweglichen Teilen.** Beschädigte oder verhedderte Kabel erhöhen die Gefahr eines elektrischen Schlages.
- e. **Verwenden Sie nur für den Außenbereich zugelassene Verlängerungskabel, wenn Sie mit dem Gerät im Freien arbeiten.** Die Verwendung von für den Außeneinsatz geeigneten Kabeln mindert die Gefahr eines elektrischen Schlages.
- f. **Wenn das Gerät in einer feuchten Umgebung verwendet werden muss, schließen Sie es unbedingt an eine Steckdose mit Fehlerstromschutzschalter (RCD).** Der Einsatz eines Fehlerstromschutzschalters mindert die Gefahr eines elektrischen Schlages.
3. **Persönliche Sicherheit**
- a. **Verwenden Sie das Gerät aufmerksam und vernünftig. Benutzen Sie kein Elektrowerkzeug, wenn Sie müde sind oder unter dem Einfluss von Drogen, Alkohol oder Medikamenten stehen.** Ein Moment der Unachtsamkeit beim Betrieb eines Elektrogeräts kann zu schweren Verletzungen führen.
- b. **Tragen Sie persönliche Schutzausrüstung. Tragen Sie immer einen Augenschutz.** Das Tragen persönlicher Schutzausrüstung, wie Staubmaske, rutschfeste Sicherheitsschuhe, Schutzhelm oder Gehörschutz, je nach Art und Einsatz des Elektrowerkzeuges, verringert das Risiko von Verletzungen.
- c. **Vermeiden Sie eine unbeabsichtigte Inbetriebnahme. Vergewissern Sie sich, dass der Schalter in der AUS-Position ist, bevor Sie das Gerät an die Stromversorgung und/oder an den Akku anschließen oder wenn Sie das Gerät aufnehmen oder tragen.** Wenn Sie beim Tragen des Elektrowerkzeuges den Finger am Schalter haben oder das Gerät eingeschaltet an die Stromversorgung anschließen, kann dies zu Unfällen führen.
- d. **Entfernen Sie alle Einstellschlüssel oder Werkzeuge, bevor Sie das Elektrogerät einschalten.** Werkzeuge oder Schlüssel, die an rotierenden Teilen des Elektrogerätes angebracht sind, können zu Verletzungen führen.
- e. **Vermeiden Sie eine anormale Körperhaltung. Sorgen Sie für einen sicheren Stand und halten Sie jederzeit das Gleichgewicht.** Dadurch können Sie das Elektrowerkzeug in unerwarteten Situationen besser kontrollieren.
- f. **Tragen Sie geeignete Kleidung. Tragen Sie keine weite Kleidung und keinen Schmuck. Halten Sie Ihre Haare und Kleidung von beweglichen Teilen fern.** Lose sitzende Kleidung, Schmuck oder lange Haare können sich in den beweglichen Teilen verfangen.
- g. **Falls Staubabsaug- und -fangvorrichtungen vorhanden sind, vergewissern Sie sich, dass diese angeschlossen sind und richtig verwendet werden.** Der Einsatz von Staubsaugern kann staubbedingte Gefahren mindern.
- h. **Werden Sie nicht durch häufigen Gebrauch von Werkzeugen unvorsichtig und ignorieren Sie niemals die Prinzipien des sicheren Umgangs mit Werkzeugen.** Eine unachtsame Handlung kann innerhalb von Sekundenbruchteilen zu schweren Verletzungen führen.
4. **Gebrauch und Pflege von Elektrowerkzeugen**
- a. **Überlasten Sie das Gerät nicht. Verwenden Sie das für Ihre Arbeit passende Elektrogerät.** Das richtige Gerät wird die Aufgabe besser und sicherer erledigen, wenn es bestimmungsgemäß verwendet wird.
- b. **Verwenden Sie das Gerät nicht, wenn der Ein-/Ausschalter nicht funktioniert.** Ein Elektrowerkzeug, das sich nicht mehr ein- oder ausschalten lässt, ist gefährlich und muss repariert werden.
- c. **Trennen Sie den Stecker vom Netz und/oder entfernen Sie die Akkus, falls abnehmbar, vom Elektrogerät, bevor Sie Einstellungen am Gerät vornehmen, Zubehör wechseln oder es aufbewahren. Diese Vorbeugemaßnahmen mindern die Gefahr, dass das Elektrogerät unbeabsichtigt startet.**
- d. **Bewahren Sie unbenutzte Geräte außerhalb der Reichweite von Kindern auf. Lassen Sie Geräte nicht von Personen benutzen, die damit nicht vertraut sind oder diese Anweisungen nicht gelesen haben.** Elektrogeräte sind in den Händen nicht geschulter Personen gefährlich.
- e. **Pflegen Sie Elektrowerkzeuge und Zubehör. Prüfen Sie, ob bewegliche Teile verzogen oder ausgeschlagen, ob Teile gebrochen oder in einem Zustand sind, der den Betrieb des Elektrogerätes beeinträchtigen kann. Bei Beschädigungen lassen Sie das Elektrogerät reparieren, bevor Sie es verwenden.** Viele Unfälle entstehen wegen mangelnder Wartung der Elektrogeräte.
- f. **Halten Sie Schneidwerkzeuge scharf und sauber.** Richtig gewartete Schneidwerkzeuge mit scharfen Klingen blockieren seltener und sind leichter unter Kontrolle zu halten.
- g. **Verwenden Sie Geräte, Zubehör, Einsätze usw. entsprechend diesen Anweisungen, und berücksichtigen Sie dabei die Arbeitsbedingungen und die auszuführende Arbeit.**

Wenn Sie das Elektrogerät für Aufgaben verwenden, die nicht bestimmungsgemäß sind, kann dies zu gefährlichen Situationen führen.

- h. Halten Sie Griffe und Oberflächen trocken, sauber und frei von Öl und Fett.** Rutschige Griffe und Oberflächen unterbinden die sichere Bedienbarkeit und Kontrolle über das Werkzeug in unerwarteten Situationen.

5. Gebrauch und Pflege von Akkuwerkzeugen

- a. Laden Sie die Akkus nur in Ladegeräten auf, die vom Hersteller angegeben wurden.** Für ein Ladegerät, das nur für eine bestimmte Akkuart geeignet ist, besteht Brandgefahr, wenn es mit anderen Akkus verwendet wird.
- b. Verwenden Sie nur die für das jeweilige Gerät vorgesehenen Akkus.** Die Verwendung anderer Akkus kann zu Verletzungen oder Bränden führen.
- c. Bewahren Sie den Akku bei Nichtbenutzung nicht in der Nähe metallischer Objekte wie Büroklammern, Münzen, Schlüsseln, Nägeln oder Schrauben auf, da diese eine Verbindung zwischen beiden Polen des Akkus herstellen können.** Durch den dadurch entstehenden Kurzschluss kann der Akku in Brand geraten.
- d. Bei falscher Anwendung kann Flüssigkeit aus dem Akku austreten. Vermeiden Sie den Kontakt damit. Bei unbeabsichtigtem Kontakt mit Wasser abspülen. Gelangt die Flüssigkeit in die Augen, ziehen Sie außerdem ärztliche Hilfe hinzu.** Austretende Akkuflüssigkeit kann zu Hautreizungen oder Verbrennungen führen.
- e. Verwenden Sie kein Akkupack oder Werkzeug, das beschädigt ist oder modifiziert wurde.** Beschädigte oder modifizierte Akkus können unvorhersehbare Reaktionen auslösen und zu Bränden, Explosionen oder Verletzungen führen.
- f. Setzen Sie das Akkupack oder Werkzeug keinem Feuer oder übermäßig hohen Temperaturen aus.** Die Belastung durch Feuer oder Temperaturen über 130 °C kann zur Explosion führen.
- g. Befolgen Sie alle Ladeanweisungen und laden Sie das Akkupack oder Werkzeug nicht außerhalb des in den Anweisungen festgelegten Temperaturbereichs auf.** Ein unsachgemäßer Ladevorgang oder Temperaturen außerhalb des festgelegten Bereichs können den Akku schädigen und die Brandgefahr erhöhen.

6. Service

- a. Lassen Sie das Gerät nur von qualifiziertem Fachpersonal und nur mit Originalersatzteilen reparieren. Damit wird sichergestellt, dass die Sicherheit des Gerätes erhalten bleibt.**

- b. Führen Sie niemals Wartungsarbeiten an beschädigten AKKUPACKS durch. Die Wartung von AKKUPACKS darf nur vom Hersteller selbst oder autorisierten Dienstleistern durchgeführt werden.**

Zusätzliche Sicherheitshinweise für Stichsagen und Handsägen

- **Halten Sie das Gerät an den isolierten Griffflächen fest, wenn Sie Arbeiten ausführen, bei denen verdeckte Kabel durch Schneidzubehör beschädigt werden könnten.** Der Kontakt des Schneidwerkzeugs mit einer spannungsführenden Leitung kann auch metallene Geräteteile unter Spannung setzen und zu einem elektrischen Schlag führen.
- **Sichern Sie das Werkstück zum Beispiel mit Einspannvorrichtungen auf einer stabilen Plattform.** Das Werkstück ist instabil, wenn es mit der Hand oder dem Körper abgestützt wird, was zum Verlust der Kontrolle führen kann.
- **Halten Sie Ihre Hände von der Schneidzone fern.** Greifen Sie niemals unter das zu schneidende Werkstück. Bewegen Sie Ihre Finger nicht in die Nähe des sich bewegenden Sägeblattes und dessen Klemme. Versuchen Sie nicht, die Säge zu stabilisieren, indem Sie diese am Sägeschuh halten.
- **Halten Sie die Sägeblätter scharf.** Stumpfe oder beschädigte Sägeblätter können dazu führen, dass die Säge unter Druck blockiert oder ausbricht. Verwenden Sie immer ein für das jeweilige Werkstück und die Art des Schnittes geeignetes Sägeblatt.
- **Achten Sie beim Sägen von Rohren oder Leitungen darauf, dass diese frei von Wasser, Stromkabeln und Ähnlichem sind.**
- **Berühren Sie das Werkstück oder das Sägeblatt nicht direkt nach dem Gebrauch.** Sie können sehr heiß werden.
- **Achten Sie auch auf nicht sichtbare Gefahren, wenn Sie in Wände, Böden oder Decken sägen. Prüfen Sie diese Stellen auf dahinterliegende Kabel oder Rohre.**
- **Das Sägeblatt bewegt sich auch dann noch, wenn Sie den Schalter losgelassen haben.** Schalten Sie das Gerät vor dem Ablegen stets aus, und warten Sie, bis das Sägeblatt zum Stillstand gekommen ist.



Warnung! Die Berührung und das Einatmen von Stäuben, die beim Sägen von Materialien entstehen, können beim Bediener und bei Zuschauern gesundheitliche Schäden verursachen. Tragen Sie eine speziell für den Schutz vor Staub und Dämpfen vorgesehene Staubmaske, und stellen Sie sicher, dass auch andere Personen entsprechend geschützt sind, die den Arbeitsplatz betreten oder sich dort aufhalten.

- Die bestimmungsgemäße Verwendung ist in dieser Betriebsanleitung beschrieben. Die Verwendung von Zubehör oder Anbauteilen, die nicht in dieser Anleitung empfohlen sind, sowie die Bedienung des Geräts in Abweichung von den in dieser Anleitung beschriebenen Verfahren kann zu Verletzungen und/oder Sachschäden führen.

Sicherheit von Anderen

- Dieses Gerät darf nicht von Personen (einschließlich Kindern) mit eingeschränkten körperlichen, sensorischen oder geistigen Fähigkeiten oder mangelnder Erfahrung und Wissen in Bezug auf dessen Gebrauch bedient werden, es sei denn, sie werden bei der Verwendung des Geräts von einer erfahrenen Person beaufsichtigt oder angeleitet.
- Kinder müssen beaufsichtigt werden, um sicherzustellen, dass sie nicht mit dem Gerät spielen.

Restrisiken.

Zusätzliche Restrisiken können auftreten, wenn das Werkzeug verwendet wird, das möglicherweise nicht in den Sicherheitswarnungen enthalten ist. Diese Risiken können aus Missbrauch, verlängerter Nutzung usw. resultieren. Selbst unter Beachtung der geltenden Sicherheitsvorschriften und des Einsatzes von Schutzvorrichtungen können bestimmte Risiken nicht vermieden werden. Diese sind:

- Verletzungen, die durch das Berühren von sich drehenden/bewegenden Teilen verursacht werden.
- Verletzungen, die durch das Austauschen von Teilen, Messern oder Zubehör verursacht werden.
- Verletzungen, die durch längeren Gebrauch eines Geräts verursacht werden. Bei der längeren Verwendung eines Werkzeugs ist sicherzustellen, dass regelmäßig Pausen eingelegt werden.
- Schwerhörigkeit.
- Gesundheitsrisiken durch das Einatmen von Staub beim Gebrauch des Geräts (beispielsweise bei Holzarbeiten, insbesondere Eiche, Buche und Pressspan).

Schwingung

Die in den Abschnitten „Technische Daten“ und „EU-Konformitätserklärung“ angegebenen Werte für die Vibrationsemission wurden mit einer Standard-Prüfmethode nach EN 62841 ermittelt und können zum Vergleich verschiedener Geräte herangezogen werden. Die erklärten Schwingungsemissionswerte können auch in einer vorläufigen Expositionsbewertung verwendet werden.



Warnung! Der Schwingungsemissionswert während der tatsächlichen Verwendung des Elektrowerkzeugs kann in Abhängigkeit von den Arten, auf die das Werkzeug verwendet wird, vom erklärten Wert abweichen. Das Schwingungsniveau kann das angegebene Niveau übersteigen.

Bei der Bewertung der Schwingungsexposition zur Festlegung der durch die Richtlinie 2002/44/EG erforderlichen Sicherheitsmaßnahmen zum Schutz von Personen, die bei ihrer Beschäftigung regelmäßig Elektrowerkzeuge verwenden, muss eine Schätzung der Schwingungsexposition die tatsächlichen Nutzungsbedingungen und die Art berücksichtigen, auf die das Werkzeug verwendet wird, einschließlich der Beachtung aller Teile des Betriebszyklus, wie die Male, die das Werkzeug ausgeschaltet wird und wenn es im Ruhemodus läuft zusätzlich zur Auslösezeit.

Etiketten am Werkzeug

Am Gerät sind folgende Warnsymbole angebracht:



Warnung! Zur Reduzierung der Verletzungsgefahr muss der Nutzer die Betriebsanleitung lesen.

Zusätzliche Sicherheitshinweise für Akkus und Ladegeräte

Akkus

- Keinesfalls versuchen, den Akku zu öffnen.
- Achten Sie darauf, dass der Akku nicht mit Wasser in Berührung kommt.
- Nicht bei Temperaturen über 40 °C lagern.
- Laden Sie den Akku nur bei Umgebungstemperaturen von 10 °C bis 40 °C.
- Verwenden Sie ausschließlich das mitgelieferte Ladegerät.
- Bei der Entsorgung von Akkus oder Batterien die Hinweise im Abschnitt „Umweltschutz“ beachten.



Versuchen Sie nie, beschädigte Akkus aufzuladen.

Ladegeräte

- Verwenden Sie das Stanley Fat Max Ladegerät nur für den Akku des Werkzeugs, mit dem es geliefert wurde. Andere Akkus könnten platzen und Sachschäden oder Verletzungen verursachen.
- Versuchen Sie keinesfalls, nicht aufladbare Batterien zu laden.
- Lassen Sie beschädigte Kabel sofort austauschen.
- Achten Sie darauf, dass das Ladegerät nicht mit Wasser in Berührung kommt.
- Versuchen Sie nicht, das Ladegerät zu öffnen.
- Nehmen Sie am Ladegerät keine Veränderungen vor.



Das Ladegerät darf nur im Innenbereich verwendet werden.



Vor Gebrauch die Anleitung lesen.

Elektrische Sicherheit



Das Ladegerät ist schutzisoliert, daher ist keine Erdleitung erforderlich. Stellen Sie sicher, dass die Netzspannung der auf dem Typenschild des Geräts angegebenen Spannung entspricht. Ersetzen Sie das Ladegerät keinesfalls durch ein normales Netzkabel.

- Bei einer Beschädigung des Netzkabels muss dieses durch den Hersteller oder eine STANLEY FATMAX Vertragswerkstatt ausgetauscht werden, um mögliche Gefahren zu vermeiden.

Merkmale

Dieses Werkzeug umfasst einige oder alle der folgenden Merkmale.

1. Drehzahl-Regelschalter
2. Arretierungstaste
3. Hebel für Sägeblattverriegelung
4. Sägeblattklemme
5. Grundplatte
6. Schalter zum Einstellen der Sägebewegung
7. Akku

Verwendung



Warnung! Lassen Sie das Werkzeug die Geschwindigkeit selbst bestimmen. Nicht überlasten.

Laden des Akkus (Abb. A)

Der Akku muss vor erstmaliger Benutzung und immer dann aufgeladen werden, wenn das Gerät nicht mehr die volle Leistung bringt.

Während des Ladevorgangs kann der Akku warm werden. Das ist normal.



Warnung! Laden Sie den Akku nicht, wenn die Umgebungstemperatur unter 10 °C oder über 40 °C liegt. Empfohlene Ladetemperatur: ca. 24 °C.

Hinweis: Ein Akku, bei dem die Temperatur der Batteriezellen unter ca. 10 °C oder über 40 °C liegt, wird vom Ladegerät nicht geladen.

Lassen Sie in diesem Fall den Akku im Ladegerät. Das Ladegerät beginnt automatisch mit dem Ladevorgang, sobald sich die Zellen erwärmt bzw. abgekühlt haben.

Hinweis: Um die maximale Leistung und Lebensdauer der Li-Ionen-Akkus zu gewährleisten, laden Sie das Akkupack vor der ersten Verwendung vollständig auf.

- Setzen Sie das Ladegerät (8) in eine geeignete Steckdose ein, bevor Sie den Akku (7) einsetzen.
- Die grüne Leuchte (Aufladen) (8a) blinkt dauerhaft und zeigt dadurch an, dass der Ladevorgang begonnen wurde.
- Der Abschluss des Ladevorgangs wird dadurch angezeigt, dass das grüne Licht (8a) dauerhaft leuchtet. Der Akku (7) ist vollständig aufgeladen und kann jetzt entnommen oder verwendet oder in der Ladestation (8) gelassen werden.
- Ein entladener Akku sollte innerhalb einer Woche wieder aufgeladen werden. Die Lebensdauer des Akkus sinkt drastisch, wenn dieser in entladene Zustand aufbewahrt wird.

LED-Modi des Ladegeräts

	Laden: Grüne LED - mit Unterbrechungen	
	Vollständig aufgeladen: Grüne LED - dauerhaft	
	Verzögerung heißer/kalter Akku: Grüne LED - mit Unterbrechungen Rote LED - dauerhaft	

Hinweis: Diese/s kompatible/n Ladegerät/e lädt keine defekten Akkus auf. Das Ladegerät zeigt einen defekten Akku dadurch an, dass es nicht leuchtet.

Hinweis: Dies kann auch auf ein Problem mit dem Ladegerät hinweisen. Wenn das Ladegerät auf ein Problem hinweist, bringen Sie es zusammen mit dem Akku zur Überprüfung zu einer autorisierten Servicestelle.

Belassen des Akkus im Ladegerät

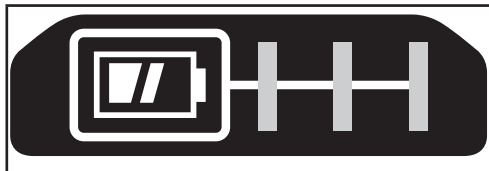
Sie können den Akku auf im Ladegerät belassen. In diesem Fall leuchtet die LED-Anzeige dauerhaft. Das Ladegerät hält den Akku in einem vollständig geladenen Zustand.

Verzögerung heißer/kalter Akku

Wenn das Ladegerät einen zu heißen oder zu kalten Akku erkennt, startet es automatisch die Verzögerung heißer/kalter Akku. Die grüne LED (8a) blinkt dann mit Unterbrechungen, während die rote LED (8b) kontinuierlich leuchtet und den Ladevorgang bis zum Ende des Ladevorgangs unterbricht, bis der Akku eine angemessene Temperatur erreicht hat. Das Ladegerät schaltet dann automatisch in den Lademodus. Diese Funktion gewährleistet eine maximale Lebensdauer des Akkus.

Akkuladestandsanzeige (Abb. B)

Der Akku besitzt eine Ladestandsanzeige, mit der die Lebensdauer der Batterie wie in Abbildung B dargestellt schnell ermittelt werden kann. Durch Drücken der Ladezustands-Taste (7a) können Sie die im Akku verbleibende Ladung wie in Abbildung B dargestellt anzeigen.



Anbringen und Entfernen des Akkus

Warnung! Der Verriegelungsknopf muss eingerastet sein, damit keine unbeabsichtigte Bedienung des Ein-/Aus-Schalters vor dem Anbringen bzw. Entfernen des Akkus erfolgen kann.

Anbringen des Akkus (Abb. C)

- Setzen Sie den Akku fest in das Werkzeug ein, bis ein Klicken zu hören ist, wie in Abbildung C gezeigt wird. Achten Sie darauf, dass der Akku vollständig eingesetzt und eingerastet ist.

Entfernen des Akkus (Abb. C)

- Drücken Sie den Akku-Löseknopf (7b) wie in Abbildung C gezeigt und ziehen Sie den Akku aus dem Werkzeug.

Aufbewahrungshaken (Optionales Zubehör) (Abb. D)

Warnung! Um die Gefahr schwerer Verletzungen zu mindern, stellen Sie den Rechts-/Links-Schalter in die Verriegelungsposition oder schalten Sie das Gerät aus und entfernen Sie den Akku, bevor Sie Einstellungen vornehmen oder Anbaugeräte oder Zubehör anbringen oder entfernen. Ungewolltes Anlaufen kann Verletzungen verursachen.

Warnung! Stellen Sie zur Vermeidung von schweren Verletzungen sicher, dass die Schraube (10), die den Aufbewahrungshaken hält, sicher ist.

Hinweis: Verwenden Sie beim Befestigen oder Austauschen des Aufbewahrungshakens (9) nur die mitgelieferte Schraube (10). Stellen Sie sicher, dass die Schraube gut festgezogen ist.

Wenn der Haken gar nicht verwendet werden soll, kann er vom Werkzeug abgenommen werden.

Um die Position des Aufbewahrungshakens zu ändern, entfernen Sie die Schraube (10), durch die der Aufbewahrungshaken (9) befestigt ist.

Hinweis: Verschiedene Trackwall-Haken und Aufbewahrungskonfigurationen sind verfügbar. Weitere Informationen finden Sie auf unserer Website unter www.stanleytools.eu/3.

Montage

Warnung! Entfernen Sie vor der Montage den Akku aus dem Gerät, und stellen Sie sicher, dass das Sägeblatt zum Stillstand gekommen ist. Nach Verwendung der Handsäge kann das Sägeblatt heiß sein.

Anbringen und Entfernen des Sägeblatts (Abb. E)

- Halten Sie das Sägeblatt (11) mit den Zähnen nach vorne.
- Drücken Sie den Hebel für die Sägeblattverriegelung (3) nach unten.
- Setzen Sie den Schaft des Sägeblatts vollständig bis zum Anschlag in die Sägeblattklemme (4) ein.
- Geben Sie den Hebel frei.
- Drücken Sie zum Entfernen des Sägeblatts (11) den Hebel für die Sägeblattverriegelung (3) nach unten und ziehen Sie das Sägeblatt heraus.

Warnung! Das Sägeblatt kann nach dem Betriebs heiß sein. Tragen Sie stets Handschuhe beim Entfernen von Sägeblättern.

Ein- und Ausschalten (Abb. F)

- Bewegen Sie die Einschaltsperrung (2) nach links, und betätigen Sie den Auslöser mit Geschwindigkeitsregler (1), um das Gerät einzuschalten.
- Lassen Sie zum Ausschalten des Geräts den Auslöser (1) wieder los.

Warnung! Schalten Sie das Gerät nicht unter Last ein oder aus.

Warnung! Bewegen Sie die Einschaltsperrung (2) stets nach rechts in die verriegelte Stellung, wenn das Gerät nicht verwendet wird.

Geschwindigkeitsregler

Mithilfe des Ein-/Ausschalters mit Geschwindigkeitsregler können unterschiedliche Schnittgeschwindigkeiten für ein besseres Sägeergebnis bei verschiedenen Materialien eingestellt werden.

- Die Geschwindigkeit des Geräts wird mit dem Auslöser (1) geregelt.

Gehungsschnitte (Abb. G, H & I)

Der Sägeschuh kann in einem Winkel von 45° nach links und rechts geschwenkt werden.

Einstellen des Gehrungswinkels:

- Lösen Sie die Sägeschuhschraube (12) mit dem mitgelieferten Inbusschlüssel, damit Sie den Sägeschuh (5) bewegen können.
- Bewegen Sie den Sägeschuh (5) nach vorne, um diesen aus der 0°-Ausgangsposition zu lösen.
- Stellen Sie den Sägeschuh auf den gewünschten Winkel ein (Abb. H).
- Bewegen Sie den Sägeschuh nach hinten in die linke bzw. rechte Anschlagstellung.
- Ziehen Sie die Sägeschuhschraube (12) mit dem mitgelieferten Inbusschlüssel fest, um den Sägeschuh (5) in der gewünschten Stellung zu arretieren.

Hinweis: Der Sägeschuh kann nach links oder rechts gekippt werden und rastet bei 45° ein.

Sägebewegung (Abb. J)

Die Stichsäge verfügt über drei Sägebewegungen, zwei kreisende und eine gerade Bewegung. Die orbitale Funktion besitzt eine Sägeblattbewegung mit mehr Kraft und dient zum Sägen weicher Werkstoffe wie Holz oder Kunststoff. Die orbitale Funktion ermöglicht schnellere Schnitte, die jedoch im Werkstoff weniger glatt verlaufen. Bei der orbitalen Funktion bewegt sich das Sägeblatt während des Sägens neben der Auf- und Ab-Bewegung zusätzlich nach vorne.



Warnung! Metall oder Hartholz darf keinesfalls mit der orbitalen Funktion gesägt werden.

- Stellen Sie den Schalter zum Einstellen der Sägebewegung (6) in eine der drei Sägepositionen: 0, 1 und 2.
- Position 0 für gerade Schnitte.
- Position 1 und 2 für kreisende Schnitte.
- Die Aggressivität der Sägebewegung nimmt von Position eins bis zwei zu, mit zwei als aggressivster Schnitfführung.

Sägen

- Halten Sie das Gerät immer mit beiden Händen.
- Lassen Sie das Sägeblatt einige Sekunden frei schwingen, bevor Sie mit der Arbeit beginnen.
- Üben Sie während des Sägens nur einen geringen Druck auf das Gerät aus.
- Drücken Sie die den Sägeschuh (5) wenn möglich gegen das Werkstück. So erhalten Sie eine bessere Kontrolle über das Werkzeug, reduzieren die Vibrationen und verhindern, dass das Sägeblatt beschädigt wird.

Hinweise für einen optimalen Gebrauch Allgemeines

- Wählen Sie für Holz eine hohe, für Aluminium und PVC eine mittlere und für andere Metalle eine niedrige Geschwindigkeit.

Sägen von Laminat

Da der Schnittvorgang bei der Aufwärtsbewegung des Sägeblatts erfolgt, kann die Oberfläche des Werkstücks splintern. Es entsteht dann eine unregelmäßige, ausgefranste Schnittkante.

- Verwenden Sie ein Sägeblatt mit feiner Zahnung.
- Drehen Sie das Werkstück um, und setzen Sie die Säge an der Unterseite an.
- Ausgefranste Kanten und Absplitterungen können Sie auch vermeiden, indem Sie das zu sägende Werkstück zwischen zwei Holz- oder Pressspanplatten einspannen und dieses "Sandwich" sägen.

Sägen von Metall

Beim Sägen von Metall erfolgt der Vorschub wesentlich langsamer als bei Werkstücken aus Holz.

- Verwenden Sie ein Sägeblatt, das zum Sägen von Metall geeignet ist. Verwenden Sie bei eisenhaltigen Metallen ein Sägeblatt mit feinen Zähnen und bei Metallen ohne Eisenanteil ein grobes Sägeblatt.
- Spannen Sie dünne Metallbleche zum Sägen auf eine Holz- oder Pressspanplatte.
- Bringen Sie einen dünnen Ölfilm entlang der beabsichtigten Schnittlinie auf.

Zubehör

Das verwendete Zubehör hat wesentlichen Einfluss auf die Leistung des Geräts. Zubehörteile von STANLEY FATMAX erfüllen höchste Qualitätsstandards und wurden speziell für die Verwendung mit Ihrem Gerät entwickelt. Bei Verwendung dieses Zubehörs erhalten Sie stets optimale Ergebnisse. Das Gerät ist für Sägeblätter mit U- und T-Schaft geeignet.

Wartung

Ihr Gerät wurde im Hinblick auf eine lange Lebensdauer und einen möglichst geringen Wartungsaufwand entwickelt. Ein kontinuierlicher, zufriedenstellender Betrieb hängt von der richtigen Pflege des Gerätes und seiner regelmäßigen Reinigung ab.



Warnung! Schalten Sie das Gerät vor der Durchführung von Pflege-, Reinigungs- und Wartungsarbeiten aus, und ziehen Sie den Netzstecker.

- Reinigen Sie regelmäßig die Lüftungsschlitze des Geräts und des Ladegeräts mit einer weichen Bürste oder einem trockenen Tuch.
- Reinigen Sie das Motorgehäuse regelmäßig mit einem feuchten Tuch. Verwenden Sie keine scheuerndes oder lösungsmittelbasiertes Reinigungsmittel.
- Schmieren Sie gelegentlich die Achse der Sägeblattführungsrolle mit einem Tropfen Öl.

Umweltschutz



Abfalltrennung. Produkte und Akkus mit diesem Symbol dürfen nicht mit dem normalen Hausmüll entsorgt werden.

Produkte und Batterien enthalten Materialien, die zurückgewonnen oder recycelt werden können und die Nachfrage nach Rohstoffen reduzieren.

Bitte recyceln Sie Elektroprodukte und Batterien gemäß den lokalen Bestimmungen. Weitere Informationen finden Sie auf www.2helpU.com.

Technische Daten

		SFMC600 (H1)
Spannung	V_{dc}	18
Leerlaufdrehzahl	min^{-1}	0 - 2500
Hub	mm	19
Maximale Schnitttiefe		
Holz	mm	55
Stahl	mm	8
Aluminium	mm	20
Gewicht	kg	2,62

Ladegerät		SFMCB11	SFMCB12	SFMCB14
Eingangsspannung	V_{AC}	230	230	230
Ausgangsspannung	V_{DC}	18	18	18
Stromstärke	A	1,25	2	4

Akku		SFMCB201	SFMCB202	SFMCB204	SFMCB206
Spannung	V_{DC}	18	18	18	18
Kapazität	Ah	1,5	2,0	4,0	6,0
Typ		Li-Ion	Li-Ion	Li-Ion	Li-Ion

Schalldruckpegel gemäß EN62841:
Schalldruck (L_{pA}) 82 dB(A), Unsicherheitsfaktor (K) 5 dB(A)
Schalleistung (L_{WA}) 93 dB(A), Unsicherheitsfaktor (K) 5 dB(A)

Gesamtvibration (Triax-Vektorsumme) gemäß EN62841:
Schneiden von Brettern ($a_{h, B}$) 4,9 m/s^2 , Unsicherheitsfaktor (K) 1,5 m/s^2
Schneiden von Metallblech ($a_{h, M}$) 8,8 m/s^2 , Unsicherheitsfaktor (K) 1,5 m/s^2

EG-Konformitätserklärung

MASCHINENRICHTLINIE



Kabellose Stichsäge - SFMC600

Stanley Europe erklärt hiermit, dass diese unter „Technische Daten“ beschriebenen Produkte die folgenden Vorschriften erfüllen: 2006/42/EC, EN62841-1:2015, EN62841-2:11:2016

Diese Produkte erfüllen auch die Richtlinien 2014/30/EU und 2011/65/EU. Für weitere Informationen wenden Sie sich bitte an Stanley Europe unter der folgenden Adresse oder schauen Sie auf der Rückseite dieser Betriebsanleitung nach.

Der Unterzeichnete ist verantwortlich für die Zusammenstellung des technischen Dossiers und gibt diese Erklärung im Namen von Stanley Europe ab.

A.P. Smith

Technical Director of Engineering

STANLEY FATMAX Europe, Egide Walschaertsstraat 14-18,

2800 Mechelen, Belgien

2019-10-22

Garantie

STANLEY FATMAX vertraut auf die Qualität der eigenen Geräte und bietet dem Käufer eine außergewöhnliche Garantie von 12 Monaten ab Kaufdatum. Diese Garantie ist ergänzend und beeinträchtigt keinesfalls ihre gesetzlichen Ansprüche. Diese Garantie gilt innerhalb der Staatsgebiete der Mitgliedstaaten der Europäischen Union und der Europäischen Freihandelszone.

Zur Inanspruchnahme dieser Garantie muss sie den allgemeinen Geschäftsbedingungen von STANLEY FATMAX entsprechen und dem Verkäufer bzw. der Vertragswerkstatt ist ein Kaufnachweis vorzulegen. Die Bedingungen für die STANLEY FATMAX-Garantie von 1 Jahr und den Standort Ihrer nächstgelegenen Vertragswerkstatt finden Sie im Internet unter www.2helpU.com oder indem Sie sich an die lokale STANLEY FATMAX-Niederlassung wenden, deren Adresse Sie in dieser Anleitung finden.

Ihr neues STANLEY FATMAX-Produkt können Sie auf unserer Website unter www.stanleytools.eu/3 registrieren. Dort erhalten Sie auch Informationen über neue Produkte und Sonderangebote.

Utilisation prévue

Votre scie sauteuse STANLEY FATMAX DECKER a été spécialement conçue pour scier le bois, le plastique et la tôle. Cet outil a été conçu pour les professionnels et les particuliers.

Consignes de sécurité

Avertissements de sécurité générale propres aux outils électriques



Avertissement ! Lisez toutes les avertissements sur la sécurité, **toutes les instructions, les illustrations et les spécifications fournies avec cet outil électrique.** Le non-respect des avertissements et des instructions listés ci-dessous peut entraîner des décharges électriques, des incendies et/ou de graves blessures.

Conservez tous les avertissements et toutes les instructions afin de pouvoir vous y référer dans le futur. Le terme "outil électrique" mentionné dans tous les avertissements listés ci-dessous fait référence à vos outils électriques fonctionnant sur secteur (avec câble) ou sur pile ou batterie (sans fil).

1. Sécurité de la zone de travail

- a. **Gardez la zone de travail propre et bien éclairée.** Les zones sombres ou encombrées sont propices aux accidents.
- b. **N'utilisez pas d'outils électriques dans un environnement présentant des risques d'explosion ou en présence de liquides, gaz ou poussières inflammables.** Les outils électriques créent des étincelles qui peuvent enflammer les poussières et les fumées.
- c. **Maintenez les enfants et les autres personnes à l'écart lorsque les outils électriques sont en marche.** Toute distraction peut vous faire perdre le contrôle de l'outil.

2. Sécurité électrique

- a. **Les prises des outils électriques doivent correspondre à la prise de courant murale. Ne modifiez jamais la prise d'aucune sorte.** N'utilisez aucun adaptateur avec des outils électriques reliés à la terre. L'utilisation de prises d'origine et de prises murales appropriées permet de réduire le risque de décharge électrique.

- b. **Évitez tout contact physique avec des surfaces reliées à la terre comme des tuyaux, des radiateurs, des fours et des réfrigérateurs par exemple.** Il y a sinon un risque accru de décharge électrique si votre corps est lui-même relié à la terre.
- c. **N'exposez pas les outils électriques à la pluie, ni à l'humidité.** Le risque de décharge électrique augmente si de l'eau pénètre dans un outil électrique.
- d. **Ne tirez pas sur le cordon d'alimentation. N'utilisez jamais le cordon pour transporter, tirer ou débrancher l'outil électrique. Maintenez le cordon à l'écart de la chaleur, des substances grasses, des bords tranchants ou des pièces mobiles.** Les cordons endommagés ou emmêlés augmentent les risques de décharges électriques.
- e. **Si vous utilisez un outil électrique à l'extérieur, utilisez une rallonge homologuée pour les travaux extérieurs.** L'utilisation d'une rallonge électrique homologuée pour les travaux en extérieur réduit le risque de décharge électrique.
- f. **Si l'utilisation d'un outil électrique dans un endroit humide est inévitable, utilisez une alimentation électrique protégée par un disjoncteur différentiel à courant résiduel (DDR).** L'utilisation d'un DDR réduit le risque de choc électrique.

3. Sécurité des personnes

- a. **Restez vigilant, surveillez ce que vous faites et faites preuve de bon sens lorsque vous utilisez un outil électrique.** N'utilisez pas d'outils électriques si vous êtes fatigué ou sous l'influence de drogue, d'alcool ou de médicaments. Tout moment d'inattention pendant l'utilisation d'un outil électrique peut engendrer de graves blessures.
- b. **Portez des équipements de protection individuelle. Portez toujours une protection oculaire.** Les équipements de protection comme les masques à poussière, les chaussures de sécurité antidérapantes, les casques ou les protections auditives utilisés à bon escient réduisent le risque de blessures.
- c. **Empêchez tout démarrage intempestif. Assurez-vous que l'interrupteur est en position Arrêt avant de raccorder l'outil à l'alimentation électrique et/ou au bloc-batterie ou avant de ramasser ou de transporter l'outil.** Le fait de transporter les outils électriques le doigt sur l'interrupteur ou d'alimenter les outils électriques dont l'interrupteur est déjà en position de marche augmente le risque d'accidents.
- d. **Retirez toutes les clés ou pinces de réglage avant de mettre l'outil en marche.** Une clé ou une pince restée fixée sur une pièce rotative de l'outil électrique peut engendrer des blessures.

- e. **Ne vous penchez pas. Gardez les pieds bien ancrés au sol et conservez votre équilibre en permanence.** Cela permet de mieux maîtriser l'outil électrique en cas de situations imprévues.
- f. **Portez des vêtements appropriés. Ne portez aucuns vêtements amples, ni bijoux. Gardez vos cheveux et vos vêtements à l'écart des pièces mobiles.** Les vêtements amples, les bijoux ou les cheveux longs peuvent être happés par les pièces mobiles.
- g. **Si vous disposez de dispositifs pour l'extraction et la récupération des poussières, veillez à ce qu'ils soient correctement raccordés et utilisés.** L'utilisation de dispositifs récupérateurs de poussières réduit les risques liés aux poussières.
- h. **Ne pensez pas être si familiarisé avec les outils après en avoir utilisés à de nombreuses reprises, au point de ne plus rester vigilant et d'en oublier les consignes de sécurité.** Toute action imprudente peut provoquer de graves blessures en une fraction de seconde.
4. **Utilisation et entretien d'un outil électrique**
- a. **Ne sur-sollicitez pas l'outil électrique. Utilisez un outil approprié, adapté au travail à réaliser.**
Un outil adapté fonctionne mieux, de façon plus sûre et à la cadence pour laquelle il a été conçu.
- b. **N'utilisez pas l'outil électrique si l'interrupteur ne permet plus de le mettre en marche et de l'éteindre.**
Tout outil électrique qui ne peut plus être commandé par son interrupteur est dangereux et il doit être réparé.
- c. **Débranchez la prise du secteur et/ou retirez le bloc-batterie de l'outil électrique s'il est amovible, avant d'effectuer tout réglage, de changer un accessoire ou de ranger l'outil électrique.** Ces mesures de sécurité préventives réduisent le risque de démarrage accidentel de l'outil électrique.
- d. **Rangez les outils électriques non utilisés hors de portée des enfants et ne laissez aucune personne ne connaissant pas ces outils ou leurs instructions d'utilisation les faire fonctionner.** Les outils électriques peuvent être dangereux entre des mains inexpérimentées.
- e. **Entretenez vos outils électriques et leurs accessoires. Vérifiez que les pièces mobiles sont alignées correctement et qu'elles ne sont pas coincées. Vérifiez qu'aucune pièce n'est cassée et contrôlez l'absence de toute autre condition qui pourrait nuire au bon fonctionnement de l'outil. En cas de dommage, faites réparer l'outil électrique avant de le réutiliser.**
De nombreux accidents sont provoqués par des outils électriques mal entretenus.
- f. **Maintenez les outils de coupe affûtés et propres.** Des outils de coupe bien entretenus et affûtés sont moins susceptibles de rester coincés et sont plus faciles à contrôler.
- g. **Utilisez l'outil électrique, les accessoires et les embouts d'outils conformément à ces instructions, en tenant compte des conditions de travail et de la tâche à effectuer.**
L'utilisation d'un outil électrique à des fins autres que celles pour lesquelles il a été prévu engendre des situations dangereuses.
- h. **Veillez à garder les poignées et les surfaces de préhension restent sèches, propres et exemptes d'huile et de graisse.** Des poignées et des surfaces de préhension glissantes ne permettent pas de manipuler et de contrôler l'outil correctement en cas de situations inattendues.
5. **Utiliser et entretenir les outils fonctionnant sur batterie**
- a. **N'effectuez la recharge qu'à l'aide du chargeur spécifié par le fabricant.** Un chargeur adapté pour un type de bloc-batterie peut engendrer un risque d'incendie s'il est utilisé avec un bloc-batterie différent.
- b. **N'utilisez l'outil électrique qu'avec les blocs-batteries spécifiquement prévus.** L'utilisation d'autres blocs-batteries peut créer un risque de blessures et d'incendie.
- c. **Quand le bloc-batterie n'est pas utilisé, éloignez-le d'objets en métal comme des agrafes, des pièces, des clés, des clous, des vis ou autres petits objets qui pourraient établir une connexion d'une borne à l'autre.**
La mise en court-circuit des bornes d'une batterie peut provoquer des brûlures ou un incendie.
- d. **Dans des conditions extrêmes, du liquide peut être éjecté de la batterie. Évitez tout contact. En cas de contact accidentel, rincez à l'eau. En cas de contact avec les yeux, consultez en plus un médecin.** Le liquide sortant de la batterie peut provoquer des irritations ou des brûlures.
- e. **N'utilisez jamais un bloc-batterie ou un outil qui est endommagé ou qui a été modifié.** Les batteries endommagées ou modifiées peuvent avoir un comportement imprévisible qui peut conduire à un incendie, une explosion ou à un risque de blessure.
- f. **N'exposez pas le bloc-batterie ou l'outil au feu ou à des températures excessives. L'exposition au feu ou à des températures dépassant 130 °C peut provoquer une explosion.**
- g. **Respectez toutes les consignes de mise en charge et ne rechargez pas le bloc-batterie ou l'outil en dehors de la plage de températures spécifiée dans les instructions.**

Une mise en charge mal effectuée ou à des températures hors de la plage spécifiée peut endommager le bloc-batterie et augmenter le risque d'incendie.

6. Révision/Réparation

- a. **Faites réviser/réparer votre outil électrique par une personne qualifiée, n'utilisant que des pièces de rechange d'origine.** Cela permet de garantir la sûreté de l'outil électrique.
- b. **Ne réparez jamais un bloc-BATTERIE endommagé. Les réparations sur les blocs-BATTERIES ne doivent être effectuées que par le fabricant ou l'un de ses prestataires de services agréés.**

Consignes de sécurité supplémentaires propres aux scies sauteuses et aux scies sabres

- **Tenez l'outil électrique par ses surfaces de préhension isolées lorsque vous l'utilisez dans des endroits où l'accessoire de coupe peut entrer en contact avec des fils cachés.** Tout contact de l'accessoire de coupe avec un fil sous tension peut mettre les parties métalliques exposées de l'outil sous tension et provoquer une décharge électrique à l'utilisateur.
- **Utilisez des pinces ou tout autre moyen pratique pour fixer et soutenir l'ouvrage sur une plateforme stable.** Tenir l'ouvrage à la main ou contre votre corps le rend instable et peut conduire à une perte de contrôle.
- **Éloignez vos mains de la zone de coupe.** N'avancez jamais les mains sous l'ouvrage pour quelque raison que ce soit. Ne passez pas vos doigts ou vos pouces à proximité de la lame sabre et du dispositif de fixation de la lame. Ne cherchez pas à stabiliser la scie en attrapant la semelle.
- **Maintenez les lames bien affûtées.** Les lames émoussées ou endommagées peuvent faire dévier ou bloquer la scie pendant le fonctionnement. Utilisez toujours le type de lame de scie adapté à la matière à scier.
- **Avant de couper un tuyau ou une conduite, assurez-vous qu'ils ne contiennent ni eau, ni fil électrique, etc.**
- **Ne touchez pas l'ouvrage ou la lame immédiatement après avoir utilisé l'outil.** Ils peuvent être très chauds.
- **Prenez garde aux risques cachés. Avant de découper des murs, des planchers ou des plafonds, vérifiez l'emplacement des câbles et tuyaux.**
- **Le va-et-vient de la lame continue après avoir relâché l'interrupteur.** Éteignez toujours l'outil et attendez que la lame se soit complètement arrêtée avant de reposer l'outil.



Avertissement ! Tout contact ou inhalation de poussières pendant la découpe peut présenter un danger pour la santé de l'utilisateur ainsi que des personnes autour. Portez un masque anti-poussière spécialement conçu pour vous protéger des poussières et des fumées et veillez à ce que les personnes qui se trouvent à l'intérieur de la zone de travail ou qui y pénètrent soient également protégées.

- L'utilisation prévue est décrite dans ce manuel d'utilisation. L'utilisation d'un accessoire ou d'un équipement non spécifié ou l'utilisation de cet outil à d'autres fins que celles recommandées dans ce manuel d'utilisation présentent un risque de blessures et/ou de dommages matériels.

Sécurité des personnes

- Cet outil ne peut pas être utilisé par des personnes (y compris des enfants) ayant des capacités mentales, sensorielles ou physiques réduites, ou celles manquant d'expérience et de connaissances, à moins qu'elles ne soient encadrées ou qu'elles n'aient été formées à l'utilisation de l'outil par une personne responsable de leur sécurité.
- Les enfants doivent être surveillés pour garantir qu'ils ne jouent pas avec l'appareil.

Risques résiduels.

Certains risques résiduels autres que ceux mentionnés dans les avertissements sur la sécurité peuvent survenir en utilisant l'outil. Ces risques peuvent être provoqués par une utilisation incorrecte, prolongée, etc.

Malgré l'application de toutes les réglementations sur la sécurité pertinentes et la mise en œuvre de dispositifs de sécurité, certains risques résiduels ne peuvent pas être évités. Ils comprennent :

- Les blessures dues au contact avec des pièces mobiles/ en rotation.
- Les blessures dues au changement de pièces, de lame ou d'accessoires.
- Les blessures dues à l'utilisation prolongée d'un outil. Lorsque vous utilisez un outil quel qu'il soit pendant de longues périodes, assurez-vous de faire des pauses régulières.
- Les troubles de l'ouïe.
- Les risques pour la santé dus à l'inhalation des poussières émises pendant l'utilisation de l'outil (exemple : travail avec du bois, surtout le chêne, le hêtre et les panneaux en MDF).

Vibrations

La valeur des vibrations émises déclarée dans les caractéristiques techniques et la déclaration de conformité a été mesurée selon une méthode de test standardisée fournie par la norme EN 62841 et elle peut être utilisée pour comparer un outil à un autre. La valeur des vibrations émises déclarée peut aussi être utilisée pour une évaluation préliminaire à l'exposition.



Avvertissement ! En fonction de la manière dont l'outil est utilisé, la valeur réelle des vibrations émises pendant son utilisation peut différer de la valeur déclarée. Le niveau des vibrations peut dépasser le niveau déclaré.

Quand l'exposition aux vibrations est évaluée afin de déterminer les mesures de sécurité requises par la norme 2002/44/CE pour protéger les personnes utilisant régulièrement des outils électriques, cette estimation doit tenir compte des conditions réelles d'utilisation et de la façon dont l'outil est utilisé. Il faut également tenir compte de toutes les composantes du cycle de fonctionnement comme la durée pendant laquelle l'outil est arrêté et quand il fonctionne au ralenti, ainsi que la durée du déclenchement.

Étiquettes apposées sur l'outil

Les symboles ci-dessous se trouvent sur l'outil :



Avvertissement ! Afin de réduire le risque de blessures, l'utilisateur doit lire le manuel d'utilisation.

Consignes de sécurité supplémentaires propres aux batteries et chargeurs

Batteries

- Ne tentez de les ouvrir sous aucun prétexte.
- N'exposez pas la batterie à l'eau.
- Ne la rangez pas dans des endroits où la température peut dépasser 40 °C.
- Ne procédez à la charge qu'à une température ambiante comprise entre 10 °C et 40 °C.
- N'utilisez que le chargeur fourni avec l'outil.
- Pour la mise au rebut des batteries, respectez les instructions mentionnées à la section "Protection de l'environnement".



N'essayez pas de recharger des batteries endommagées.

Chargeurs

- N'utilisez votre chargeur Stanley Fatmax que pour charger la batterie fournie avec l'outil. D'autres batteries pourraient exploser et provoquer des blessures et des dommages.
- Ne tentez jamais de recharger des piles non rechargeables.
- Faites immédiatement remplacer les cordons endommagés.
- N'exposez pas le chargeur à l'eau.
- N'ouvrez pas le chargeur.
- Ne sondez pas le chargeur.



Le chargeur est conçu pour être exclusivement utilisé à l'intérieur.



Lisez le manuel d'utilisation avant de l'utiliser.

Sécurité électrique



Votre chargeur dispose d'une double isolation, aucune liaison à la terre n'est donc nécessaire. Vérifiez toujours que la tension du réseau électrique correspond à la tension figurant sur la plaque signalétique. N'essayez jamais de remplacer le module de charge par une prise de courant ordinaire.

- Si le câble d'alimentation est endommagé, il doit être remplacé par le fabricant ou par un centre d'assistance agréé STANLEY FATMAX pour éviter les risques éventuels.

Caractéristiques

Cet outil dispose de tout ou partie des éléments suivants.

1. Interrupteur à gâchette, variateur de vitesse
2. Bouton de verrouillage
3. Levier de verrouillage de la lame de scie
4. Dispositif de fixation de lame
5. Plaque semelle
6. Bouton de sélection du mode de découpe
7. Batterie

Utilisation



Avvertissement ! Laissez l'outil fonctionner à son propre rythme. Ne le poussez pas au-delà de sa capacité.

Recharger la batterie (Fig. A)

La batterie doit être rechargée avant la première utilisation et chaque fois qu'elle n'apporte plus assez de puissance pour les travaux réalisés sans peine auparavant.

La batterie peut chauffer pendant la charge. Ce phénomène est normal et n'indique pas un problème.



Avvertissement ! Ne rechargez pas la batterie à une température ambiante inférieure à 10 °C ou supérieure à 40 °C. La température recommandée est d'environ 24 °C.

Remarque : Le chargeur ne recharge pas la batterie si la température de la cellule est inférieure à environ 10°C ou supérieure à 40°C.

La batterie doit rester dans le chargeur. Le chargeur commence automatiquement la charge dès que la température de la cellule remonte ou redescend.

Remarque : Afin de garantir des performances et une durée de vie optimales des blocs-batteries Li-Ion, rechargez-les complètement avant la première utilisation.

- Branchez le chargeur (8) dans une prise appropriée avant d'insérer le bloc-batterie (7).
- Le témoin de charge (8a) vert clignote en continu pour indiquer que le processus de charge a commencé.
- La fin de la charge est indiquée par le voyant vert (8a) restant allumé en continu. Le bloc-batterie (7) est alors complètement rechargé et il peut soit être retiré et utilisé, soit être laissé dans le chargeur (8).
- Rechargez les batteries déchargées dans un délai d'une semaine. La durée de vie de la batterie est considérablement diminuée si elle est stockée déchargée.

État des voyants du chargeur

	Charge : Voyant vert qui clignote	
	Charge complète terminée : Voyant vert allumé en fixe	
	Délai Bloc chaud/froid : Voyant vert qui clignote Voyant rouge allumé en fixe	

Remarque : Les chargeurs compatibles ne rechargent pas les blocs-batteries défectueux. Le chargeur indique un bloc-batterie défectueux en refusant de s'allumer.

Remarque : Cela peut également signifier un problème avec un chargeur. Si le chargeur indique un problème, apportez-le avec le bloc-batterie dans un centre d'assistance agréé pour les faire tester.

Laisser la batterie dans le chargeur

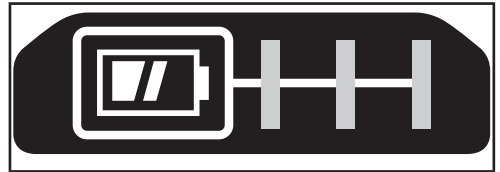
Le chargeur et le bloc-batterie peuvent rester raccordés avec le voyant allumé en continu. Le chargeur maintient le bloc-batterie complètement chargé.

Délai Bloc chaud/froid

Si le chargeur détecte que la batterie est trop chaude ou trop froide, il démarre automatiquement un délai Bloc Chaud/Froid, le voyant vert (8a) clignote en continu alors que le voyant rouge (8b) reste allumé en continu. La charge est suspendue jusqu'à ce que la batterie ait atteint une température appropriée. Le chargeur passe ensuite automatiquement en mode Charge. Cette fonctionnalité assure la durée de vie maximale de la batterie.

Témoin du niveau de charge de la batterie (Fig. B)

La batterie intègre un témoin de niveau de charge qui permet de savoir rapidement la charge restante de la batterie, comme illustré par la figure B. En appuyant sur le bouton du témoin de niveau charge (7a) vous pouvez facilement voir le niveau de charge restant dans la batterie, comme illustré par la figure B.



Insérer et retirer le bloc-batterie de l'outil



Avvertissement ! Avant de retirer ou d'installer la batterie, assurez-vous que le bouton de verrouillage est enclenché afin d'empêcher l'activation de l'interrupteur.

Pour installer le bloc-batterie (Fig. C)

- Insérez le bloc-batterie fermement dans l'outil jusqu'à entendre un clic comme illustré par la figure C. Assurez-vous que le bloc-batterie est bien en place et parfaitement verrouillé.

Pour retirer le bloc-batterie (Fig. C)

- Appuyez sur le bouton de libération de la batterie (7b) comme illustré par la figure C et tirez sur le bloc-batterie pour le sortir de l'outil.

Crochet pour le rangement (accessoire en option) (Fig. D)



Avvertissement ! Afin de réduire tout risque de blessures graves, placez le bouton de réglage du sens de rotation sur la position Verrouillé ou éteignez l'outil et retirez le bloc-batterie avant d'effectuer tout réglage ou avant de retirer/installer tout équipement ou accessoire. Tout démarrage accidentel peut provoquer des blessures.



Avvertissement ! Afin de réduire le risque de blessures graves, assurez-vous que la vis (10) qui retient le crochet de rangement est bien fixée.

Remarque : Pour fixer ou déplacer le crochet de rangement (9), n'utilisez que la vis (10) fournie. Assurez-vous de bien serrer la vis.

Si le crochet n'est pas nécessaire, il peut être retiré de l'outil. Pour déplacer le crochet de rangement (9), retirez la vis (10) qui le retient en place.

Remarque : Il existe différents crochets pour rails muraux et configurations de rangement.

Visitez notre site Internet www.stanleytools.eu/3 pour avoir plus de précisions.

Assemblage



Avertissement ! Avant l'assemblage, retirez la batterie de l'outil et assurez-vous que la lame est arrêtée. Les lames de scie peuvent être très chaudes après avoir été utilisées.

Installer et retirer la lame de scie (Fig. E)

- Maintenez la lame (11) avec les dents orientées vers l'avant.
- Poussez le levier de verrouillage de la lame de scie (3) vers le bas.
- Insérez complètement la tige de la lame dans la fixation (4) le plus loin possible.
- Relâchez le levier.
- Pour retirer la lame de scie (11), poussez le levier de verrouillage (3) vers le bas et sortez la lame.



Avertissement ! La lame peut être très chaude après l'utilisation. Portez toujours des gants pour retirer une lame.

Mise en marche et Extinction (Fig. F)

- Pour allumer l'outil, glissez le bouton de verrouillage (2) vers la gauche, puis maintenez enfoncé l'interrupteur à gâchette variateur de vitesse (1).
- Pour éteindre l'outil, relâchez l'interrupteur à gâchette (1).



Avertissement ! N'allumez et n'éteignez pas l'outil quand la lame est dans l'ouvrage.



Avertissement ! Glissez toujours le bouton de verrouillage (2) vers la droite en position verrouillée quand vous n'utilisez pas l'outil.

Variateur de vitesse

L'interrupteur Marche/Arrêt variateur de vitesse permet d'utiliser différentes vitesses pour considérablement améliorer la cadence de coupe en fonction des matières.

- La vitesse est définie par le niveau d'enfoncement de l'interrupteur à gâchette (1).

Coupe en biseau (Fig. G, H et I)

La semelle peut être réglée à un angle de biseau gauche ou droit de 45°.

Pour régler l'angle de coupe en biseau :

- Desserrez le boulon qui retient la semelle (12) à l'aide de la clé à six pans fournie pour déverrouiller la plaque de la semelle (5).
- Glissez la plaque de la semelle (5) vers l'avant pour la libérer du cran à 0°.
- Pivotez la plaque de la semelle à l'angle voulue pour le biseau (Fig. H).
- Glissez la plaque de la semelle vers l'arrière pour l'engager dans le cran de gauche ou de droit.
- Serrez le boulon qui retient la semelle (12) à l'aide de la clé à six pans fournie pour verrouiller la plaque de la semelle (5) à la position choisie.

Remarque : La semelle peut être inclinée vers la gauche ou la droite sur le cran à 45°.

Modes de découpe (Fig. J)

La scie sauteuse dispose de trois modes de découpe, deux modes orbitaux et un mode rectiligne. Le mode orbital offre un mouvement de lame plus agressif et il est prévu pour la découpe des matériaux tendres comme le bois ou le plastique. Le mode orbital permet une découpe plus rapide, mais moins fluide à travers les matières. En mode orbital, la lame se déplace vers l'avant sur la course de la coupe, en plus de son mouvement de haut en bas.



Avertissement ! N'effectuez jamais de coupe dans le métal ou le bois dur en mode orbital.

- Glissez le bouton de mode de découpe (6) sur l'une des trois positions de découpe : 0, 1 ou 2.
- La position 0 correspond à une coupe rectiligne.
- Les positions 1 et 2 servent pour le mode orbital.
- L'attaque de la coupe est plus importante si le levier est passé de la position 1 à la position 2, la position 2 étant la plus agressive.

Scier

- Tenez toujours l'outil à deux mains.
- Laissez la lame tourner à vide pendant quelques secondes avant de commencer la découpe.
- N'appliquez qu'une légère pression sur l'outil pendant la découpe.
- Si possible, travaillez en appuyant la plaque de la semelle (5) contre l'ouvrage. L'outil est ainsi mieux maîtrisé, les vibrations sont réduites et le risque d'endommager la lame est moindre.

Conseils pour une utilisation optimale Général

- Utilisez une vitesse rapide pour le bois, une vitesse moyenne pour l'aluminium et le PVC et une vitesse lente pour les métaux autres que l'aluminium.

Scier du contreplaqué

Comme la lame de scie coupe en remontant, des éclats peuvent se former sur la surface la plus proche de la semelle.

- Utilisez une lame à dents fines.
- Sciez depuis l'arrière de la pièce.
- Pour limiter les éclats, serrez un morceau de bois ou de panneau dur des deux côtés de la pièce et sciez à travers cette épaisseur.

Scier du métal

Scier du métal prend beaucoup plus de temps que de scier du bois.

- Utilisez une lame adaptée à la coupe de métal. Utilisez une lame à dents fines pour les métaux ferreux et une lame à plus grosses dents pour les métaux non ferreux.
- Pour couper une fine épaisseur de métal, serrez une pièce de bois à l'arrière de la pièce à couper et sciez à travers l'épaisseur.
- Appliquez une fine couche d'huile le long de la ligne de coupe.

Accessoires

Les performances de votre outil dépendent de l'accessoire utilisé. Les accessoires STANLEY FATMAX sont élaborés selon des normes de qualité élevées et ils sont conçus pour améliorer les performances de votre outil. L'utilisation de ces accessoires vous permet de tirer pleinement profit de votre outil.

Cet outil est compatible avec les lames à embout en U ou en T.

Maintenance

Votre outil a été conçu pour fonctionner longtemps avec un minimum d'entretien. Le fonctionnement continu et satisfaisant de l'outil dépend de son bon entretien et de son nettoyage régulier.



Avertissement ! Éteignez et débranchez l'outil avant toute opération de maintenance.

- Nettoyez régulièrement les fentes d'aération de votre outil et du chargeur à l'aide d'une brosse souple ou d'un chiffon sec.
- Nettoyez régulièrement le bloc-moteur à l'aide d'un chiffon humide. N'utilisez pas de détergents abrasifs ou à base de solvants.
- Appliquez de temps en temps une goutte d'huile sur l'axe du rouleau de support de lame.

Protection de l'environnement



Tri sélectif. Les produits et piles/batteries marqués de ce symbole ne doivent pas être jetés avec les déchets ménagers.

Les produits et les piles/batteries contiennent des matières qui peuvent être récupérées et recyclées afin de réduire la demande en matières premières.

Veillez recycler les produits électriques et les batteries conformément aux dispositions locales en vigueur. Plus d'informations sont disponibles sur le site www.2helpU.com

Caractéristiques techniques

SFMC600 (H1)		
Tension	V_{CC}	18
Vitesse à vide	min^{-1}	0 - 2500
Longueur de course	mm	19
Profondeur de coupe maximum		
Le bois	mm	55
Acier	mm	8
Aluminium	mm	20
Poids	kg	2,62

Chargeur		SFMCB11	SFMCB12	SFMCB14
Tension d'entrée	V_{CA}	230	230	230
Tension de sortie	V_{CC}	18	18	18
Courant	A	1,25	2	4

Batterie		SFMCB201	SFMCB202	SFMCB204	SFMCB206
Tension	V_{CC}	18	18	18	18
Capacité	Ah	1,5	2,0	4,0	6,0
Type		Li-Ion	Li-Ion	Li-Ion	Li-Ion

Niveau de pression sonore selon la norme EN62841 :

Pression sonore (L_{pA}) 82 dB(A), incertitude (K) 5 dB(A)

Puissance sonore (L_{WA}) 93 dB(A), incertitude (K) 5 dB(A)

Valeurs totales des vibrations (somme vectorielle triaxiale) selon la norme EN62841 :

Découpe de planches et de panneaux ($a_{h,B}$) 4,9 m/s^2 , incertitude (K) 1,5 m/s^2

Découpe de tôle ($a_{h,M}$) 8,8 m/s^2 , incertitude (K) 1,5 m/s^2

Déclaration de conformité CE

DIRECTIVES MACHINES



Scie sauteuse sans-fil SFMCS600

Stanley Europe déclare que les produits décrits dans les "Caractéristiques techniques" sont conformes aux normes : 2006/42/CE, EN62841-1:2015, EN62841-2-11:2016

Ces produits sont également conformes aux directives 2014/30/UE et 2011/65/UE. Pour plus de détails, veuillez contacter Stanley Europe à l'adresse suivante ou reportez-vous au dos du manuel.

Le soussigné est responsable de la compilation du dossier technique et fait cette déclaration au nom de Stanley Europe.

A.P. Smith

Directeur technique Ingénierie
STANLEY FATMAX Europe, Egide Walschaertsstraat14-18,
2800 Mechelen, Belgique
2019-10-22

Garantie

STANLEY FATMAX est sûr de la qualité de ses produits et offre une garantie de 12 mois à ses clients, à partir de la date d'achat. Cette garantie s'ajoute à vos droits légaux auxquels elle ne porte aucunement préjudice. Cette garantie est valable au sein des territoires des États membres de l'Union Européenne et au sein de la Zone européenne de libre-échange.

Pour prétendre à la garantie, la réclamation doit être conforme aux conditions générales de STANLEY FATMAX et vous devez fournir une preuve d'achat au vendeur ou au réparateur agréé. Les conditions générales de la garantie STANLEY FATMAX de 1 an ainsi que l'adresse du réparateur agréé le plus proche sont disponibles sur le site Internet www.2helpU.com ou en contactant votre agence STANLEY FATMAX locale à l'adresse indiquée dans ce manuel.

Veuillez consulter notre site Internet www.stanleytools.eu/3 pour enregistrer votre produit STANLEY FATMAX et pour être tenu informé des nouveaux produits et offres spéciales.

Usò previsto

Il seghetto da traforo STANLEY FATMAX è stato progettato per segare legno, plastica e lamiera. Questo elettrotensile è stato progettato per uso professionale e privato, e per utenti non professionisti.

Istruzioni di sicurezza

Avvertenze generali di sicurezza per gli elettrotensili



Avvertenza! Leggere tutte le avvertenze, istruzioni, illustrazioni e specifiche fornite con l'elettrotensile. La mancata osservanza delle avvertenze e istruzioni seguenti potrebbe causare scosse elettriche, incendi e/o gravi lesioni.

Conservare tutte le avvertenze e le istruzioni per consultazioni future. Il termine "elettrotensile" utilizzato nelle avvertenze fa riferimento sia agli apparati alimentati a corrente (con cavo elettrico), sia a quelli a batteria (senza cavo).

1. Sicurezza dell'area di lavoro

- Mantenere pulita e ben illuminata l'area di lavoro.** Gli ambienti disordinati o scarsamente illuminati favoriscono gli incidenti.
- Non azionare gli elettrotensili in ambienti con atmosfera esplosiva, come quelli in presenza di liquidi, gas o polveri infiammabili.** Gli elettrotensili producono scintille che possono incendiare le polveri o i fumi.
- Durante l'uso di un elettrotensile, tenere lontani i bambini e le altre persone presenti nelle vicinanze.** Eventuali distrazioni possono provocare la perdita di controllo dell'elettrotensile.

2. Sicurezza elettrica

- Le spine degli elettrotensili devono essere adatte alla presa di corrente. Non modificare la spina in alcun modo.**
Non collegare un adattatore alla spina di un elettrotensile collegato a terra. Per ridurre il rischio di scossa elettrica evitare di modificare le spine e utilizzare sempre le prese appropriate.
- Evitare il contatto con superfici collegate a terra, quali tubature, termosifoni, fornelli e frigoriferi.** Se il corpo dell'utilizzatore è collegato a terra, il rischio di scossa elettrica aumenta.
- Non esporre gli elettrotensili alla pioggia o all'umidità.** Se l'acqua entra nell'elettrotensile aumenta il rischio di scossa elettrica.

- d. **Non abusare del cavo elettrico. Non utilizzare mai il cavo per spostare, tirare o scollegare l'elettrotensile. Tenere il cavo elettrico lontano da fonti di calore, olio, bordi taglienti o parti in movimento.** Se il cavo è danneggiato o impigliato, il rischio di scossa elettrica aumenta.
- e. **Se l'elettrotensile viene utilizzato all'aperto, usare esclusivamente prolunghie omologate per l'impiego all'esterno.** L'uso di un cavo di alimentazione adatto per esterni riduce il rischio di scossa elettrica.
- f. **Se non è possibile evitare di utilizzare un elettrotensile in una zona umida, collegarsi a una rete elettrica protetta da un interruttore differenziale salvavita (RCD).** L'uso di un interruttore differenziale riduce il rischio di scossa elettrica.
3. **Sicurezza personale**
- a. **È importante concentrarsi su ciò che si sta facendo e maneggiare con giudizio l'elettrotensile. Non utilizzare l'elettrotensile quando si è stanchi o sotto l'effetto di sostanze stupefacenti, alcool o medicinali.** Un solo attimo di distrazione durante l'uso di tali elettrotensili potrebbe provocare gravi lesioni personali
- b. **Usare dispositivi di protezione individuale. Indossare sempre occhiali di protezione.** L'uso di dispositivi di protezione, quali mascherine antipolvere, scarpe antinfortunistiche antiscivolo, caschi di sicurezza o protezioni uditive, in condizioni opportune consente di ridurre le lesioni personali.
- c. **Evitare avvii involontari. Assicurarsi che l'interruttore sia in posizione di spento prima inserire l'alimentazione elettrica e/o il pacco batteria e prima di afferrare o trasportare l'utensile.** Il trasporto di elettrotensili tenendo il dito sull'interruttore o quando sono collegati alla rete elettrica con l'interruttore nella posizione di accesso provoca incidenti.
- d. **Prima di accendere l'apparato elettrico, rimuovere eventuali chiavi o utensili di regolazione.** Un utensile di regolazione o una chiave attaccati a una parte rotante dell'elettrotensile possono provocare lesioni personali.
- e. **Non sporgersi troppo. Mantenere sempre un appoggio e un equilibrio adeguati.** Ciò consente un migliore controllo dell'elettrotensile nelle situazioni impreviste.
- f. **Indossare indumenti adeguati. Non indossare abiti larghi o gioielli. Tenere capelli, e indumenti lontano dalle parti mobili.** Abiti larghi, gioielli o capelli lunghi possono impigliarsi nelle parti in movimento.
- g. **Se gli elettrotensili sono provvisti di attacchi per il collegamento di dispositivi di aspirazione o di raccolta delle polveri, assicurarsi che questi siano installati e utilizzati correttamente.** La raccolta delle polveri può ridurre i pericoli legati a queste ultime.
- h. **Non lasciare che la familiarità acquisita dall'uso frequente degli utensili conduca alla noncuranza e alla trascuratezza dei principi di sicurezza degli utensili.** Un'azione disattenta può causare lesioni gravi in una frazione di secondo.
4. **Uso e cura degli elettrotensili**
- a. **Non forzare l'elettrotensile. Utilizzare un elettrotensile adatto al lavoro da eseguire.** L'elettrotensile lavora meglio e con maggior sicurezza se utilizzato in base all'uso previsto.
- b. **Non usare l'apparato elettrico se l'interruttore non si accende e spegne.** Qualsiasi elettrotensile che non possa essere controllato tramite l'interruttore è pericoloso e deve essere riparato.
- c. **Staccare la spina dalla presa elettrica e/o rimuovere la batteria, se smontabile, dell'elettrotensile prima di effettuare qualsiasi tipo di regolazione, di cambiare gli accessori o di riparlo.** Queste misure di sicurezza preventive riducono il rischio di azionare l'apparato accidentalmente.
- d. **Conservare gli elettrotensili non utilizzati fuori dalla portata dei bambini ed evitarne l'uso da parte di persone che hanno poca familiarità con l'elettrotensile e con le presenti istruzioni.** Gli elettrotensili sono pericolosi in mano a persone inesperte.
- e. **Sottoporre elettrotensili e accessori a manutenzione. Verificare che le parti mobili siano correttamente allineate e non inceppate, che non vi siano componenti rotti e che non sussistano altre condizioni che possono compromettere il funzionamento dell'elettrotensile. Se danneggiato, far riparare l'elettrotensile prima dell'uso.** Molti incidenti sono provocati da elettrotensili non sottoposti a una corretta manutenzione.
- f. **Mantenere affilati e puliti gli utensili da taglio.** La manutenzione corretta degli utensili da taglio con bordi affilati riduce le probabilità di inceppamento e ne facilita il controllo.
- g. **Utilizzare l'elettrotensile, gli accessori e le punte in conformità alle presenti istruzioni, tenendo conto delle condizioni di lavoro e del lavoro da eseguire.** L'utilizzo dell'elettrotensile per impieghi diversi da quelli previsti può provocare situazioni di pericolo.
- h. **Mantenere le impugnature e le superfici di grippaggio asciutte, pulite e prive di olio e grasso.** Impugnature e superfici di presa scivolose non consentono di maneggiare e controllare in modo sicuro l'elettrotensile nel caso di imprevisti.

5. Uso e cura degli elettroutensili a batteria

- a. **Caricare la batteria utilizzando esclusivamente il caricabatterie specificato dal produttore.** Un caricabatteria adatto per un tipo di gruppo batterie può esporre al rischio d'incendio se usato con pacco batteria diverso.
- b. **Usare gli elettroutensili esclusivamente con i pacchi batteria specificamente designati.** L'impiego di battery pack di altro tipo potrebbe creare il rischio di lesioni e di incendi.
- c. **Quando il battery pack non viene usato, tenerlo lontano da altri oggetti metallici tipo graffette, monete, chiavi, chiodi, viti o altri oggetti metallici di piccole dimensioni, che potrebbero cortocircuitare un morsetto con l'altro.** Se i morsetti della batteria vengono cortocircuitati si potrebbero causare ustioni o un incendio.
- d. **In condizioni di sovraccarico, le batterie possono perdere liquido: evitare di toccarlo. In caso di contatto accidentale, sciacquare con acqua. Se del liquido entra a contatto con gli occhi, rivolgersi a un medico.** Il liquido che fuoriesce dalla batteria può causare irritazioni o ustioni.
- e. Non utilizzare un pacco batteria o un utensile danneggiati o modificati. Le batterie danneggiate o modificate potrebbero manifestare un comportamento imprevedibile con la possibilità di causare un'esplosione o un incendio.
- f. Non esporre un pacco batteria o un utensile al fuoco o a temperature elevate. L'esposizione al fuoco o a una temperatura superiore a 130°C potrebbe provocare un'esplosione.
- g. Seguire tutte le istruzioni per la carica e non caricare il pacco batteria o l'elettroutensile a una temperatura che non rientri nell'intervallo di valori specificato nelle istruzioni. Una carica effettuata in maniera scorretta o a una temperatura che non rientra nell'intervallo di valori specificato potrebbe danneggiare la batteria aumentando il rischio d'incendio.

6. Assistenza

- a. **L'elettroutensile deve essere riparato da personale qualificato, che utilizzi ricambi originali identici alle parti da sostituire. In questo modo sarà possibile mantenere la sicurezza dell'elettroutensile**
- b. **Non riparare le BATTERIE danneggiate. Gli interventi di riparazione sui pacchi BATTERIA devono essere eseguiti dal costruttore o da fornitori di assistenza autorizzati.**

Avvisi di sicurezza aggiuntivi per i seghetti da traforo e le seghe alternative

- **Tenere l'elettroutensile afferrando le impugnature isolate se vi è la possibilità che l'accessorio di levigatura possa venire a contatto di cavi nascosti o del filo di alimentazione.** Gli accessori da taglio che vengono a contatto con un cavo sotto tensione trasmettono la corrente elettrica anche alle parti metalliche esposte dell'elettroutensile e possono provocare la folgorazione dell'operatore.
- **Usare morse o altri metodi pratici per fissare e bloccare il pezzo in lavorazione a una piattaforma stabile.** Tenere il lavoro con le mani o contro il corpo non ne assicura la stabilità e potrebbe portare a una perdita del controllo.
- **Tenere le mani lontane dalla zona di taglio.** Non allungare mai le mani sotto il pezzo. Non infilare le dita o il pollice in prossimità della lama alternativa e del blocco lama. Non stabilizzare la sega afferrando la guida.
- **Mantenere le lame affilate.** Delle lame spuntate o danneggiate possono causare la deviazione o lo spegnimento della sega sotto sforzo. Usare sempre il corretto tipo di lama per il materiale da tagliare.
- **Quando si taglia un tubo o una conduttura, accertarsi sempre che al loro interno non vi siano acqua o fili elettrici.**
- **Non toccare il pezzo o la lama subito dopo aver fatto funzionare l'elettroutensile,** possono diventare molto caldi.
- **Essere consapevoli che vi possono essere dei pericoli nascosti: prima di praticare tagli in pareti, pavimenti o soffitti, controllare l'ubicazione di cablaggi e tubazioni.**
- **La lama continua a muoversi dopo aver rilasciato l'interruttore.** Prima di appoggiare l'elettroutensile, spegnerlo e attendere che la lama si fermi completamente.



Avvertenza! Il contatto o l'inalazione della polvere generata dal taglio potrebbe nuocere alla salute dell'operatore e di eventuali astanti. Indossare una mascherina antipolvere specifica per polveri e fumi e controllare che anche le persone presenti o in arrivo nell'area di lavoro siano adeguatamente protette.

- L'uso previsto è descritto in questo manuale di istruzioni. L'impiego dell'elettroutensile con accessori o dotazioni per scopi diversi da quelli raccomandati in questo manuale di istruzioni, potrebbe comportare il rischio che si verifichino lesioni alle persone e/o danni materiali.

Sicurezza altrui

- Questo elettroutensile non è stato progettato per impiego da parte di persone (o bambini) portatrici di handicap fisici, psichici o sensoriali o che non abbiano la dovuta esperienza o conoscenza, a meno che non siano seguite o opportunamente istruite sul suo impiego da parte di una persona responsabile della loro sicurezza.
- I bambini devono essere sorvegliati per assicurarsi che non giochino con l'elettroutensile.

Rischi residui

L'utilizzo dell'elettroutensile può comportare rischi residui non necessariamente riportati nelle presenti avvertenze di sicurezza. Tali rischi possono sorgere a seguito di un uso prolungato o improprio, ecc.

Malgrado il rispetto delle norme di sicurezza pertinenti e l'implementazione di dispositivi di sicurezza, alcuni rischi residui non possono essere evitati. Sono inclusi:

- lesioni personali causate dal contatto con parti rotanti/in movimento;
- lesioni personali subite durante la sostituzione di parti, lame o accessori;
- lesioni personali causate dall'impiego prolungato di un elettroutensile (quando si utilizza qualsiasi elettroutensile per periodi prolungati, assicurarsi di fare pause regolari);
- menomazioni uditive.
- rischi per la salute causati dalla respirazione delle polveri sviluppate durante l'utilizzo dell'utensile (ad esempio quando si lavora con il legno, in modo particolare quello di quercia, faggio o l'MDF).

Vibrazione

I valori dichiarati delle emissioni di vibrazioni al paragrafo Dati tecnici e nella Dichiarazione di conformità del presente manuale sono stati misurati in base al metodo di test standard previsto dalla normativa EN 62841 e possono essere usati come parametri di confronto tra due utensili. Il valore di emissione di vibrazione dichiarato può anche essere usato per una valutazione preliminare dell'esposizione.



Avvertenza! Il livello di emissione di vibrazione durante l'uso effettivo dell'elettroutensile può differire dal valore dichiarato, a seconda delle modalità di utilizzo dello stesso. Il livello di emissione di vibrazione potrebbe superare il valore dichiarato.

Quando si valuta l'esposizione alla vibrazione per stabilire le misure di sicurezza richieste, in conformità alla normativa 2002/44/CE destinata alla protezione delle persone che usano regolarmente elettroutensili nello svolgimento delle proprie mansioni lavorative, è necessario prendere in considerazione le condizioni effettive di utilizzo e il modo in cui l'elettroutensile

viene usato, oltre che tenere conto di tutte le componenti del ciclo operativo, vale a dire i periodi in cui l'elettroutensile è spento, quelli in cui è acceso ma a riposo e quelli in cui viene effettivamente utilizzato.

Etichette sull'apparato

Sull'elettroutensile appaiono i seguenti simboli:



Avvertenza! Per ridurre il rischio di lesioni personali l'utilizzatore deve leggere il manuale di istruzioni.

Istruzioni di sicurezza aggiuntive per batterie e caricabatterie

Batterie

- Non tentare mai di aprire la batteria per alcun motivo.
- Non lasciare che la batteria si bagni.
- Non conservare in luoghi dove la temperatura potrebbe superare i 40 °C.
- Caricare solo a temperature ambiente tra 10 °C e 40 °C.
- Caricare solo usando il caricabatterie fornito con l'elettroutensile.
- Quando si smaltiscono le batterie, seguire le istruzioni riportate al capitolo "Protezione dell'ambiente".



Non tentare di caricare batterie danneggiate.

Caricabatterie

- Usare il caricabatterie Stanley Fat Max solo per caricare la batteria nell'elettroutensile con il quale è stato fornito. Batterie diverse potrebbero scoppiare, causando lesioni alle persone e danni materiali.
- Non tentare mai di caricare batterie non ricaricabili.
- Fare sostituire immediatamente i cavi di alimentazione difettosi.
- Non lasciare che il caricabatterie si bagni.
- Non aprire il caricabatterie.
- Non collegare l'alimentatore a sonde.



Il caricabatterie è destinato solo all'uso in ambienti chiusi.



Leggere il manuale d'istruzioni prima dell'uso.

Sicurezza elettrica



Il doppio isolamento di cui è provvisto il caricabatterie rende superfluo il filo di terra. Verificare sempre che la tensione di rete corrisponda alla tensione indicata sulla targhetta dei valori nominali. Non tentare mai di sostituire il caricabatterie con una normale spina di rete.

- ◆ In caso di danneggiamento del filo di alimentazione, è necessario farlo riparare dal fabbricante o presso un centro assistenza STANLEY FATMAX autorizzato in modo da evitare eventuali pericoli.

Caratteristiche

Questo elettrotensile include alcune delle seguenti caratteristiche.

1. Grilletto di azionamento a velocità variabile
2. Pulsante di sblocco
3. Leva di bloccaggio lama seghetto
4. Morsetto di bloccaggio lama
5. Piedino scorrimento lama
6. Pulsante selezione tipo di taglio
7. Batteria

Uso



Avvertenza! Lasciare che l'elettrotensile funzioni al proprio ritmo.

Non sovraccaricarlo.

Carica della batteria (Fig. A)

La batteria deve essere caricata prima dell'impiego iniziale e quando non eroga una potenza sufficiente per lavori che prima era possibile eseguire facilmente.

Durante la carica, la batteria potrebbe riscaldarsi. Si tratta di un fatto normale che non indica la presenza di un problema.



Avvertenza! Non caricare la batteria a temperature ambientali inferiori a 10 °C o superiori a 40 °C. La temperatura di carica consigliata è di circa 24 °C.

Nota: il caricabatterie non carica una batteria se la temperatura delle celle è inferiore a 10 °C o superiore a 40 °C.

La batteria deve essere lasciata nel caricabatterie, che comincerà a caricarla automaticamente quando la temperatura delle celle aumenta o diminuisce.

Nota: per garantire la massima prestazione e durata dei pacchi batteria agli ioni di litio, caricare completamente il pacco batteria prima di utilizzarlo per la prima volta.

- Collegare il caricabatterie (8) ad una presa di corrente adatta prima di inserire il pacco batteria (7).
- La spia verde di carica in corso (8a) lampeggia continuamente, indicando che è iniziato il processo di carica.

- Il completamento della carica sarà indicato dalla luce rossa (8a) che rimane accesa fissa. Il pacco batteria (7) è completamente carico e può essere utilizzato in questo momento o lasciato nel caricabatterie (8).
- Caricare le batterie scariche entro 1 settimana. La durata delle batterie si riduce parecchio se sono conservate scariche.

Modalità LED del caricabatterie

	Carica in corso: LED verde intermittente	
	Carica completa: LED verde acceso fisso	
	Ritardo per pacco caldo/freddo: LED verde intermittente LED rosso acceso fisso	

Nota: I caricabatterie compatibili non caricheranno un pacco batteria difettoso. Il caricabatterie non si illuminerà indicando che un pacco batteria è difettoso.

Nota: questo potrebbe anche indicare un problema del caricabatterie. Se il caricabatterie indica la presenza di un problema, portare il caricabatterie e il pacco batteria presso un centro di assistenza autorizzato per essere testati.

Batteria lasciata nel caricabatterie

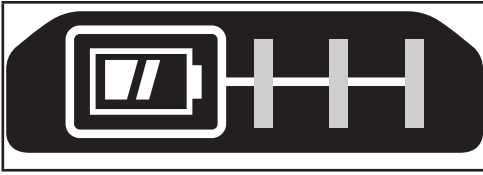
Il caricabatterie e il pacco batteria possono essere lasciati collegati con il LED sempre acceso. Il caricabatterie manterrà il pacco batteria come nuovo e completamente carico.

Ritardo per pacco caldo/freddo

Quando il caricabatterie rileva una batteria troppo calda o troppo fredda, avvia automaticamente un Ritardo per pacco batteria caldo/freddo, il LED verde (8a) lampeggia a intermittenza, mentre il LED rosso (8b) rimane acceso continuamente, sospendendo la ricarica fino a che la batteria non ha raggiunto la temperatura appropriata. Il caricabatterie quindi passa automaticamente alla modalità di caricamento. Questa funzione garantisce la massima durata della batteria.

Indicatore dello stato di carica della batteria (Fig. B)

La batteria include un indicatore dello stato di carica per determinare rapidamente la durata della batteria come indicato nella Figura B. Premendo il pulsante dello stato di carica (7a) è possibile visualizzare facilmente la carica residua della batteria, come illustrato nella Figura B.



Inserimento e rimozione del pacco batteria dall'elettrotensile



Avvertenza! Verificare che il pulsante di sicurezza sia attivato per evitare l'azionamento dell'interruttore mentre si estrae o si inserisce la batteria.

Per installare il pacco batteria (Fig. C)

- Inserire il pacco batteria saldamente nell'utensile fino a quando non si sente uno scatto come in figura C. Assicurarsi che il pacco batteria sia completamente inserito e bloccato in posizione.

Per rimuovere il pacco batteria (Fig. C)

- Premere il pulsante di rilascio della batteria (7b) come indicato in figura C ed estrarre la batteria dall'utensile.

Gancio per stoccaggio (Accessorio opzionale) (Fig. D)



Avvertenza! Per ridurre il rischio di lesioni personali gravi, portare il pulsante avanti/indietro alla posizione di blocco o spegnere l'elettrotensile e scollegare il pacco batteria prima di eseguire qualsiasi regolazione o rimozione/installazione di dotazioni o accessori. Un avvio accidentale potrebbe provocare lesioni a persone.



Avvertenza! Per ridurre il rischio di lesioni personali gravi, accertarsi che la vite (10) che fissa il gancio per stoccaggio sia serrata saldamente.

Nota: durante il fissaggio o la sostituzione del gancio per stoccaggio (9), utilizzare esclusivamente la vite (10) fornita in dotazione. Assicurarsi di serrare saldamente la vite.

Se lo si desidera, è possibile rimuovere completamente il gancio dall'elettrotensile.

Per spostare il gancio per stoccaggio (9), rimuovere la vite (10) che lo mantiene in posizione e riavvitarla sul lato opposto.

Nota: sono disponibili ganci da parete e configurazioni di stoccaggio diversi.

Per maggiori informazioni visitare il nostro sito web www.stanleytools.eu/3.

Assemblaggio



Avvertenza! Prima dell'assemblaggio, togliere la batteria dall'elettrotensile e accertarsi che la lama della sega si sia fermata. Le lame della sega usate possono essere calde.

Montaggio e smontaggio della lama del seghetto (Fig. E)

- Tenere la lama del seghetto (11) con i denti rivolti in avanti.
- Spingere la leva di bloccaggio della lama del seghetto (3) verso il basso.
- Infilare completamente il gambo della lama del seghetto (4) nel relativo morsetto.
- Rilasciare la leva.
- Per togliere la lama del seghetto (11), spingere la leva di bloccaggio (3) verso il basso ed estrarre la lama.



Avvertenza! La lama potrebbe riscaldarsi dopo l'impiego. Indossare sempre i guanti quando si rimuove una lama.

Accensione e spegnimento (Fig. F)

- Per accendere l'elettrotensile, far scorrere l'interruttore di sicurezza (2) verso sinistra e tirare e tenere tirato l'interruttore a grilletto a velocità variabile (1).
- Per spegnere l'elettrotensile, rilasciare il grilletto di azionamento (1).



Avvertenza! Non accendere o spegnere l'elettrotensile quando è sotto carico.



Avvertenza! Quando l'elettrotensile non è utilizzato, far sempre scorrere l'interruttore di sicurezza (2) verso destra, nella posizione di bloccaggio.

Comando velocità variabile

L'interruttore di accensione a velocità variabile consente di scegliere velocità diverse per migliorare notevolmente il ritmo di taglio con materiali diversi.

- La velocità è determinata dalla pressione esercitata sull'interruttore a grilletto (1).

Taglio dell'angolo di smusso (Fig. G, H & I)

La piastra del piedino scorrimento lama può essere regolata per il taglio a unghia di 45° verso destra o verso sinistra.

Impostazione dell'angolo di smusso:


- Allentare il bullone di ritenuta del piedino scorrimento lama (12) con la chiave esagonale fornita per sbloccare la relativa piastra (5).
- Infilare la piastra del piedino scorrimento lama (5) in avanti per rilasciarla dal fermo di 0°.

- Ruotare la piastra del piedino scorrimento lama in base all'angolo di smusso richiesto (fig. H).
- Far scorrere all'indietro la piastra del piedino scorrimento lama per innestare il fermo di sinistra o di destra.
- Serrare il bullone di ritenuta del piedino scorrimento lama (12) con la chiave esagonale fornita per bloccare la relativa piastra (5) nella posizione richiesta.

Nota: Il piedino scorrimento lama può essere inclinato sia verso sinistra sia verso destra e ha un fermo a 45°.

Tipi di taglio (Fig. J)

Questo seghetto da traforo può eseguire tre tipi di taglio: due orbitali e uno diritto. Il taglio con movimento orbitale è caratterizzato da un comportamento più aggressivo della lama ed è concepito per il taglio di materiali morbidi, come il legno o la plastica. Il taglio con movimento orbitale è più veloce, ma meno uniforme attraverso il materiale. Nel taglio con movimento orbitale la lama si sposta in avanti durante la corsa di taglio oltre che con un movimento su e giù.

 **Avvertenza!** Non tagliare mai metalli o materiali in legno duro con la modalità di taglio con movimento orbitale.

- Far scorrere il pulsante di selezione del tipo di taglio (6) tra le tre posizioni di taglio: 0, 1 e 2.
- La posizione 0 corrisponde al taglio diritto.
- Le posizioni 1 e 2 corrispondono al taglio orbitale.
- L'aggressività del taglio aumenta quando la leva viene spostata da uno a due e la posizione due è quella che presenta un taglio più aggressivo.

Segatura

- Tenere sempre l'elettrotensile con entrambe le mani.
- Prima di iniziare a tagliare, lasciare che la lama ruoti liberamente per alcuni secondi.
- Esercitare solo una leggera pressione sull'elettrotensile mentre si esegue il taglio.
- Se possibile, lavorare con la piastra del piedino scorrimento lama (5) premuta contro il pezzo. In questo modo si esercita un maggior controllo sull'elettrotensile, riducendone al tempo stesso le vibrazioni e si evita anche che la lama subisca danni.

Suggerimenti per un utilizzo ottimale

Generali

- Usare una velocità alta per il legno, media per l'alluminio e il PVC e bassa per i metalli ad eccezione dell'alluminio.

Segatura dei laminati

Dato che la lama taglia sulla corsa verso l'alto, si potrebbe verificare la scheggiatura della superficie più vicina al piedino scorrimento lama.

- Usare una lama da seghetto con denti sottili.

- Segare dalla parte posteriore del pezzo da lavorare.
- Per contenere al massimo la scheggiatura, fissare con un morsetto un pezzo di legno o di cartone da ambo i lati del pezzo da lavorare e segare i tre strati insieme.

Segatura del metallo

Tenere presente che la segatura del metallo richiede molto più tempo di quella del legno.


- Usare una lama da seghetto idonea alla segatura del metallo. Usare una lama a denti sottili per i metalli ferrosi e una con i denti più grossi per quelli non ferrosi.
- Quando si taglia un foglio di lamiera sottile, fissare con dei morsetti un pezzo di legno alla superficie posteriore del pezzo da lavorare e tagliare i due strati insieme.
- Spalmare un velo d'olio lungo la traccia del taglio.

Accessori

Le prestazioni dell'elettrotensile dipendono dall'accessorio usato. Gli accessori STANLEY FATMAX sono stati fabbricati in base a standard qualitativi elevati e sono stati progettati per ottenere le migliori prestazioni dall'elettrotensile. Usando questi accessori si otterrà il meglio dall'elettrotensile. Questo elettrotensile può essere utilizzato con lame da seghetto con gambo a "U" o a "T".

Manutenzione

Questo elettrotensile è stato progettato per funzionare a lungo con una manutenzione minima. Per avere prestazioni sempre soddisfacenti occorre avere cura dell'elettrotensile e sottoporlo a pulizia periodica.

 **Avvertenza!** Prima di eseguire operazioni di manutenzione, spegnere l'elettrotensile ed estrarre la spina dalla presa di corrente.

- Pulire regolarmente le prese di ventilazione dell'elettrotensile e dell'alimentatore con un pennello o con un panno morbido e asciutto.
- L'alloggiamento del motore deve essere pulito regolarmente con un panno umido. Non utilizzare materiali abrasivi o detergenti a base di solventi.
- Versare di tanto in tanto una goccia d'olio sull'asse del rullo di supporto della lama.

Protezione ambientale



Raccolta differenziata. I prodotti e le batterie contrassegnati con questo simbolo non devono essere smaltiti insieme ai normali rifiuti domestici.

I prodotti e le batterie contengono materiali che possono essere recuperati e riciclati, riducendo la domanda di materie prime.

Riciclare i prodotti e le batterie in base alle normative locali pertinenti. Ulteriori informazioni sono disponibili all'indirizzo www.2helpU.com

Dati tecnici

		SFMC600 (H1)
Tensione	V_{dc}	18
Velocità a vuoto	min^{-1}	0 - 2500
Profondità max. taglio	mm	19
Profondità max. del taglio		
Legno	mm	55
Acciaio	mm	8
Alluminio	mm	20
Peso	kg	2,62

Caricabatterie		SFMCB11	SFMCB12	SFMCB14
Tensione in ingresso	V_{AC}	230	230	230
Tensione erogata	V_{CC}	18	18	18
Corrente	A	1,25	2	4

Batteria		SFMCB201	SFMCB202	SFMCB204	SFMCB206
Tensione	V_{CC}	18	18	18	18
Capacità	Ah	1,5	2,0	4,0	6,0
Tipo		lioni di litio	lioni di litio	lioni di litio	lioni di litio

Livello di pressione sonora misurato in conformità alla normativa EN62841:

 Pressione acustica (L_{pA}) 82 dB(A), incertezza (K) 5 dB(A)

 Potenza sonora (L_{WA}) 93 dB(A), incertezza (K) 5 dB(A)

Valori totali di emissione di vibrazioni (somma vettoriale triassiale) in conformità alla normativa EN62841:

 Taglio di assi ($a_{h, B}$) 4,9 m/s^2 , incertezza (K) 1,5 m/s^2

 Taglio della lamiera ($a_{h, M}$) 8,8 m/s^2 , incertezza (K) 1,5 m/s^2

Dichiarazione di conformità CE

DIRETTIVA MACCHINE



Seghetto da traforo cordless - SFMC600
 Stanley Europe dichiara che i prodotti descritti nei "Dati tecnici" sono conformi alle normative: 2006/42/CE, EN62841-1:2015, EN62841-2-11:2016

Questi prodotti sono anche conformi alle Direttive 2014/30/UE e 2011/65/UE. Per ulteriori informazioni, contattare Stanley Europe all'indirizzo seguente o vedere sul retro del manuale.

Il firmatario è responsabile della compilazione del documento tecnico e rende questa dichiarazione per conto di Stanley Europe.

A.P. Smith

Direttore tecnico

STANLEY FATMAX Europe, Egide Walschaertsstraat14-18,
 2800 Mechelen, Belgio
 2019-10-22

Garanzia

STANLEY FATMAX è sicura della qualità dei propri prodotti e offre ai consumatori una garanzia di 12 mesi dalla data di acquisto. Questa garanzia aggiuntiva non pregiudica in alcun modo i diritti del consumatore previsti dalla legge. La garanzia è valida sui territori degli stati membri dell'Unione Europea o dell'EFTA (Associazione europea di libero scambio). Per attivare la garanzia, il reclamo deve essere effettuato in accordo con i Termini e Condizioni Stanley FatMax e sarà necessario presentare la prova di acquisto al venditore o all'agente di riparazione autorizzato. I Termini e condizioni della garanzia StanleyFat Max di 1 anno e la sede dell'agente di riparazione autorizzato più vicino sono consultabili su Internet all'indirizzo www.2helpU.com, o contattando l'ufficio StanleyFat Max di zona all'indirizzo indicato in questo manuale. Visitare il nostro sito www.stanleytools.eu/3 per registrare il nuovo prodotto STANLEY FATMAX e ricevere gli aggiornamenti sui nuovi prodotti e le offerte speciali.

Bedoeld gebruik

De STANLEY FATMAX-decoupeerzaag is ontworpen voor het zagen van hout, kunststof en plaatmetaal. Dit gereedschap is bedoeld voor professionele en voor niet-professionele gebruikers.

Instructies voor de veiligheid

Algemene veiligheidswaarschuwingen voor elektrisch gereedschap



Waarschuwing! Lees alle veiligheidswaarschuwingen, instructies, illustraties en specificaties die bij dit elektrisch gereedschap zijn meegeleverd. Het niet opvolgen van de hieronder vermelde waarschuwingen en instructies kan leiden tot een elektrische schok, brand en/of ernstig persoonlijk letsel.

Bewaar alle waarschuwingen en instructies zodat u deze later ook kunt raadplegen. De term "elektrisch gereedschap" in de hieronder vermelde waarschuwingen verwijst naar uw (met een snoer) op de netspanning aangesloten elektrische gereedschap of naar (draadloos) elektrisch gereedschap met een accu.

1. Veiligheid op de werkplek

- a. **Houd het werkgebied schoon en goed verlicht.** Op rommelige of donkere plekken kunnen gemakkelijk ongelukken gebeuren.
- b. **Bedien elektrisch gereedschap niet in een explosieve omgeving, zoals in de nabijheid van ontvlambare vloeistoffen, gassen of stof.** Elektrisch gereedschap veroorzaakt vonken die het stof of de dampen kunnen doen ontbranden.
- c. **Houd kinderen en omstanders op een afstand wanneer u elektrisch gereedschap bedient.** Als u wordt afgeleid, kan dat u de controle over het gereedschap doen verliezen.

2. Elektrische veiligheid

- a. **Stekkers van elektrisch gereedschap moeten in het stopcontact passen. Pas de stekker nooit op enigerlei wijze aan.**
Gebruik geen adapterstekkers met geaard elektrisch gereedschap. Niet-aangepaste stekkers en passende contactdozen verminderen het risico van een elektrische schok.
- b. **Vermijd lichamelijk contact met geaarde oppervlakken zoals buizen, radiatoren, fornuizen en koelkasten.** Er bestaat een verhoogd risico op een elektrische schok als uw lichaam geaard is.

- c. **Stel elektrisch gereedschap niet bloot aan regen of natte omstandigheden.** Als er water elektrisch gereedschap binnendringt, verhoogt dit het risico van een elektrische schok.
- d. **Behandel het netsnoer voorzichtig. Draag het elektrisch gereedschap nooit aan het snoer, trek het gereedschap nooit aan het snoer naar u toe, en trek de stekker nooit aan het snoer uit het stopcontact.** Houd het snoer uit de buurt van warmte, olie, scherpe randen of bewegende onderdelen. Beschadigde snoeren of snoeren die in de war zijn geraakt, verhogen het risico van een elektrische schok.
- e. **Gebruik, wanneer u elektrisch gereedschap buitenshuis gebruikt, een verlengsnoer dat geschikt is voor gebruik buitenshuis.** Het gebruik van een verlengsnoer dat geschikt is voor werken buitenshuis, vermindert het risico van een elektrische schok.
- f. **Als het werken met elektrisch gereedschap op een vochtige locatie onvermijdelijk is, zorg er dan voor dat de stroomvoorziening beveiligd is met een aardlekschakelaar.** Het gebruik van een aardlekschakelaar vermindert het risico van een elektrische schok.

3. Persoonlijke veiligheid

- a. **Blijf alert, kijk wat u doet en gebruik uw gezond verstand wanneer u met elektrisch gereedschap werkt. Gebruik het gereedschap niet wanneer u vermoeid bent of onder invloed van drugs, alcohol of medicatie.** Een moment van onoplettendheid tijdens het bedienen van elektrische gereedschap kan leiden tot ernstig persoonlijk letsel.
- b. **Draag persoonlijke beschermende kleding. Draag altijd oogbescherming.** Beschermende uitrusting, zoals een stofmasker, antislip veiligheidsschoenen, een helm, of gehoorbescherming, gebruikt in de juiste omstandigheden, zal het risico van persoonlijk letsel verminderen.
- c. **Zorg ervoor dat het gereedschap niet per ongeluk kan worden gestart. Controleer dat de schakelaar in de stand Uit (Off) staat voor u het gereedschap aansluit op de stroombron en/of de accu plaatst en voor u het gereedschap oppakt en draagt.** Het dragen van elektrisch gereedschap met uw vinger op de schakelaar of het van stroom voorzien van elektrisch gereedschap waarvan de schakelaar in de stand Aan staat, kan gemakkelijk leiden tot ongelukken.
- d. **Verwijder alle stelsleutels of moersleutels voordat u het elektrisch gereedschap inschakelt.** Een steeksleutel of stelsleutel die in een ronddraaiend onderdeel van het elektrische gereedschap is achtergebleven, kan persoonlijk letsel veroorzaken.

- e. **Reik niet buiten uw macht. Blijf te allen tijde stevig in evenwicht en met beide voeten op de grond staan.** Dit zorgt voor betere controle van het elektrisch gereedschap in onverwachte situaties.
- f. **Draag de juiste kleding. Draag geen loszittende kleding of sieraden. Houd uw haar, kleding en handschoenen uit de buurt van bewegende onderdelen.** Loszittende kleding, sieraden of lang haar kunnen door bewegende delen worden gegrepen.
- g. **Als er in apparaten wordt voorzien voor het aansluiten van apparatuur voor stofafzuiging of het opvangen van stof, zorg er dan voor dat deze goed wordt aangesloten en gebruikt.** Het gebruik van stofafzuiging kan aan stof gerelateerde gevaren verminderen.
- h. **Denk niet dat u, doordat u gereedschap veel hebt gebruikt, wel weet hoe het werkt en dat u de veiligheidsbeginselen van het gereedschap wel kunt negeren.** Een onvoorzichtige handeling kan in een fractie van een seconde ernstig letsel veroorzaken.
4. **Gebruik en verzorging van elektrisch gereedschap**
- a. **Forceer het elektrisch gereedschap niet. Gebruik het juiste elektrisch gereedschap voor uw toepassing.** Het juiste elektrisch gereedschap voert de werkzaamheden waarvoor het is ontworpen, beter en veiliger uit.
- b. **Gebruik het gereedschap niet als u het niet met de schakelaar in en uit kunt schakelen.** Ieder gereedschap dat niet met de schakelaar kan worden bediend, is gevaarlijk en moet worden gerepareerd.
- c. **Haal de stekker uit het stopcontact en/of neem de accu, als deze uitneembaar is, uit het gereedschap voordat u aanpassingen uitvoert, accessoires verwisselt, of het elektrisch gereedschap opbergt.** Dergelijke preventieve veiligheidsmaatregelen verminderen het risico dat het elektrisch gereedschap per ongeluk wordt gestart.
- d. **Bewaars gereedschap dat niet wordt gebruikt, buiten het bereik van kinderen en laat niet toe dat personen die onbekend zijn met het elektrisch gereedschap of deze instructies het gereedschap bedienen.** Elektrisch gereedschap zijn gevaarlijk in handen van ongetrainde gebruikers.
- e. **Onderhoud elektrisch gereedschap en accessoires goed. Controleer op verkeerde uitlijning en het aanlopen van bewegende onderdelen, breuk van onderdelen en andere omstandigheden die de werking van het elektrisch gereedschap nadelig kunnen beïnvloeden. Laat het gereedschap voor gebruik repareren, als het is beschadigd.** Veel ongelukken worden veroorzaakt doordat elektrisch gereedschap niet goed is onderhouden.
- f. **Houd gereedschap scherp en schoon.** Goed onderhouden gereedschap met scherpe snijranden loopt minder snel vast en is gemakkelijker onder controle te houden.
- g. **Gebruik elektrisch gereedschap, accessoires en dergelijke volgens deze aanwijzingen. Houd daarbij rekening met de arbeidsomstandigheden en de uit te voeren werkzaamheden.**
Gebruik van het elektrische gereedschap voor werkzaamheden die anders zijn dan het bedoelde gebruik, kunnen leiden tot een gevaarlijke situatie.
- h. **Houd de handgrepen droog, schoon en vrij van olie en vet.** Door gladde handgrepen en oppervlakken die u beet pakt, kan veilig werken en bedienen van het gereedschap in onverwachte situaties onmogelijk worden.
5. **Gebruik en onderhoud van accugereedschap**
- a. **Laad de accu alleen op met de lader die wordt opgegeven door de fabrikant.** Een lader die geschikt is voor het ene type accu, kan een risico van brand doen ontstaan bij gebruik met een andere accu.
- b. **Gebruik elektrisch gereedschap alleen in combinatie met specifiek vermelde accu's.** Het gebruik van andere accu's kan gevaar voor letsel en brand opleveren.
- c. **Houd accu's die niet worden gebruikt uit de buurt van andere metalen voorwerpen, zoals paperclips, munten, spijkers, schroeven of andere kleine metalen voorwerpen die een verbinding van de ene pool naar de andere tot stand kunnen brengen.** Als kortsluiting tussen de polen van de accu's wordt gemaakt, kunnen brandwonden of brand worden veroorzaakt.
- d. **Wanneer de accu niet goed wordt behandeld, kan er vloeistof uit de accu spuiten, vermijd contact met deze vloeistof. Als er per ongeluk contact ontstaat, spoel dan met water. Als de vloeistof in de ogen komt, roep dan tevens medische hulp in.** Vloeistof die uit de batterij komt, kan irritatie en brandwonden veroorzaken.
- e. **Werk niet met een accu of met gereedschap dat beschadigd is of waaraan wijzigingen zijn aangebracht.** Beschadigde of gemodificeerde accu's kunnen zich onvoorspelbaar gedragen en dat kan brand, explosie of een risico van letsel tot gevolg hebben.
- f. **Stel een accu of gereedschap niet bloot aan open vuur of uitzonderlijk hoge temperatuur.** Brand of een temperatuur boven de 130 °C kunnen de accu doen exploderen.
- g. **Volg alle instructies voor het opladen en laad de accu of het gereedschap niet op buiten het temperatuurbereik dat in de instructies wordt opgegeven.** Door op onjuiste wijze opladen of opladen bij een temperatuur buiten het opgegeven bereik kan de accu beschadigd raken en het risico van brand toenemen.

6. Service

- a. **Zorg dat u gereedschap wordt onderhouden door een erkende reparateur die uitsluitend identieke vervangende onderdelen gebruikt. Dit garandeert dat de veiligheid van het gereedschap behouden blijft.**
- b. **Probeer nooit beschadigde ACCU'S te repareren. De reparaties aan ACCU'S mogen alleen worden uitgevoerd door de fabrikant of door geautoriseerde servicecentra.**

dat andere personen op de werkvloer of die de werkvloer betreden eveneens zijn beschermd.

- Het bedoeld gebruik wordt beschreven in deze gebruiksaanwijzing. Het gebruik van andere accessoires of hulpstukken dan wel de uitvoering van andere handelingen met dit gereedschap dan in deze gebruikershandleiding worden aanbevolen, kan tot persoonlijk letsel en/of schade aan eigendom leiden.

Aanvullende veiligheidswaarschuwingen voor decoupeerzagen en reciprozagen

- **Houd het gereedschap vast bij de geïsoleerde greepoppervlakken wanneer u een handeling uitvoert waarbij het accessoire van het zaaggereedschap met verborgen bedrading in aanraking kan komen.** Accessoires van zaaggereedschap die in contact komen met bedrading waar spanning op staat, kunnen metalen onderdelen van het elektrisch gereedschap onder stroom zetten en de gebruiker een elektrische schok geven.
- **Zet het werkstuk met klemmen of op een andere praktische manier vast en ondersteun het op een stabiele ondergrond.** Wanneer u het werkstuk vasthoudt met de hand of het tegen uw lichaam gedrukt houdt, is het instabiel en kunt u de controle verliezen.
- **Blijf met uw handen uit de buurt van het zaaggebied.** Steek uw handen nooit, om welke reden dan ook, onder het werkstuk. Blijf met uw vingers en duim uit de buurt van het heen en weer bewegende zaagblad en van de heen en weer bewegende zaagbladklem. Houd de zaag niet in evenwicht door de zool vast te houden.
- **Houd zaagbladen scherp.** Door botte of beschadigde bladen kan de zaag onder druk afwijken of blijven steken. Gebruik altijd het juiste type zaagblad voor het werkstukmateriaal en het type zaagsnede.
- **Controleer, wanneer u een pijp of buis gaat doorzagen, dat deze geen water, elektrische bedrading, enz., bevat.**
- **Raak het werkstuk of het zaagblad niet meteen na het zagen aan.** Zij kunnen zeer heet worden.
- **Wees bedacht op verborgen gevaren. Controleer waar zich bedrading en leidingen bevinden voor u in muren, vloeren of plafonds zaagt.**
- **Nadat u de schakelaar hebt losgelaten, blijft het zaagblad nog even bewegen.** Schakel het gereedschap altijd uit en wacht tot het zaagblad volledig tot stilstand is gekomen voor u het gereedschap neerlegt.

Veiligheid van anderen

- Dit gereedschap mag niet worden gebruikt door personen (waaronder kinderen) die lichamelijk of geestelijk mindervalide zijn of die geen ervaring met of kennis van dit gereedschap hebben, tenzij ze onder toezicht staan of instructies krijgen wat betreft het gebruik van het gereedschap van een persoon die verantwoordelijk is voor hun veiligheid.
- Houd toezicht op kinderen zodat zij niet met het apparaat kunnen spelen.

Overige risico's.

Er kunnen zich nog meer risicovolle situaties voordoen wanneer u het gereedschap gebruikt, die mogelijk niet in de bijgesloten veiligheidswaarschuwingen worden vermeld. Deze risico's kunnen voortvloeien uit verkeerd gebruik, langdurig gebruik, enz.

Zelfs bij het toepassen van de relevante veiligheidsvoorschriften en het gebruik van veiligheidsvoorzieningen zullen bepaalde risico's misschien niet kunnen worden vermeden. Dit zijn onder meer:

- Verwondingen die worden veroorzaakt door het aanraken van draaiende of bewegende onderdelen.
- Verwondingen die worden veroorzaakt bij het vervangen van onderdelen, bladen of accessoires.
- Verwondingen die worden veroorzaakt door langdurig gebruik van het gereedschap. Las vooral regelmatig pauzes in wanneer u gereedschap langdurig achtereen gebruikt.
- Gehoorbeschadiging.
- Gezondheidsrisico's als gevolg van het inademen van stof dat door gebruik van het gereedschap wordt veroorzaakt (bijvoorbeeld tijdens het werken met hout, vooral eiken, beuken en MDF.)

Trilling

De aangegeven waarden voor trillingsemisatie in de technische gegevens en de conformiteitsverklaring zijn gemeten conform een standaardtestmethode die door EN 62841 wordt geboden. Hiermee kan het ene gereedschap met het andere worden vergeleken. De verklaarde trillingsemisiewaarde kan ook worden gebruikt voor een voorlopige beoordeling van blootstelling.



Waarschuwing! Contact met of inademing van het stof dat bij het zagen vrijkomt, kan de gezondheid van de gebruiker en omstanders schaden. Draag een stofmasker dat speciaal is ontworpen ter bescherming tegen stoffen en dampen, en let erop



Waarschuwing! De trillingsemissiewaarde tijdens werkelijk gebruik van het elektrisch gereedschap kan verschillen van de verklaarde waarde, afhankelijk van de manieren waarop het gereedschap wordt gebruikt. De trillingswaarde kan toenemen tot boven het vermelde niveau.

Bij het beoordelen van blootstelling aan trilling ter vaststelling van de veiligheidsmaatregelen die worden vereist volgens 2002/44/EG ter bescherming van personen die in hun werk regelmatig elektrisch gereedschap gebruiken, moet een schatting van de blootstelling aan trilling de feitelijke gebruiksomstandigheden en de manier waarop het gereedschap wordt gebruikt in overweging nemen, en ook rekening houden met alle onderdelen van de bedrijfscyclus zoals het aantal malen dat het gereedschap wordt uitgeschakeld en dat het gereedschap stationair draait, in aanvulling op de ingeschakelde tijd.

Etiketten op het gereedschap

De volgende symbolen zijn op het apparaat aangegeven:



Waarschuwing! Beperk het risico van letsel, de gebruiker moet de instructiehandleiding lezen.

Aanvullende veiligheidsinstructies voor accu's en laders

Accu's

- Probeer nooit de accu om welke reden dan ook open te maken.
- Stel de batterij niet bloot aan water.
- Bewaar deze niet op locaties met temperaturen van meer dan 40 °C.
- Laad de accu's alleen op bij omgevingstemperaturen tussen 10 - 40 °C.
- Gebruik alleen de lader die bij het apparaat is geleverd.
- Gooi lege accu's weg volgens de instructies in het gedeelte "Milieu".



Laad beschadigde accu's niet op.

Laders

- Gebruik de lader van Stanley Fat Max alleen voor de accu's in het apparaat waarbij de lader is bijgeleverd. Andere accu's kunnen exploderen met lichamelijk letsel en schade aan eigendommen als gevolg.
- Niet-laadbare accu's mogen nooit worden opgeladen.
- Een defect snoer moet direct worden vervangen.
- Stel de lader niet bloot aan water.
- Open de lader niet.
- Prik nooit met een scherp voorwerp in de lader.



De lader is uitsluitend bestemd voor gebruik binnenshuis.



Lees voor gebruik deze gebruikershandleiding.

Elektrische veiligheid



De lader is dubbel geïsoleerd, zodat een aardeaansluiting niet nodig is. Controleer altijd dat de netspanning overeenkomt met de waarde op het typeplaatje. Probeer nooit de lader door een normale netstekker te vervangen.

- Als het netsnoer is beschadigd, moet dit worden vervangen door de fabrikant of een STANLEY FATMAX-servicecentrum zodat gevaarlijke situaties worden voorkomen.

Functies

Dit gereedschap is voorzien van enkele van de volgende functies of alle volgende functies.

1. Schakelaar voor variabele snelheid/Aan/Uit
2. Knop voor vergrendeling in de Uit-stand
3. Vergrendelingshendel voor zaagblad
4. Zaagbladklem
5. Zool
6. Knop voor zaagbeweging
7. Accu

Gebruik



Waarschuwing! Laat het gereedschap op z'n eigen snelheid werken. Overbelast het niet.

De accu opladen (Afb. A)

De accu moet vóór het eerste gebruik worden opgeladen en ook zodra deze niet meer voldoende vermogen levert voor taken die eerst gemakkelijk konden worden uitgevoerd. Tijdens het opladen kan de accu warm worden. Dit is normaal en duidt niet op een probleem.



Waarschuwing! Laad de batterij niet op bij een omgevingstemperatuur van lager dan 10 °C of hoger dan 40 °C. De aanbevolen laadtemperatuur ligt op ongeveer 24 °C.

Opmerking: De lader functioneert niet als de temperatuur van de accu lager is dan ongeveer 10 °C of hoger dan 40 °C.

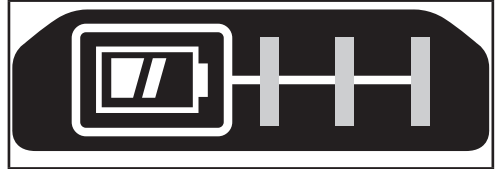
Laat de accu in dat geval in de lader zitten. De lader wordt automatisch ingeschakeld wanneer de accu de juiste temperatuur heeft.

Opmerking: U kunt maximale prestaties en levensduur van lithium-ion-accu's garanderen door de accu's volledig op te laden voordat u ze voor het eerst in gebruik neemt.

- Steek de lader (8) in een geschikt stopcontact voordat u de accu (7) plaatst.
- Het groene laadlampje (8a) zal ononderbroken knipperen ten teken dat de laadprocedure is begonnen.
- Een volledig opgeladen accu wordt aangegeven door het groene lampje (8a) dat constant AAN blijft. De accu (7) is volledig opgeladen en kan worden gebruikt of kan in de acculader (8) blijven zitten.
- Lege accu's moet u binnen 1 week opladen. Als u accu's leeg bewaart, loopt de levensduur van de accu's aanzienlijk terug.

Laadniveau-indicator (Afb. B)

Deze accu is voorzien van een laadniveau-indicator, zodat u snel de laadstatus van de accu kunt zien, zoals afgebeeld in afbeelding B. Door op de laadniveau-knop (7a) te drukken kunt u eenvoudig de resterende lading van de accu zien, zoals afgebeeld in afbeelding B.



Acculader LED-standen

	Bezig met opladen: Groene LED knippert	
	Geheel opgeladen: Groene LED blijft branden	
	Hete/koude accu vertraging: Groene LED knippert Rode LED blijft branden	

De accu in het gereedschap plaatsen en eruit nemen

⚠ Waarschuwing! Controleer dat de knop voor vergrendeling in de Uit-stand is ingeschakeld zodat de tacker niet kan worden ingeschakeld, voordat u de accu uitneemt of plaatst.

De accu plaatsen (Afb. C)

- Plaats de accu in het gereedschap tot u een klik hoort, zoals wordt getoond in Afbeelding C. Controleer dat de accu goed op z'n plaats zit en volledig is vergrendeld.

De accu uitnemen (Afb. C)

- Druk op de accuvrijgaveknop (7b), zoals in afbeelding C wordt getoond en trek de accu uit het gereedschap.

Opberghaak (Als optie verkrijgbaar) (Afb. D)

⚠ Waarschuwing! Voorkom het risico van ernstig persoonlijk letsel: plaats de vooruit/achteruit-knop in de vergrendel/uit-positie of schakel het gereedschap uit en haal de accu eruit voordat u aanpassingen aanbrengt of hulpstukken of accessoires verwijderd/plaatst. Wanneer het gereedschap per ongeluk wordt gestart, kan dat leiden tot letsel.

⚠ Waarschuwing! Beperk het risico van ernstig persoonlijk letsel, let erop dat de schroef (10) waarmee de opberghaak vastzit, goed is bevestigd.

Opmerking: Gebruik voor het bevestigen of vervangen van de opberghaak (9) alleen de schroef (10) die is bijgeleverd. Let erop dat de schroef stevig is vastgedraaid. Als u de haak niet wilt gebruiken, kunt u deze van het gereedschap nemen.

U kunt de opberghaak verplaatsen door de schroef (10) die de opberghaak (9) op z'n plaats houdt, te verwijderen.

Opmerking: Er zijn verschillende trackwall-haken en -opbergsystemen leverbaar. Ga naar onze website www.stanley.eu/3 voor meer informatie.

Opmerking: De geschikte lader(s) laden niet een kapotte accu op. Gaat de laadindicator niet branden, dan is dat een teken dat de accu kapot is.

Opmerking: Dit kan ook betekenen dat er iets mis is met de lader. Als de lader laat zien dat er een probleem is, laat de lader en de accu dan testen door een geautoriseerd servicecentrum.

De accu in de lader laten zitten

U kunt de accu gedurende onbepaalde tijd in de lader laten zitten terwijl het oplaadlampje brandt. De lader houdt de accu volledig opgeladen.

Hot/Cold Pack Delay (Vertraging Hete/Koude Accu)

Wanneer de lader detecteert dat de accu te koud of te warm is, start de lader automatisch een vertraging hete/koude accu, de groene LED (8a) knippert, terwijl de rode LED (8b) aan blijft, het laadproces wordt uitgesteld tot de accu de juiste temperatuur heeft bereikt. De lader schakelt dan automatisch over op de accu-laadstand. Deze functie waarborgt een maximale levensduur van de accu.

Montage



Waarschuwing! Verwijder voor montage de accu van het gereedschap en controleer dat het zaagblad niet meer beweegt. Zaagbladen die kort tevoren in gebruik zijn geweest, kunnen heet zijn.

Het zaagblad aanbrengen en verwijderen (Afb. E)

- Houd het zaagblad (11) vast met de tanden van het zaagblad naar voren gericht.
- Duw de vergrendelingshendel (3) van het zaagblad omlaag.
- Plaats de zaagbladschacht volledig, zo ver mogelijk, in de zaagbladklem (4).
- Laat de hendel los.
- Duw, als u het zaagblad wilt verwijderen (11), de vergrendelingshendel (3) van het zaagblad omlaag en trek het zaagblad uit.



Waarschuwing! Het zaagblad kan heet aanvoelen na gebruik. Draag altijd handschoenen wanneer u zaagbladen verwijdert.

In- en uitschakelen (Afb. F)

- U schakelt het gereedschap in door de knop (2) voor vergrendeling in de uit-stand naar links te schuiven en vervolgens de schakelaar (1) voor variabele snelheid/aan/uit in te trekken en vast te houden.
- Laat de schakelaar (1) los als u het gereedschap wilt uitschakelen.



Waarschuwing! Zet het gereedschap niet uit of aan terwijl het wordt belast.



Waarschuwing! Schuif de schakelaar (2) voor vergrendeling in de uit-stand altijd naar rechts, in de vergrendelde positie, wanneer het gereedschap niet wordt gebruikt.

Variabele-snelheidsregeling

De schakelaar voor variabele snelheid/aan/uit biedt een keuze aan snelheden, u kunt hierdoor met de zaag veel beter werken in diverse materialen.

- De snelheid van het gereedschap wordt bepaald door hoe ver de aan/ui-schakelaar (1) wordt ingetrokken.

Schuine zaagsneden (Afb. G, H & I)

De zool kan onder een linker- of rechterhoek van 45° worden geplaatst.

Als u de zaaghoek wilt instellen:

- Draai de bevestigingsbout (12) van de zool los met de inbussleutel die is meegeleverd voor het ontgrendelen van de zool (5).

- U kunt de zool (5) losmaken uit de 0°-stand door de zool naar voren te schuiven.
- Draai de zool naar de gewenste zaaghoek (Afb. H).
- Schuif de zool naar achteren zodat deze vast komt te zitten in de linker of rechter stand.
- Draai de bevestigingsbout (12) van de zool aan met de geleverde inbussleutel zodat de zool (5) in de gewenste positie wordt vergrendeld.

Opmerking: De zool kan naar rechts en links worden gekanteld, onder een hoek van 45°.

Zaagwerking (Afb. J)

Deze decoupeerzaag is uitgerust met drie zaagstanden, twee voor het zagen in een cirkel en één voor rechthoekig zagen. De ronde zaagwerking heeft een agressievere zaagbladbeweging en is ontworpen voor het zagen van zachte materialen zoals hout en kunststof. De ronde zaagwerking geeft een snellere zaagbeweging, maar een minder gelijkmatige zaagsnede door het materiaal. Bij de ronde zaagbeweging beweegt het zaagblad naar voren tijdens de zaagslag, in aanvulling op de op- en neergaande beweging.



Waarschuwing! Metaal en hardhout moet u nooit rond zagen.

- Schuif de knop voor het instellen van de zaagbeweging (6) tussen de drie zaagstanden: 0, 1 en 2.
- Stand 0 is voor rechthoekig zagen.
- Stand 1 en 2 zijn voor zagen in een cirkel.
- U kunt de hendel instellen van stand Een tot Twee, op Twee werkt de zaagmachine op z'n krachtigst.

Zagen

- Houd het gereedschap altijd met beide handen vast.
- Laat het blad een paar seconden vrij bewegen voordat u begint te zagen.
- Voer slechts geringe druk op het gereedschap uit terwijl u zaagt.
- Druk indien mogelijk de zool (5) tijdens het zagen altijd tegen het werkstuk. Hierdoor hebt u meer controle over het gereedschap en treden minder trillingen op. Bovendien wordt zo voorkomen dat het blad wordt beschadigd.

Aanwijzingen voor optimaal gebruik Algemeen

- Gebruik voor hout een hoge snelheid, voor aluminium en PVC een gemiddelde snelheid en voor andere metalen dan aluminium een lage snelheid.

Gelaagde materialen zagen

Omdat het blad tijdens de opwaartse slag zaagt, kan er splintvorming optreden bij het vlak dat zich het dichtst bij de zool bevindt.

- Gebruik een zaagblad met fijne tanden.

- Het werkstuk aan de achterkant zagen.
- Klem een stuk afvalhout of hardboard aan weerszijden van het werkstuk en zaag door al deze lagen om de splintervorming te minimaliseren.

Recycle elektrische producten en accu's volgens de ter plaatse geldende voorschriften. Nadere informatie is beschikbaar op www.2helpU.com

Metaal zagen

Houd er rekening mee dat het zagen bij metaal veel meer tijd kost dan bij hout.

- Gebruik een zaagblad dat geschikt is voor het zagen van metaal. Gebruik een zaagblad met fijne tanden voor ijzer en ijzerhoudende metalen en een ruwer zaagblad voor andere metalen.
- Voor het zagen van stukken plaatmetaal kunt u een stuk afvalhout of hardboard aan de achterkant van het werkstuk klemmen, waarna u door deze sandwich zaagt.
- Breng een oliefilm aan langs de gewenste zaaglijn.

Accessoires

De prestaties van het gereedschap zijn afhankelijk van de gebruikte accessoires. Accessoires van STANLEY FATMAX zijn ontworpen met het doel aan hoge kwaliteitsnormen te voldoen en de prestaties van uw gereedschap te verhogen. Door deze accessoires te gebruiken kunt u uw gereedschap nog beter laten presteren.

Dit gereedschap is geschikt voor zaagbladen met een U- of T-schacht.

Onderhoud

Uw gereedschap is ontworpen om gedurende een lange periode te functioneren met een minimum aan onderhoud. Het continu naar tevredenheid functioneren hangt af van de juiste zorg voor het gereedschap en regelmatig schoonmaken.



Waarschuwing! Schakel de machine uit en haal de stekker uit het stopcontact voordat er onderhoud wordt uitgevoerd.

- Reinig regelmatig de ventilatieopeningen van het gereedschap en de lader met een zachte borstel of droge doek.
- Reinig de behuizing van de motor regelmatig met een vochtige doek. Gebruik geen schuurmiddelen of schoonmaakmiddelen die op een oplosmiddel zijn gebaseerd.
- Breng van tijd tot tijd een druppel olie aan op de as van de bladsteunrol.

Bescherming van het milieu



Gescheiden afvalinzameling. Producten en accu's die zijn voorzien van dit symbool mogen niet worden weggegooid bij het normale huishoudafval.

Producten en accu's bevatten materialen die kunnen worden herwonnen en gerecycled waardoor de vraag naar grondstoffen afneemt.

Technische gegevens

		SFMC600 (H1)
Spanning	V_{dc}	18
Snelheid onbelast	min^{-1}	0 - 2500
Slaglengthe	mm	19
Max. zaagdiepte		
Hout	mm	55
Staal	mm	8
Aluminium	mm	20
Gewicht	kg	2,62

Lader		SFMCB11	SFMCB12	SFMCB14
Ingangsspanning	V_{AC}	230	230	230
Uitgangsspanning	V_{DC}	18	18	18
Laadstroom	A	1,25	2	4

Accu		SFMCB201	SFMCB202	SFMCB204	SFMCB206
Spanning	V_{DC}	18	18	18	18
Capaciteit	Ah	1,5	2,0	4,0	6,0
Type		Li-Ion	Li-Ion	Li-Ion	Li-Ion

Geluidsdruk niveau volgens EN62841:
Geluidsdruk (L_{pA}) 82 dB(A), meetonzekerheid (K) 5 dB(A)
Geluidsvermogen (L_{WA}) 93 dB(A), meetonzekerheid (K) 5 dB(A)

Totale trillingswaarden (som triaxvector) volgens EN62841:
Planken zagen ($a_{h, B}$) 4,9 m/s^2 , onzekerheid (K) 1,5 m/s^2
Plaatmetaal zagen ($a_{h, M}$) 8,8 m/s^2 , onzekerheid (K) 1,5 m/s^2

EG-verklaring van overeenstemming

RICHTLIJN VOOR MACHINES



Snoerloze decoupeerzaag - SFMCS600

Stanley Europa verklaart dat deze producten die worden beschreven onder "technische gegevens" voldoen aan: 2006/42/EC, EN62841-1:2015, EN62841-2-11:2016

Deze producten voldoen ook aan Richtlijn 2014/30/EU en 2011/65/EU. Neem voor meer informatie contact op met Stanley Europa op het volgende adres of kijk op de achterzijde van de handleiding.

De ondergetekende is verantwoordelijk voor de samenstelling van het technische bestand en legt deze verklaring af namens Stanley Europa.

A.P. Smith

Technical Director of Engineering

STANLEY FATMAX Europe, Egide Walschaertsstraat 14-18,
2800 Mechelen, België
2019-10-22

Garantie

STANLEY FATMAX heeft vertrouwen in zijn producten en biedt consumenten een garantie van 12 maanden vanaf de datum van aankoop. Deze garantie is een aanvulling op uw wettelijke rechten en maakt op geen enkele wijze inbreuk daarop. De garantie is geldig binnen het grondgebied van de Lidstaten van de Europese Unie en de Europese Vrijhandelszone.

Voor een garantie-aanspraak moet uw aanspraak in overeenstemming zijn met de STANLEY FATMAX garantievoorwaarden en moet u een bewijs van aankoop overleggen aan de verkoper of een geautoriseerde reparatiemonteur. De garantievoorwaarden van de STANLEY FATMAX 1-jarige garantie en het adres van een geautoriseerde reparatiemonteur bij u in de buurt, kunt u vinden op www.2helpU.com, of door contact op te nemen met het STANLEY FATMAX-kantoor bij u in de buurt, het adres staat in deze handleiding vermeld.

Bezoek onze website www.stanleytools.eu/3 en registreer uw nieuwe STANLEY FATMAX-product, zodat u updates over nieuwe producten en speciale aanbiedingen kunt ontvangen.

Uso previsto

La sierra de calar de STANLEY FATMAX ha sido diseñada para serrar madera, plástico y planchas de metal. Esta herramienta está pensada para usuarios profesionales y para usuarios no profesionales.

Instrucciones de seguridad

Advertencias de seguridad generales para herramientas eléctricas



¡Advertencia! Lea todas las advertencias de seguridad, instrucciones, ilustraciones y especificaciones suministradas con esta herramienta eléctrica. El incumplimiento de las advertencias e instrucciones que aparecen a continuación podría provocar una descarga eléctrica, un incendio y/o lesiones graves.

Guarde todas las advertencias e instrucciones para poder consultarlas con posterioridad. El término "herramienta eléctrica" que aparece en todas las advertencias que aparecen a continuación se refiere a la herramienta eléctrica que funciona a través de la red eléctrica (con cable) o a la herramienta eléctrica que funciona con batería (sin cable).

1. Seguridad en la zona de trabajo

- Mantenga su área de trabajo limpia y bien iluminada.** Las áreas en desorden u oscuras pueden provocar accidentes.
- No utilice herramientas eléctricas en atmósferas explosivas, como ambientes donde haya polvo, gases o líquidos inflamables.** Las herramientas eléctricas originan chispas que pueden inflamar el polvo o los gases.
- Mantenga alejados a los niños y a las personas que estén cerca mientras utiliza una herramienta eléctrica.** Las distracciones pueden ocasionar que pierda el control.

2. Seguridad eléctrica

- Los enchufes de las herramientas eléctricas deben corresponderse con la toma de corriente. No modifique nunca el enchufe de ninguna forma. No utilice ningún enchufe adaptador con herramientas eléctricas conectadas a tierra (a masa).** Los enchufes no modificados y las tomas de corriente correspondientes reducirán el riesgo de descarga eléctrica.
- Evite el contacto corporal con superficies conectadas a tierra tales como tuberías, radiadores, cocinas y neveras.** Existe un mayor riesgo de descarga eléctrica si su propio cuerpo está conectado a tierra.

- c. **No exponga las herramientas eléctricas a la lluvia ni a condiciones húmedas.** Si entra agua en una herramienta eléctrica, aumenta el riesgo de descarga eléctrica.
 - d. **No someta el cable de alimentación a presión innecesaria. No use nunca el cable para transportar, tirar de la herramienta eléctrica o desenchufarla. Mantenga el cable alejado del calor, aceite, bordes afilados y piezas en movimiento.** Los cables dañados o enredados aumentan el riesgo de descarga eléctrica.
 - e. **Cuando esté utilizando una herramienta eléctrica al aire libre, use un cable prolongador adecuado para uso en exteriores.** La utilización de un cable adecuado para el uso en exteriores reduce el riesgo de descarga eléctrica.
 - f. **Si no puede evitar utilizar una herramienta eléctrica en un lugar húmedo, use un suministro protegido con un dispositivo diferencial residual (DDR).** El uso de un dispositivo de corriente residual reduce el riesgo de descarga eléctrica.
- 3. Seguridad personal**
- a. **Manténgase alerta, esté atento a lo que hace y use el sentido común cuando utilice una herramienta eléctrica.**
No maneje una herramienta eléctrica cuando esté cansado o bajo los efectos de drogas, medicamentos o alcohol. Un momento de desatención cuando se manejan las herramientas eléctricas puede ocasionar lesiones personales graves.
 - b. **Utilice equipo de seguridad personal. Utilice siempre protección ocular.** El uso del equipo protector, como mascarillas antipolvo, calzado antideslizante, casco o protección auditiva para condiciones apropiadas, reducirá las lesiones personales.
 - c. **Evite la puesta en funcionamiento involuntaria. Asegúrese de que el interruptor esté en posición de apagado antes de conectar con la fuente de alimentación y/o la batería, de levantar o transportar la herramienta.** El transportar herramientas eléctricas con el dedo puesto en el interruptor o herramientas eléctricas activadoras que tengan el interruptor encendido puede provocar accidentes.
 - d. **Saque cualquier llave de ajuste o llave inglesa antes de encender la herramienta eléctrica.** Una llave inglesa u otra llave que se deje puesta en una pieza en movimiento de la herramienta eléctrica pueden ocasionar lesiones personales.
 - e. **No se estire demasiado. Mantenga un equilibrio adecuado y la estabilidad constantemente.** Esto permite un mejor control de la herramienta eléctrica en situaciones inesperadas.
 - f. **Use la vestimenta adecuada. No se ponga ropa suelta o joyas. Mantenga el cabello y la ropa alejados de las piezas móviles.** La ropa suelta, las joyas y el pelo largo pueden quedar atrapados en las piezas en movimiento.
 - g. **Si se suministran dispositivos para la conexión del equipo de extracción y recogida de polvo, asegúrese de que estén conectados y de que se usen adecuadamente.** El uso de equipo de recogida de polvo puede reducir los riesgos relacionados con el polvo.
 - h. **No permita que la familiaridad adquirida por el uso frecuente de las herramientas le hagan confiarse demasiado e ignorar los principios de seguridad de las herramientas.** Una acción descuidada puede causar lesiones graves en una fracción de segundo.
- 4. Uso y cuidado de la herramienta eléctrica**
- a. **No fuerce la herramienta eléctrica. Use la herramienta eléctrica correcta para su trabajo.**
La herramienta eléctrica correcta funcionará mejor y con mayor seguridad si se utiliza de acuerdo con sus características técnicas.
 - b. **No utilice la herramienta eléctrica si no puede encenderse y apagarse con el interruptor.** Toda herramienta eléctrica que no pueda controlarse con el interruptor es peligrosa y debe ser reparada.
 - c. **Desconecte el enchufe de la fuente de alimentación y/o extraiga la batería de la herramienta eléctrica, si es desmontable, antes de realizar ajustes, cambiar accesorios o guardar las herramientas eléctricas.** Dichas medidas de seguridad preventivas reducen el riesgo de poner en marcha accidentalmente la herramienta eléctrica.
 - d. **Guarde las herramientas eléctricas que no esté utilizando fuera del alcance de los niños y no permita que las utilicen las personas que no estén familiarizadas con ellas o con estas instrucciones.** Las herramientas eléctricas son peligrosas en manos de personas no capacitadas.
 - e. **Efectúe el mantenimiento de las herramientas eléctricas y de los accesorios. Compruebe si hay desalineación o bloqueo de las piezas en movimiento, rotura de piezas y otras condiciones que puedan afectar el funcionamiento de la herramienta eléctrica. Si la herramienta eléctrica está dañada, llévela a reparar antes de utilizarla.** Muchos accidentes se ocasionan por el incorrecto mantenimiento de las herramientas eléctricas.
 - f. **Mantenga las herramientas de corte afiladas y limpias.** Hay menos probabilidad de que las herramientas para cortar con bordes afilados se bloqueen y son más fáciles de controlar.

- g. **Utilice la herramienta eléctrica, los accesorios, los útiles de la herramienta, etc. de acuerdo con estas instrucciones, y tenga en cuenta las condiciones de trabajo y la tarea que se va a realizar.**

El uso de la herramienta eléctrica para operaciones que no sean las previstas puede ocasionar una situación peligrosa.

- h. **Mantenga las asas y las superficies de agarre secas, limpias y libre de aceite y grasa.** Las empuñaduras y superficies de agarre resbaladizas impiden el agarre y el control seguro de la herramienta en situaciones imprevistas.

5. Uso y cuidado de la herramienta con pilas

- a. **Haga las recargas exclusivamente con el cargador indicado por el fabricante.** Un cargador adecuado para un tipo de paquete de pilas puede provocar riesgos de incendio al ser utilizado con otro paquete de pilas.
- b. **Utilice herramientas eléctricas solamente cuando se especifique en la batería.** El uso de otras baterías puede suponer un riesgo de incendio y lesiones.
- c. **Cuando no se utilice la batería, manténgala alejada de objetos de metal como clips para papel, monedas, llaves, clavos, tornillos y otros pequeños objetos metálicos que pueden realizar una conexión de un terminal a otro.** Si provoca un cortocircuito entre los terminales de la batería, puede ocasionar un incendio o sufrir quemaduras.
- d. **En condiciones abusivas, podrá salir líquido de la batería, evite el contacto. Si se produce un contacto accidental, lávese con agua. Si el líquido entra en contacto con los ojos, busque atención médica de inmediato.** El líquido expulsado por la batería podrá provocar irritaciones o quemaduras.
- e. No utilice baterías o herramientas dañadas o modificadas. Las baterías dañadas o modificadas pueden presentar un funcionamiento imprevisto y causar incendio, explosión o riesgo de lesiones.
- f. No exponga la batería o la herramienta al fuego o a temperaturas excesivas. La exposición al fuego o a una temperatura superior a 130 °C puede causar explosión.
- g. Siga todas las instrucciones de carga y no cargue la batería o la herramienta fuera del rango de temperatura indicado en las instrucciones. La carga incorrecta o a temperaturas fuera del rango especificado puede dañar la batería y aumentar el riesgo de incendio.

6. Servicio

- a. **Lleve su herramienta eléctrica para que sea reparada por una persona cualificada para realizar las reparaciones y que use solo piezas de repuesto idénticas.** Esto le asegurará el mantenimiento de la seguridad de la herramienta eléctrica.

- b. **No repare nunca las BATERÍAS dañadas. La reparación de BATERÍAS debe ser realizada únicamente por el fabricante o los proveedores de servicios autorizados.**

Advertencias de seguridad adicionales para sierras de calar y sierras alternativas

- **Sujete la herramienta eléctrica por la superficie protegida cuando realice una operación en la que el accesorio de corte pueda entrar en contacto con cableado oculto.** El contacto de los accesorios de corte con un cable cargado puede cargar las partes metálicas expuestas de la herramienta eléctrica y producir una descarga eléctrica en el operador.
- **Utilice fijaciones u otro tipo de método para fijar y apoyar la pieza de trabajo en una plataforma estable.** Si sostiene la pieza de trabajo con las manos o con el cuerpo, la pieza quedará inestable y podrá hacer que usted pierda el control.
- **Mantenga las manos alejadas de la zona de corte.** Nunca ponga la mano bajo la pieza de trabajo. No introduzca los dedos en los alrededores de la cuchilla de vaivén ni en el enganche de ésta. No establezca la sierra agarrando la base.
- **Mantenga las cuchillas afiladas.** Las hojas flojas o dañadas pueden provocar que la sierra dé un viraje brusco o se paralice al ejercer la presión para el corte. Utilice siempre el tipo de hoja de serrar apropiada para cada tipo de material de trabajo y corte.
- **Al cortar un tubo o un conducto, compruebe que no contenga restos de agua, cableado eléctrico, etc.**
- **No toque la pieza de trabajo o la hoja justo después de utilizar la herramienta.** Pueden alcanzar temperaturas muy elevadas.
- **Tenga en cuenta los peligros ocultos; antes de serrar paredes, suelos o techos, compruebe la ubicación de los cables y tubos.**
- **La hoja seguirá moviéndose después de soltar el interruptor.** Apague la herramienta y espere siempre a que la hoja se detenga completamente antes de dejar la herramienta.



¡Advertencia! El contacto o inhalación del polvo procedente de la sierra puede poner en peligro la salud del usuario y de cualquier otra persona que se encuentre alrededor. Utilice una mascarilla diseñada específicamente para proteger contra el polvo y los vapores, y asegúrese de que las demás personas que se encuentren dentro o vayan a entrar en el área de trabajo también estén protegidas.

- En este manual se describe el uso previsto. La utilización de accesorios o la realización de operaciones con esta herramienta distintas de las recomendadas en este manual de instrucciones puede presentar un riesgo de lesiones y/o daños materiales.

Seguridad de otras personas

- Las personas (incluidos niños) con capacidades físicas, sensoriales o mentales disminuidas o que carezcan de experiencia y conocimientos no deben utilizar esta herramienta, salvo que hayan recibido supervisión o formación con respecto al uso del aparato por parte de una persona responsable de su seguridad.
- Los niños deben estar vigilados en todo momento para asegurarse de que no jueguen con el aparato.

Riesgos residuales.

Pueden producirse otros riesgos residuales al usar la herramienta que no se hayan incluido en las advertencias de seguridad adjuntas. Estos riesgos pueden derivarse de un mal uso, un uso prolongado, etc.

No obstante el cumplimiento de las normas de seguridad pertinentes y del uso de dispositivos de seguridad, existen determinados riesgos residuales que no pueden evitarse.

Esto incluye:

- Lesiones producidas por el contacto con piezas móviles o giratorias.
- Lesiones producidas al cambiar cualquier pieza, cuchilla o accesorio.
- Lesiones producidas al usar una herramienta por un tiempo demasiado prolongado. Cuando use cualquier herramienta durante periodos prolongados, asegúrese de hacer pausas regulares.
- Deterioro auditivo.
- Riesgos para la salud producidos al respirar el polvo que se genera al usar la herramienta (por ejemplo: en los trabajos con madera, especialmente de roble, haya y tableros de densidad mediana).

Vibraciones

El valor de emisión de vibraciones indicado en el apartado de características técnicas y en la declaración de conformidad se ha calculado según un método de prueba estándar proporcionado por la norma EN 62841 y puede utilizarse para comparar una herramienta con otra. El valor declarado de emisión de las vibraciones también se puede usar en una evaluación preliminar de la exposición.



¡Advertencia! El valor de emisión de las vibraciones durante el uso de la herramienta eléctrica puede variar con respecto al valor declarado, dependiendo de las formas de usar la herramienta. El nivel de las vibraciones puede superar el nivel indicado.

A la hora de evaluar la exposición a las vibraciones para determinar las medidas de seguridad exigidas por la Directiva 2002/44/CE para proteger a las personas que utilizan habitualmente herramientas electrónicas en su trabajo, una estimación de la exposición a las vibraciones debe tener en cuenta las condiciones reales de uso y la forma en que se utiliza la herramienta, teniendo en cuenta también todas las partes del ciclo operativo, como el tiempo que la herramienta está apagada y cuando funciona en ralentí, además del tiempo de activación.

Etiquetas en la herramienta

Encontrará los siguientes símbolos en la herramienta:



¡Advertencia! Para reducir el riesgo de lesiones, el usuario debe leer el manual de instrucciones.

Instrucciones de seguridad adicionales para baterías y cargadores

Baterías

- Jamás trate de abrirla por ninguna razón.
- No exponga la batería al agua.
- No las almacene en lugares en los que la temperatura pueda superar los 40 °C.
- Realice la carga únicamente a una temperatura ambiente de entre 10 °C y 40 °C.
- Utilice únicamente el cargador suministrado con la herramienta para realizar la carga.
- Para desechar las pilas o las baterías, siga las instrucciones facilitadas en la sección "Protección del medio ambiente".



No intente cargar baterías dañadas.

Los cargadores

- Utilice el cargador de Stanley Fat Max para cargar únicamente la batería de la herramienta con la que fue suministrado. En caso de intentar cargar otras baterías, estas podrían explotar, lo que podría provocar lesiones y daños personales.
- Nunca intente cargar baterías no recargables.
- Sustituya los cables defectuosos inmediatamente.
- No exponga el cargador al agua.
- No abra el cargador.
- No aplique ningún dispositivo para medir la resistencia del cargador.



Este cargador está pensado únicamente para utilizar en un lugar interior.



Lea el manual de instrucciones antes de utilizar el aparato.

Seguridad eléctrica



El cargador está provisto de doble aislamiento, por lo que no requiere una toma de tierra. Cada vez que utilice el aparato, debe comprobar que el voltaje de la red eléctrica coincide con el valor indicado en la placa de datos. No intente sustituir el cargador por un enchufe convencional para la red eléctrica.

- Si se daña el cable de alimentación, debe ser sustituido por el fabricante o por un centro de asistencia técnica autorizado de STANLEY FATMAX, para evitar cualquier situación de riesgo.

Características

Esta herramienta incluye todas o algunas de las características siguientes.

1. Interruptor de velocidad variable
2. Botón de bloqueo
3. Palanca de bloqueo de la hoja de sierra
4. Enganche de la hoja
5. Base
6. Botón de acción de corte
7. Batería

Uso



¡Advertencia! Deje que la herramienta funcione a su ritmo.

No debe sobrecargarla.

Carga del conjunto de la batería (Fig. A)

Es necesario cargar la batería antes del primer uso y cada vez que empiece a no tener suficiente potencia para tareas que eran fáciles de realizar anteriormente.

Es posible que la batería se caliente durante la carga, esto es normal y no denota ningún problema.

Advertencia: No cargue la batería si la temperatura ambiente es inferior a 10 °C o superior a 40 °C. La temperatura de carga recomendada es de aproximadamente 24 °C.

Nota: El cargador no cargará la batería si la temperatura de esta es inferior a los 10 °C o superior a los 40 °C aproximadamente.







Deje la batería en el cargador y este empezará a cargarla automáticamente cuando la temperatura de la batería aumente o disminuya.

Nota: Para garantizar el máximo rendimiento y la máxima duración de sus baterías de iones de litio, cárguelas completamente antes de utilizarlas.

- Enchufe el cargador (8) en una toma adecuada antes de introducir la batería (7).

- La luz verde de carga (8a) pestañeará continuamente, indicando que se ha iniciado el proceso de carga.
- Se indicará que la carga ha terminado cuando la luz verde de carga (8a) quede encendida de manera continua. La batería (7) está totalmente cargada y puede sacarla, usarla o dejarla en el cargador (8).
- Cargue las baterías descargadas en el plazo de 1 semana. La vida útil de la batería disminuirá considerablemente si ésta se almacena descargada.

Modos del LED del cargador

	Cargando: LED verde intermitente	
	Totalmente cargada: LED verde fijo	
	Retardo por batería fría/ caliente: LED verde intermitente LED rojo fijo	

Nota: Los cargadores compatibles no cargan las baterías defectuosas. Si el cargador no se ilumina significa que la batería está averiada.

Nota: Esto también podría significar un problema con el cargador. Si el cargador indica un problema, lleve el cargador y la batería a un centro de reparación autorizado para que los prueben.

Dejar la batería en el cargador

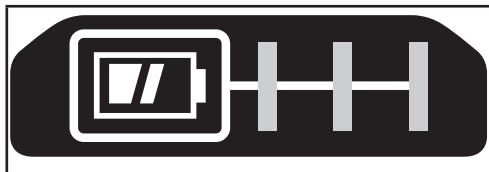
El cargador y la batería pueden permanecer conectados durante un periodo de tiempo indefinido con el indicador LED iluminado. El cargador mantendrá el conjunto de la batería a baja temperatura y completamente cargado.

Retardo por batería fría / caliente

Cuando el cargador detecta que la batería está demasiado caliente o demasiado fría, inicia automáticamente un retardo por batería fría/caliente, el LED verde (8a) parpadea en modo intermitente, y el LED rojo (8b) queda encendido continuamente, suspendiendo la carga hasta que la batería alcance la temperatura adecuada. El cargador cambiará automáticamente al modo de carga de batería. Esta característica le asegura la máxima vida útil de la batería.

Indicador del estado de la carga de la batería (Fig. B)

La batería incluye un indicador de estado de carga para determinar rápidamente la duración de la batería, como se muestra en la figura B. Pulsando el botón de estado de carga (7a) puede ver fácilmente la carga que queda en la batería, como se muestra en la figura B.



Colocar y sacar la batería de la herramienta

¡Advertencia! Asegúrese de que el botón de desbloqueo está bloqueado para evitar que se active el interruptor antes de sacar o colocar la batería.

Colocación de la batería (Fig. C)

- Inserte la batería firmemente en la herramienta hasta que se oiga un clic, como se muestra en la figura C. Compruebe que la batería esté correctamente colocada y bloqueada en su posición.

Extracción de la batería (Fig. C)

- Apriete el botón de liberación de la batería (7b) como se muestra en la figura C y saque la batería de la herramienta.

Gancho de almacenamiento (Opcional extra) (Fig. D)

¡Advertencia! Para reducir el riesgo de daños personales graves, coloque el botón de avance/retroceso en la posición de bloqueo o apague la herramienta y desconecte la batería antes de realizar cualquier ajuste o retirar o instalar piezas o accesorios. El encendido accidental puede causar lesiones.

¡Advertencia! Para reducir el riesgo de lesiones personales graves, compruebe que el tornillo (10) de sujeción del gancho de almacenamiento esté apretado.

Nota: Para colocar o sacar el gancho de almacenamiento (9), utilice solo el tornillo (10) suministrado. Asegúrese de apretar bien el tornillo.

Si no desea utilizar el gancho, podrá retirarlo de la herramienta.

Para retirar el gancho de almacenamiento, saque el tornillo (10) que sostiene el gancho de almacenamiento (9) en su lugar.

Nota: Hay disponibles varios ganchos y configuraciones de almacenamiento Trackwall.

Para más información, visite nuestro sitio web www.stanleytools.eu/3.

Ensamblaje



¡Advertencia! Antes de proceder al montaje, extraiga la batería de la herramienta y asegúrese de que la hoja se ha detenido. Después de utilizar la hoja, es posible que esté caliente.

Colocación y extracción de la hoja de la sierra (Fig. E)

- Sujete la hoja (11) con los dientes hacia delante.
- Empuje la palanca de bloqueo de la hoja de la sierra (3) hacia abajo.
- Introduzca el vástago de la hoja en el enganche de la hoja (4) completamente hasta el tope.
- Suelte la palanca.
- Para extraer la hoja de la sierra (11), empuje la palanca de bloqueo de la hoja de la sierra (3) hacia abajo y tire de la hoja hacia fuera.



¡Advertencia! Es posible que la hoja se caliente al utilizarla. Utilice siempre guantes cuando extraiga una hoja.

Encendido y apagado (Fig. F)

- Para encender la herramienta, deslice el interruptor de desbloqueo (2) hacia la izquierda y, a continuación, tire del interruptor de accionamiento de velocidad variable (1).
- Para apagar la herramienta, suelte el interruptor de accionamiento (1).



¡Advertencia! No apague ni encienda la herramienta mientras se está cargando.



¡Advertencia! Deslice siempre el interruptor de desbloqueo (2) hacia la derecha, que es la posición de bloqueo cuando la herramienta no se utiliza.

Control de la velocidad variable

El interruptor de encendido/apagado de velocidad variable permite elegir la velocidad adecuada para unos mejores resultados de corte en distintos materiales.

- La velocidad de la herramienta se determina por la cantidad de veces que se tira del interruptor de accionamiento (1).

Corte de bisel (Fig. G, H & I)

Es posible ajustar la base en un ángulo de bisel izquierdo o derecho de 45°.

Para ajustar el ángulo de bisel:

- Afloje el perno de retención de la zapata (12) con la llave hexagonal suministrada y desbloquee la base (5).
- Deslice la base (5) hacia delante para soltarla del tope de 0°.
- Gire la base hasta el ángulo de bisel requerido (Fig. H).
- Deslice la base hacia atrás para encajar el tope izquierdo o derecho.
- Apriete el perno de retención de la zapata (12) con la llave hexagonal suministrada y bloquee la base (5) en la posición que desee.

Nota: La zapata se puede biselar hacia la izquierda o hacia la derecha y cuenta con topes a 45°.

Acción de corte (Fig. J)

Esta sierra de calar está equipada con tres acciones de corte, dos orbitales y una recta. La acción orbital tiene un movimiento de cuchilla más agresivo y se destina al corte de materiales blandos como la madera o el plástico. La acción orbital ofrece un corte más rápido, pero con un corte menos fácil por el material. En la acción orbital, la cuchilla se mueve hacia delante por el recorrido del corte además del movimiento hacia arriba y abajo.



¡Advertencia! Los metales o maderas duras no deben cortarse nunca con la acción orbital.

- Deslice el botón de acción de corte (6) entre las tres posiciones de corte: 0, 1 y 2.
- La posición 0 es para realizar cortes rectos.
- Las posiciones 1 y 2 son para realizar cortes orbitales.
- La agresividad del corte aumenta a medida que la palanca se ajusta desde el nivel uno hasta el dos, siendo el dos el corte más agresivo.

Serrado

- Sostenga siempre la herramienta con las dos manos.
- Deje que la hoja se mueva durante unos segundos antes de empezar a cortar.
- Aplique solamente un poco de presión a la herramienta mientras realiza el corte.
- Si es posible, trabaje con la base (5) presionada contra la pieza de trabajo. Ello mejorará su control sobre la herramienta y reducirá la vibración de ésta. Igualmente evitará que la hoja se dañe.

Sugerencias para un uso óptimo**Información general**

- Utilice la velocidad alta para madera, la velocidad media para aluminio y PVC y la velocidad baja para metales diferentes al aluminio.

Serrado de material laminado

Debido a que la hoja de sierra efectúa el corte durante el movimiento hacia arriba, es posible que la superficie más cercana a la base se pueda astillar.

- Utilice una hoja de sierra con dientes pequeños.
- Sierre por la parte trasera de la pieza de trabajo.
- Para minimizar el astillado, sujete una plancha de madera desechable o de conglomerado a ambos lados de la pieza de trabajo y sierre el conjunto.

Serrado de metal

Tenga en cuenta que serrar metal lleva mucho más tiempo que serrar madera.

- Utilice una hoja apropiada para serrar metal. Utilice una hoja de sierra con dientes pequeños para metales ferrosos y una hoja de dentado grueso para metales no ferrosos.
- Cuando corte una plancha de metal delgada, sujete un tablero o trozo de madera en la parte trasera de la pieza de trabajo y corte el conjunto.
- Extienda una película de aceite a lo largo de la línea de corte prevista.

Accesorios

El funcionamiento adecuado de la herramienta depende de los accesorios que utilice. Los accesorios de STANLEY FATMAX se han fabricado siguiendo estándares de alta calidad y se han diseñado para mejorar el funcionamiento de la herramienta. Al utilizar estos accesorios, conseguirá el máximo rendimiento de la herramienta.

Esta herramienta es apropiada tanto para las hojas de sierra con vástago de una sola leva como para las universales.

Mantenimiento

La herramienta se ha diseñado para que funcione durante un largo período de tiempo con un mantenimiento mínimo. El funcionamiento satisfactorio y continuo depende del buen cuidado de la herramienta y de una limpieza frecuente.



¡Advertencia! Antes de realizar cualquier tarea de mantenimiento, apague y desenchufe la herramienta.

- Limpie periódicamente las ranuras de ventilación de la herramienta y del cargador con un cepillo suave o un paño seco.
- Limpie periódicamente la carcasa del motor con un paño húmedo. No utilice productos de limpieza abrasivos o a base de disolventes.
- De vez en cuando, ponga un poco de aceite en el eje principal del rodillo de apoyo de la hoja.

Protección del medioambiente



Recogida selectiva. Los productos y las baterías marcadas con este símbolo no deben eliminarse junto con los residuos domésticos normales.

Los productos y las baterías que contienen materiales que se puedan recuperar o reciclar reducen la demanda de materias primas.

Recicle los productos eléctricos y las baterías de conformidad con las normas locales. Puede obtener más información en www.2helpU.com

Datos técnicos

		SFMC600 (H1)
Voltaje	V_{dc}	18
Velocidad en vacío	min^{-1}	0 - 2.500
Longitud de carrera	mm	19
Profundidad máxima de corte		
Madera	mm	55
Acero	mm	8
Aluminio	mm	20
Peso	kg	2,62

Cargador		SFMCB11	SFMCB12	SFMCB14
Voltaje de entrada	V_{CA}	230	230	230
Voltaje de salida	V_{CC}	18	18	18
Corriente	A	1,25	2	4

Batería		SFMCB201	SFMCB202	SFMCB204	SFMCB206
Voltaje	V_{CC}	18	18	18	18
Capacidad	Ah	1,5	2,0	4,0	6,0
Tipo		lones de litio	lones de litio	lones de litio	lones de litio

Nivel de presión acústica de acuerdo con la norma EN62841:
Presión acústica (L_{pA}) 82 dB(A), incertidumbre (K) 5 dB(A)
Potencia acústica (L_{WA}) 93 dB(A), incertidumbre (K) 5 dB(A)

Valores totales de vibración (suma vectorial triaxial) de acuerdo con la norma EN62841:
Corte de tablonos ($a_{h,B}$) 4,9 m/s^2 , incertidumbre (K) 1,5 m/s^2
Corte de planchas de metal ($a_{h,M}$) 8,8 m/s^2 , incertidumbre (K) 1,5 m/s^2

Declaración de conformidad CE

DIRECTIVA SOBRE MAQUINARIA



Sierra de calar sin cable - SFMCS600

Stanley Europe declara que los productos descritos en el apartado "Datos técnicos" son conformes a las normas siguientes: 2006/42/CE, EN62841-1:2015, EN62841-2:11:2016

Estos productos también son conformes a las directivas 2014/30/JUE y 2011/65/JE. Si desea más información, póngase en contacto con Stanley Europe en la dirección indicada a continuación o bien consulte la parte posterior de este manual.

El abajo firmante es el responsable de la compilación del archivo técnico y realiza esta declaración en representación de Stanley Europe.

A.P. Smith

Director Técnico de Ingeniería
 STANLEY FATMAX Europe, Egide Walschaertsstraat 14-18,
 2800 Malinas, Bélgica
 2019-10-22

Garantía

STANLEY FATMAX confía en la calidad de sus productos y ofrece a los consumidores una garantía de 12 meses a partir de la fecha de compra. Esta garantía es adicional a sus derechos legales y no los menoscaba en modo alguno. La garantía es válida dentro de los territorios de los Estados Miembros de la Unión Europea y del Área de Libre Comercio Europea.

Para reclamar la garantía, la reclamación se debe presentar de conformidad con las condiciones de STANLEY FATMAX y se debe presentar el justificante de compra al vendedor o al agente técnico autorizado. Las condiciones de la garantía de STANLEY FATMAX de 1 año de duración y la ubicación de su agente técnico autorizado más cercano se pueden obtener en Internet en www.2helpU.com o poniéndose en contacto con su oficina local de STANLEY FATMAX en la dirección que se indica en este manual.

Visite nuestro sitio web www.stanleytools.eu/3 para registrar su nuevo producto STANLEY FATMAX y recibir noticias sobre nuevos productos y ofertas especiales.

Utilização pretendida

A serra eléctrica STANLEY FATMAX foi concebida para serrar madeira, plásticos e chapas metálicas. Esta ferramenta destina-se a utilização profissional bem como a utilizadores privados não profissionais.

Instruções de segurança

Avisos de segurança gerais relativos a ferramentas eléctricas



Atenção! Leia todos os avisos de segurança, instruções, ilustrações e especificações fornecidos com esta ferramenta eléctrica.
O não cumprimento dos seguintes avisos e instruções pode resultar em choque eléctrico, incêndio e/ou ferimentos graves.

Guarde todos os avisos e instruções para futura referência. Em todos os avisos que se seguem abaixo, o termo "ferramenta eléctrica" refere-se à sua ferramenta alimentada pela rede eléctrica (com fios) ou por uma bateria (sem fios).

1. Segurança na área de trabalho

- a. **Mantenha a área de trabalho limpa e bem iluminada.** As áreas desorganizadas ou escuras são propensas a acidentes.
- b. **Não utilize as ferramentas eléctricas em ambientes explosivos, como, por exemplo, na presença de líquidos, gases ou poeiras inflamáveis.** As ferramentas eléctricas criam faíscas que poderão inflamar estas poeiras ou vapores.
- c. **Mantenha crianças e outras pessoas à distância quando utilizar a ferramenta eléctrica.** As distrações podem levar à perda do controlo da ferramenta.

2. Segurança eléctrica

- a. **As fichas das ferramentas eléctricas têm de ser compatíveis com a tomada de electricidade. Nunca modifique a ficha de forma alguma.**
Não utilize fichas adaptadoras com ferramentas eléctricas ligadas à terra. As fichas não modificadas e as tomadas compatíveis reduzem o risco de choque eléctrico.
- b. **Evite o contacto corporal com superfícies ligadas à terra, como tubos, radiadores, fogões e frigoríficos.** Se o seu corpo estiver "ligado" à terra, o risco de choque eléctrico é maior.
- c. **Não exponha as ferramentas eléctricas à chuva ou a condições de humidade.** A entrada de água numa ferramenta eléctrica aumenta o risco de choque eléctrico.

- d. **Não aplique força excessiva sobre o cabo. Nunca o utilize para transportar, puxar ou desligar a ferramenta eléctrica. Mantenha o cabo afastado de fontes de calor, substâncias oleosas, arestas aguçadas ou peças móveis.** Os cabos danificados ou emaranhados aumentam o risco de choque eléctrico.
- e. **Ao utilizar uma ferramenta eléctrica no exterior, use uma extensão adequada para utilização ao ar livre.** A utilização de um cabo adequado para uso ao ar livre reduz o risco de choque eléctrico.
- f. **Se não for possível evitar trabalhar com uma ferramenta eléctrica num local húmido, utilize uma fonte de alimentação protegida por um dispositivo de corrente residual (DCR).** A utilização de um DCR reduz o risco de choque eléctrico.

3. Segurança pessoal

- a. **Esteja atento, preste atenção ao que está a fazer e use o bom senso quando operar uma ferramenta eléctrica. Não utilize uma ferramenta eléctrica quando estiver cansado ou sob o efeito de drogas, álcool ou medicamentos.** Um momento de distração durante a utilização de ferramentas eléctricas poderá resultar em ferimentos graves.
- b. **Use equipamento de protecção individual. Use sempre protecção ocular.** O equipamento de protecção, como, por exemplo, uma máscara contra o pó, sapatos de segurança antiderrapantes, um capacete de segurança ou uma protecção auditiva, usado nas condições apropriadas, reduz o risco de ferimentos.
- c. **Evite accionamentos acidentais. Certifique-se de que o gatilho da ferramenta está na posição de desligado antes de a ligar à tomada de electricidade e/ou inserir a bateria, ou antes de pegar ou transportar a ferramenta.** Se mantiver o dedo sobre o interruptor ao transportar ferramentas eléctricas ou se as ligar à fonte de alimentação com o interruptor ligado, poderá originar acidentes.
- d. **Retire qualquer chave de ajuste ou chave de porcas antes de ligar a ferramenta eléctrica.** Uma chave de porcas ou chave de ajuste deixada numa peça móvel da ferramenta poderá resultar em ferimentos.
- e. **Não se estique demasiado quando trabalhar com a ferramenta. Mantenha-se sempre bem posicionado e equilibrado.** Desta forma, será mais fácil controlar a ferramenta eléctrica em situações inesperadas.
- f. **Use vestuário adequado. Não use roupa larga ou jóias. Mantenha o cabelo e a roupa afastados das peças móveis.** As roupas largas, as jóias ou o cabelo comprido podem ficar presos nestas peças.
- g. **Se forem fornecidos acessórios para a ligação de máquinas de extracção e recolha de partículas, certifique-se de que estes são ligados e utilizados**

correctamente. A utilização de dispositivos de extracção de partículas pode reduzir os riscos relacionados com as mesmas.

- h. Não permita que a experiência obtida pela utilização frequente das ferramentas lhe permita ter uma atitude complacente e ignorar os princípios de segurança da ferramenta.** Uma acção descuidada pode causar ferimentos graves numa fracção de segundo.

4. Utilização e cuidados a ter com a ferramenta

- a. Não utilize a ferramenta eléctrica de forma forçada. Utilize a ferramenta eléctrica correcta para o seu trabalho.**

A ferramenta eléctrica adequada irá efectuar o trabalho de um modo mais eficiente e seguro se for utilizada de acordo com a capacidade para a qual foi concebida.

- b. Não utilize a ferramenta eléctrica se o respectivo gatilho não a ligar e desligar.** Qualquer ferramenta eléctrica que não possa ser controlada através do interruptor de alimentação é perigosa e tem de ser reparada.
- c. Retire a ficha da tomada de eletricidade e/ou retire a bateria da ferramenta eléctrica, caso seja desmontável, antes de efectuar quaisquer ajustes, substituir acessórios ou guardar ferramentas eléctricas.** Estas medidas de segurança preventivas reduzem o risco de ligar a ferramenta eléctrica acidentalmente.
- d. Guarde as ferramentas eléctricas que não estiverem a ser utilizadas fora do alcance de crianças e não permita que o aparelho seja utilizado por pessoas não familiarizadas com o mesmo ou com estas instruções.** As ferramentas eléctricas são perigosas nas mãos de pessoas que não possuam as qualificações necessárias para as manusear.
- e. Faça a manutenção das ferramentas eléctricas e dos acessórios. Verifique se as peças móveis da ferramenta eléctrica estão alinhadas e não emperram, bem como se existem peças partidas ou danificadas ou quaisquer outras condições que possam afectar o funcionamento da mesma. Se a ferramenta eléctrica estiver danificada, esta não deve ser utilizada até que seja reparada.** Muitos acidentes têm como principal causa ferramentas eléctricas com uma manutenção insuficiente.
- f. Mantenha as ferramentas de corte sempre afiadas e limpas.** As ferramentas de corte sujeitas a uma manutenção adequada, com arestas de corte afiadas, emperram com menos frequência e controlam-se com maior facilidade.

- g. Utilize a ferramenta eléctrica, acessórios e peças de ferramenta de acordo com estas instruções, considerando as condições de trabalho e a tarefa a ser executada.**

A utilização da ferramenta eléctrica para fins diferentes dos previstos poderá resultar em situações perigosas.

- h. Mantenha os punhos e superfícies de fixação secas, limpas e sem óleo e graxa.** Pegas e superfícies de fixação molhadas não permitem o funcionamento e o controlo seguros em situações inesperadas.

5. Utilização e cuidados a ter com a ferramenta com baterias

- a. Recarregue apenas com o carregador especificado pelo fabricante.** Um carregador adequado para um tipo de bateria pode causar um incêndio se for utilizado com outra bateria.
- b. Utilize ferramentas eléctricas apenas com baterias específicas.** A utilização de outras baterias pode dar origem a um risco de danos e incêndio.
- c. Quando uma bateria não estiver a ser utilizada, mantenha-a afastada de outros objectos metálicos como, por exemplo, cliques, moedas, chaves, pregos, parafusos ou outros pequenos objectos metálicos que possam fazer ligação de um terminal a outro.** O curto-circuito de terminais de bateria pode causar queimaduras ou incêndio.
- d. Em condições abusivas, pode derramar líquido da bateria, devendo evitar o contacto. Se tocar acidentalmente no líquido, lave bem com água. Se o líquido entrar em contacto com os olhos, consulte um médico.** O líquido derramado da bateria pode causar irritação ou queimaduras.
- e. Não utilize uma bateria ou ferramenta que esteja danificada ou modificada.** As baterias danificadas ou modificadas podem dar origem a um comportamento imprevisível e resultar em incêndio, explosão ou ferimentos.
- f. Não exponha a bateria ou a ferramenta a fogo ou temperatura excessiva.** A exposição a fogo ou temperatura superior a 130 °C pode causar uma explosão.
- g. Siga todas as instruções de carregamento.** Não carregue a bateria ou a ferramenta fora da gama especificada nas instruções. O carregamento indevido ou a temperaturas fora da gama especificada podem causar danos na bateria e aumentar o risco de incêndio.

6. Assistência

- a. A sua ferramenta eléctrica só deve ser reparada por um técnico qualificado e só devem ser utilizadas peças sobresselentes originais. Desta forma, é garantida a segurança da ferramenta eléctrica.**

- b. **Nunca repare BATERIAS danificadas. A reparação de BATERIAS danificadas só deve ser efectuada pelo fabricante ou por fornecedores de serviços autorizados.**

Avisos de segurança adicionais para serras eléctricas e serras de movimento recíproco

- **Segure a ferramenta eléctrica pelas áreas isoladas quando executar uma operação em que o acessório de lixagem possa entrar em contacto com cablagem escondida.** O acessório de corte que entrem em contacto com um fio com tensão eléctrica poderão fazer com que as peças de metal expostas da ferramenta conduzam electricidade e electrocutem o utilizador.
- **Utilize grampos ou outro sistema prático para fixar e apoiar a peça numa plataforma estável.** Segurar a peça com a mão ou contra o corpo pode causar instabilidade e perda de controlo.
- **Mantenha as mãos afastadas da área de corte.** Nunca manuseie a parte inferior da peça de trabalho em circunstância alguma. Não introduza os dedos perto da lâmina correspondente e o sistema de fixação da lâmina. Não estabilize a serra, agarrando a protecção.
- **Mantenha as lâminas afiadas.** Lâminas embotadas ou danificadas podem desviar ou encravar a serra sob pressão. Utilize sempre o tipo apropriado de lâmina de serra para o material e tipo de corte.
- **Quando cortar tubos ou condutas, certifique-se de que estes não têm água, cablagem, etc.**
- **Não toque na peça ou na lâmina logo após a utilização da ferramenta.** Podem ficar muito quentes.
- **Tenha cuidado com os perigos escondidos. Antes de cortar em paredes, tectos ou chãos, verifique a localização de cablagem e tubos.**
- **A lâmina irá continuar a mover-se depois de libertar o interruptor.** Desligue sempre a ferramenta e aguarde até que a lâmina da serra pare completamente antes de pousar a ferramenta.



Atenção! O contacto ou a inalação de poeiras originadas pelas aplicações de corte poderá colocar em perigo a saúde do operador ou das pessoas presentes. Utilize uma máscara especificamente concebida para protecção contra poeiras e vapores e certifique-se de que as pessoas perto da área de trabalho também estão protegidas.

- A utilização adequada é descrita neste manual de instruções. A utilização de qualquer acessório ou a realização de qualquer operação com este equipamento que não se inclua no presente manual de instruções poderá representar um risco de ferimentos pessoais e/ou danos materiais.

Segurança de outras pessoas

- Este aparelho não deve ser utilizado por pessoas (incluindo crianças) que apresentem capacidades físicas, sensoriais ou mentais reduzidas ou que não possuam os conhecimentos e a experiência necessários, excepto se forem vigiadas e instruídas acerca da utilização do aparelho por uma pessoa responsável pela sua segurança.
- As crianças deverão ser vigiadas para que não mexam no aparelho.

Riscos residuais.

Quando utilizar a ferramenta, podem ocorrer riscos residuais adicionais que não constam nos avisos de segurança incluídos. Estes riscos podem resultar de má utilização, uso prolongado, etc.

Mesmo após o cumprimento dos regulamentos de segurança relevantes e a implementação de dispositivos de segurança, alguns riscos residuais não podem ser evitados. Estes incluem:

- Ferimentos causados pelo contacto com peças em rotação/movimento.
- Ferimentos causados durante a troca de peças, lâminas ou acessórios.
- Ferimentos causados pela utilização prolongada de uma ferramenta. Quando utilizar uma ferramenta durante períodos prolongados, certifique-se de que faz pausas regularmente.
- Danos auditivos.
- Os problemas de saúde causados pela inalação de poeiras resultantes da utilização da ferramenta (exemplo: trabalhos em madeira, especialmente carvalho, faia e MDF).

Vibração

Os valores de emissão de vibração declarados na secção de dados técnicos e na declaração de conformidade foram medidos de acordo com o método de teste padrão fornecido pela norma EN 62841 e podem ser utilizados para comparar ferramentas. O valor de emissão de vibração pode ser também utilizado numa avaliação precoce à exposição.



Atenção! O valor de emissão de vibração durante a utilização da ferramenta eléctrica pode ser diferente do valor declarado, dependendo da maneira como a ferramenta é utilizada. O nível de vibração pode aumentar para um valor superior ao indicado.

Quando avaliar a exposição a vibração para determinar as medidas de segurança exigidas pela norma 2002/44/CE para proteger as pessoas que utilizam ferramentas eléctricas com frequência, deve ser efectuada uma estimativa da exposição a vibração, as condições de utilização e a maneira como a ferramenta é utilizada, incluindo a consideração todas as

fases do ciclo de funcionamento, por exemplo, o número de vezes que a ferramenta é desligada e quando funciona ao ralento, além do tempo de accionamento.

Etiquetas colocadas na ferramenta

A ferramenta apresenta os seguintes símbolos:



Atenção! Para reduzir o risco de ferimentos, o utilizador deve ler o manual de instruções.

Instruções de segurança adicionais para baterias e carregadores

Baterias

- Nunca tente abrir a bateria, seja qual for o motivo.
- Não exponha a bateria à água.
- Não a armazene em locais onde a temperatura possa exceder os 40 °C.
- Carregue apenas a temperaturas ambiente entre 10 °C e 40 °C.
- Carregue apenas com o carregador fornecido com a ferramenta.
- Quando eliminar as baterias, siga as instruções da secção "Protecção do ambiente".



Não tente carregar baterias danificadas.

Carregadores

- Utilize o seu carregador Stanley Fat Max apenas para carregar a bateria na ferramenta respectiva. Outras baterias podem rebentar, provocando ferimentos e danos.
- Nunca tente carregar baterias não recarregáveis.
- Substitua os cabos defeituosos imediatamente.
- Não exponha o carregador à água.
- Não abra o carregador.
- Não manipule o interior do carregador.



O carregador deverá ser utilizado apenas em espaços interiores.



Leia o manual de instruções antes da utilização.

Segurança eléctrica



O carregador tem um isolamento duplo, pelo que não é necessário um fio de terra. Verifique sempre se a tensão de alimentação corresponde à tensão indicada na placa sinalética. Nunca substitua a unidade do carregador por uma tomada de alimentação normal.

- Se o cabo de alimentação estiver danificado, deve ser substituído pelo fabricante ou por um centro de assistência autorizado da STANLEY FATMAX para evitar acidentes.

Características

Esta ferramenta inclui algumas ou todas as características seguintes.

1. Gatilho de velocidade variável
2. Alavanca de desbloqueio
3. Alavanca de fecho de lâminas de serra
4. Grampo da lâmina
5. Arrasto
6. Botão de acção de corte
7. Bateria

Utilização



Atenção! Deixe a ferramenta funcionar ao seu próprio ritmo.
Não a sobrecarregue.

Carregar a bateria (Fig. A)

A bateria precisa de ser carregada antes da primeira utilização e sempre que não consiga produzir energia suficiente em trabalhos habitualmente feitos sem dificuldade. A bateria pode aquecer quando carregar; isto é normal e não indica um problema.

Aviso! Não carregue a bateria a temperaturas ambiente inferiores a 10 °C ou superiores a 40 °C. Temperatura de carregamento recomendada: aproximadamente 24 °C.

Nota: O carregador não irá carregar a bateria se a temperatura das células for inferior a 10 °C ou superior a 40 °C.

A bateria não deve ser retirada do carregador para que este comece a carregar automaticamente quando a temperatura das células aquecer ou arrefecer.

Nota: Para assegurar o máximo desempenho e vida útil das baterias de íões de lítio, carregue a bateria totalmente antes de utilizar o produto pela primeira vez.

- Ligue o carregador (8) numa tomada adequada antes de inserir a bateria (7).
- O indicador luminoso de carga (8a) verde pisca de maneira contínua, o que significa que o processo de carga foi iniciado.
- A conclusão do processo de carga é indicada pelo indicador luminoso de carga verde (8a), que permanece ligado de maneira contínua. A bateria (7) é totalmente carregada e pode ser removida nesta altura ou pode deixá-la no carregador (8).
- As baterias descarregadas devem ser carregadas no espaço de 1 semana. A vida útil de uma bateria diminuirá muito se for guardada descarregada.

Modos do LED do carregador

	A carregar: LED verde intermitente	
	Totalmente carregada: LED verde fixo	
	Retardação de calor/frio: LED verde intermitente LED vermelho fixo	

Nota: O(s) carregador(es) compatível(eis) não carrega(m) uma bateria defeituosa. Se a bateria estiver defeituosa, o indicador luminoso do carregador não se acende.

Nota: Isto pode também indicar que se trata de um problema no carregador. Se o carregador indicar uma falha, leve o carregador e a bateria um centro de assistência autorizado para que sejam submetidos a um teste.

Deixar a bateria no carregador

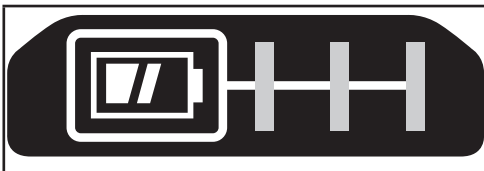
O carregador e a bateria podem permanecer ligados com o LED aceso indefinidamente. O carregador irá manter a bateria completamente carregada.

Retardação de calor/frio

Quando o carregador detecta que uma bateria está demasiado quente ou demasiado fria, inicia de imediato a retardação de calor/frio, o LED verde (8a) começa a piscar de maneira intermitente e o LED vermelho (8b) permanece aceso de maneira contínua, suspendendo o carregamento até a bateria atingir uma temperatura adequada. Em seguida, o carregador muda automaticamente para o modo de carga. Esta função assegura a duração máxima da bateria.

Indicador do estado de carga da bateria (Fig. B)

A bateria inclui um indicador do estado de carga para determinar rapidamente a duração da bateria, como indicado na Figura B. Ao pressionar o botão de estado de carga (7a), pode visualizar facilmente a carga restante na bateria, como indicado na Figura B.



Inserir e retirar a bateria da ferramenta



Atenção! Certifique-se de que o botão de bloqueio está na posição correcta para impedir a activação accidental do interruptor de funcionamento, antes de retirar ou instalar a bateria.

Instalar a bateria (Fig. C)

- Insira a bateria com firmeza na ferramenta até ouvir um clique, como indicado na Figura C. Certifique-se de que a bateria está totalmente inserida e fixada na respectiva posição.

Retirar a bateria (Fig. C)

- Pressione o botão de libertação da bateria (7b), como indicado na Figura C e retire a bateria da ferramenta.

Gancho de fixação (artigo opcional) (Fig. D)



Atenção! Para reduzir o risco de lesões pessoais graves, coloque o botão de avanço/recuo na posição de desbloqueio ou então desligue a ferramenta e retire a bateria antes de efectuar quaisquer ajustes ou remover/instalar dispositivos complementares ou acessórios. Um arranque accidental pode causar lesões.



Atenção! Para reduzir o risco de ferimentos graves, certifique-se de que o parafuso (10) que prende o gancho de fixação está preso.

Nota: Quando montar ou substituir o gancho de fixação (9), utilize apenas o parafuso (10) fornecido. Certifique-se de que o parafuso fica bem apertado.

Se não for necessário utilizar o gancho, pode removê-lo da ferramenta.

Para deslocar o gancho de fixação, retire o parafuso (10) que prende o gancho de fixação (9) no respectivo local.

Nota: Estão disponíveis vários ganchos de correr e configurações de armazenamento.

Visite o nosso Website www.stanleytools.eu/3 para obter mais informações.

Montagem



Atenção! Antes da montagem, retire a bateria da ferramenta e certifique-se de que a lâmina da serra se encontra immobilizada. As lâminas de serra usadas poderão estar quentes.

Montagem e remoção da lâmina da serra (Fig. E)

- Segure a lâmina de serra (11) com os dentes virados para a frente.
- Empurre a alavanca de fecho da lâmina de serra (3) para baixo.

- Insira totalmente a haste da lâmina no sistema de fixação da lâmina (4), o máximo possível.
- Liberte a alavanca.
- Para retirar a lâmina da serra (11), levante a alavanca de bloqueio da lâmina (3) para baixo e retire a lâmina.



Atenção! A lâmina pode ficar quente após a utilização. Ao remover uma lâmina, utilize sempre luvas.

Ligar e desligar (Fig. F)

- Para ligar, faça deslizar o interruptor de desbloqueio (2) para a esquerda e, em seguida, puxe e segure o interruptor de gatilho de velocidade variável (1).
- Para desligar, solte o gatilho (1).



Atenção! Não ligue nem desligue a ferramenta sob carga.



Atenção! Faça sempre deslizar o interruptor de desbloqueio (2) para a direita, na posição de bloqueado, quando a ferramenta não estiver a ser utilizada.

Controlo de velocidade variável

O interruptor para ligar/desligar, de velocidade variável, oferece diversas opções de velocidades para níveis de corte optimizados em vários materiais.

- A velocidade é determinada pela pressão exercida no gatilho (1).

Corte em bisel (Fig. G, H e I)

É possível definir o arrasto para um ângulo do bisel esquerdo ou direito de 45°.

Para definir o ângulo de bisel:

- Desaperte o parafuso de retenção da base (12) com a chave sextavada fornecida para desbloquear o arrasto (5).
- Faça deslizar o arrasto (5) para a frente para libertá-lo do retentor de 0°.
- Rode o arrasto para o ângulo de bisel pretendido (Fig. H).
- Faça deslizar o arrasto para trás para encaixar o retentor esquerdo ou direito.
- Aperte o parafuso de retenção da base (12) com a chave sextavada fornecida para bloquear o arrasto (5) na posição pretendida.

Nota: É possível biselar a base para a esquerda ou direita. Tem retentores nos 45°.

Ação de corte (Fig. J)

Esta serra eléctrica encontra-se equipada com três acções de corte, duas orbitais e uma direita. A acção orbital tem um movimento de lâmina mais agressivo e foi concebida para o corte de materiais macios, como madeira ou plástico. A acção orbital permite um corte mais rápido, mas através de um corte

menos suave ao longo do material. No modo de acção orbital, a lâmina avança durante o curso de corte, além do movimento para cima e para baixo.



Atenção! Os metais ou madeiras duras nunca devem ser cortados no modo de acção orbital.

- Faça deslizar o botão de acção de corte (6) entre as três posições de corte: 0, 1 e 2.
- A posição 0 é para cortes a direito.
- As posições 1 e 2 são para cortes orbitais.
- A agressividade do corte aumenta com a regulação da alavanca da posição um até à dois, sendo a posição dois a de corte mais agressivo.

Serrar

- Segure sempre a ferramenta com ambas as mãos.
- Deixe a lâmina a trabalhar livremente durante alguns segundos antes de começar a cortar.
- Exerça um ligeira pressão na ferramenta enquanto corta.
- Se for possível, trabalhe com o arrasto (5) pressionado contra a peça. Isto melhorará o controlo da ferramenta e reduzirá a vibração da mesma e, ainda irá prevenir que a lâmina fique danificada.

Sugestões para uma utilização ideal

Geral

- Utilize uma velocidade rápida para madeira, média para alumínio e PVC e lenta para metais que não sejam alumínio.

Serrar laminados

Uma vez que a lâmina de serra possui um curso de corte ascendente, poderão surgir lascas na superfície junto do arrasto.

- Utilize uma lâmina de serra com dentes em bom estado.
- Serre a partir da superfície de fundo da peça.
- Para minimizar a ocorrência de lascas, coloque fragmentos de madeira ou painel duro em ambos os lados da peça e serre no meio deste painel compósito.

Serrar metal

Tenha em atenção que a serração de metal demora muito mais tempo do que a serração de madeira.

- Utilize uma lâmina de serra adequada para a serração de metal. Utilize uma lâmina de serra de dentes finos para metais ferrosos e uma lâmina de serra de dentes largos para metais não ferrosos.
- Ao cortar folhas de metal finas, coloque fragmentos de madeira na superfície de fundo da peça e corte no meio deste painel compósito.

- Espalhe uma camada fina de óleo ao longo da linha de corte pretendida.

Acessórios

O desempenho da ferramenta depende do acessório utilizado. Os acessórios da STANLEY FATMAX são concebidos segundo normas de elevada qualidade e desenvolvidos de modo a melhorar o desempenho da sua ferramenta. Ao utilizar estes acessórios, obterá o melhor desempenho da sua ferramenta. Esta ferramenta adequa-se às lâminas de serra de haste em U e haste em T.

Manutenção

A sua ferramenta foi concebida para funcionar por um longo período de tempo com uma manutenção mínima. Uma utilização continuamente satisfatória depende de uma manutenção apropriada da ferramenta e de uma limpeza regular.



Atenção! Antes de proceder a qualquer acção de manutenção, desligue a ferramenta e retire a ficha da tomada.

- Limpe regularmente as aberturas de ventilação do ferramenta e o carregador com uma escova suave ou um pano seco.
- Limpe regularmente o compartimento do motor com um pano húmido. Não utilize produtos de limpeza abrasivos ou à base de solventes.
- Ocasionalmente, aplique uma gota de óleo no eixo do rolo de suporte de lâminas.

Proteger o meio ambiente



Faça uma recolha de lixo selectiva. Os produtos e as baterias assinalados com este símbolo não devem ser eliminados em conjunto com os resíduos domésticos normais.

Os produtos e as baterias contêm materiais que podem ser recuperados ou reciclados, reduzindo assim a necessidade de matérias-primas.

Recicle os produtos eléctricos e as baterias de acordo com as disposições locais. Estão disponíveis mais informações em www.2helpU.com

Dados técnicos

		SFMC600 (H1)
Tensão	V_{CC}	18
Velocidade sem carga	min^{-1}	0 - 2500
Comprimento do curso	mm	19
Profundidade máxima de corte		
Madeira	mm	55
Aço	mm	8
Alumínio	mm	20
Peso	kg	2,62

Carregador		SFMCB11	SFMCB12	SFMCB14
Tensão de entrada	V_{CA}	230	230	230
Tensão de saída	V_{CC}	18	18	18
Corrente	A	1,25	2	4

Bateria		SFMCB201	SFMCB202	SFMCB204	SFMCB206
Tensão	V_{CC}	18	18	18	18
Capacidade	Ah	1,5	2,0	4,0	6,0
Tipo		lões de lítio	lões de lítio	lões de lítio	lões de lítio

Nível de pressão acústica de acordo com a norma EN62841:

Pressão acústica (L_{pA}): 82 dB(A), variabilidade (K): 5 dB(A)

Potência sonora (L_{WA}): 93 dB(A), variabilidade (K): 5 dB(A)

Valores totais de vibração (soma de vectores triax) de acordo com a norma EN62841:

Cortar tábuas ($a_{h,B}$): 4,9 m/s^2 , variabilidade (K): 1,5 m/s^2

Cortar chapas de metal ($a_{h,M}$): 8,8 m/s^2 , variabilidade (K): 1,5 m/s^2

Declaração de conformidade da CE

DIRECTIVA "MÁQUINAS"



Serra eléctrica sem fios - SFMCS600

A Stanley Europe declara que os produtos descritos em "dados técnicos" se encontram em conformidade com as seguintes normas e directivas: 2006/42/CE, EN62841-1:2015, EN62841-2:11:2016

Estes produtos também estão em conformidade com as Directivas 2014/30/UE e 2011/65/UE. Para obter mais informações, contacte a Stanley Europe através da morada indicada em seguida ou consulte o verso do manual.

O abaixo assinado é responsável pela compilação do ficheiro técnico e faz esta declaração em nome da Stanley Europe.

A.P. Smith

Director Técnico de Engenharia

STANLEY FATMAX Europe, Egide Walschaertsstraat 14-18,
2800 Mechelen, Bélgica
2019-10-22

Garantia

A STANLEY FATMAX confia na qualidade dos seus produtos e oferece aos clientes uma garantia de 12 meses a partir da data de compra. Esta garantia é um complemento dos seus direitos estabelecidos por lei e não os prejudica de forma alguma. A garantia é válida nos Estados-membros da União Europeia e nos países-membros da Zona Europeia de Comércio Livre.

Para accionar a garantia, esta deve estar em conformidade com os termos e condições da STANLEY FATMAX e terá de apresentar comprovativos de compra ao vendedor ou a um técnico de reparação autorizado. Os termos e condições da garantia de 1 ano da STANLEY FATMAX e a localização do técnico de reparação autorizado mais próximo pode ser obtido na Internet em www.2helpU.com ou contactando uma filial local da STANLEY FATMAX, cuja morada está indicada neste manual.

Visite o nosso Website www.stanleytools.eu/3 para registar o novo produto da STANLEY FATMAX e estar actualizado relativamente a novos produtos e ofertas especiais.

Avsedd användning

Din STANLEY FATMAX-figursåg är avsedd för sågning i trä, plast och tunn plåt. Verktyget är avsett för yrkesanvändare och privatkonsumenter.

Säkerhetsinstruktioner**Allmänna säkerhetsvarningar för elverktyg**

Varning! Läs alla säkerhetsanvisningar, instruktioner, illustrationer och specifikationer som levereras med detta elverktyg.

Underlåtenhet att följa nedanstående varningar och instruktioner kan resultera i elektrisk stöt, eldsvåda och/eller allvarlig personskada.

Spara alla varningar och instruktioner för framtida referens. Termen "elverktyg" i varningarna syftar på ditt starkströmsdrivna (sladdanslutna) elverktyg eller batteridrivna (sladdlösa) elverktyg.

1. Säkerhet vid arbetsområdet

- a. **Håll arbetsområdet rent och ordentligt upplyst.** Belamrade eller mörka områden inbjuder till olyckor.
- b. **Arbeta inte med elverktyg i explosiv atmosfär, såsom i närheten av brännbara vätskor, gaser eller damm.** Elektriska verktyg ge upphov till gnistor som kan antända dammet eller ångorna.
- c. **Håll barn och åskådare borta medan du arbetar med ett elverktyg.** Distractioner kan göra att du förlorar kontrollen.

2. Elektrisk säkerhet

- a. **Kontakterna till elverktyget måste matcha uttaget. Modifiera aldrig kontakten på något sätt. Använd inte några adapterkontakter med jordanslutna (jordade) elektriska verktyg.** Icke modifierade kontakter och matchande uttag minskar risken för elektrisk stöt.
- b. **Undvik kroppskontakt med jordanslutna eller jordade ytor såsom rör, värmelement, spisar och kylskåp.** Det finns en ökad risk för elektrisk stöt om din kropp är jordansluten eller jordad.
- c. **Utsätt inte elektriska verktyg för regn eller våta förhållanden.** Vatten som kommer in i ett elverktyg ökar risken för elektrisk stöt.
- d. **Misshandla inte sladden. Använd aldrig sladden till att bära, dra eller koppla bort elverktyget från eluttaget. Håll sladden borta från värme, olja, skarpa kanter eller rörliga delar.** Skadade eller tilltrasslade sladdar ökar risken för elektrisk stöt.

- e. När du arbetar med ett elverktyg utomhus, använd en förlängningssladd som passar för utomhusanvändning. Användning av en sladd som passar för utomhusanvändning minskar risken för elektrisk stöt.
- f. Om arbete med ett elverktyg i en fuktig lokal är oundvikligt, använd ett uttag som är skyddat med jordfelsbrytare (RCD). Användning av en RCD minskar risken för elektrisk stöt.
3. Personlig säkerhet
- a. Var vaksam, ha koll på vad du gör och använd sunt förnuft när du arbetar med ett elverktyg. Använd inte ett elverktyg när du är trött eller påverkad av droger, alkohol eller medicinering. Ett ögonblicks ouppmärksamhet när du arbetar med elektriska verktyg kan resultera i allvarlig personskada.
- b. Använd personlig skyddsutrustning. Använd alltid skyddsglasögon. Skyddsutrustning såsom dammskyddsmask, halssäkra säkerhetsskor, skyddshjälm eller hörselskydd som används när förhållandena kräver det minskar personskador.
- c. Förebygg oavsiktlig start. Se till att strömbrytaren är i frånläge innan du ansluter till strömkällan och/eller batteripaketet, lyfter upp eller bär verktyget. Att bära elektriska verktyg med fingret på strömbrytaren eller att koppla strömmen till elektriska verktyg som har strömbrytaren på är att provocera olyckor.
- d. Avlägsna eventuell justeringsnyckel eller skiftnyckel innan du sätter på elverktyget. En skiftnyckel eller en nyckel som sitter kvar på en roterande del av elverktyget kan resultera i personskada.
- e. Sträck dig inte för långt. Ha ordentligt fotfäste och balans hela tiden. Detta möjliggör bättre kontroll av elverktyget i oväntade situationer.
- f. Klä dig på lämpligt sätt. Bär inte lösa kläder eller smycken. Håll hår och kläder borta från delar i rörelse. Lösa kläder, smycken eller långt hår kan fastna i rörliga delar.
- g. Om det finns anordningar för anslutning av apparater för dammsugning och uppsamling, se till att dessa är anslutna och används på ett korrekt sätt. Användning av dammuppsamling kan minska dammrelaterade faror.
- h. Låt inte kännedom som fåtts genom frekvent användning av verktyg göra att du bli självbelåten och ignorerar principer för verktygssäkerhet. Slarvig hantering kan leda till allvarliga skador inom bråkdelen av en sekund.
4. Användning och skötsel av elverktyg
- a. Tvinga inte elverktyget. Använd det korrekta elverktyget för ditt arbete. Rätt elverktyg gör arbetet bättre och säkrare vid den hastighet som det har konstruerats för.
- b. Använd inte elverktyget om strömbrytaren inte kan slås på eller stängas av. Ett elverktyg som inte kan kontrolleras med strömbrytaren är farligt och måste repareras.
- c. Dra ur kontakten från strömkällan och/eller ta bort batteripaketet från elverktyget innan du gör några justeringar, byter tillbehör eller lägger elverktygen för förvaring. Sådana förebyggande säkerhetsåtgärder minskar risken att oavsiktligt starta elverktyget.
- d. Förvara elektriska verktyg som inte används utom räckhåll för barn, och låt inte personer som är obekanta med elverktyget eller med dessa instruktioner använda elverktyget. Elektriska verktyg är farliga i händerna på utbildade användare.
- e. Underhåll elverktyg och tillbehör. Kontrollera för feljustering eller om rörliga delar har fastnat, bristning hos delar och andra eventuella förhållanden som kan komma att påverka elverktygets funktion. Om det är skadat, se till att elverktyget blir reparerat före användning. Många olyckor orsakas av dåligt underhållna elektriska verktyg.
- f. Håll kapningsverktyg vassa och rena. Det finns mindre risk att ordentligt skötta kapningsverktyg med vassa blad fastnar och de är lättare att kontrollera.
- g. Använd elverktyget, tillbehör, bits m.m. enligt dessa anvisningar och ta hänsyn till arbetsvillkoren och arbetsmomenten. Användningen av elverktyget för andra verksamheter än de som det är avsett för skulle kunna resultera i en farlig situation.
- h. Håll handtagen och greppytorna torra, rena och fri från olja och fett. Håll handtag och greppytor förhindrar säker hantering och kontroll av verktyget i oväntade situationer.
5. Användning och skötsel av batteridrivet verktyg
- a. Ladda endast med den laddare som rekommenderas av tillverkaren. En laddare som passar en batterityp kan medföra brandrisk om den används ihop med ett annat batteri.
- b. Använd elverktyget endast med batterier som är speciellt avsedda för ändamålet. Användning av andra batterier kan leda till personskador eller eldsvåda.
- c. När batteriet inte används ska du hålla det åtskilt från metallföremål som gem, mynt, nycklar, spik, skruvar och andra små metallföremål som kan orsaka kortslutning mellan batteriets poler. Kortslutning av batteripolerna kan leda till brännskador eller eldsvåda.

- d. **Under olämpliga förhållanden kan vätska spruta ut från batteriet. Undvik kontakt. Vid oavsiktlig kontakt, spola med vatten. Om vätskan kommer i kontakt med ögonen, sök också läkarhjälp.** Vätska som sprutar ur batteriet kan orsaka sveda och brännskador.
- e. Använd inte ett batteripaket eller ett verktyg som är defekt eller modifierat. Defekta eller modifierade batterier kan fungera oförutsägbart och ge upphov till brand, explosion eller risk för kroppsskador.
- f. Utsätt inte batteripaketet eller verktyget för eld eller höga temperaturer. Utsättande för eld eller temperaturer över 130 °C kan orsaka en explosion.
- g. Följ alla instruktioner gällande laddningen och ladda inte batteripaketet eller verktyget utanför det temperaturområde som anges i bruksanvisningen. Att ladda på fel sätt eller utanför det angivna temperaturområdet kan skada batteriet och höjer brandrisken.
6. **Service**
- a. **Se till att ditt elverktyg får service av en kvalificerad reparatör, som endast använder identiska ersättningsdelar. Detta säkerställer att elverktygets säkerhet behålls.**
- b. **Gör aldrig service på skadade batteripaket. Service av batteripaket bör endast genomföras av tillverkaren eller auktoriserade tjänsteleverantörer.**

Ytterligare säkerhetsanvisningar för figursågar och pendelsågar

- Håll elverktyget i de isolerade greppytorna vid arbete där skärtillbehöret riskerar att komma i kontakt med dolda elledningar. Skårande tillbehör som kommer i kontakt med en strömförande ledning kan göra att oskyddade metalldelar av elverktyget blir strömförande och kan ge användaren en elektrisk stöt.
- Använd klämmor eller något annat praktiskt sätt att stödja arbetsstycket vid ett stabilt underlag. Att hålla arbetet för hand eller mot kroppen är instabilt och kan göra att du förlorar kontrollen.
- Håll händerna borta från skårområdet. Sträck aldrig in händerna under arbetsstycket. Undvik att ha fingrarna i närheten av det pendlande sågbladet och bladklämman. Undvik att stabilisera sågen genom att hålla i sågskon.
- Håll bladen vassa. Slöa eller skadade sågblad kan orsaka att sågen svingar eller stannar vid belastning. Använd alltid en typ av sågklinga som är lämplig för det material du ska såga i och för hur du ska såga.
- Vid sågning i rör och ledningar ska du se till att de inte innehåller vatten, elledningar, osv.

- Undvik att vidröra arbetsstycket eller sågbladet direkt efter sågning. De kan bli mycket heta.
- Var uppmärksam på dolda faror innan du sågar i väggar, golv eller tak; kontrollera om det finns rör eller elledningar.
- Sågbladet fortsätter att röra sig en kort stund efter att du har släppt strömbrytaren. Stäng alltid av verktyget och vänta tills sågbladet har stannat helt innan du lägger ifrån dig det.



Varning! Sågning ger upphov till damm som kan skada den som använder verktyget och andra i närheten vid kontakt eller inandning. Använd en specialkonstruerad ansiktsmask som skyddar mot damm och ångor och se till att personer som vistas inom eller i närheten av arbetsområdet också är skyddade.

- Avsedd användning beskrivs i denna bruksanvisning. Om andra tillbehör eller tillsatser används eller om någon annan åtgärd än de som rekommenderas i den här bruksanvisningen utförs med verktyget kan personer och/eller egendom skadas.

Säkerhet för andra

- Verktyget ska inte användas av personer (inklusive barn) med nedsatt fysisk eller mental förmåga eller bristande erfarenhet och kunskap om de inte får vägledning och övervakas av en person som ansvarar för deras säkerhet.
- Barn ska hållas under uppsikt så att de inte leker med apparaten.

Återstående risker.

När verktyget används kan återstående risker som inte nämns i de medföljande säkerhetsvarningarna uppstå. Dessa risker kan uppstå på grund av felaktig användning, långvarig användning etc.

Trots att de relevanta säkerhetsbestämmelserna tillämpas och säkerhetsanordningarna används kan vissa återstående risker inte undvikas. Dessa omfattar:

- Skador orsakade av att roterande/rörliga delar vidrörs.
- Skador som uppstår vid byte av delar, blad eller tillbehör.
- Skador som orsakas av långvarig användning av ett verktyg. När du använder ett verktyg under en längre bör du ta regelbundna pauser.
- Hörselnedsättning.
- Hälsorisker orsakade av inandning av damm när verktyget används (exempel: arbete med trä, särskilt ek, bok och MDF).

Vibrationer

De vibrationsvärden som anges i avsnitten Tekniska data och EG-deklarationen om överensstämmelse har uppmätts i enlighet med en standardtestmetod föreskriven i EN 62841

och kan användas för jämförelse med andra verktyg. De deklarerade vibrationsvärdena kan också användas för en preliminär bedömning av exponering.



Varning! Vibrationsvärdet under faktisk användning av elverktyget kan skilja sig från det deklarerade värdet, beroende på hur verktyget används. Vibrationsnivån kan överstiga den angivna nivån.

Vid bedömningen av vibrationsexponering för att fastställa de säkerhetsåtgärder som enligt 2002/44 / EG krävs för att skydda personer som regelbundet använder elverktyg i arbetet, bör man beakta de faktiska användningsförhållandena, hur verktyget används och förutom den tid det är aktiverat, också beakta den tid som verktyget är avstängt och går på tomgång.

Etiketter på verktyget

Följande symboler finns på verktyget:



Varning! För att minska risken för personskada, måste användaren läsa bruksanvisningen.

Ytterligare säkerhetsinstruktioner för batterier och laddare

Batterier

- Försök aldrig öppna batteriet.
- Utsätt inte batteriet för vatten.
- Förvara inte apparaten på platser där temperaturen kan bli högre än 40 °C.
- Ladda endast vid temperaturer mellan 10 °C och 40 °C.
- Ladda endast med hjälp av laddare som medföljer verktyget.
- Följ instruktionerna i avsnittet "Miljö" när du gör dig av med batterier.



Försök inte ladda skadade batterier.

Laddare

- Laddaren från Stanley Fatmax får bara användas för att ladda batteriet i det verktyg som laddaren levererades med. Andra batterier kan spricka och orsaka personsador och andra skador.
- Försök aldrig att ladda ej uppladdningsbara batterier.
- Byt defekta sladdar omgående.
- Utsätt inte laddaren för vatten.
- Öppna inte laddaren.
- Gör ingen åverkan på laddaren.



Adaptren är endast avsedd för användning inomhus.



Läs bruksanvisningen före användning.

Elektrisk säkerhet



Eftersom laddaren är dubbelisolerad behövs ingen jordledare. Kontrollera alltid att nätspänningen överensstämmer med spänningen på typskylten. Försök aldrig byta ut kontakten till laddaren mot en vanlig kontakt.

- Om nätsladden är skadad måste den bytas ut av tillverkaren eller ett auktoriserat STANLEY FATMAX-servicecenter för att undvika farliga situationer.

Egenskaper

Detta verktyg har en del av dessa eller alla dessa egenskaper.

1. Variabel hastighetskontroll
2. Startspärr
3. Låsspak för sågblad
4. Bladklämma
5. Täckplåt
6. Sågningsfunktionsknapp
7. Batteri

Användning



Varning! Låt verktyget arbeta i sin egen takt. Överbelasta det inte.

Ladda batteriet (fig. A)

Batteriet måste laddas innan det används för första gången och sedan varje gång som det inte ger tillräckligt hög effekt för arbeten som annars brukar gå bra. Batteriet kan bli varmt när det laddas. Det är normalt och innebär inte att något är fel.



Varning! Ladda inte batteriet om temperaturen i luften är lägre än 10 °C eller högre än 40 °C. Den rekommenderade laddningstemperaturen är cirka 24 °C.

Notera: Laddaren laddar inte batteriet om celltemperaturen är lägre än ungefär 10 °C eller högre än 40 °C.







Batteriet får då sitta kvar i laddaren, som kommer att börja laddningen automatiskt när celltemperaturen har stigit eller sjunkit.

Notera: För att garantera maximal prestanda och livslängd för Litium-jon batteripaketet bör batteripaketet laddas fullt innan första användning.

- Koppla in laddaren (8) i lämpligt uttag innan batteripaketet (7) sätts i.

- Den gröna laddningslampan (8a) kommer att blinka kontinuerligt för att indikera att laddningsprocessen har startat.
- Det går att se när laddningen är klar genom att den gröna lampan (8a) lyser kontinuerligt. Batteripaketet (7) är fulladdat och kan nu användas eller lämnas i laddaren (8).
- Urladdade batterier bör laddas inom 1 vecka. Om batterierna inte laddas när de är urladdade försämrar batteritiden avsevärt.

Laddare LED-lägen

	Laddar: Grön blinkande LED-lampa	
	Fulladdad: Grön LED fast sken	
	Varm/kall fördröjning: Grön blinkande LED-lampa Röd LED fast sken	

Notera: Den/de kompatibla laddar(en/na) kommer inte att ladda ett felaktigt batteri. Laddaren kommer att indikera ett felaktigt batteripaket genom att vägra lysa.

Notera: Detta kan också betyda att det är problem med en laddare. Om laddaren indikerar ett problem, låt testa laddaren och batteripaketet hos ett auktoriserat servicecenter.

Lämna batteriet i laddaren

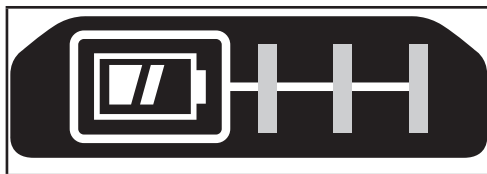
Batteriet kan sitta kvar i laddaren och laddaren kan vara ansluten till vägguttaget hur länge som helst när indikatorn lyser. Laddaren ser till att batteriet hålls fräscht och fulladdat.

Varm/kall fördröjning

När laddaren upptäcker ett batteri som är för varmt eller för kallt startar den automatiskt en varm/kall paketfördröjning, den gröna LED-lampan (8a) kommer att blinka medan den röda LED (8b) fortsätter att lysa kontinuerligt, vilket innebär att laddningen skjuts upp tills batteriet har nått en lämplig temperatur. Laddaren växlar sedan automatiskt till paketladdningsläge. Denna funktion garanterar maximal batterilivslängd.

Batteristatus med laddningsindikator (bild B)

Batteriet har en laddningsstatusindikator för att snabbt kunna avgöra kvarvarande batterilivslängd såsom visas i bild B. Genom att trycka på knappen för laddningsstatus (7a) kan du enkelt se kvarvarande laddning i batteriet såsom visas i bild B.



Montering och borttagning av batteripaketet från verktyget



Varning! Innan du sätter i eller tar ut batterierna ska du kontrollera att låsreglaget är i låst läge, så att du inte råkar sätta på verktyget av misstag.

Installera batteripaket (bild C)

- Sätt fast batteripaketet i verktyget tills ett ljudligt klick hörs, såsom visas i bild C. Se till att batteripaketet er helt isatt och låst på plats.

Ta bort batteripaketet (bild C)

- Tryck på batterilåsknappen (7b) såsom visas i bild C och dra ut batteripaketet från verktyget.

Bälteskrok (extra tillbehör) (bild D)



Varning! För att minska risken för allvarlig personskada, placera framåt/bakåt-knappen låst position eller stäng av verktyget och koppla bort batteripaketet innan du gör några justeringar eller tar bort/installerar tillsatser eller tillbehör. En oavsiktlig start kan orsaka skador.



Varning! För att minska risken för allvarliga personskador, se till att skruven (10) som håller fast bälteskroken sitter fast.

Notera: Vid montering eller byte av bälteskroken (9), använd endast den skruv (10) som medföljer. Se till att skruven dras åt ordentligt.

Om kroken inte önskas kan den tas bort från verktyget. För att flytta bälteskroken, ta bort skruven (10) som håller bälteskroken (9) på plats.

Notera: Olika trackwall-krokar och lagringskonfigurationer finns tillgängliga.

Besök vår webbplats www.stanleytools.eu/3 för ytterligare information.

Montering



Varning! Ta bort batteriet från verktyget och se till att sågbladet har stannat innan montering påbörjas. Ett sågblad som nyligen har använts kan vara hett.

Montera och ta bort sågbladet (bild E)

- Håll sågbladet (11) med tänderna framåt.
- Tryck låsspaken för sågbladet (3) nedåt.

- Tryck in bladets skaft så långt som möjligt i bladklämman (4).
- Släpp spaken.
- Ta bort sågbladet (11) genom att trycka ner låsspaken för sågbladet (3) och dra ut bladet.



Varning! Sågbladet kan bli varmt under användning. Bär alltid handskar när du tar bort sågblad.

Slå på och stänga av (bild F)

- Starta verktyget genom att föra läsreglaget (2) åt vänster och sedan dra och hålla kvar strömbrytaren för variabel hastighet (1).
- Stäng av genom att släppa upp strömbrytaren (1).



Varning! Slå inte på eller stäng av verktyget när det belastas.



Varning! För alltid läsreglaget (2) åt höger, till låst läge, när verktyget inte används.

Variabel hastighet

Med strömbrytaren med variabel hastighet kan man anpassa hastigheten beroende på vilket material man sågar i och därigenom öka effektiviteten.

- Hastigheten bestäms av hur långt du drar upp strömbrytaren (1).

Vinkelskäring (bild G, H och I)

Sågplattan kan vinklas upp till 45° åt vänster eller höger.

Ställa in lutningsvinkeln:

- Lossa sågplattans fästbult (12) med den medföljande insexnyckeln får att frigöra sågplattan (5).
- Dra sågplattan (5) framåt för att frigöra den från det fasta läget 0°.
- Vrid sågplattan till önskad vinkel (bild H).
- Dra sågplattan bakåt så att den passar i det vänstra eller högra fasta läget.
- Dra åt sågplattans fästbult (12) med den medföljande insexnyckeln får att låsa sågplattan (5) i önskat läge.

Notera: Sågplattan kan vinklas åt vänster eller höger och har fasta lägen vid 45°.

Sågning (bild J)

Den här figursågen har tre sågningsfunktioner, två excenter och en rak. Bågformad har en mer aggressiv bladrörelse och är avsedd för sågning i mjuka material såsom trä eller plast. Bågformad sågning ger en snabbare sågning men med ett mindre jämt spår över materialet. Vid bågformad rörelse rörs sig bladet framåt under sågningen förutom rörelsen upp och ned.



Varning! Metall och hårt trä skall aldrig sågas med bågformad sågning.

- För sågningsfunktionsknappen (6) mellan de tre sågningslägena: 0, 1 och 2.
- Läge 0 är för rak sågning.
- Lägena 1 och 2 är för excentersågning.
- Sågrörelserna blir aggressivare när spaken flyttas från ett till två, där två innebär aggressivare sågning.

Sågning

- Håll alltid i verktyget med båda händerna.
- Låt sågbladet gå i några sekunder innan du börjar såga.
- Tryck bara försiktigt på sågen medan du sågar.
- Om det är möjligt bör du hålla sågplattan (5) tryckt mot arbetsstycket när du arbetar. På så sätt får du bättre kontroll över verktyget. Dessutom minskar vibrationerna från verktyget och bladet skyddas.

Råd för optimal användning

Allmänt

- Välj hög hastighet för trä, medelhög för aluminium och plast, samt låg hastighet för andra metaller än aluminium.

Såga i laminat

Eftersom sågbladet skär på vägen upp kan ytan närmast skyddsplåten flisas.

- Använd ett fintandat sågblad.
- Vända arbetsmaterialets undersida uppåt när du sågar.
- Minska risken för flisor genom att tvinga fast en överbliven träbit eller hård träfiberskiva på båda sidor av arbetsmaterialet och såga genom alltihop som en dubbelsmörgås.

Såga i metall

Tänk på att det tar mycket längre tid att såga i metall än i trä.

- Välj ett sågblad som lämpar sig för metallsågning. Använd ett fintandat sågblad för järnhaltiga metaller och ett grövre sågblad för icke-järnhaltiga metaller.
- Vid sågning av tunn metallplåt tvingar du fast en överbliven träbit på arbetsmaterialets undersida och sågar genom båda lagren som en dubbelsmörgås.
- Smörj såglinjen med olja innan du sågar.

Tillbehör

Vilka resultat du får med verktyget beror på vilka tillbehör du använder. Tillbehör från BLACKDECKER håller hög kvalitet och är konstruerade för att fungera optimalt med verktyget. Med dessa tillbehör får du ut mesta möjliga av verktyget.

Sågblad med både U-skaft och T-skaft kan användas med detta verktyg.

Underhåll

Detta verktyg har tillverkats för att fungera under lång tid med ett minimum av underhåll. Kontinuerlig tillfredsställande drift beror på ordentlig verktygsvård och regelbunden rengöring.



Varning! Innan något underhåll utförs måste verktyget stängas av och sladden dras ur vägguttaget.

- Rengör regelbundet verktygets luftintag och laddaren med en mjuk borste eller torr trasa.
- Rengör kåpan regelbundet med en fuktig trasa. Använd inga slipande eller lösningsmedelhaltiga rengöringsmedel.
- Applicera då och då en droppe olja på bladstödrullens axel.

Att skydda miljön



Separat insamling. Produkter och batterier märkta med denna symbol får inte kastas i de normala hushållssoporna.

Produkter och batterier innehåller material som kan återvinnas och återanvändas för att minska behovet av råmaterial.

Återvinn elektriska produkter och batterier enligt lokala bestämmelser. Närmare information finns tillgänglig på www.2helpU.com

Tekniska specifikationer

SFMCS600 (H1)		
Spänning	V_{dc}	18
Varvtal utan belastning	min^{-1}	0 - 2500
Slaglängd	mm	19
Maximalt sågningdjup		
Trä	mm	55
Stål	mm	8
Aluminium	mm	20
Vikt	kg	2,62

Laddare		SFMCB11	SFMCB12	SFMCB14
Inspänning	V_{AC}	230	230	230
Utspänning	V_{DC}	18	18	18
Strömstyrka	A	1,25	2	4

Batteri		SFMCB201	SFMCB202	SFMCB204	SFMCB206
Spänning	V_{DC}	18	18	18	18
Kapacitet	Ah	1,5	2,0	4,0	6,0
Typ		Li-jon	Li-jon	Li-jon	Li-jon

Ljudtrycksnivå enligt EN62841:

Ljudtryck (L_{pA}) 82 dB(A), osäkerhet (K) 5 dB(A)

Ljudeffekt (L_{WA}) 93 dB(A), osäkerhet (K) 5 dB(A)

Totala vibrationsvärden (vektorsumman av tre axlar) fastställda enligt EN62841:

Skivsågning ($a_{h, B}$) 4,9 m/s^2 , osäkerhet (K) 1,5 m/s^2

Plåtsågning ($a_{h, M}$) 8,8 m/s^2 , osäkerhet (K) 1,5 m/s^2

EG-försäkran om överensstämmelse

MASKINDIREKTIVET



Sladdlös figursåg - SFMCS600

Stanley Europe deklarerar att dessa produkter, beskrivna under "tekniska specifikationer" uppfyller: 2006/42/EC, EN62841-1:2015, EN62841-2-11:2016

Dessa produkter uppfyller också direktiv 2014/30/EU och 2011/65/EU. För mer information, var god kontakta Stanley Europe på följande adress, eller se handbokens baksida.

Undertecknad är ansvarig för sammanställning av den tekniska filen och gör denna förklaring på Stanley Europes vägnar.

A.P. Smith

Teknisk chef

STANLEY FATMAX Europe, Egide Walschaertsstraat14-18,
2800 Mechelen, Belgien
2019-10-22

Garanti

STANLEY FATMAX är övertygad om kvaliteten hos denna produkt och erbjuder kunder 12 månaders garanti från inköpsdatumet. Denna garanti är ett tillägg till dina lagstadgade rättigheter och påverkar inte dessa på något sätt. Garantin är giltig områden som tillhör medlemsstaterna i Europeiska unionen och det europeiska frihandelsområdet. För yrkande under garantin måste yrkandet vara i enlighet med STANLEY FATMAX villkor och du kommer att behöva skicka in bevis på köpet till försäljaren eller en auktoriserad reparatör. Villkoren för STANLEY FATMAX 1-åriga garanti och var du hittar din närmaste auktoriserade reparatör kan erhållas på internet på www.2helpU.com, eller genom att kontakta ditt lokala STANLEY FATMAX-kontor på adressen som angetts i denna manual.

Gå till vår webbplats www.stanleytools.eu/3 för att registrera din nya STANLEY FATMAX-produkt och få uppdateringar om nya produkter och specialerbjudanden.

Tiltenkt bruk

STANLEY FAT MAX-stikksagen er konstruert for saging av treverk, plast og metallplater. Dette verktøyet er tiltenkt både fagarbeidere og private brukere.

Sikkerhetsinstruksjoner

Generelle sikkerhetsadvarsler for elektriske verktøy



Advarsel! Les alle sikkerhetsadvarsler, instruksjoner, illustrasjoner og spesifikasjoner som følger dette elektriske verktøyet. Manglende overholdelse av advarslene og instruksjonene kan resultere i elektrisk sjokk, brann og/eller alvorlig skade.

Lagre alle advarsler og instruksjoner

for fremtidig bruk. Uttrykket "elektrisk verktøy" i advarslene henviser til ditt strømdrevne (med ledning) elektriske verktøy eller ditt batteridrevne (uten ledning) elektriske verktøy.

1. **Sikkerhet på arbeidsområdet**
 - a. **Hold arbeidsområdet rent og godt opplyst.** Rotete eller mørke områder er en invitasjon til ulykker.
 - b. **Ikke bruk verktøy i eksplosive omgivelser, slik som i nærheten av antennelige væsker, gasser eller støv.** Elektriske verktøy skaper gnister som kan antenne støv eller gasser.
 - c. **Hold barn og tilskuere borte mens du bruker elektriske verktøy.** Distraksjoner kan føre til at du mister kontrollen.
2. **Elektrisk sikkerhet**
 - a. **Støpselet til elektriske verktøy må passe til stikkkontakten.** Aldri modifier støpselet på noen måte. **Ikke bruk adaptere med jordede elektriske verktøy.** Umodifiserte støpsler og stikkontakter som passer vil redusere risikoen for elektrisk støt.
 - b. **Unngå kroppskontakt med jordete overflater slik som rør, radiatorer, komfyrer og kjøleskap.** Det er økt risiko for elektrisk støt dersom kroppen din er jordet.
 - c. **Ikke eksponer elektriske verktøy for regn eller våte forhold.** Dersom det kommer vann inn i et elektrisk verktøy vil det øke risikoen for elektrisk støt.
 - d. **Ikke bruk ledningen feil.** Aldri bruk ledningen til å bære, trekke eller dra ut støpselet til det elektriske verktøyet. Hold ledningen borte fra varme, olje, skarpe kanter eller bevegelige deler. Skadede eller flokede ledninger øker risikoen for elektrisk støt.
 - e. **Når du bruker et elektrisk verktøy utendørs, bruk en skjøteledning som er egnet for utendørs bruk.** Bruk av en skjøteledning beregnet for utendørs bruk reduserer risikoen for elektrisk støt.
 - f. **Dersom bruk av et elektrisk verktøy på et fuktig sted er uunngåelig, bruk en strømkilde med jordfeilbryter (RCD).** Bruk av jordfeilbryter (RCD) reduserer risikoen for elektrisk støt.
3. **Personlig sikkerhet**
 - a. **Hold deg våken, hold øye med det du gjør og bruk sunn fornuft når du bruker et elektrisk verktøy.** **Ikke bruk et elektrisk verktøy dersom du er trøtt eller er påvirket av medikamenter, narkotika eller alkohol.** Ett øyeblikks uoppmerksomhet under bruk av elektriske verktøy kan føre til alvorlig personskade.
 - b. **Bruk personlig verneutstyr. Bruk alltid vernebriller.** Verneutstyr slik som støvmaske, sklisikre vernesko, hjelm, eller hørselsvern brukt under passende forhold vil redusere personskader.
 - c. **Unngå utilsiktet oppstart. Sikre at bryteren er i av-stillingen før du kobler til strømkilden og/eller batteripakken, plukker opp eller bærer verktøyet.** Å bære elektriske verktøy med fingeren på bryteren eller å sette inn støpselet mens elektriske verktøy har bryteren på øker faren for ulykker.
 - d. **Fjern eventuelle justeringsnøkler før du slår på det elektriske verktøyet.** En nøkkel som er festet til en roterende del av det elektriske verktøyet kan føre til personskade.
 - e. **Ikke strekk deg for langt. Ha godt fotfeste og stå støtt hele tiden.** Dette fører til at du har bedre kontroll over det elektriske verktøyet ved uventede situasjoner.
 - f. **Bruk egnet antrekk. Ikke ha på deg løstsittende klær eller smykker.** Hold hår, antrekk og hansker borte fra bevegelige deler. Løstsittende klær, smykker og langt hår kan bli fanget opp av bevegelige deler.
 - g. **Hvis apparatet er utstyrt for tilkobling av støvutsugings- og -oppsamlingsinnretning, må du sørge for at disse er koblet til og ordentlig sikret.** Bruk av støvoppsamlere kan redusere støvrelaterte farer.
 - h. **Ikke la kjennskap du har fått gjennom hyppig bruk føre til at du blir likegyldig og ignorerer sikkerhetsprinsippene for verktøyet.** En uforsiktig handling kan føre til alvorlig personskade på brøkdelen av et sekund.
4. **Bruk og vedlikehold av elektriske verktøy**
 - a. **Ikke bruk kraft på verktøyet. Bruk det elektriske verktøyet som situasjonen krever.** Det riktige elektriske verktøyet vil gjøre jobben bedre og tryggere ved den hastigheten det ble konstruert for.
 - b. **Ikke bruk verktøyet hvis bryteren ikke kan slå verktøyet av eller på.** Ethvert elektrisk verktøy som ikke kan kontrolleres med bryteren er farlig og må repareres.

- c. **Koble støpselet fra strømkilden og/eller ta av batteripakken fra det elektriske verktøyet, hvis det er avtagbart, før du foretar noen justeringer, endrer tilbehør eller lagrer elektriske verktøy. Slike preventive sikkerhetsforanstaltninger reduserer risikoen for å starte det elektriske verktøyet ved et uhell.**
- d. **Lagre elektriske verktøy som ikke er i bruk, utilgjengelig for barn og la ikke personer som ikke er kjent med det elektriske verktøyet eller disse instruksjonene bruke det.** Elektriske verktøy er farlige i hendene på utrenede brukere.
- e. **Hold verktøy og tilbehør ved like. Kontroller om bevegelige deler er feiljustert eller fastskjært, om deler er ødelagt eller andre forhold som kan påvirke driften av verktøyet. Dersom det er skadet, få verktøyet reparert før neste bruk.** Mange ulykker forårsakes av dårlig vedlikeholdte verktøy.
- f. **Hold skjæreverktøy skarpe og rene.** Godt vedlikeholdte skjæreverktøy med skarpe skjærekanter setter seg mindre sannsynlig fast og er lettere å kontrollere.
- g. **Bruk elektroverktøy, tilbehør, verktøybits osv. i henhold til disse instruksjonene. Ta hensyn til arbeidsforholdene og arbeidet som skal utføres.** Bruk av det elektriske verktøyet for oppgaver som er forskjellige fra de som er tiltenkt kan føre til en farlig situasjon.
- h. **Hold håndtak og gripeflater tørre, rene og fri for fett olje og fett.**
Glatte håndtak og gripeområder gir utrygg håndtering og manglende kontroll over verktøyet i uventede situasjoner.
5. **Bruk og stell av batteriverktøy**
- a. **Skal kun lades opp ved hjelp av batteriladeren spesifisert av produsenten.** En lader som passer for en type batteripakke kan føre til risiko for brann dersom den brukes på en annen batteripakke.
- b. **Bruk elektroverktøy bare med spesifikt angitte batteripakker.** Bruk av andre batteripakker kan føre til risiko for personskade og brann.
- c. **Når batteripakken ikke er i bruk, må du oppbevare den atskilt fra andre metallgjenstander som binders, mynter, nøkler, spiker, skruer eller andre små metallgjenstander som kan opprette en forbindelse fra en terminal til en annen.** Kortslutning av batteripolene mot hverandre kan føre til brannskader eller brann.
- d. **Ved feilaktig bruk kan det komme væske ut av batteriet, unngå kontakt med den. Dersom du kommer i kontakt med den, skyl av med vann. Dersom du får væsken i øynene, søk legehjelp.** Væske som kommer ut av batteriet kan føre til irritasjon eller brannskader.
- e. Ikke bruk en batteripakke eller verktøy som er skadet eller modifisert. Skadede eller modifiserte batterier kan oppføre seg uforutsigbart og føre til brann, eksplosjon eller fare for personskade.
- f. Ikke utsett en batteripakke eller et verktøy for ild eller for høy temperatur. Ild eller temperatur over 130 °C kan føre til en eksplosjon.
- g. Følg alle anvisninger for lading og lad ikke batteripakken eller verktøyet ved temperaturer som avviker fra området spesifisert i bruksanvisningen. Feilaktig lading eller lading ved temperaturer utenfor det angitte område kan skade batteriet og øker brannfaren.
6. **Service**
- a. **Få det elektriske verktøyet ditt vedlikeholdt av en kvalifisert reparatør som kun bruker originale reservedeler.** Dette vil sikre at verktøyetets sikkerhet blir ivarettatt.
- b. **Utfør aldri vedlikehold på skadede BATTERI-pakker. Vedlikehold av BATTERI-pakker skal kun utføres av produsenten eller autoriserte serviceverksteder.**

Ytterligere sikkerhetsadvarsler for stikksager og bajonettsager

- **Hold elektroverktøyet i de isolerte grepene når du utfører et arbeid hvor skjæretilbehøret kan komme i kontakt med skjulte ledninger.** Kapping av en strømførende ledning kan føre til at eksponerte metalldele på elektroverktøyet blir strømførende, og kan gi operatøren støt.
- **Bruk tvinger eller annen praktisk måte å sikre og holde arbeidsstykket på et stabilt underlag.** Å holde arbeidsstykket i hendene eller mot kroppen er ustabil og kan føre til at du mister kontroll.
- **Hold hendene borte fra skjærområdet.** Du må aldri gripe under arbeidsstykket av noen som helst årsak. Ikke før fingre eller tommel inn i nærheten av sagbladet som går frem og tilbake, og sagbladfestet. Ikke stabiliser sagen ved å ta tak i foten.
- **Hold bladene skarpe.** Sløve eller skadede sagblader kan få sagen til å bøye av eller stanse under press. Bruk alltid sagblader som egner seg for arbeidsstykkets materiale og den type saging det er snakk om.
- **Når du sager rør eller kanaler, må du kontrollere at de er fri for vann, elektriske ledninger osv.**
- **Ikke berør arbeidsstykket eller sagbladet straks etter at du har brukt verktøyet.** De kan bli svært varme.
- **Vær oppmerksom på skjulte farer før du sager i vegger, gulv eller tak.** Lokaliser eventuelle kabler og rør.

- **Sagbladet vil fortsatt være i bevegelse etter at bryteren slippes løs.** Slå alltid verktøyet av og vent til sagbladet stanser helt, før du setter verktøyet ned.



Advarsel! Kontakt med eller inhalering av støv som oppstår ved skjæring, kan være helseskadelig for operatøren og eventuelle tilskuere. Bruk en støvmaske som er spesielt utformet for å verne mot støv og damp/gass, og pass på at personer som er i eller kommer inn i arbeidsområdet, også er beskyttet.

- Bruksområdet er beskrevet i denne bruksanvisning. Hvis du bruker annet tilbehør, kobler til annet utstyr eller bruker dette produktet til andre oppgaver enn det som er anbefalt i denne håndboken, kan det føre til fare for personskade og/eller skade på eiendom.

Sikkerhet for andre

- Det er ikke meningen at dette verktøyet skal brukes av personer (inkludert barn) med reduserte fysiske, sansemessige eller mentale evner, eller som mangler erfaring og kunnskap, med mindre de har fått oppfølging eller instruksjon når det gjelder bruken av apparatet, fra en person som er ansvarlig for deres sikkerhet.
- Barn må holdes under oppsyn, sørg for at de ikke leker med apparatet.

Restrisikoer.

Andre risikoer kan oppstå dersom du bruker verktøyet på en måte som ikke er beskrevet i de angitte sikkerhetsadvarslene. Slik risiko kan oppstå som følge av feil bruk, for lang bruk og annet.

Til tross for at man følger relevante sikkerhetsbestemmelser og bruker sikkerhetsutstyr, er det bestemte restrisikoer som ikke kan unngås. Disse inkluderer:

- Personskader som forårsakes av berøring av en roterende/bevegelig del.
- Personskader som forårsakes av at en del, et blad eller tilbehør endres.
- Personskader som forårsakes av langvarig bruk av et verktøy. Ved bruk av et verktøy i lengre perioder, pass på å ta regelmessige pauser.
- Hørselskader.
- Helsefarer som forårsakes av innånding av støv som dannes når du bruker verktøyet (eksempel: arbeid med tre, spesielt eik, bøk og MDF.)

Vibrasjon

Vibrasjonsemissionsverdien som er angitt under tekniske data og samsvarserklæring, er blitt målt i henhold til en standard testmetode som er angitt i EN 62841, og kan brukes til å sammenligne et verktøy med et annet. De angitte vibrasjonsverdiene kan også brukes som en foreløpig vurdering av eksponeringen.



Advarsel! De virkelige vibrasjonsverdiene under bruk av elektroverktøyet kan avvike fra de oppgitte verdiene avhengig av hvordan verktøyet brukes. Vibrasjonsnivået kan øke over det angitte nivået.

Ved vurdering av vibrasjonseksponering for bestemmelse av sikkerhetstiltak i henhold til 2002/44/EU for beskyttelse av personer som regelmessig bruker elektroverktøy i jobben, bør et estimat av vibrasjonseksponeringen ta hensyn til bruksforholdene og måten verktøyet brukes på, inkludert en vurdering av alle deler av arbeidsprosessen, så som varighet av bruk og tomgangstid i forhold til tid for virkelig bruk.

Etiketter på verktøyet

Følgende symboler vises på verktøyet:



Advarsel! For å redusere skaderisikoen, les bruksanvisningen.

Ytterligere sikkerhetsinstruksjoner for batterier og ladere

Batterier

- Forsøk aldri å åpne av noen årsak.
- Ikke utsett batteriet for vann.
- Oppbevar ikke på steder der temperaturen kan overskride 40 °C.
- Lad bare ved temperaturer mellom 10 °C og 40 °C.
- Bruk bare laderen som følger med apparatet.
- Følg instruksjonene i avsnittet "Miljø" når du skal kaste batterier.



Ikke forøk å lade opp skadede batterier.

Ladere

- Stanley Fat Max-laderen skal bare brukes til å lade batteriet i apparatet som laderen kom sammen med. Andre batterier kan sprekke og føre til personskade og materiell skade.
- Prøv aldri å lade ikke-oppladbare batterier.
- Skift ut defekte ledninger umiddelbart.
- Ikke utsett laderen for vann.
- Ikke åpne laderen.
- Ikke stikk gjenstander eller fingre ned i laderen.



Laderen er bare beregnet for bruk innendørs.



Les denne håndboken før bruk.

Elektrisk sikkerhet



Denne laderen er dobbeltisolert. Jording er derfor ikke nødvendig. Kontroller alltid at nettspenningen er i overensstemmelse med spenningen på typeskiltet. Prøv aldri å skifte ut laderen med en vanlig nettplugg.

- Hvis strømledningen blir skadet, må den byttes av produsenten eller et autorisert TANLEY FATMAX-servicesenter for å unngå fare.

Funksjoner

Dette verktøyet har følgende egenskaper og funksjoner.

1. Avtrekksbryter for variabel hastighet
2. Lås av-knapp
3. Låsespak for sagblad
4. Bladklemme
5. Fotplate
6. Skjærefunksjonsknapp
7. Batteri

Bruk



Advarsel! La verktøyet jobbe i sin egen hastighet. Ikke overbelast det.

Lading av batteriet (figur A)

Batteriet må lades før første bruk og hver gang det ikke lenger gir nok strøm til jobber som tidligere lett ble utført.

Batteriet kan bli varmt under ladning. Dette er normalt og innebærer ikke feil.



Advarsel! Ikke lad batteriet ved omgivelsestemperaturer under 10 °C eller over 40 °C. Anbefalt ladetemperatur er ca. 24 °C.







Merk: Laderen vil ikke lade et batteri hvis celledemperaturen er under ca. 10 °C eller over 40 °C.

Du bør la batteriet stå i laderen. Laderen begynner å lade automatisk når celledemperaturen blir høyere eller lavere.

Merk: For å sikre maksimum ytelse og levetid på Li-Ion batteripakker, lad batteripakken helt opp før første gangs bruk.

- Plugg inn laderen (8) i en passende stikkontakt før du setter inn batteripakken (7).
- Det grønne ladelyset (8a) blinker kontinuerlig som indikasjon på at ladeprossessen er startet.
- Fullført lading vises ved at det grønne ladelyset (8a) er PÅ kontinuerlig. Batteripakken (7) er da fullt oppladet og kan brukes, eller den kan bli stående i laderen (8).
- Lad utladete batterier innen 1 uke. Batterienes levetid vil bli mye mindre hvis de oppbevares utladet.

LED-moduser for laderen

	Lading: Blinkende grønn LED	
	Fulladet: Lysende grønn LED	
	Ventetid for varm/kald pakke: Blinkende grønn LED Lysende rød LED	

Merk: Kompatible ladere vil ikke lade en defekt batteripakke. Laderen vil indikere feil ved batteripakken ved at lyset ikke er på.

Merk: Dette kan også tyde på et problem med laderen. Dersom laderen indikerer et problem, ta med lader og batteripakke til et servicesenter for testing.

La batteriet være i laderen

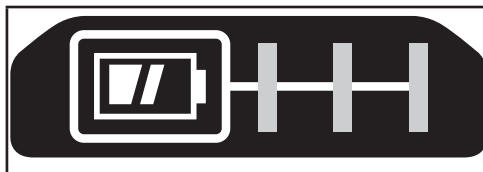
Laderen og batteripakken kan forbli tilkoblet med lysende lampe i ubegrenset tid. Laderen vil holde batteripakken klar og fulladet.

Ventetid for varm/kald pakke

Når laderen oppdager et batteri som er for varmt eller for kaldt, vil den automatisk starte ventetid for varm/kald pakke, og det grønne LED-lyset (8a) vil blinke, mens det røde LED-lyset (8b) vil lyse kontinuerlig og stoppe ladingen inntil batteriet når riktig temperatur. Laderen vil deretter automatisk skifte til lademodus for pakken. Denne funksjonen sikrer maksimal levetid på batteriet.

Batteriets ladeindikator (figur B)

Batteriet er utstyrt med en ladeindikator slik at man raskt kan se batterilevetiden som vist i figur B. Ved å trykke ladeindikatorknappen (7a) kan du enkelt se gjenværende batterilevetid som illustrert i figur B.



Sette inn og ta av batteripakke på verktøyet



Advarsel! Pass på at låseknappen er i bruk for å hindre utilsiktet aktivering av bryteren før du tar ut eller setter inn et batteri.

Installere batteripakken (figur C)

- Sett batteriet inn i verktøyet til du hører et klikk som vist på figur C. Forsikre deg om at batteripakken sitter helt inne og er låst i posisjon.

Ta ut batteripakken (figur C)

- Trykk på batteriutløserknappen (7b) som vist på figur C og dra batteripakken ut av verktøyet.

Beltøk (valgfritt tilbehør) (figur D)

Advarsel! For å redusere faren for alvorlig personskade, sett fremover/bakover knappen i låseposisjonen eller slå av verktøyet og kople fra batteripakken før du gjør justeringer eller fjerner/monterer tilbehør. Utsiktet oppstart kan føre til personskader.



Advarsel! For å redusere faren for alvorlig personskade, sørg for at skruen (10) som holder festekroken sitter godt.

Merk: Når du fester eller skifter ut festekroken (9) må du kun bruke skruen (10) som medfølger. Påse at skruen strammes godt. Dersom kroken ikke ønskes kan den fjernes fra verktøyet. For å flytte beltøkroken, ta ut skruen (10) som holder festekroken (9) på plass og monter den på den andre siden. **Merk:** Ulike kroker og lagringsløsninger for skinneveggsystemer er tilgjengelig. Besøk vår webside www.stanleytools.eu/3 for mer informasjon.

Montering

Advarsel! Før monteringen må du ta ut batteriet av verktøyet og forsikre deg om at sagbladet har stoppet. Brukte sagblad kan være varme.

Montering og demontering av sagbladet (figur E)

- Hold sagbladet (11) med taggene vendt fremover.
- Skyv låsespaken (3) for sagbladet ned.
- Sett skaffet på bladet helt inn i bladklømmen (4) så langt det går.
- Slipp spaken.
- Når du skal ta ut sagbladet (11), skyv ned låsespaken (3) for sagbladet og trekk bladet ut.



Advarsel! Bladet kan bli varmt under bruk. Benytt alltid hansker når du fjerner et blad.

Start og stopp (figur F)

- For å slå på skyver du låsebryteren (2) til venstre og trekker og holder i utløserbryteren for variabel hastighet (1).
- Slipp utløserbryteren (1) for å slå av.



Advarsel! Ikke slå verktøyet på eller av mens det er under belastning.



Advarsel! Skyv alltid låsebryteren (2) til høyre, låst posisjon, når verktøyet ikke er i bruk.

Hastighetskontroll

På/av-bryteren for variabel hastighet gir muligheter for å velge hastighet som gir mye større skjærehastighet ved saging i ulike materialer.

- Hastigheten bestemmes av hvor mye du drar i utløserbryteren (1).

Skråsaging (figur G, H & I)

Fotplaten kan skråstilles opptil 45° både til høyre og venstre.

Stille inn skråskjæringsvinkelen:

- Løsne festeskruen (12) for fotplaten med den medfølgende sekskantnøkkelen for å låse opp fotplaten (5).
- Skyv fotplaten (5) fremover for å løsne den fra sperringen på 0°.
- Roter fotplaten til ønsket sagingvinkel (figur H).
- Skyv fotplaten bakover for å sette den i en fordypning til venstre eller høyre.
- Trekk til festeskruen (12) for fotplaten med den medfølgende sekskantnøkkelen for å låse fotplaten (5) i ønsket posisjon.

Merk: Foten kan skråstilles til venstre eller høyre og har fordypninger ved 45°.

Skjærefunksjon (figur J)

Denne stikksagen er utstyrt med tre skjærefunksjoner, to orbitalbevegelser og én rett. Pendelbevegelsen har en mer aggressiv bladbevegelse og er designet for å skjære i myke materialer som treverk eller plast. Pendelbevegelsen skjærer raskere, men med mindre jevnhet på tvers av materialet. Under pendelbevegelse beveger bladet seg fremover under skjæring i tillegg til opp- og ned-bevegelsen.



Advarsel! Metall og hardved skal aldri skjæres i pendelbevegelse.

- Skyv skjærefunksjonsknappen (6) mellom de tre skjærefunksjonene: 0, 1 og 2.
- Posisjon 0 er for rett skjæring.
- Posisjon 1 og 2 er for orbitalskjæring.
- Aggressiviteten i kuttet øker etter hvert som spaken blir justert fra en til to, der to gir det mest aggressive kuttet.

Saging

- Hold alltid verktøyet med begge hender.
- La bladet gå fritt i noen få sekunder før du starter sagingen.
- Bruk bare et lett press på verktøyet når du sager.

- Hvis det er mulig, arbeider du med fotplaten (5) presset mot arbeidsstykket. Dette bedrer kontrollen over verktøyet, redusere vibrasjonen i dette og forebygger skade på bladet.

Tips for best bruk

Generelt

- Bruk høy hastighet for tre, middels hastighet for aluminium og PVC og lav hastighet for andre metaller enn aluminium.

Sage i laminat

Ettersom sagbladet skjærer på oppadgående bevegelse, kan det forekomme flising på flaten nærmest fotplaten.

- Bruk et fintagget sagblad.
- Sag fra den bakre flaten på arbeidsstykket.
- For å minimere flising, kan du klemme et stykke kapp eller fiberplate på begge sider av arbeidsstykket og sage gjennom dette.

Sage i metall

Vær oppmerksom på at saging i metall tar mye lengre tid enn saging i tre.

- Bruk et sagblad som egner seg for metallsaging. Bruk et fintannet sagblad for jernholdig metall og et grovere sagblad for ikke-jernholdige metaller.
- Når du skjærer tynne metallplater, kan du klemme et stykke kapp mot den bakre flaten på arbeidsstykket og skjære gjennom dette.
- Smør en film av olje over hele den tiltenkte skjærelinjen.

Tilbehør

Verktøyet tåler avhenger av tilbehøret du bruker.

Tilbehør fra STANLEY FATMAX er produsert etter høye kvalitetsstandarder og er konstruert for å bedre verktøyet tåler. Hvis du bruker dette tilbehøret, yter verktøyet best mulig.

Dette verktøyet kan brukes med sagblad med både U- og T-festetapper.

Vedlikehold

Verktøyet er konstruert for å være i drift over lengre tid med et minimum av vedlikehold. For at den skal fungere tilfredsstillende over tid, er det viktig å sørge for riktig stell og regelmessig renhold.



Advarsel! Før vedlikehold må verktøyet slås av og støpselet trekkes ut.

- Rengjør ventilasjonsåpningene i verktøyet og laderen jevnlig med en myk børste eller tørr klut.
- Rengjør motorhuset regelmessig med en fuktig klut. Ikke bruk skurende eller løsemiddelbaserte rengjøringsmidler.
- Påfør av og til en dråpe olje på akselen til bladets styreulle.

Beskyttelse av miljøet



Separat avfallshåndtering. Produkter og batterier som er merket med dette symbolet skal ikke kastes sammen med vanlig husholdningsavfall.

Produkter og batterier inneholder materialer som kan gjenbrukes eller gjenvinnes for å redusere behovet for nye råmaterialer.

Vennligst lever elektrisk utstyr og batterier til gjenbruk i henhold til lokale retningslinjer. Mer informasjon finner du på www.2helpU.com

Tekniske data

		SFMC600 (H1)
Spenning	V_{dc}	18
Ubelastet hastighet	o/min	0 - 2500
Slaglengde	mm	19
Maks. skjæredybde		
Tre	mm	55
Stål	mm	8
Aluminium	mm	20
Vekt	kg	2,62

Lader		SFMCB11	SFMCB12	SFMCB14
Inngangsspenning	V_{AC}	230	230	230
Utgangsspenning	V_{DC}	18	18	18
Strøm	A	1,25	2	4

Batteri		SFMCB201	SFMCB202	SFMCB204	SFMCB206
Spennning	V_{DC}	18	18	18	18
Kapasitet	Ah	1,5	2,0	4,0	6,0
Type		Li-ion	Li-ion	Li-ion	Li-ion

Lydtryknivå i henhold til EN62841:

Lydtrykk (L_{pA}) 82 dB(A), usikkerhet (K) 5 dB(A)

Lydeffekt (L_{WA}) 93 dB(A), usikkerhet (K) 5 dB(A)

Totale vibrasjonsverdier (vektorsum fra tre retninger) bestemt i samsvar med EN62841:

Saging av planker ($a_{h,B}$) 4,9 m/s², usikkerhet (K) 1,5 m/s²

Saging av metallplater ($a_{h,M}$) 8,8 m/s², usikkerhet (K) 1,5 m/s²

EU-samsvarserklæring

MASKINERIDIREKTIV



Stikksag uten ledning - SFMCS600

Stanley Europe erklærer at de produktene som er beskrevet under "tekniske data" er i samsvar med: 2006/42/EC, EN62841-1:2015, EN62841-2-11:2016

Disse produktene er også i samsvar med direktiv 2014/30/EU og 2011/65/EU. For mer informasjon, vennligst kontakt Stanley Europe på følgende adresser eller se baksiden av håndboken.

Undertegnede er ansvarlig for sammenstillingen av den tekniske filen og fremsetter denne erklæringen på vegne av Stanley Europe.

A.P. Smith

Technical Director of Engineering

STANLEY FATMAX Europe, Egide Walschaertsstraat14-18,
2800 Tessenlo, Belgia
2019-10-22

Garanti

STANLEY FATMAX er trygg på kvaliteten av produktene sine og tilbyr en 12 måneders garanti fra kjøpsdato. Denne garantien er et tillegg og endrer ikke dine rettigheter i henhold til loven. Garantien er gyldig innen områdene tilhørende medlemslandene i den Europeiske Union (EU) og det Europeiske Frihandelsområdet (EFTA).

For å ta garantien i bruk må kravet være i samsvar med kjøpsbetingelsene fra STANLEY FATMAX og du må vise kjøpskvittering til forhandleren eller til et autorisert serviceverksted. Betingelsene for STANLEY FATMAX' 1-års garanti og adressen til din nærmeste autoriserte serviceverksted kan du finne på Internett under www.2helpU.com, eller ved å kontakte ditt lokale STANLEY FATMAX-kontor, adressen er angitt i denne bruksanvisningen. Besøk våre nettsider på www.stanleytools.eu/3 for å registrere ditt nye STANLEY FATMAX-produkt og for å få informasjon om nye produkter og spesialtilbud.

Tilsluttet bruk

Din STANLEY FATMAX-stikksav er beregnet til at save i trær, plastic og metal. Dette værktøj er beregnet til erhvervsmæssige brugere og private ikke-erhvervsmæssige brugere.

Sikkerhedsinstruktioner

Generelle sikkerhedsadvarsler for elektrisk værktøj



Advarsel! Læs alle sikkerhedsadvarsler, instruktioner, illustrationer og specifikationer, der følger med dette elværktøj. Manglende overholdelse af de advarsler og instruktioner, der er anført nedenfor, kan medføre elektrisk stød, brand og/eller alvorlig personskade.

Gem alle advarsler og instruktioner for fremtidig reference. Termen "elværktøj" i advarselne refererer til dit elektroniske (ledning) eller batteribetjente (trådløse) elværktøj.

1. **Sikkerhed i arbejdsområdet**
 - a. **Sørg for, at arbejdsområdet er rent og godt oplyst.** Rodede eller mørke områder giver anledning til ulykker.
 - b. **Brug ikke elværktøjer i områder med eksplosionsfare som f.eks. nær letantændelige væsker, gasser eller støv.** Elværktøj danner gnister, der kan antænde støv eller dampe.
 - c. **Hold børn og omkringstående på afstand, når der anvendes elektrisk værktøj.** Distractioner kan medføre, at du mister kontrollen.
2. **El-sikkerhed**
 - a. **Stik på elektrisk værktøj skal passe til stikkontakten. Stikket må aldrig modificeres på nogen måde. Undlad at bruge adapterstik sammen med jordforbundet elektrisk værktøj.** Umodificerede stik og dertil passende stikkontakter reducerer risikoen for elektrisk stød.
 - b. **Undgå kropskontakt med jordforbundne overflader, såsom rør, radiatorer, komfurer og køleskabe.** Der er øget risiko for elektrisk stød, hvis din krop er jordforbundet.
 - c. **Undlad at udsætte elektrisk værktøj for regn eller våde forhold.** Hvis der trænger vand ind i et elektrisk værktøj, øges risikoen for elektrisk stød.
 - d. **Undlad at udsætte ledningen for overlast. Brug aldrig ledningen til at bære, trække værktøjet eller trække det ud af stikkontakten. Hold ledningen borte fra varme, olie, skarpe kanter og bevægelige dele.** Beskadigede eller sammenfiltrede ledninger øger risikoen for elektrisk stød.

- e. Når elektrisk værktøj benyttes udendørs, skal der anvendes en forlængerledning, som er egnet til udendørs brug. Brug af en ledning, der er egnet til udendørs brug, reducerer risikoen for elektrisk stød.
- f. Hvis det ikke kan undgås at betjene et elektrisk værktøj i et fugtigt område, benyt en strømforsyning (RCD), der er beskyttet af en fejlstrømsafbryder. Ved at benytte en fejlstrømsafbryder reduceres risikoen for elektrisk stød.
3. Personlig sikkerhed
- a. Vær opmærksom, pas på hvad du foretager dig, og brug sund fornuft, når du benytter et elektrisk værktøj. Betjen ikke værktøjet, hvis du er trætt, påvirket af narkotika, alkohol eller medicin. Et øjeblikks uopmærksomhed under anvendelse af et elektrisk værktøj kan forårsage alvorlig personskade.
- b. Anvend personligt beskyttelsesudstyr. Bær altid beskyttelsesbriller. Sikkerhedsudstyr, såsom støvmaske, skridsikre sikkerhedssko, sikkerhedshjelm eller høreværn, brugt når omstændighederne foreskriver det, reducerer omfanget af personskader.
- c. Undgå utilsigtet start. Sørg for, at der er slukket for kontakten, inden værktøjet tilsluttes en strømkilde og/eller batterienhed, samles op eller bæres. Når elektrisk værktøj bæres med fingeren på kontakten eller tilsluttes, når kontakten er tændt, giver det anledning til ulykker.
- d. Fjern eventuelle justerings- eller skruenøgler, før det elektriske værktøj startes. En skruenøgle eller anden nøgle, der bliver siddende på en roterende del af elektrisk værktøj, kan give anledning til personskade.
- e. Undlad at række for langt. Hold hele tiden en god fodstilling og balance. Dette giver bedre kontrol af det elektriske værktøj, når uventede situationer opstår.
- f. Bær hensigtsmæssig påklædning. Bær ikke løst tøj eller smykker. Hold dit hår og tøj væk fra bevægelige dele. Løstsiddende tøj, smykker eller langt hår kan blive fanget i bevægelige dele.
- g. Hvis der anvendes støvudsugnings- eller støvopsamlingsudstyr, skal dette tilsluttes og anvendes korrekt. Anvendelse af støvopsamlingsudstyr kan begrænse farer forårsaget af støv.
- h. Lad ikke kendskab opnået gennem hyppig brug af værktøjer lade dig blive tilbagelænet og ignorere principper for værktøjssikkerhed. En skødesløs handling kan forårsage alvorlig personskade inden for brøkdelen af et sekund.
4. Brug og pleje af elektrisk værktøj
- a. Undlad at bruge magt over for det elektriske værktøj. Brug det værktøj, der er bedst egnet til det arbejde, der skal udføres.
- Værktøjet vil klare opgaven bedre og mere sikkert med den ydelse, som det er beregnet til.
- b. Undlad at benytte værktøjet, hvis kontakten ikke tænder og slukker for det. Alt elektrisk værktøj, der ikke kan kontrolleres med kontakten, er farligt og skal repareres.
- c. Træk stikket ud af stikkontakten og/eller fjern batteripakken, hvis aftagelig fra det elektriske værktøj, før det elektriske værktøj justeres, dets tilbehør udskiftes, eller det stilles til opbevaring. Sådanne forebyggende sikkerhedsforanstaltninger mindsker risikoen for, at værktøjet startes utilsigtet.
- d. Opbevar elektrisk værktøj uden for rækkevidde af børn, og tillad ikke personer, som ikke er bekendt med dette elektriske værktøj eller disse instruktioner, at betjene værktøjet. El-værktøj er farligt i hænderne på personer, som ikke er instrueret i brugen deraf.
- e. Vedligehold elektrisk værktøj og tilbehør. Undersøg om bevægelige dele sidder skævt, binder eller er gået itu såvel som andre forhold, der kan påvirke betjeningen af elektriske værktøjer. Hvis det elektriske værktøj er beskadiget, skal det repareres før brug. Mange ulykker er forårsaget af dårligt vedligeholdt værktøj.
- f. Hold skæreværktøjer skarpe og rene. Ordentligt vedligeholdt skæreværktøj med skarpe skærekanter har mindre tilbøjelighed til at binde og er lettere at styre.
- g. Brug elværktøjet, tilbehøret, indsatsværktøj osv. i overensstemmelse med disse instruktioner under hensyntagen til arbejdsforholdene og arbejdet, der skal udføres med værktøjet. Brug af elektrisk værktøj til andre opgaver end dem, det er beregnet til, kan resultere i en farlig situation.
- h. Hold håndtag og gribeblader tørre, rene og fri for olie og fedt. Glatte håndtag og gribeblader giver ikke mulighed for sikker håndtering og styring af værktøjet i uventede situationer.
5. Brug og pleje af batteriværktøj
- a. Genoplad kun værktøjet ved brug af den oplader, der er angivet af producenten. En oplader, der passer til en type batteripakke, kan udgøre en risiko for brand, når den bruges til en anden type.
- b. Brug kun elværktøj sammen med batteripakker, der er specifikt beregnet hertil. Brugen af andre batteripakker kan medføre personskade og brand.
- c. Når batteripakken ikke er i brug, skal den holdes på afstand af andre metalgenstande, f.eks. papirclips, mønter, nøgler, søm, skruer og andre små metalgenstande, som kan skabe forbindelse mellem de to poler. Kortslutning af batteriet kan forårsage forbrændinger eller brand.

- d. Under grove forhold kan væske sive ud fra batteriet; undgå kontakt. Hvis der opstår kontakt ved et uheld, skyl med vand. Hvis væske kommer ind i øjnene, søg omgående lægehjælp. Væske, der siver ud fra batteriet, kan fremkalde irritationer eller forbrændinger.
- e. Anvend ikke en batteripakke eller et værktøj, der er beskadiget eller ændret. Beskadigede eller ændrede batterier kan udvise uforudsigelig adfærd og resultere i brand, eksplosion eller risiko for skader.
- f. Udsæt ikke en batteripakke eller et værktøj for ild eller meget varme temperaturer. Udsættelse for ild eller temperaturer over 130 °C kan medføre en eksplosion.
- g. Følg alle opladningsinstruktionerne og oplad ikke batteripakken eller værktøjet uden for det temperaturområde, der er anført i instruktionerne. Forkert opladning eller opladning ved temperaturer uden for det specificerede område kan beskadige batteriet og øge risikoen for brand.
6. Service
- a. Elektrisk værktøj skal serviceres af en kvalificeret servicetekniker, som udelukkende benytter identiske reservedele. Derved sikres det, at værktøjets driftssikkerhed opretholdes.
- b. Udfør aldrig service på beskadigede BATTERI-pakker. Service på BATTERI-pakker bør kun udføres af producenten eller autoriserede udbydere.

Yderligere sikkerhedsadvarsler for stiksave og bajonetsave

- Hold i elværktøjets isolerede gribeblader, hvis der er risiko for, at skæreudstyret kommer i kontakt med skjulte ledninger. Kommer skæreværktøjet i kontakt med en "strømførende ledning", kan blottagte metaldele på elværktøjet gøres strømførende og give stød til brugeren.
- Brug klemmer eller en anden praktisk måde på at sikre og understøtte arbejdsemnet til et stabilt underlag. Hvis du holder fast i arbejdsemnet med din hånd eller krop, vil det være ustabil, og det kan medføre, at du mister kontrollen over det.
- Hold hænderne på afstand af skæreområdet. Ræk aldrig ind under materialet uanset årsagen. Anbring ikke fingrene i nærheden af den frem- og tilbagegående kling og klingeholderen. Stabiliser ikke saven ved at gribe omkring sålen.
- Hold klingerne skarpe. Døve eller beskadigede klinger kan få saven til at slingre eller standse under pres. Brug altid den rigtige type savklinger til materialet og formålet.
- Når der saves i rør og rørledninger, er det vigtigt, at de er fri for vand, elektriske ledninger osv.

- Rør ikke ved materialet eller klingens umiddelbart efter, at værktøjet har været i brug. De kan blive meget varme.
- Vær opmærksom på skjulte farer, inden der saves i vægge, gulve eller lofter. Kontroller, om der findes ledninger og rør.
- Klingens fortsætter med at bevæge sig, efter at kontakten er sluppet. Sluk altid værktøjet, og vent, indtil savklingens bevægelse er helt ophørt, inden du lægger værktøjet fra dig.



Advarsel! Berøring af eller indånding af støvpartikler fra skærearbejder kan udgøre en fare for både brugerens og eventuelle tilskuers helbred. Bær en støvmaske, der er specielt beregnet til beskyttelse mod støv og røg, og sørg for, at personer på eller på vej ind i arbejdsområdet også er beskyttet.

- Den tilsigtede anvendelse er beskrevet i denne betjeningsvejledning. Brug af ekstraudstyr eller tilbehør eller udførelse af andre opgaver med dette værktøj end de, der anbefales i denne vejledning, kan medføre risiko for personskade og/eller materiel skade.

Andres sikkerhed

- Dette værktøj må ikke bruges af personer (herunder børn) med nedsatte fysiske, sensoriske eller mentale evner eller manglende erfaring og viden, medmindre det sker under overvågning, eller der gives instruktion i brugen af værktøjet af en person, der er ansvarlig for deres sikkerhed.
- Børn skal holdes under opsyn, så det sikres, at de ikke leger med værktøjet.

Restrisici.

Yderligere restrisici kan opstå, når du bruger værktøjet på en måde, som måske ikke er indeholdt i de vedlagte sikkerhedsadvarsler. Disse risici kan opstå som følge af forkert brug, langvarigt brug osv.

På trods af overholdelsen af de relevante sikkerhedsregler og brug af sikkerhedsudstyr kan visse restrisici ikke undgås. Disse omfatter:

- Tilskadekomst forårsaget af berøring af roterende/ bevægelige dele.
- Tilskadekomst forårsaget af udskiftning af dele, blade eller tilbehør.
- Tilskadekomst forårsaget af langvarig brug af et værktøj. Når du bruger et værktøj i længere perioder, skal du sørge for at holde regelmæssige pauser.
- Hørenedsættelse.
- Sundhedsrisici forårsaget af indånding af støv, der genereres ved brug af værktøjet (eksempel: Arbejde med træ, især, eg, bøg og MDF.)

Vibration

De angivne værdier for udsendelse af vibration anført under de tekniske data og overensstemmelseserklæringen er målt i henhold til standardtestmetoden i EN 62841 og kan bruges til at sammenligne ét værktøj med et andet. Den deklarerede vibrationsmissionsværdi kan også anvendes i en foreløbig vurdering af eksponeringen.



Advarsel! Vibrationsmissionsværdien kan under faktisk brug af elværktøjet afvige fra den angivne værdi afhængigt af de måder, hvorpå værktøjet anvendes. Vibrationsniveauet kan stige til over det angivne niveau.

Ved vurdering af vibrationseksponeringen til at fastlægge de sikkerhedsforanstaltninger, der kræves af 2002/44/EC for at beskytte personer der regelmæssigt benytter elværktøj på arbejde, bør en vurdering af vibrationseksponeringen overvejes, de faktiske anvendelsesbetingelser og den måde, hvorpå værktøjet anvendes, herunder under hensyntagen til alle dele af drifts cyklussen som f.eks. de tidspunkter, hvor værktøjet er slukket, og når det kører i tomgang, udover udløsningsstiden.

Mærkatere på værktøjet

Følgende symboler er anbragt på værktøjet:



Advarsel! For at reducere risikoen for personskade bør du læse betjeningsvejledningen.

Yderligere sikkerhedsvejledninger for batterier og ladere

Batterier

- Forsøg aldrig at åbne den af en eller anden grund.
- Batteriet må ikke udsættes for fugt.
- Opbevar ikke på steder, hvor temperaturen kan overstige 40 °C.
- Fortag kun opladning ved omgivelsestemperaturer mellem 10 °C og 40 °C.
- Oplad kun ved hjælp af den medfølgende lader.
- Følg vejledningen i afsnittet "Miljøbeskyttelse" ved bortskaffelse af batterier.



Forsøg ikke at oplade beskadigede batterier.

Opladere

- Brug kun din Stanley Fat Max-lader til at oplade batteriet i det værktøj, som den blev leveret sammen med. Andre batterier kan eksplodere og forårsage personskade og materiel skade.
- Forsøg aldrig at oplade ikke-genopladelige batterier.

- Udskift straks defekte ledninger.
- Laderen må ikke udsættes for fugt.
- Laderen må ikke åbnes.
- Undersøg ikke laderen.



Laderen er kun beregnet til indendørs brug.



Læs brugervejledningen, før værktøjet tages i brug.

El-sikkerhed



Opladeren er dobbelt isoleret. Derfor er en jordledning ikke nødvendig. Kontroller altid, at netspændingen svarer til spændingen på typeskiltet. Forsøg aldrig at erstatte opladerenheden med et almindeligt netstik.

- Hvis netledningen beskadiges, skal den udskiftes af producenten eller et autoriseret STANLEY FATMAX-værksted, så farlige situationer undgås.

Funktioner

Dette værktøj indeholder nogle eller alle funktioner.

1. Variabel hastighedsudløserkontakt
2. Låseknop
3. Låsegreb til savklinge
4. Klingeholder
5. Sål
6. Knap til savning
7. Batteri

Brug



Advarsel! Lad værktøjet arbejde i sit eget tempo. Overbelast det ikke.

Opladning af batteriet (fig. A)

Batteriet skal oplades inden ibrugtagningen, og når det ikke leverer strøm nok til opgaver, der tidligere kunne udføres ubesværet.

Batteriet kan blive varmt under opladningen. Det er normalt og ikke tegn på problemer.



Advarsel! Oplad ikke batteriet ved omgivende temperaturer på under 10 °C eller over 40 °C. Den anbefalede opladningstemperatur er ca. 24 °C.

Bemærk: Opladeren oplader ikke et batteri, hvis dets temperatur er under ca. 10 °C eller over 40 °C.

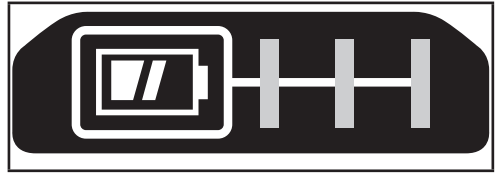
Batteriet bør blive siddende i laderen, som automatisk begynder opladningen, når batteriet opvarmes/afkøles.

Bemærk: For at sikre maksimal ydeevne og levetid for li-ion batteripakker skal batteripakken lades helt op, før den anvendes første gang.

- Indsæt opladeren (8) i en passende udgang, før batteripakken (7) indsættes.
- Den grønne opladningslampe (8a) vil blinke hele tiden og angive, at opladningsprocessen er startet.
- Når opladningen er færdig, vil det blive angivet af den grønne opladningslampe (8a), som vil lyse konstant på ON. Batteripakken (7) er fuldt opladet og kan nu anvendes eller kan efterlades i opladeren (8).
- Afladede batterier bør oplades inden for 1 uge. Batteriet levetid reduceres kraftigt, hvis batteriet opbevares i afladet tilstand.

Batteriets ladetilstandsindikator (fig. B)

Batteriet indeholder en ladetilstandsindikator for hurtigt at afgøre batterilevetidens omfang, som vist i figur B. Hvis du trykker på ladetilstandsknappen (7a), kan du nemt se den resterende opladning i batteriet, som illustreret i figur B.



Indsættelse og udtagning af batteripakken fra værktøjet



Advarsel!! Sørg for, at låseknappen er aktiveret, for at forhindre utilsigtet aktivering af startknappen inden afmontering eller isætning af et batteri.

Sådan installeres batteripakken (fig. C)

- Indsæt batteripakken helt ind i værktøjet, indtil du hører et klik som vist i figur C. Kontrollér at batteripakken sidder godt fast og er helt låst i position.

Sådan fjernes batteripakken (fig. C)

- Tryk batteriets udløserknop (7b) ned som vist i figur C og træk batteripakken ud af værktøjet.

Opbevaringskrog (ekstraudstyr) (fig. D)



Advarsel!! For at reducere risikoen for alvorlige kvæstelser, anbring forlæns-/baglænsknappen i startspærreposition eller slå værktøjet fra og frakobel batteripakken, før der foretages nogen justeringer, eller der af-/påmonteres tilbehør eller ekstraudstyr. Start ved et uheld kan medføre skader.



Advarsel!! For at mindske risikoen for alvorlige personskader skal du sikre, at skruen (10), der holder opbevaringskrogen, er fastskruet.

Bemærk: Ved fastgørelse eller udskiftning af opbevaringskrogen (9) må kun den medfølgende skrue (10) anvendes. Sørg for at spænde skruen godt. Hvis krogen slet ikke skal bruges, kan den fjernes fra værktøjet.

Du kan fjerne opbevaringskrogen ved at fjerne skruen (10), der holder opbevaringskrogen (9) på plads.

Bemærk: Der er forskellige tilgængelige vægskinneskroge og opbevaringskonfigurationer. Besøg venligst vores websted www.stanleytools.eu/3 for yderligere oplysninger.

Tilstande af LED for opladning

	Oplader: Grøn LED Intermitterende	
	Helt opladet: Grøn LED Fast	
	Varm/kold pakkeforsinkelse: Grøn LED Intermitterende Rød LED Fast	

Bemærk: Kompatible oplader(e) vil ikke oplade en defekt batteripakke. Opladeren vil angive en defekt batteripakke ved at nægte at lyse.

Bemærk: Dette kan også betyde et problem med opladeren. Hvis opladeren angiver et problem, tag opladeren og batteripakken med hen til et autoriseret servicecenter for at blive kontrolleret.

Lad batteriet blive siddende i laderen

Du kan lade batteripakken sidde i laderen med tændt lysdiode, så længe det ønskes. Laderen holder batteripakken klar og fuldt opladet.

Varm/kold pakkeforsinkelse

Når opladeren registrerer et batteri, der er for varmt eller for koldt, starter den automatisk en Varm/kold pakkeforsinkelse, den grønne LED (8a) blinker intermitterende, mens den røde LED (8b) forbliver tændt kontinuerligt, og den venter med opladning, indtil batteriet har nået en passende temperatur. Opladeren skifter derefter automatisk til pakkeopladningsfunktion. Denne funktion sikrer maksimal batterilevetid.

Samling



Advarsel! Før montering: Tag batteriet ud af værktøjet og kontroller, at savklingen er standset. Savklinger, der har været i brug, kan være varme.

Montering og afmontering af savklingen (Fig. E)

- Hold savklingen (11), så tænderne vender fremad.
- Skub låsegrebet til savklinge (3) nedad.
- Sæt savklingens skaft helt ind i klingeholderen (4), så langt det kan komme.
- Udløs grebet.
- Savklingen (11) fjernes ved at skubbe låsegrebet til savklinge (3) nedad og trække klingens ud.



Advarsel! Klingens kan blive varm efter brug. Bær altid handsker ved afmontering af en klinge.

Tænd og sluk (fig. F)

- Skub låseknappen (2) mod venstre, og træk og hold derefter startknappen til trinløs hastighedsregulering (1) for at tænde værktøjet.
- Slip startknappen (1) for at stoppe værktøjet.



Advarsel! Start og stop ikke værktøjet, mens det er under belastning.



Advarsel! Skub altid låseknappen (2) mod højre (låst position), når værktøjet ikke er i brug.

Trinløs hastighedskontrol

Aftrykknappen til trinløs indstilling af hastigheden gør det muligt at vælge hastighed, så der hurtigere kan saves igennem forskellige materialer.

- Hastigheden bestemmes af, hvor meget startknappen (1) trækkes.

Skråsnit (fig. G, H & I)

Sålen kan indstilles til en venstre eller højre skråskæring på 45°.

Sådan indstilles fæsvinklen:

- Løsn bolten, der holder skoen (12), med den sekskantede indstiksnøgle for at frigøre sålen (5).
- Lad sålen (5) glide fremad for at frigøre den fra indstillingen ved 0°.
- Drej sålen til den ønskede fæsvinkel (fig. H).
- Lad sålen glide bagud for at aktivere indstillingen til venstre eller højre.
- Stram bolten, der holder skoen (12), med den sekskantede indstiksnøgle for at låse sålen (5) i den ønskede position.

Bemærk: Skoen kan vinkles til venstre eller højre og har indstillinger ved 45°.

Savning (fig. J)

Denne stiksav har tre saveaktioner, to cirkelbevægelser og én lige bevægelse. Pendulfunktionen har en mere aggressiv klingebevægelse og er designet til skæring i bløde materialer som fx træ eller plastik. Pendulfunktionen giver en hurtigere snit med et mindre blødt snit gennem materialet. I pendulfunktion flytter klingens fremad under skæreslaget udover op- og nedbevægelsen.



Advarsel! Metal eller hårdt træ må aldrig skæres i pendulfunktion.

- Skub knappen til savning (6) hen mellem de tre savepositioner: 0, 1 og 2.
- Position 0 er til lige snit.
- Position 1 og 2 er til cirkelsnit.
- Snittets aggressivitet øges, efterhånden som grebet reguleres fra et til to, hvor to er det mest aggressive snit.

Savning

- Hold altid værktøjet med begge hænder.
- Lad klingens løbe frit et par sekunder, inden du begynder at save.
- Tryk kun let med værktøjet, mens du skærer.
- Arbejd om muligt med sålen (5) trykket mod materialet. Det giver bedre kontrol over værktøjet, og vibrationerne reduceres, ligesom du undgår at beskadige klingens.

Tip til optimal brug

Generelt

- Brug en høj hastighed til træ, en middel hastighed til aluminium og PVC og en lav hastighed til metaller udover aluminium.

Skæring i laminaer

Når savklingen skærer opad, kan der forekomme splintring på overfladen nærmest sålen.

- Brug en savklinge med fine tænder.
- Skær fra bagsiden af arbejds materialet.
- Klem et stykke spildtræ eller hardboard på begge sider af materialet og sav gennem denne sandwich for at minimere splintringen.

Skæring i metal

Vær opmærksom på, at skæring i metal tager meget længere tid end skæring i træ.

- Brug en savklinge der egner sig til skæring i metal. Brug den fintandede klinge til jernholdige metaller og den grovere klinge til metaller uden jern.
- Klem et stykke spildtræ til bagsiden af arbejds materialet og sav gennem denne sandwich, når der skæres i tynde metalplader.
- Læg en oliefilm langs den påtænkte skærelinje.

Tilbehør

Værktøjets ydeevne afhænger af det anvendte tilbehør. Tilbehør fra STANLEY FATMAX er fremstillet efter høje kvalitetsstandarder og er designet til at forbedre dit værktøjs ydeevne. Når du bruger dette tilbehør, vil værktøjet yde optimalt.

Dette værktøj kan anvende savklinger med både U-skaft og T-skaft.

Vedligeholdelse

Dette værktøj er beregnet til brug gennem lang tid med et minimum af vedligeholdelse. Vedvarende tilfredsstillende funktion er afhængig af, om værktøjet plejes korrekt og rengøres regelmæssigt.



Advarsel! Før der udføres vedligeholdelse, skal værktøjet slukkes og stikket trækkes ud.

- Rens jævnligt værktøjets og laderens ventilationshuller med en blød børste eller en tør klud.
- Rengør med jævne mellemrum motorhuset med en fugtig klud. Brug ikke et slibende eller opløsningsmiddel-baseret rengøringsmiddel.
- Smør med mellemrum akslen på klingens støtteruller med en dråbe olie.

Miljøbeskyttelse



Særskilt bortskaffelse. Produkter og batterier mærket med dette symbol må ikke bortskaffes sammen med normalt husholdningsaffald.

Produkter og batterier indeholder materialer, der kan blive gendannet eller genanvendt og således reducere efterspørgslen efter råvarer.

Genbrug venligst elektriske produkter og batterier i henhold til lokale regulativer. Yderligere informationer findes på www.2helpU.com

Tekniske data

		SFMC600 (H1)
Spænding	V_{DC}	18
Hastighed ved ingen belastning	min^{-1}	0 - 2500
Slaglængde	mm	19
Maks. skæredybde		
Træ	mm	55
Stål	mm	8
Aluminium	mm	20
Vægt	kg	2,62

Oplader		SFMCB11	SFMCB12	SFMCB14
Indgangsspænding	V_{AC}	230	230	230
Udgangsspænding	V_{DC}	18	18	18
Strømstyrke	A	1,25	2	4

Batteri		SFMCB201	SFMCB202	SFMCB204	SFMCB206
Spænding	V_{DC}	18	18	18	18
Kapacitet	Ah	1,5	2,0	4,0	6,0
Type		Li-Ion	Li-Ion	Li-Ion	Li-Ion

Lydtrykniveau i henhold til EN62841:

Lydtryk (L_{pA}) 82 dB(A), usikkerhed (K) 5 dB(A)

Lydeffekt (L_{WA}) 93 dB(A), usikkerhed (K) 5 dB(A)

Samlede værdier for vibration (triaksial vektorsum) i henhold til EN62841:

Savning i lister ($a_{h,B}$) 4,9 m/s^2 , usikkerhed (K) 1,5 m/s^2

Savning i metalplader ($a_{h,M}$) 8,8 m/s^2 , usikkerhed (K) 1,5 m/s^2

EF-overensstemmelseserklæring

MASKINDIREKTIV



Ledningsfri stiksav - SFMCS600

Stanley Europe erklærer, at produkterne beskrevet under "tekniske data" er udformet i overensstemmelse med: 2006/42/EC, EN62841-1:2015, EN62841-2-11:2016

Disse produkter opfylder også direktiv 2014/30/EU og 2011/65/EU. Kontakt Stanley Europe på følgende adresse for yderligere oplysninger eller se bagsiden af vejledningen.

Undertegnede er ansvarlig for kompilering af den tekniske fil og udsteder denne erklæring på vegne af Stanley Europe.

A.P. Smith

Teknisk direktør for konstruktioner

STANLEY FATMAX Europe, Egide Walschaertsstraat14-18,
2800 Tessenderlo, Belgien
2019-10-22

Garanti

STANLEY FATMAX er sikker på kvaliteten af sine produkter og giver forbrugeren en garanti på 12 måneder fra købsdatoen. Denne garanti er en tilføjelse til dine lovbestemte rettigheder. Garantien er gyldig inden for medlemsstaterne af Den Europæiske Union og Det Europæiske Frihandelsområde. Når du gør krav på garantien, skal kravet være i overensstemmelse med STANLEY FATMAX vilkår og betingelser, og du skal indsende dokumentation for købet til sælgeren eller til en autoriseret reparatør. Vilkår og betingelser for STANLEY FATMAX 1 års garanti og placeringen af dit nærmeste autoriserede serviceværksted kan fås på internettet på www.2helpU.com, eller ved at kontakte dit lokale STANLEY FATMAX kontor på den adresse, der er angivet i denne vejledning.

Besøg venligst vores websted www.stanleytools.eu/3 for at registrere dit nye STANLEY FATMAX-produkt og modtage opdateringer om nye produkter og specielle tilbud.

Käyttötarkoitus

STANLEY FATMAX -pistosaha on suunniteltu puun, muovin ja metallin sahaamiseen. Työkalu on tarkoitettu sekä ammattieitä yksityiskäyttöön.

Turvaohjeet

Sähkötyökalun yleiset turvallisuusvaroitukset



Varoitus! Lue kaikki tämän laitteen mukana toimitetut varoitukset, käyttöohjeet, kuvat ja tekniset tiedot. Jos alla olevia varoituksia ja ohjeita ei noudateta, on olemassa sähköiskun, tulipalon ja/tai vakavan henkilövahingon vaara.

Tallenna kaikki varoitukset ja ohjeet myöhempää tarvetta varten. Kaikissa alla olevissa varoituksissa on käytettävä sähkötyökaluilmaus viittaa verkkovirtaan yhdistettävään tai akkukäyttöiseen työkaluun.

1. Työalueen turvallisuus

- Pidä työskentelyalue siistinä ja kirkkaasti valaistuna.** Onnettomuuksia sattuu herkemmin epäsiistissä tai huonosti valaistussa ympäristössä.
- Älä käytä sähkötyökaluja, jos on olemassa räjähdysvaara esimerkiksi syttyvien nesteiden, kaasujen tai pölyn vuoksi.** Sähkötyökalujen aiheuttamat kipinät voivat sytyttää pölyn tai kaasut.
- Pidä lapset ja sivulliset kaukana käyttäessäsi sähkötyökalua.** Keskittymiskyvyn herpaantuminen voi aiheuttaa hallinnan menettämisen.

2. Sähköturvallisuus

- Pistokkeen ja pistorasian on vastattava toisiaan. Älä koskaan tee pistokkeeseen mitään muutoksia. Älä yhdistä maadoitettua sähkötyökalua jatkojohtoon.** Sähköiskun vaara vähenee, jos pistokkeisiin ei tehdä muutoksia ja ne yhdistetään vain niille tarkoitettuihin pistorasioihin.
- Älä kosketa maadoituksessa käytettäviin pintoihin, kuten putkiin, lämpöpattereihin ja jäähdytyslaitteisiin.** Voit saada sähköiskun, jos kehosi on maadoitettu.
- Älä altista sähkötyökaluja sateelle tai kosteudelle.** Sähkötyökaluun menevä vesi lisää sähköiskun vaaraa.
- Älä vaurioita sähköjohtoa. Älä kanna sähkötyökaluja sähköjohdosta tai vedä pistoketta pistorasiasta sähköjohdon avulla. Pidä sähköjohto kaukana kuumuudesta, öljystä, terävistä reunoista tai liikkuvista osista.** Vaurioituneet tai sokeutuneet johdot lisäävät sähköiskun vaaraa.

- e. Jos käytät sähkötyökalua ulkona, käytä vain ulkokäyttöön tarkoitettua jatkojohtoa. Ulkokäyttöön tarkoitettun sähköjohdon käyttäminen vähentää sähköiskun vaaraa.
- f. Jos sähkötyökalua on käytettävä kosteassa paikassa, käytä vikavirtasuojaa. Tämä vähentää sähköiskun vaaraa.
- 3. Henkilökohtainen turvallisuus**
- a. Käyttäessäsi sähkötyökalua pysy valppaana, keskity työhön ja käytä tervettä järkeä. Älä käytä tätä sähkötyökalua ollessasi väsynyt tai alkoholin, huumeiden tai lääkkeiden vaikutuksen alaisena. Keskittymisen herpaantuminen hetkeksikin sähkötyökalua käytettäessä voi aiheuttaa vakavan henkilövahingon.
- b. Käytä henkilösuojausvarusteita. Käytä aina suojalaseja. Hengityssuojaimen, liukumattomien turvajalkineiden, kypärän ja kuulosuojaimen käyttäminen vähentää henkilövahinkojen vaaraa.
- c. Estä tahaton käynnistäminen. Varmista, että virtakytkin on OFF-asennossa, ennen kuin kytket sähkötyökalun pistorasiaan, yhdistät siihen akun, nostat sähkötyökalun käteesi tai kannat sitä. Sähkötyökalun kantaminen sormi virtakytkimellä lisää onnettomuusvaaraa.
- d. Poista kaikki säätöavaimet tai vääntimet ennen sähkötyökalun käynnistämistä. Sähkötyökalun pyöriivään osaan jäänyt säätöavain tai väännin voi aiheuttaa henkilövahingon.
- e. Älä kurkottele. Huolehdi siitä, että sinulla on koko ajan tukeva jalansija ja hyvä tasapaino. Näin voit hallita sähkötyökalua paremmin odottamattomissa tilanteissa.
- f. Pukeudu oikein. Älä käytä löysiä vaatteita tai koruja. Pidä hiukset ja vaatteet loitolla liikkuvista osista. Löysät vaatteet, korut tai pitkät hiukset voivat tarttua liikkuviin osiin.
- g. Jos käytettävissä on laitteita pölyn ottamiseksi talteen, käytä niitä. Pölyn ottaminen talteen voi vähentää pölyn aiheuttamia vaaroja.
- h. Älä anna työkaluista saadun käyttökokemuksen aiheuttaa liiallista itsevarmuutta; työkalun turvallisuusohjeita tulee aina noudattaa. Huolimaton käyttö voi aiheuttaa vakavia henkilövahinkoja sekunnin murto-osassa.
- 4. Sähkötyökalusta huolehtiminen**
- a. Älä kohdista sähkötyökaluun liikaa voimaa. Valitse käyttötarkoituksen kannalta oikea sähkötyökalu. Sähkötyökalu toimii paremmin ja turvallisemmin, kun sitä käytetään sille suunniteltuun käyttötarkoitukseen.
- b. Älä käytä sähkötyökalua, jos virtakytkin ei toimi. Jos sähkötyökalua ei voi hallita kytkimen avulla, se on vaarallinen ja se on korjattava.
- c. Katkaise sähkötyökalusta virta ja/tai irrota sen pistoke pistorasiasta tai irrota akku (jos irrotettavissa) siitä ennen säätämistä, varusteiden vaihtamista tai sähkötyökalun asettamista säilytykseen. Näin voit vähentää vahingossa käynnistymisen aiheuttaman henkilövahingon vaaraa.
- d. Varastoi sähkötyökaluja lasten ulottumattomissa. Älä anna sähkötyökaluihin tottumattomien tai näihin ohjeisiin perehtymättömien henkilöiden käyttää sähkötyökaluja. Sähkötyökalut ovat vaarallisia kouluttamattomien käyttäjien käsissä.
- e. Varmista sähkötyökalujen ja lisävarusteiden hyvä kunto. Tarkista liikkuvat osat, niiden kiinnitys, osien eheys ja muut koneen toimintaan vaikuttavat tekijät. Jos havaitset vaurioita, korjauta sähkötyökalu ennen niiden käyttämistä. Huonosti kunnossapidetyt sähkötyökalut aiheuttavat onnettomuuksia.
- f. Pidä leikkaavat pinnat terävinä ja puhtaina. Kunnossa pidettyjen leikkaavia teräviä reunoja sisältävien työkalut todennäköisyys jumiuutta vähenee, ja niitä on helpompi hallita.
- g. Käytä sähkötyökaluja, tarvikkeita, vaihtotyökaluja jne. näiden ohjeiden mukaisesti. Ota tällöin huomioon työolosuhteet ja suoritettava toimenpide. Jos sähkötyökalua käytetään näiden ohjeiden vastaisesti, voi syntyä vaaratilanne.
- h. Varmista, että kahvat ja kädensijat ovat kuivia, puhtaita ja öljyttömiä sekä rasvattomia. Liukkaat kahvat ja pinnat heikentävät työkalun hallinnan ja ohjauksen turvallisuutta odottamattomissa tilanteissa.
- 5. Akkutyökalun käyttö ja huolto**
- a. Lataa vain valmistajan määrittämällä laturilla. Laturi, joka on sopiva yhden tyyppiselle akulle, voi aiheuttaa tulipalon vaaran, jos sitä käytetään toisen tyyppisellä akulla.
- b. Käytä sähkötyökalussa ainoastaan kyseiseen sähkötyökaluun tarkoitettua akkua. Muun tyyppisen akun käyttö saattaa johtaa loukkaantumiseen ja tulipaloon.
- c. Pidä irrallinen akku loitolla metalliesineistä, kuten paperiliittimistä, kolikoista, avaimista, nauloista, ruuveista tai muista pienistä metalliesineistä, jotka voivat aiheuttaa oikosulun akun navoissa. Kennon pinteiden oikosulku voi aiheuttaa palovammoja tai tulipalon.

- d. Väärin käytetystä akusta voi vuotaa nestettä. Älä kosketa sitä. Jos nesteen kanssa joutuu kosketuksiin, huuhtelee vedellä. Jos nestettä joutuu silmiin, hakeudu lisäksi lääkärin hoitoon. Akusta roiskunut neste saattaa aiheuttaa ärsytystä tai palovammoja.
- e. Vaurioitunutta tai muokattua akkua tai laitetta ei saa käyttää. Vaurioituneissa tai muokatuissa akuissa voi esiintyä odottamattomia häiriöitä, jotka voivat aiheuttaa tulipaloja, räjähdysvaaroja tai henkilövahinkoja.
- f. Akku ja laite tulee suojata tulelta sekä liian korkealta lämpötilalta. Mikäli akku altistuu tulelle tai yli 130 °C lämpötilalle, seurauksena voi olla räjähdys.
- g. Noudata kaikkia latausohjeita, akkua tai laitetta ei saa ladata ohjeissa annettujen lämpötilavälien ulkopuolella. Virheellisen latauksen tai annettujen lämpötilavälien ulkopuolella lataamisen seurauksena akku voi vaurioitua ja tulipalovaara kasvaa.
6. Huolto
- a. **Korjauta sähkötyökalu valtuutetulla asentajalla.** Varaosina on käytettävä vain alkuperäisiä vastaavia osia. Täten taataan sähkötyökalun turvallisuus.
- b. **Vaurioituneita AKKUJA ei saa koskaan huoltaa.** Ainoastaan valmistaja tai valtuutetut huoltoliikkeet saavat huoltaa AKKUJA.

Pistosahojen lisäturvavaroitukset

- **Pitele sähkötyökalua eristetyistä tartuntapinnoista, kun teet työtä, jossa sahan osa voi osua piilossa oleviin sähköjohtoihin.** Leikkaavien varusteiden osuminen jännitteiseen johtoon tekee sen paljaista metalliosista jännitteisiä, joten käyttäjä voi saada sähköiskun.
- **Käytä puristimia tai muuta käytännöllistä tapaa kiinnittää ja tukea työkappale tukevalle alustalle.** Työn pitäminen käsin tai vartaloa vasten on epävakaata ja saattaa johtaa kontrollin menetykseen.
- **Pidä kätesi pois leikkausalueelta.** Älä koskaan työnnä kättä työkappaleen alapuolelle. Älä työnnä sormia liikkuvaan terään tai sen kiinnikkeeseen. Älä tue sahaa pitämällä kiinni sahausjalasta.
- **Pidä terät terävinä.** Tylsät tai vahingoittuneet terät voivat leikata vinoon tai jäädä kiinni. Käytä työstettävään materiaaliin soveltuvaa sahanterää, jolla saat haluamasi sahausjäljen.
- **Jos sahaat putkea tai kotelointia, tarkista ensin, ettei sen sisällä ole vettä, sähköjohtoa, tms.**
- **Älä kosketa terää tai sahattua leikkauspintaa heti sahausksen jälkeen.** Ne voivat olla erittäin kuumia.
- **Varo piilossa olevia vaaroja.** Tarkista sähköjohtojen ja putkien sijainti, ennen kuin sahaat seinää, lattiaa tai kattoa.

- **Terän liike jatkuu vielä hetken käyttökikimen vapauttamisen jälkeen.** Katkaise virta ja odota, että terän liike on kokonaan pysähtynyt ennen kuin lasket koneen käsistäsi.



Varoitus! Leikatessa syntyvän pölyn kanssa kosketuksiin joutuminen tai sen hengittäminen saattaa olla haitallista käyttäjän tai lähellä olijoiden terveydelle. Käytä kasvosuojusta, joka on erityisesti tarkoitettu suojaamaan pölyltä ja höyryiltä, ja varmista, että kaikki työskentelyalueella olevat ja sinne tulevat henkilöt käyttävät suojavarusteita.

- Tarkoitettu käyttö on kuvattu tässä käyttöohjeessa. Käytä työkalua ainoastaan sellaiseen työhön, johon se on tarkoitettu, ja käytä vain käyttöohjeessa ja tuotekuvastossa suositeltuja tarvikkeita ja lisälaitteita. Ohjeesta poikkeava käyttö voi aiheuttaa henkilö- ja/ tai omaisuusvahinkoja.

Muiden henkilöiden turvallisuus

- Tätä työkalua ei ole tarkoitettu sellaisten henkilöiden käyttöön, joilla on fyysisiä tai älyllisiä rajoitteita tai aistirajoitteita, eikä laitteen toimintaan perehtymättömien henkilöiden käyttöön (lapset mukaan luettuina), paitsi valvonnan alaisina, tai jos he ovat saaneet laitteen käyttöön liittyvää opastusta heidän turvallisuudestaan vastaavalta henkilöltä.
- Lapsia tulee valvoa ja varmistaa, että he eivät leiki laitteella.

Jäännösriskit

Jäännösriskkejä voi esiintyä käyttäessä muita kuin varoituksissa mainittuja työkaluja. Riskit voivat johtua väärinkäytöstä, pitkästä käytöstä jne. Turvamääräysten noudattamisesta ja turvalaitteiden käyttämisestä huolimatta tietyt vaaroja ei voida välttää. Näitä ovat:

- pyörivien tai liikkuvien osien koskettamisen aiheuttamat vahingot
- osia, teriä tai lisävarusteita vaihdettaessa aiheutuneet vahingot
- työkalun pitkäaikaisen käytön aiheuttamat vahingot. Pidä säännöllisiä taukoja työkalun pitkäaikaisen käytön aikana.
- Kuulon heikkeneminen.
- työkalua käytettäessä (esimerkiksi puuta, erityisesti tammaa, pyökkiä ja MDF-levyjä, käsiteltäessä) syntyneen pölyn sisäänhengityksen aiheuttamat terveysriskit

Tärinä

Teknisissä tiedoissa ja vaatimustenmukaisuusilmoituksessa ilmoitettu tärinäpäästöarvo on mitattu standardin EN 62841 testausmenetelmän mukaisesti, ja sen avulla voidaan vertailla

työkaluja keskenään. Ilmoitettua tärinän päästöarvoa voidaan käyttää myös alustavassa altistumisen arvioinnissa.



Varoitus! Todellinen tärinän päästöarvo sähkötyökalun käytön aikana voi poiketa ilmoitetusta arvosta työkalun käyttötavasta riippuen. Tärinätasoa voi olla ilmoitettua tasoa suurempi.

Kun tärinälle altistumista arvioidaan direktiivin 2002/44/EY vaatimien turvallisuustoimien määrittämiseksi ja säännöllisesti sähkötyökalua käyttävien käyttäjien suojaamiseksi, tärinän altistumisen arvioinnissa tulee huomioida todelliset käyttöolosuhteet sekä työkalun käyttötapa sekä kaikki käyttöjakson elementit (esim. työkalun sammutusajajat, tyhjäkäyntiajat sekä käynnistymisajat).

Työkalun tarrat

Työkalussa on seuraavat kuvamerkinnot:



Varoitus! Loukkaantumisen riskin vähentämiseksi käyttäjän on luettava tämä käyttöohje.

Akkua ja laturia koskevat lisäturvaohjeet

Akut

- Älä koskaan yritä avata mistään syystä.
- Älä altista akkua vedelle.
- Älä säilytä akkua tiloissa, joissa lämpötila voi nousta yli 40 °C:n.
- Lataa akku paikassa, jonka lämpötila on vähintään 10 °C ja enintään 40 °C.
- Lataa akku ainoastaan työkalun mukana toimitetulla laturilla.
- Noudata akkujen hävittämisen kohdassa Ympäristönsuojelu esitettyjä ohjeita.



Älä koskaan yritä ladata viallisia akkuja.

Laturit

- Käytä Stanley Fat Max -laturia vain laitteen mukana toimitetun akun lataamiseen. Muut akut voivat räjähtää ja aiheuttaa henkilövahinkoja tai aineellisia vahinkoja.
- Älä koskaan yritä ladata akkuja, joita ei ole tarkoitettu ladattaviksi.
- Vaihda vialliset johdot välittömästi ehjiin.
- Älä altista laturia vedelle.
- Älä avaa laturia.
- Älä työnnä mitään laturin sisään.



Laturi on tarkoitettu ainoastaan sisäkäyttöön.



Lue käyttöohjeet huolellisesti ennen laitteen käyttöä.

Sähköturvallisuus



Laturi on kaksoeristetty, joten erillistä maadoitusta ei tarvita. Tarkista aina, että verkkojännite vastaa arvokilvessä ilmoitettua jännitettä. Älä yritä korvata laturiyksikköä tavallisella verkkopistokkeella.

- Jos virtajohto vahingoittuu, sen vaihtaminen on turvallisuussyistä jätettävä valmistajan tai valtuutetun STANLEY FATMAX -huollon tehtäväksi.

Ominaisuudet

Tämä kone sisältää kaikki seuraavat ominaisuudet tai joitakin niistä.

1. Säädettävä nopeuden liipaisukytkin
2. Lukituksen vapautuspainike
3. Sahanterän lukitusvipu
4. Terän kiinnike
5. Jalustalevy
6. Leikkaustoiminnon painike
7. Akku

Käyttö



Varoitus! Anna laitteen käydä ilman kuormitusta. Vältä työkalun ylikuormittamista.

Akun lataaminen (kuva A)

Lataa akku ennen ensimmäistä käyttökertaa ja aina silloin, kun se ei enää tuota riittävästi virtaa toimintoihin, jotka aikaisemmin hoituivat helposti.

Akku voi lämmetä ladattaessa. Tämä on normaalia, eikä se ole merkki mistään viasta.



Varoitus! Älä lataa akkua alle 10 °C tai yli 40 °C asteen lämpötilassa. Suositeltava latauslämpötila on 24 °C.

Huomautus: Laturi ei lataa akkua, jos akun kennon lämpötila on alle 10 °C tai yli 40 °C.




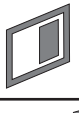


Akku tulee kuitenkin jättää laturiin. Laturi aloittaa lataamisen automaattisesti, kun kennon lämpötila nousee tai laskee riittävästi.

Huomautus: Jotta varmistat litiumioniakkujen parhaimman mahdollisen suorituskyvyn ja pitkän käyttöiän, akku tulee ladata täyteen ennen ensimmäistä käyttöä.

- Yhdistä laturi (8) sopivaan pistorasiaan ennen kuin laitat siihen akun (7).
- Vihreä latauksen merkivalo (8a) vilkkuu jatkuvasti ilmoittaen, että latausprosessi on alkanut.
- Kun lataus on valmis, vihreä latauksen valo (8a) jää palamaan jatkuvasti. Akku (7) on täysin ladattu ja se voidaan poistaa, sitä voidaan käyttää heti tai sen voi jättää laturiin (8).

- Lataa akut viikon kuluessa tyhjentymisestä. Akkujen käyttöikä lyhenee merkittävästi, jos ne jätetään tyhjiksi pitkäksi aikaa.

Laturin LED-tilat

	Lataus käynnissä: Vilkkuva vihreä LED-valo	
	Ladattu täyteen: Pysyvä vihreä LED-valo	
	Akun kuuma-/kylmäviive: Vilkkuva vihreä LED-valo Pysyvä punainen LED-valo	

Huomautus: Yhteensopiva(t) laturi(t) ei(eivät) lataa viallista akkua. Laturi ilmoittaa viallisesta akusta, kun se ei syty.

Huomautus: Tämä voi tarkoittaa myös laturivikaa. Jos laturi ilmoittaa ongelmasta, vie laturi ja akku testattavaksi valtuutettuun huoltopalveluun.

Akun jättäminen laturiin

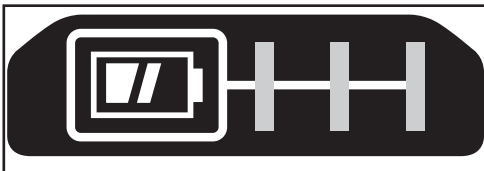
Akku voidaan jättää laturiin, kun merkkivalo palaa. Laturi pitää akun käyttövalmiina ja ladattuna.

Akun kuuma-/kylmäviive

Kun laturi tunnistaa liian kuuman tai kylmän akun, se käynnistää automaattisesti akun kuuma-/kylmäviiveen, vihreä LED-merkkivalo (8a) vilkkuu ja punainen merkkivalo LED (8b) palaa jatkuvasti, jolloin lataus keskeytyy, kunnes akku on saavuttanut oikean lämpötilan. Laturi siirtyy tämän jälkeen automaattisesti akun lataustilaan. Tämä toiminto takaa akun maksimaalisen käyttöiän.

Akun varaustilan merkkivalo (kuva B)

Akussa on varaustilan merkkivalo, joka mahdollistaa akun käyttöajan määrittämisen nopeasti kuvan B mukaisesti. Voit tarkistaa akun jäljellä olevan käyttöajan helposti painamalla varaustilan painiketta (7a) kuvan B mukaisesti.



Akun asentaminen ja poistaminen työkalusta



Varoitus! Varmista ennen akun irrottamista tai asentamista, että lukituspainike on lukitussa asennossa virtakytkimen tahattoman käytön estämiseksi.

Akun asentaminen (kuva C)

- Aseta akku hyvin työkaluun, kunnes kuulet napsahduksen kuvan C mukaisesti. Varmista, että akku on hyvin paikoillaan ja lukittu paikoilleen.

Akun irrotus (kuva C)

- Paina akun vapautuspainiketta (7b) kuvan C mukaisesti ja vedä akku irti työkalusta.

Ripustuskoukku (valinnainen lisävaruste) (kuva D)



Varoitus! Vakavan henkilövahingon vaaran vähentämiseksi aseta suunnanvaihtopainike lukitusasentoon tai katkaise työkalusta virta ja irrota akku ennen säätämistä tai varusteiden irrottamista tai asentamista. Tahaton käynnistyminen aiheuttaa vahingon.



Varoitus! Vakavan henkilövahingon riskin vähentämiseksi tulee varmistaa, että ripustuskoukun kiinnitysruuvi (10) on varmasti kiinni.

Huomautus: Kun kiinnität tai vaihdat ripustuskoukkuja (9), käytä vain mukana toimitettua ruuvia (10). Kiristä ruuvi huolellisesti.

Jos koukkuja ei haluta lainkaan, sen voi irrottaa työkalusta. Irrota ripustuskoukku poistamalla ruuvi (10), joka pitää ripustuskoukun (9) paikallaan.

Huomautus: Saatavilla on erilaisia kiskojärjestelmän koukkuja ja säilytysratkaisuja.

Lisätietoa on saatavilla verkkosivuillamme osoitteessa www.stanleytools.eu/3.

Asennus



Varoitus! Varmista ennen kokoamista, että akku on poistettu työkalusta ja että sahanterä on pysähtynyt. Käytössä olleet sahanterät voivat olla kuumia.

Sahanterän asennus ja poisto (kuva E)

- Pidä sahanterää (11) hampaat eteenpäin.
- Paina sahanterän lukitusvipua (3) alaspäin.
- Työnnä terän varsi kokonaan terän kiinnityslaippaan (4) loppuun saakka.
- Vapauta vipu.
- Poista sahanterä (11) painamalla sahanterän lukitusvipua (3) alaspäin ja vetämällä terä ulos.



Varoitus! Terä voi kuumentua käytön jälkeen. Käytä aina suojäkäsineitä, kun irrotat terää.

Käynnistys ja pysäytys (kuva F)

- Käynnistä työkalu liu'uttamalla lukituskytkintä (2) vasemmalle ja vetämällä sitten nopeudensäädön liipaisinkytkintä (1) ja pitämällä sen vedettynä.
- Sammuta laite vapauttamalla liipaisinkytkin (1).



Varoitus! Älä käynnistä tai pysäytä työkalua sen ollessa kuormitettuna.



Varoitus! Työnnä lukituskytkin (2) oikealle lukitusasentoon aina, kun työkalu ei ole käytössä.

Nopeudensäätö

Nopeussäätöisen virtakytkimen avulla voit valita nopeuden useista vaihtoehdoista ja siten parantaa merkittävästi eri materiaalien leikkaustulosta.

- Työkalun nopeus määräytyy sen mukaan, miten pitkälle liipaisinkytkintä (1) vedetään ulos.

Viisteleikkaus (kuvat G, H & I)

Jalustalevy voidaan kääntää vasempaan tai oikeaan 45° viistoon kulmaan.

Voit säätää viistosahauskulmaa seuraavasti:

- Avaa jalustalevyn (5) lukitus löysäämällä kiinnityspulttia (12) koneen mukana toimitetulla kuusioavaimella.
- Liu'uta jalustalevyä (5) eteenpäin, kunnes se vapautuu 0°:n säpistä.
- Kierrä jalustalevy haluttuun viistosahauskulmaan (kuva H).
- Liu'uta jalustalevyä taaksepäin, kunnes se kiinnittyy vasemman- tai oikeanpuoleiseen säppiin.
- Lukitse jalustalevy (5) haluttuun asentoon kiristämällä kiinnityspulttia (12) koneen mukana toimitetulla kuusioavaimella.

Huomautus: Sahausjalkaa voidaan kallistaa vasemmalle tai oikealle, ja siinä on säppi 45°:n kohdalla.

Leikkaustoiminto (kuva J)

Tässä pistosahassa on kolme leikkaustoimintoa, joista kaksi on kehäliikkeistä ja yksi suora. Kiertoleikkauksessa on voimakkaampi terän liike ja se on tarkoitettu pehmeiden materiaalien, kuten puun tai muovin, leikkaamiseen. Kiertotoiminto leikkaa nopeammin, mutta leikkaustulos ei ole yhtä tasainen. Kiertotoiminnossa terä liikkuu eteenpäin leikkauksikäyksen aikana ylä- ja alaliikkeen lisäksi.



Varoitus! Metallia tai kovaa puuta ei saa koskaan leikata kiertotoiminnolla.

- Liu'uta leikkaustoiminnon painiketta (6) johonkin kolmesta leikkausasennosta, jotka ovat 0, 1 ja 2.
- Asento 0 on tarkoitettu suoraan sahaukseen.
- Asennot 1 ja 2 on tarkoitettu kehäliikesahaukseen.

- Leikkauksen aggressiivisuus lisääntyy sitä mukaa, kun vipua siirretään asennosta 1 asentoon 2. Pistosaha leikkaa aggressiivisimmin asennossa 2.

Sahaus

- Pitele työkalua aina kahdella kädellä.
- Anna terän liikkua vapaasti muutaman sekunnin ajan ennen kuin aloitat sahaamisen.
- Paina työkalua vain kevyesti, kun sahaat.
- Paina jalustalevyä (5) työkappaleta vasten sahatessasi, jos se on mahdollista. Tämä parantaa työkalun hallintaa ja vähentää sen värinää. Lisäksi se estää terää vaurioitumasta.

Vinkkejä optimaaliseen käyttöön Yleistä

- Saha puuta suurimmalla nopeudella, alumiinia ja PVC:tä keskinopeudella ja muita metalleja hitaalla nopeudella.

Laminaattien sahaaminen

Koska sahanterä leikkaa ylöspäin suuntautuvalla vedolla, jalustalevyn puolella oleva pinta voi säilytyä.

- Käytä pienihampaista sahanterää.
- Sahaa työkappaleta taustapuolelta.
- Minimoi säilytymisen puristamalla palat hukkapuuta tai kovalevyä työkappaleen molemmille puolille ja sahaa kaikkien kerrosten läpi.

Metallin sahaaminen

Ota huomioon, että metallin sahaaminen kestää pitempään kuin puun.

- Käytä metallin sahaamiseen sopivaa sahanterää. Käytä hienohampaista sahanterää, kun sahaat rautapitoisia metalleja. Käytä karkeampaa sahanterää, kun sahaat muita metalleja.
- Kun sahaat ohutta metalliarkkia, purista palat hukkapuuta työkappaleen molemmille puolille ja sahaa kaikkien kerrosten läpi.
- Levitä ohut kerros öljyä aiotulle sahauslinjalle.

Lisävarusteet

Työkalun suorituskyky riippuu käytetyistä lisävarusteista. Korkealaatuiset STANLEY FATMAX -lisävarusteet on suunniteltu parantamaan työkalun suorituskykyä. Käyttämällä näitä lisävarusteita saat sahatasi parhaan hyödyn. Tämä työkalu sopii sekä U- että T-vartisille sahanterille.

Huolto

Tämä työkalu on suunniteltu toimimaan mahdollisimman pitkän aikaa mahdollisimman vähällä huollolla. Oikea käsittely ja säännöllinen puhdistus varmistavat laitteen ongelmattoman toiminnan.



Varoitus! Katkaise koneesta virta ja irrota virtajohto pistorasiasta aina ennen huoltotoimenpiteitä.

- Puhdista sahan ja laturin ilma-aukot säännöllisesti pehmeällä harjalla tai kuivalla kangasliinalla.
- Puhdista moottorikotelo säännöllisesti kostealla liinalla. Älä käytä hiovia tai liuotinpohjaisia puhdistusaineita.
- Tiputa ajoittain tippa öljyä terän vastinrullan akselille.

Ympäristön suojeleminen



Toimita tämä laite kierrätykseen. Tällä symbolilla merkityjä tuotteita ja akkuja/paristoja ei saa hävittää normaalin kotitalousjätteen mukana.

Tuotteissa ja akuissa on materiaaleja, jotka voidaan kerätä tai kierrättää uudelleen käyttöä varten.

Kierrätä sähkölaitteet ja akut paikallisten määräyksien mukaisesti. Lisätietoa on saatavilla osoitteessa

www.2helpU.com

Tekniset tiedot

		SFMC600 (H1)
Jännite	V_{DC}	18
Kuormittamaton nopeus	min^{-1}	0 - 2500
Iskun pituus	mm	19
Suurin sahausvyvyys		
Puu	mm	55
Teräs	mm	8
Alumiini	mm	20
Paino	kg	2,62

Laturi		SFMCB11	SFMCB12	SFMCB14
Tulojännite	V_{AC}	230	230	230
Lähtöjännite	V_{DC}	18	18	18
Virta	A	1,25	2	4

Akku		SFMCB201	SFMCB202	SFMCB204	SFMCB206
Jännite	V_{DC}	18	18	18	18
Teho	Ah	1,5	2,0	4,0	6,0
Tyyppi		Litiumioni	Litiumioni	Litiumioni	Litiumioni

Äänenpainetaso mitattuna EN62841:n mukaisesti:

Äänenpaine (L_{pA}) 82 dB(A), epävarmuus (K) 5 dB(A)

Ääniteho (L_{WA}) 93 dB(A), epävarmuus (K) 5 dB(A)

Tärinän kokonaisarvot (vektorisumma), määritetty standardin EN62841 mukaan:

Leikattaessa puulevyjä ($a_{h,B}$) 4,9 m/s^2 , epävarmuus (K) 1,5 m/s^2

Leikattaessa metallilevyjä ($a_{h,M}$) 8,8 m/s^2 , epävarmuus (K) 1,5 m/s^2

EU-vaatimusten mukaisuusvakuutus

KONEDIREKTIIVI



Johdoton pistosaha - SFMCS600

Stanley Europe vakuuttaa, että nämä tuotteet täyttävät seuraavat määräykset: 2006/42/EY, EN62841-1:2015, EN62841-2-11:2016

Nämä tuotteet täyttävät myös direktiivien 2014/30/EY ja 2011/65/EY vaatimukset. Saat lisätietoja ottamalla yhteyden Stanley Europeen. Osoitteet näkyvät käyttöohjeen takasivulla.

Allekirjoittaja vastaa teknisistä tiedoista ja antaa tämän vakuutuksen Stanley European puolesta.

A.P. Smith

Teknisen osaston johtaja

STANLEY FATMAX Europe, Egide Walschaertsstraat14-18,
2800 Mechelen, Belgia
2019-10-22

Takuu

STANLEY FATMAX on vakuuttunut tuotteidensa korkeasta laadusta ja tarjoaa kuluttajille 12 kuukauden takuun, joka astuu voimaan ostopäivänä. Kyseinen takuu ei heikennä mitenkään lakisääteisiä oikeuksia, se ainoastaan täydentää niitä. Tämä takuu on voimassa kaikissa EU- ja ETA-maissa. Edellytyksenä takuun saamiselle on, että vaade täyttää STANLEY FATMAX -ehdot ja että ostaja toimittaa ostotositteen jälleenmyyjälle tai valtuutetulle huoltoliikkeelle. STANLEY FATMAX 1 vuoden takuun ehdot ja lähimmän valtuutetun korjauspalvelun yhteystiedot ovat saatavilla osoitteessa www.2helpU.com tai ottamalla yhteyttä paikalliseen STANLEY FATMAX -toimipisteeseen tässä ohjekirjassa ilmoitettuihin osoitteisiin. Käy verkkosivuillemme osoitteessa www.stanleytools.eu/3 ja rekisteröi uusi STANLEY FATMAX -tuotteesi saadaksesi tietoa uusista tuotteista ja erikoistarjouksista.

Προβλεπόμενη χρήση

Η σέγα Stanley Fat Max έχει σχεδιαστεί για το πρόνισμα ξύλου, πλαστικών και ελασμάτων μετάλλου. Αυτό το εργαλείο προορίζεται για επαγγελματική και ιδιωτική, μη επαγγελματική χρήση.

Οδηγίες ασφαλείας**Γενικές προειδοποιήσεις ασφαλείας για ηλεκτρικά εργαλεία**

Προειδοποίηση! Διαβάστε όλες τις προειδοποιήσεις ασφαλείας, τις οδηγίες, τις απεικονίσεις και τις προδιαγραφές που συνοδεύουν αυτό το ηλεκτρικό εργαλείο. Η μη τήρηση των προειδοποιήσεων και των οδηγιών που αναφέρονται παρακάτω μπορεί να έχει ως αποτέλεσμα ηλεκτροπληξία, πυρκαγιά και/ή σοβαρή σωματική βλάβη.

Φυλάξτε όλες τις προειδοποιήσεις και τις οδηγίες για μελλοντική αναφορά. Ο όρος "ηλεκτρικό εργαλείο" που χρησιμοποιείται σε όλες τις παρακάτω προειδοποιήσεις, αναφέρεται είτε σε εργαλείο που λειτουργεί με ρεύμα δικτύου (ρεύματος - με καλώδιο) είτε σε εργαλείο που λειτουργεί με μπαταρία (μπαταρίας - χωρίς καλώδιο).

1. Ασφάλεια χώρου εργασίας

- α) Διατηρείτε το χώρο εργασίας καθαρό και καλά φωτισμένο.** Οι μη τακτοποιημένοι ή σκοτεινοί χώροι, αποτελούν αιτία ατυχημάτων.
- β) Μη λειτουργείτε τα ηλεκτρικά εργαλεία σε εκρηκτικές ατμόσφαιρες, όπως όταν υπάρχουν εύφλεκτα υγρά, αέρια ή σκόνη.** Τα ηλεκτρικά εργαλεία δημιουργούν σπινθήρες που μπορούν να προκαλέσουν ανάφλεξη στη σκόνη ή τις αναθυμιάσεις.
- γ) Απομακρύνετε τα παιδιά και άλλα παρευρισκόμενα άτομα όταν χρησιμοποιείτε ένα ηλεκτρικό εργαλείο.** Η απόσπαση της προσοχής σας μπορεί να έχει ως αποτέλεσμα την απώλεια ελέγχου.

2. Ηλεκτρική ασφάλεια

- α) Τα βύσματα των ηλεκτρικών εργαλείων πρέπει να ταιριάζουν με τις πρίζες. Μη τροποποιείτε ποτέ το βύσμα με οποιονδήποτε τρόπο. Μη χρησιμοποιείτε τυχόν βύσματα προσαρμογέα με γειωμένα (με γείωση εδάφους) ηλεκτρικά εργαλεία. Με μη τροποποιημένα βύσματα και κατάλληλες πρίζες ελαττώνεται ο κίνδυνος ηλεκτροπληξίας.**
- β) Αποφεύγετε την επαφή του σώματός σας με γειωμένες επιφάνειες όπως σωλήνες, καλοριφέρ, εστίες κουζίνας και ψυγεία. Ο κίνδυνος ηλεκτροπληξίας αυξάνεται όταν το σώμα σας είναι γειωμένο.**

- γ) Μην εκθέτετε τα ηλεκτρικά εργαλεία στη βροχή ή σε συνθήκες υγρασίας. Η είσοδος νερού σε ηλεκτρικό εργαλείο αυξάνει τον κίνδυνο ηλεκτροπληξίας.
- δ) Μην καταπονείτε υπερβολικά το καλώδιο. Μη χρησιμοποιείτε ποτέ το καλώδιο για τη μεταφορά, το τράβηγμα ή την αποσύνδεση του ηλεκτρικού εργαλείου. Κρατήστε το καλώδιο μακριά από θερμότητα, λάδι, αιχμηρές ακμές και κινούμενα μέρη. Καλώδια που έχουν υποστεί ζημιά ή περιπλεγμένα καλώδια αυξάνουν τον κίνδυνο ηλεκτροπληξίας.
- ε) Όταν χρησιμοποιείτε ένα ηλεκτρικό εργαλείο σε εξωτερικό χώρο, να χρησιμοποιείτε μόνο καλώδια προέκτασης που είναι κατάλληλα για χρήση σε εξωτερικό χώρο. Η χρήση καλωδίου κατάλληλου για χρήση σε εξωτερικό χώρο ελαττώνει τον κίνδυνο ηλεκτροπληξίας.
- στ) Εάν είναι αναπόφευκτη η λειτουργία ηλεκτρικού εργαλείου σε χώρο με υψηλή υγρασία, χρησιμοποιήστε παροχή ηλεκτροδότησης με προστασία από ρεύματα διαρροής (RCD). Η χρήση μιας διάταξης RCD ελαττώνει τον κίνδυνο ηλεκτροπληξίας.
3. Προσωπική ασφάλεια
- α) Παραμείνετε σε εγρήγορση, προσέχετε τι κάνετε και χρησιμοποιείτε την κοινή λογική κατά τη χρήση ενός ηλεκτρικού εργαλείου. Μη χρησιμοποιείτε οποιοδήποτε ηλεκτρικό εργαλείο εάν είστε κουρασμένος(-η) ή υπό την επίρρεια ναρκωτικών, αλκοόλ ή φαρμακευτικής αγωγής. Μια μόνο στιγμή απόσπασης της προσοχής σας καθώς χειρίζεστε ηλεκτρικά εργαλεία, μπορεί να προκαλέσει σοβαρό προσωπικό τραυματισμό.
- β) Χρησιμοποιείτε ατομικό προστατευτικό εξοπλισμό. Να φοράτε πάντοτε προστατευτικά γυαλιά. Η χρήση προστατευτικού εξοπλισμού όπως μάσκας για τη σκόνη, αντιβιοηθικών υποδημάτων, κράνους ή προστατευτικών ακουστικών για τις ανάλογες συνθήκες, θα ελαττώσει τους προσωπικούς τραυματισμούς.
- γ) Αποτρέψτε τυχόν ακούσια εκκίνηση του εργαλείου. Βεβαιωθείτε ότι ο διακόπτης βρίσκεται στη θέση Off προτού συνδέσετε το εργαλείο στην πρίζα ή/και στην μπαταρία, καθώς και προτού σηκώσετε ή μεταφέρετε το εργαλείο. Η μεταφορά ηλεκτρικών εργαλείων με το δάκτυλό σας στο διακόπτη ή η σύνδεση στην πρίζα εργαλείων με το διακόπτη στη θέση On ενέχουν κίνδυνο ατυχήματος.
- δ) Αφαιρέστε οποιοδήποτε κλειδί ή ρυθμιστικό κλειδί προτού ενεργοποιήσετε το ηλεκτρικό εργαλείο. Ένα κλειδί ή ρυθμιστικό κλειδί που έχει αφαιρεθεί προσαρτημένο σε κινητό τμήμα του ηλεκτρικού εργαλείου, μπορεί να προκαλέσει προσωπικό τραυματισμό.
- ε) Μην προσπαθήσετε να φτάσετε απομακρυσμένα σημεία. Φροντίστε να έχετε πάντοτε την κατάλληλη στάση και να διατηρήσετε την ισορροπία σας. Κατ' αυτόν τον τρόπο θα έχετε καλύτερο έλεγχο του εργαλείου σε απροσδόκητες καταστάσεις.
- ζ) Να είστε ντυμένοι κατάλληλα. Μην φοράτε φαρδιά ενδύματα ή κοσμήματα. Κρατάτε τα μαλλιά και τα ρούχα σας μακριά από κινούμενα μέρη. Τα φαρδιά ενδύματα, τα κοσμήματα ή τα μακριά μαλλιά μπορεί να εμπλακούν στα κινούμενα μέρη.
- η) Εάν οι συσκευές παρέχονται με σύνδεση συστημάτων αφαίρεσης και συλλογής σκόνης, φροντίστε τα συστήματα αυτά να είναι συνδεδεμένα και να χρησιμοποιούνται κατάλληλα. Η χρήση συστήματος συλλογής σκόνης μπορεί να ελαττώσει τους κινδύνους που σχετίζονται με τη σκόνη.
- θ) Μην αφήνετε την εξοικείωση που έχετε αποκτήσει από τη συχνή χρήση εργαλείων να σας επιτρέψει να εφησυχάσετε και να αγνοείτε τις αρχές ασφαλούς χρήσης των εργαλείων. Μια απρόσεκτη ενέργεια μπορεί να προκαλέσει βαρύ τραυματισμό μέσα σε κλάσματα του δευτερολέπτου.
4. Χρήση και φροντίδα των ηλεκτρικών εργαλείων
- α) Μη ζορίζετε το ηλεκτρικό εργαλείο. Χρησιμοποιείτε το κατάλληλο εργαλείο ανάλογα με την εφαρμογή. Η εργασία θα πραγματοποιηθεί με καλύτερο και πιο ασφαλή τρόπο όταν εκτελείται από το σωστά επιλεγμένο ηλεκτρικό εργαλείο με τον προβλεπόμενο ρυθμό.
- β) Μη χρησιμοποιείτε το εργαλείο εάν ο διακόπτης δεν μεταβαίνει στις θέσεις On (Ενεργοποίηση) και Off (Απενεργοποίηση). Οποιοδήποτε εργαλείο δεν μπορεί να ελεγχθεί μέσω του διακόπτη του, είναι επικίνδυνο και πρέπει να επισκευαστεί.
- γ) Αποσυνδέστε το φως από την πηγή ρεύματος και/ή το πακέτο μπαταρίας, αν είναι αποσπώμενο, από το ηλεκτρικό εργαλείο, πριν διεξάγετε οποιαδήποτε ρύθμιση, αλλαγή εξαρτήματος ή όταν πρόκειται να αποθηκεύσετε το ηλεκτρικό εργαλείο. Αυτού του είδους τα μέτρα ασφαλείας ελαττώνουν τον κίνδυνο τυχαίας θέσης σε λειτουργία του ηλεκτρικού εργαλείου.
- δ) Αποθηκεύετε τα ηλεκτρικά εργαλεία που δεν χρησιμοποιείτε μακριά από μέρη όπου μπορούν να τα προσεγγίσουν παιδιά και μην επιτρέψετε τη χρήση του ηλεκτρικού εργαλείου από άτομα που δεν είναι εξοικειωμένα με αυτό ή με τις οδηγίες χρήσης του. Τα ηλεκτρικά εργαλεία είναι επικίνδυνα όταν χρησιμοποιούνται από μη εκπαιδευμένους χειριστές.
- ε) Συντηρείτε τα ηλεκτρικά εργαλεία και τα αξεσουάρ. Ελέγξτε για τυχόν εσφαλμένη ευθυγράμμιση ή ενσφήνωση κινούμενων μερών, για τυχόν θραύση εξαρτημάτων και για τυχόν άλλες καταστάσεις που μπορεί να επηρεάσουν τη λειτουργία του ηλεκτρικού

εργαλείου. Εάν το ηλεκτρικό εργαλείο έχει υποστεί ζημιά, φροντίστε για την επισκευή του πριν το χρησιμοποιήσετε. Πολλά ατυχήματα έχουν προκληθεί από ηλεκτρικά εργαλεία που δεν έχουν συντηρηθεί κατάλληλα.

- ζ) Διατηρείτε τα εργαλεία κοπής αιχμηρά και καθαρά. Τα κατάλληλα συντηρημένα εργαλεία κοπής με αιχμηρά άκρα κοπής έχουν μικρότερες πιθανότητες λυγίσματος κατά τη λειτουργία και ελέγχονται ευκολότερα.
- η) Χρησιμοποιείτε το ηλεκτρικό εργαλείο, τα παρελκόμενα και τα τρυπάνια κ.λπ. σύμφωνα με τις παρούσες οδηγίες, λαμβάνοντας υπόψη τις συνθήκες εργασίας και την εργασία που πρόκειται να πραγματοποιηθεί. Η χρήση ενός ηλεκτρικού εργαλείου για εργασίες διαφορετικές από αυτές για τις οποίες προορίζεται, μπορεί να οδηγήσει σε επικίνδυνη κατάσταση.
- θ) Διατηρείτε τις λαβές και τις επιφάνειες κρατήματος στεγνές, καθαρές και απαλλαγμένες από λάδι και γράσο. Οι ολισθηρές λαβές και επιφάνειες κρατήματος δεν επιτρέπουν τον ασφαλή χειρισμό και έλεγχο του εργαλείου σε μη αναμενόμενες καταστάσεις.
5. Χρήση και φροντίδα των εργαλείων με μπαταρία
- α) Επαναφορτίζετε μόνο με το φορτιστή που καθορίζεται από τον κατασκευαστή. Φορτιστής που είναι κατάλληλος για έναν τύπο μπαταριών, μπορεί να ενέχει κίνδυνο πυρκαγιάς όταν χρησιμοποιείται με άλλο τύπο μπαταριών.
- β) Χρησιμοποιείτε τα ηλεκτρικά εργαλεία μόνο με τις ειδικά καθορισμένες μπαταρίες. Η χρήση μπαταριών άλλου τύπου ενέχει κίνδυνο τραυματισμού και πυρκαγιάς.
- γ) Όταν η μπαταρία δεν χρησιμοποιείται, διατηρείτε την μακριά από άλλα μεταλλικά αντικείμενα, όπως συνδετήρες, νομίσματα, κλειδιά, καρφιά, βίδες ή άλλα μικρά μεταλλικά αντικείμενα που μπορεί να προκαλέσουν ηλεκτρική επαφή μεταξύ των δύο ακροδεκτών της μπαταρίας. Η βραχυκύκλωση των ακροδεκτών της μπαταρίας μπορεί να προκαλέσει εγκαύματα ή και πυρκαγιά.
- δ) Κάτω από συνθήκες κακομεταχείρισης, μπορεί να εκτοξευτεί υγρό από τη μπαταρία. Αποφύγετε την επαφή με το υγρό αυτό. Εάν έλθετε σε επαφή κατά λάθος, ξεπλύνετε με άφθονο νερό. Σε περίπτωση που το υγρό έλθει σε επαφή με τα μάτια σας, ζητήστε ιατρική βοήθεια. Το υγρό που εκτοξεύεται από τη μπαταρία μπορεί να προκαλέσει ερεθισμούς ή εγκαύματα.
- ε) Μη χρησιμοποιήσετε πακέτο μπαταρίας ή εργαλείο που έχει υποστεί ζημιά ή τροποποίηση. Οι μπαταρίες που έχουν υποστεί ζημιά ή τροποποίηση μπορεί να έχουν απρόβλεπτη συμπεριφορά, με αποτέλεσμα φωτιά, έκρηξη ή κίνδυνο τραυματισμού.

- ζ) Μην εκθέσετε ένα πακέτο μπαταρίας ή εργαλείο σε φωτιά ή υπερβολική θερμοκρασία. Η έκθεση σε φωτιά ή σε θερμοκρασία πάνω από 130 °C μπορεί να προκαλέσει έκρηξη.
- η) Τηρείτε όλες τις οδηγίες φόρτισης και μη φορτίζετε το πακέτο μπαταρίας ή το εργαλείο εκτός των ορίων θερμοκρασίας που ορίζονται στις προδιαγραφές. Η ακατάλληλη φόρτιση ή η φόρτιση σε θερμοκρασίες εκτός των προβλεπόμενων ορίων μπορεί να προξενήσει ζημιά στην μπαταρία και να αυξήσει τον κίνδυνο φωτιάς.

6. Συντήρηση (Σέρβις)

α) Φροντίζετε η συντήρηση του ηλεκτρικού εργαλείου να πραγματοποιείται από πιστοποιημένο για επισκευές ανταλλακτικών. Κατ' αυτό τον τρόπο εξασφαλίζεται η ασφάλεια του ηλεκτρικού εργαλείου.

β) Ποτέ μην κάνετε σέρβις σε πακέτα ΜΠΑΤΑΡΙΩΝ που έχουν υποστεί ζημιά. Το σέρβις των πακέτων ΜΠΑΤΑΡΙΩΝ πρέπει να γίνεται μόνο από τον κατασκευαστή ή από εξουσιοδοτημένους παρόχους σέρβις.

Συμπληρωματικές προειδοποιήσεις ασφαλείας για σέγες και σπαθοσέγες

- Κρατάτε το ηλεκτρικό εργαλείο από τις μονωμένες επιφάνειες συγκράτησης όταν εκτελείτε κάποια εργασία κατά την οποία το αξεσουάρ κοπής μπορεί να έρθει σε επαφή με αθέατα καλώδια. Αν αξεσουάρ κοπής έρθει σε επαφή με καλώδιο υπό τάση, μπορεί να τεθούν υπό ηλεκτρική τάση και τα εκτεθειμένα μεταλλικά μέρη του ηλεκτρικού εργαλείου και να προκληθεί ηλεκτροπληξία στο χειριστή.
- Χρησιμοποιείτε σφιγκτήρες ή άλλο πρακτικό τρόπο για να στερεώνετε και να στηρίζετε το αντικείμενο εργασίας σε σταθερό υπόβαθρο. Αν κρατάτε το αντικείμενο εργασίας με το χέρι σας ή κόντρα στο σώμα σας, αυτό δεν είναι σταθερό και μπορεί να προκληθεί απώλεια ελέγχου.
- Κρατάτε τα χέρια σας μακριά από την περιοχή κοπής. Ποτέ μην πλησιάζετε τα χέρια σας κάτω από το αντικείμενο εργασίας, για κανένα λόγο. Μην πλησιάζετε τα δάχτυλα ή τον αντίχειρά σας κοντά στην παλινδρομική λεπίδα και τον σφιγκτήρα λεπίδας. Μη σταθεροποιείτε το πριόνι κρατώντας το από το πέδιλο.
- Διατηρείτε τις λεπίδες αιχμηρές. Οι λεπίδες που είναι στομαμμένες ή έχουν υποστεί ζημιά μπορεί να προκαλέσουν παρέκκλιση του πριονιού ή διακοπή της λειτουργίας του υπό πίεση. Χρησιμοποιείτε πάντα τον κατάλληλο τύπο λεπίδας πριονιού ανάλογα το υλικό του αντικείμενου εργασίας και τον τύπο κοπής.

- Όταν κόβετε σωλήνες ή αγωγούς βεβαιωθείτε ότι δεν περιέχουν νερό, ηλεκτρικές καλωδιώσεις, κλπ.
- Μην αγγίζετε το αντικείμενο εργασίας ή τη λεπίδα αμέσως μετά τη χρήση του εργαλείου. Μπορούν να αποκτήσουν υψηλή θερμοκρασία.
- Προσέχετε τους κρυφούς κινδύνους και, πριν από την κοπή τοίχων, δαπέδων ή ταβανιών, ελέγχετε για τυχόν διερχόμενα καλώδια και σωλήνες.
- Η Λεπίδα συνεχίζει να κινείται και μετά την απασφάλιση του διακόπτη. Απενεργοποιείτε πάντα το εργαλείο και περιμένετε να σταματήσει εντελώς η λεπίδα πριν ούλι προτού ακουμπήσετε κάτω το εργαλείο.



Προειδοποίηση! Η επαφή με τη σκόνη ή η εισπνοή της σκόνης που δημιουργούν οι εφαρμογές κοπής μπορεί να φέρουν κίνδυνο για την υγεία του χειριστή και των ατόμων που ενδεχομένως παρευρίσκονται. Φορέστε μάσκα σκόνης ειδικά σχεδιασμένη για προστασία έναντι της σκόνης και των αναθυμιάσεων και βεβαιωθείτε ότι τα άτομα που βρίσκονται ή εισέρχονται στο χώρο εργασίας είναι επίσης προστατευμένα.

- Η προβλεπόμενη χρήση περιγράφεται στο παρόν εγχειρίδιο οδηγιών. Η χρήση οποιοδήποτε αξεσουάρ ή προσαρτήματος ή η εκτέλεση με αυτό το εργαλείο οποιασδήποτε άλλης εργασίας πέραν από αυτές που συνιστώνται στο παρόν εγχειρίδιο οδηγιών ενδέχεται να εγκυμονεί κίνδυνο τραυματισμού και/ή υλικών ζημιών.

Ασφάλεια τρίτων

- Αυτό το εργαλείο δεν προορίζεται για χρήση από άτομα (στα οποία περιλαμβάνονται και τα παιδιά) με μειωμένες φυσικές, αντιληπτικές ή διανοητικές ικανότητες ή άτομα χωρίς εμπειρία και γνώσεις, παρά μόνο εφόσον επιτηρούνται ή τους έχουν δοθεί οδηγίες σχετικά με τη χρήση του εργαλείου από άτομο υπεύθυνο για την ασφάλεια τους.
- Τα παιδιά πρέπει να επιτηρούνται για να διασφαλίζεται ότι δεν παίζουν με το εργαλείο.

Υπολειπόμενοι κίνδυνοι.

Κατά τη χρήση του εργαλείου μπορεί να δημιουργηθούν επιπρόσθετοι υπολειπόμενοι κίνδυνοι, οι οποίοι ενδέχεται να μη συμπεριλαμβάνονται στις προειδοποιήσεις ασφαλείας που εσωκλείονται. Αυτοί οι κίνδυνοι μπορεί να προκληθούν από κακή χρήση, παρατεταμένη χρήση κλπ. Παρά την εφαρμογή των σχετικών κανονισμών ασφαλείας και τη χρήση διατάξεων ασφαλείας, ορισμένοι υπολειπόμενοι κίνδυνοι δεν είναι δυνατό να αποφευχθούν. Σ' αυτούς περιλαμβάνονται:

- Τραυματισμοί από επαφή με οποιαδήποτε περιστρεφόμενα/κινούμενα μέρη.

- Τραυματισμοί κατά την αλλαγή οποιουδήποτε εξαρτημάτων, λεπίδων ή αξεσουάρ.
- Σωματικές βλάβες από παρατεταμένη χρήση εργαλείου. Όταν χρησιμοποιείτε οποιοδήποτε εργαλείο για παρατεταμένα χρονικά διαστήματα, να μην παραλείπεται με κανένα τρόπο να κάνετε τακτικά διαλείμματα.
- Βλάβη της ακοής.
- Κίνδυνοι στην υγεία που προκαλούνται από την εισπνοή σκόνης όταν χρησιμοποιείτε το εργαλείο (παράδειγμα:- όταν επεξεργάζεστε ξύλο, ειδικά δρυς, οξιά και MDF.)

Κραδασμοί

Η δηλωμένη τιμή εκπομπής δόνησης που αναφέρεται στα τεχνικά χαρακτηριστικά και τη δήλωση συμμόρφωσης έχει μετρηθεί σύμφωνα με μια τυποποιημένη μέθοδο δοκιμής που παρέχεται από το πρότυπο EN 62841 και μπορεί να χρησιμοποιηθεί για τη σύγκριση ενός εργαλείου με ένα άλλο. Η δηλωμένη τιμή εκπομπής κραδασμών μπορεί επίσης να χρησιμοποιηθεί σε έναν προκαταρκτικό προσδιορισμό της έκθεσης σε κραδασμούς.



Προειδοποίηση! Η τιμή εκπομπής κραδασμών κατά την πραγματική χρήση του ηλεκτρικού εργαλείου μπορεί να διαφέρει από τη δηλωμένη τιμή, ανάλογα με τον τρόπο που χρησιμοποιείται το εργαλείο. Το επίπεδο κραδασμών μπορεί να αυξηθεί πάνω από το επίπεδο που έχει δηλωθεί.

Κατά τον προσδιορισμό της έκθεσης σε κραδασμούς για τον καθορισμό των απαιτούμενων μέτρων ασφαλείας σύμφωνα με την οδηγία 2002/44/EK για την προστασία προσώπων που χρησιμοποιούν συχνά ηλεκτρικά εργαλεία στην εργασία τους, μια προσεγγιστική εκτίμηση της έκθεσης σε κραδασμούς πρέπει να λαμβάνει υπόψη τις πραγματικές συνθήκες χρήσης και τον τρόπο χρήσης του εργαλείου, συμπεριλαμβανομένων και όλων των επιμέρους τμημάτων του κύκλου εργασίας, όπως πόσες φορές τέθηκε το εργαλείο εκτός λειτουργίας, πότε είναι σε λειτουργία χωρίς φορτίο, επιπλέον του χρόνου πίεσης της σκανδάλης.

Ετικέτες πάνω στο εργαλείο

Τα ακόλουθα σύμβολα εμφανίζονται στο εργαλείο:



Προειδοποίηση! Για να μειωθεί ο κίνδυνος τραυματισμού, ο χρήστης πρέπει να διαβάσει το εγχειρίδιο οδηγιών.

Συμπληρωματικές οδηγίες ασφαλείας για τις μπαταρίες και τους φορτιστές

Μπαταρίες

- Ποτέ μην επιχειρήσετε να ανοίξετε το προϊόν για κανένα λόγο.

- Μην εκθέτετε την μπαταρία σε νερό.
- Μην φυλάσσετε τις μπαταρίες σε μέρη όπου η θερμοκρασία μπορεί να υπερβεί τους 40 °C.
- Η φόρτιση πρέπει να γίνεται μόνο σε θερμοκρασίες περιβάλλοντος μεταξύ 10 °C και 40 °C.
- Να φορτίζετε μόνο με τη χρήση του φορτιστή που παρέχεται με το εργαλείο.
- Όταν απορρίπτετε τις μπαταρίες, ακολουθήστε τις οδηγίες που δίνονται στην ενότητα "Προστασία του περιβάλλοντος".



Μην επιχειρήσετε να φορτίσετε κατεστραμμένες μπαταρίες.

4. Σφιγκτήρας λεπίδας πριονιού
5. Πλάκα πέδιλου
6. Κουμπί λειτουργίας κοπής
7. Μπαταρία

Χρήση



Προειδοποίηση! Αφήστε το εργαλείο να λειτουργήσει με το δικό του ρυθμό. Μην το υπερφορτώνετε.

Φόρτιση της μπαταρίας (Εικ. Α)

Η μπαταρία πρέπει να φορτίζεται πριν από την πρώτη χρήση και όποτε αδυνατεί να παρέχει επαρκή ισχύ σε εργασίες που παλιά ήταν εύκολη η εκτέλεσή τους.

Η μπαταρία μπορεί να θερμαίνεται κατά τη φόρτιση. Κάτι τέτοιο είναι φυσιολογικό και δεν υποδηλώνει πρόβλημα.



Προειδοποίηση! Μη φορτίζετε την μπαταρία σε θερμοκρασίες περιβάλλοντος κάτω από 10 °C ή πάνω από 40 °C. Η συνιστώμενη θερμοκρασία φόρτισης είναι περίπου 24 °C.

Σημείωση: Ο φορτιστής δεν θα φορτίσει μια μπαταρία με θερμοκρασία κυψέλης κάτω από περίπου 10 °C ή πάνω από 40 °C.

Η μπαταρία θα πρέπει να μείνει στο φορτιστή και αυτός θα αρχίσει να τη φορτίζει αυτόματα μόλις η θερμοκρασία κυψέλης αυξηθεί ή μειωθεί αντίστοιχα.

Σημείωση: Για να εξασφαλίσετε μέγιστη απόδοση και μέγιστη ωφέλιμη ζωή των πακέτων μπαταρίας ιόντων λιθίου, φορτίστε πλήρως το πακέτο μπαταρίας πριν την πρώτη χρήση.

- Συνδέστε τον φορτιστή (8) σε κατάλληλη πρίζα πριν εισάγετε το πακέτο μπαταρίας (7).
- Η πράσινη λυχνία φόρτισης (8a) θα αναβοσβήνει συνεχώς υποδηλώνοντας ότι έχει αρχίσει η διαδικασία φόρτισης.
- Η φόρτιση έχει ολοκληρωθεί όταν η πράσινη λυχνία φόρτισης (8a) παραμένει μόνιμα αναμμένη. Τότε το πακέτο μπαταρίας (7) είναι πλήρως φορτισμένο και μπορείτε να το χρησιμοποιήσετε άμεσα ή να το αφήσετε τοποθετημένο στον φορτιστή (8).
- Φορτίζετε τις αποφορτισμένες μπαταρίες εντός 1 εβδομάδας. Η διάρκεια ζωής μιας μπαταρίας μειώνεται σημαντικά αν αποθηκευτεί σε αποφορτισμένη κατάσταση.

Λειτουργίες φορτιστή LED

	<p>Σε φόρτιση: Πράσινη LED αναβοσβήνει</p>	
--	---	--

Φορτιστές

- Ο φορτιστής Stanley Fat Max πρέπει να χρησιμοποιείται αποκλειστικά και μόνο για τη φόρτιση της μπαταρίας του εργαλείου το οποίο συνοδεύει. Αν χρησιμοποιηθεί για άλλες μπαταρίες, αυτές μπορεί να εκραγούν, προκαλώντας τραυματισμό και ζημιές.
- Μην επιχειρείτε να φορτίσετε μη επαναφορτιζόμενες μπαταρίες.
- Φροντίζετε να αντικαθίστανται άμεσα τα καλώδια που παρουσιάζουν βλάβη.
- Μην εκθέτετε το φορτιστή σε νερό.
- Μην ανοίγετε το φορτιστή.
- Μην επεμβαίνετε στο φορτιστή.



Ο φορτιστής προορίζεται για χρήση σε εσωτερικούς χώρους μόνο.



Διαβάστε αυτό το εγχειρίδιο οδηγιών πριν από τη χρήση.

Ασφαλής χρήση ηλεκτρικού ρεύματος







Ο φορτιστής σας φέρει διπλή μόνωση, επομένως δεν απαιτείται σύρμα γείωσης. Ελέγχετε πάντα αν η τάση τροφοδοσίας αντιστοιχεί σε αυτήν που αναγράφεται στην πινακίδα χαρακτηριστικών. Ποτέ μην επιχειρείτε να αντικαταστήσετε τη μονάδα φορτιστή με έναν κανονικό ρευματολήπτη.

- Αν το καλώδιο τροφοδοσίας έχει υποστεί ζημία, πρέπει να αντικατασταθεί από τον κατασκευαστή ή εξουσιοδοτημένο κέντρο σέρβις της STANLEY FATMAX για την αποφυγή κινδύνου.

Χαρακτηριστικά

Στο εργαλείο αυτό διατίθενται ορισμένα ή όλα τα παρακάτω χαρακτηριστικά.

1. Διακόπτης σκανδάλης ρύθμισης της ταχύτητας
2. Κουμπί ασφάλισης
3. Μοχλός κλειδώματος λεπίδας πριονιού

	Φόρτιση ολοκληρώθηκε: Πράσινη LED σταθερή	
	Καθυστέρηση θερμού/ψυχρού πακέτου: Πράσινη LED αναβοσβήνει Κόκκινη LED σταθερή	

Σημείωση: Ο/Οι συμβατός(-οι) φορτιστής(-ές) δεν θα φορτίσουν ένα πακέτο μπαταρίας που παρουσιάζει βλάβη. Ο φορτιστής θα υποδείξει ότι υπάρχει βλάβη στο πακέτο μπαταρίας με το να μην ανάψει ενδεικτική λυχνία.

Σημείωση: Αυτό θα μπορούσε να σημαίνει και πρόβλημα με τον φορτιστή. Αν ο φορτιστής υποδηλώνει πρόβλημα, δώστε τον φορτιστή και το πακέτο μπαταρίας για έλεγχο σε εξουσιοδοτημένο κέντρο σέρβις.

Παραμονή της μπαταρίας στο φορτιστή

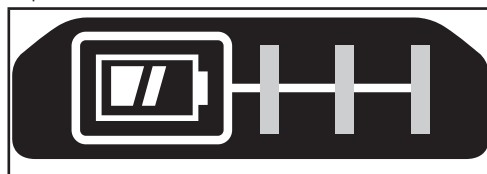
Ο φορτιστής και η μπαταρία μπορούν να παραμείνουν συνδεδεμένα με τη λυχνία LED αναμμένη επ' αόριστον. Ο φορτιστής θα διατηρήσει την μπαταρία πλήρως φορτισμένη.

Καθυστέρηση θερμού/ψυχρού πακέτου μπαταρίας

Αν ο φορτιστής ανιχνεύσει ότι μια μπαταρία βρίσκεται σε πολύ υψηλή ή πολύ χαμηλή θερμοκρασία, τότε ξεκινά αυτόματα μια Καθυστέρηση θερμού/ψυχρού πακέτου, η πράσινη LED (8a) αναβοσβήνει, ενώ η κόκκινη LED (8b) παραμένει αναμμένη συνεχώς, και η φόρτιση αναστέλλεται έως ότου η μπαταρία αποκτήσει κατάλληλη θερμοκρασία. Κατόπιν, ο φορτιστής αρχίζει αυτόματα τη φόρτιση του πακέτου. Αυτή η λειτουργία διασφαλίζει τη μέγιστη διάρκεια ζωής της μπαταρίας.

Ένδειξη κατάστασης φόρτισης μπαταρίας (Εικ. Β)

Η μπαταρία περιλαμβάνει μια ένδειξη κατάστασης φόρτισης για να μπορείτε να εκτιμάτε εύκολα τη διάρκεια ζωής της μπαταρίας, όπως δείχνει η εικόνα Β. Πατώντας το κουμπί κατάστασης φόρτισης (7a) μπορείτε να δείτε εύκολα τη φόρτιση που απομένει στην μπαταρία, όπως παρουσιάζεται στην εικόνα Β.



Εισαγωγή και αφαίρεση του πακέτου μπαταρίας από το εργαλείο



Προειδοποίηση! Βεβαιωθείτε ότι είναι πατημένο το κουμπί ασφάλισης, για να αποφύγετε τυχόν ενεργοποίηση του διακόπτη πριν από την αφαίρεση ή την τοποθέτηση της μπαταρίας.

Για να εγκαταστήσετε το πακέτο μπαταρίας (Εικ. C)

- Εισάγετε το πακέτο μπαταρίας με σταθερή πίεση μέσα στο εργαλείο έως ακούσετε ήχο ασφάλισης, όπως δείχνει η εικόνα C. Βεβαιωθείτε ότι το πακέτο μπαταρίας έχει εδράσει πλήρως και έχει ασφαλίσει καλά στη θέση του.

Για να εγκαταστήσετε το πακέτο μπαταρίας (Εικ. C)

- Πατήστε το κουμπί απελευθέρωσης της μπαταρίας (7b) όπως δείχνει η εικόνα C και τραβήξτε το πακέτο μπαταρίας έξω από το εργαλείο.

Άγκιστρο φύλαξης (προαιρετικό αξεσουάρ) (Εικ. D)



Προειδοποίηση! Για να μειώσετε τον κίνδυνο σοβαρού τραυματισμού, θέστε το κουμπί κίνησης εμπρός/πίσθεν στη θέση ασφάλισης στην απενεργοποίηση ή απενεργοποιήστε το εργαλείο και αποσυνδέστε το πακέτο μπαταρίας πριν κάνετε οποιοσδήποτε ρυθμίσεις ή πριν αφαιρέσετε/τοποθετήσετε προσαρτήματα ή αξεσουάρ. Τυχόν αθέλητη εκκίνηση μπορεί να προκαλέσει τραυματισμό.



Προειδοποίηση! Για να μειώσετε τον κίνδυνο σοβαρού τραυματισμού, να βεβαιώνετε ότι είναι καλά στερεωμένη η βίδα (10) που συγκρατεί το άγκιστρο φύλαξης.

Σημείωση: Όταν προσαρτάτε ή αντικαθιστάτε το άγκιστρο φύλαξης (9), χρησιμοποιείτε μόνο την παρεχόμενη βίδα (10). Φροντίστε να στερεώνετε τη βίδα με ασφάλεια.

Αν το άγκιστρο δεν είναι επιθυμητό μπορεί να αφαιρεθεί από το εργαλείο.

Για να μετακινήσετε το άγκιστρο φύλαξης, αφαιρέστε τη βίδα (10) που συγκρατεί στη θέση του το άγκιστρο φύλαξης (9).

Σημείωση: Διατίθενται διάφορα άγκιστρα και διαμορφώσεις φύλαξης για συστήματα ραγών τσίχου.

Επισκεφθείτε τον ιστότοπό μας www.stanleytools.eu/3 για περισσότερες πληροφορίες.

Συναρμολόγηση



Προειδοποίηση! Πριν από τη συναρμολόγηση, αφαιρέστε την μπαταρία από το εργαλείο και βεβαιωθείτε ότι η λεπίδα πριονιού έχει σταματήσει να κινείται. Οι λεπίδες πριονιού μετά από χρήση μπορεί να είναι καυτές.

Τοποθέτηση και αφαίρεση της λεπίδας πριονιού (Εικ. Ε)

- Κρατήστε την λεπίδα πριονιού (11) με τα δόντια να κοιτούν προς τα εμπρός.
- Σπρώξτε τον μοχλό ασφάλισης της λεπίδας πριονιού (3) προς τα κάτω.
- Τοποθετήστε το στέλεχος της λεπίδας πλήρως στο σφιγκτήρα της λεπίδας (4) μέχρι το τέρμα της διαδρομής του.
- Ελευθερώστε τον μοχλό.
- Για να αφαιρέσετε τη λεπίδα πριονιού (11), σπρώξτε τον μοχλό ασφάλισης λεπίδας πριονιού (3) προς τα κάτω και τραβήξτε τη λεπίδα έξω.



Προειδοποίηση! Η λεπίδα μπορεί να θερμανθεί κατά τη χρήση. Φοράτε πάντα γάντια κατά την αφαίρεση μιας λεπίδας.

Ενεργοποίηση και απενεργοποίηση (Εικ. F)

- Για να ενεργοποιήσετε το εργαλείο, σπρώξτε το κουμπί ασφάλισης (2) προς τα αριστερά και στη συνέχεια, πατήστε και κρατήστε πατημένο τον διακόπτη σκανδάλης ρύθμισης ταχύτητας (1).
- Για να απενεργοποιήσετε το εργαλείο, ελευθερώστε τον διακόπτη σκανδάλης (1).



Προειδοποίηση! Μην ενεργοποιείτε ή απενεργοποιείτε το εργαλείο όταν βρίσκεται υπό φορτίο.



Προειδοποίηση! Σπρώχνετε πάντα το διακόπτη ασφάλισης (2) προς τα δεξιά στη θέση ασφάλισης όταν δεν χρησιμοποιείται το εργαλείο.

Έλεγχος μεταβλητής ταχύτητας

Ο διακόπτης ρύθμισης ταχύτητας on/off προσφέρει μια επιλογή ταχύτητας για κατά πολύ βελτιωμένους ρυθμούς κοπής σε διάφορα υλικά.

- Η ταχύτητα καθορίζεται από το βαθμό έλξης του διακόπτη σκανδάλης (1).

Φαλτσκοπή (Εικ. G, H & I)

Η πλάκα πέδιλου μπορεί να ρυθμιστεί για δεξιά ή αριστερή φαλτσκοπή σε γωνία 45°.

Για να ρυθμιστεί η γωνία φαλτσκοπής:

- Λασκάρετε το μπουλόνι στερέωσης του πέδιλου (12) με το παρεχόμενο κλειδί Άλεν για να απασφαλίσετε την πλάκα πέδιλου (5).
- Σπρώξτε την πλάκα πέδιλου (5) προς τα εμπρός για να την απελευθερώσετε από τη θέση συγκράτησης των 0°.
- Περιστρέψτε την πλάκα πέδιλου στην επιθυμητή γωνία φαλτσκοπής (Εικ. H).
- Σπρώξτε την πλάκα πέδιλου προς τα πίσω για να την ασφαλίσετε στην αριστερή ή τη δεξιά θέση συγκράτησης.

- Σφίξτε το μπουλόνι στερέωσης του πέδιλου (12) με το παρεχόμενο κλειδί Άλεν για να ασφαλίσετε την πλάκα πέδιλου (5) στην απαιτούμενη θέση.

Σημείωση: Το πέδιλο μπορεί να θεθεί σε γωνία φαλτσκοπής προς τα αριστερά ή προς τα δεξιά και διαθέτει θέσεις συγκράτησης στις 45°.

Λειτουργία κοπής (Εικ. J)

Η σέγα αυτή είναι εξοπλισμένη με τρεις λειτουργίες κοπής, δύο παλινδρομικές και μια ευθεία. Η ελλειψοειδής κίνηση χαρακτηρίζεται από πιο επιθετική κίνηση της λεπίδας και έχει σχεδιαστεί για κοπή σε μαλακά υλικά όπως ξύλο ή πλαστικό. Η ελλειψοειδής κίνηση προσφέρει ταχύτερη κοπή, αλλά με λιγότερο λείο αποτέλεσμα κοπής μέσα από το υλικό. Στην ελλειψοειδή κίνηση, επιπλέον της κίνησης πάνω-κάτω, η λεπίδα κινείται και προς τα εμπρός κατά τη διαδρομή κοπής.



Προειδοποίηση! Μέταλλα και σκληρά ξύλα δεν πρέπει ποτέ να κόβονται με ελλειψοειδή κίνηση κοπής.

- Σπρώξτε το κουμπί λειτουργίας κοπής (6) μεταξύ των τριών θέσεων κοπής: 0, 1 και 2.
- Η θέση 0 είναι για ευθεία κοπή.
- Οι θέσεις 1 και 2 είναι για ελλειψοειδή κίνηση κοπής.
- Η επιθετικότητα της κοπής αυξάνεται καθώς ο μοχλός ρυθμίζεται από το ένα στο δύο, με το δύο να είναι η πιο επιθετική κοπή.

Πριόνισμα

- Πάντα να κρατάτε το εργαλείο και με τα δύο χέρια.
- Αφήστε τη λεπίδα να κινηθεί ελεύθερα για λίγα δευτερόλεπτα προτού ξεκινήσετε την κοπή.
- Κατά την εκτέλεση της κοπής, εφαρμόζετε μόνο μικρή πίεση στο εργαλείο.
- Εάν είναι δυνατό, εργαστείτε με την πλάκα πέδιλου (5) να πιέζεται επάνω στο αντικείμενο εργασίας. Κάτι τέτοιο βελτιώνει τον έλεγχο του εργαλείου και μειώνει τις δονήσεις, επίσης προστατεύει την λεπίδα πριονιού από ζημιές.

Συμβουλές για άριστη χρήση

Γενικά

- Χρησιμοποιείτε υψηλή ταχύτητα για ξύλο, μέτρια ταχύτητα για αλουμίνιο και PVC και χαμηλή ταχύτητα για μέταλλα διαφορετικά από το αλουμίνιο.

Πριόνισμα ελασμάτων

Καθώς η λεπίδα πριονιού κόβει κατά τη διαδρομή προς τα πάνω, μπορεί να προκύψουν σκληρές στην επιφάνεια που είναι πιο κοντά στην πλάκα πέδιλου.

- Χρησιμοποιείτε μια λεπίδα πριονιού με λεπτά δόντια.
- Πριονίζετε από την πίσω επιφάνεια του αντικείμενου εργασίας.

- Για να ελαχιστοποιήσετε τη δημιουργία σκληθρών, στερεώστε με το σφιγκτήρα ένα κομμάτι άχρηστου ξύλου ή κόντρα πλακέ και στις δύο πλευρές του αντικειμένου υπό επεξεργασία και κατόπιν κόψτε αυτό το σάντουιτς.

Πριόνισμα μετάλλου

Να ξέρετε ότι το πριόνισμα μετάλλου παίρνει πολύ παραπάνω χρόνο από το πριόνισμα ξύλου.

- Χρησιμοποιείτε μια λεπίδα πριονιού κατάλληλη για πριόνισμα μετάλλου. Χρησιμοποιείτε μια λεπίδα πριονιού με λεπτά δόντια για σιδηρούχα μέταλλα και μια χοντρότερη λεπίδα πριονιού για μη σιδηρούχα μέταλλα.
- Όταν κόβετε λεπτά μεταλλικά ελάσματα, στερεώστε με το σφιγκτήρα ένα κομμάτι άχρηστου ξύλου στην πίσω επιφάνεια του αντικειμένου εργασίας και κατόπιν κόψτε αυτό το σάντουιτς.
- Απλώστε ένα λεπτό στρώμα λαδιού κατά μήκος της γραμμής που σκοπεύετε να κόψετε.

Αξεσουάφ

Η απόδοση του εργαλείου σας εξαρτάται από τα αξεσουάρ που χρησιμοποιούνται. Τα αξεσουάρ STANLEY FATMAX έχουν κατασκευαστεί μηχανικά με βάση πρότυπα υψηλής ποιότητας και είναι σχεδιασμένα να ενισχύουν την απόδοση του εργαλείου σας. Χρησιμοποιώντας αυτά τα αξεσουάρ θα λάβετε τη μέγιστη απόδοση από το εργαλείο σας. Το εργαλείο αυτό είναι συμβατό με τις πριονόλαμες με στέλεχος σχήματος U και T.

Συντήρηση

Αυτό το εργαλείο της Black & Decker έχει σχεδιαστεί έτσι ώστε να λειτουργεί για μεγάλο χρονικό διάστημα με την ελάχιστη δυνατή συντήρηση. Η συνεχής ικανοποιητική λειτουργία εξαρτάται από τη σωστή φροντίδα και τον τακτικό καθαρισμό του εργαλείου.



Προειδοποίηση! Πριν από κάθε εργασία συντήρησης πρέπει να θέτετε το εργαλείο εκτός λειτουργίας και να το βγάξετε από την πρίζα.

- Να καθαρίζετε τακτικά τα ανοίγματα εξαερισμού του εργαλείου και του φορτιστή χρησιμοποιώντας μια μαλακή βούρτσα ή ένα στεγνό πανί.
- Να καθαρίζετε τακτικά το περίβλημα του μοτέρ με ένα ελαφρά υγρό πανί. Μη χρησιμοποιείτε λειαντικά υγρά καθαρισμού ή καθαριστικά που περιέχουν διαλυτικά.
- Από καιρό σε καιρό λιπαίνετε με μια σταγόνα λάδι τον άξονα του ράουλου υποστήριξης της λεπίδας.

Προστασία του περιβάλλοντος



Χωριστή συλλογή. Τα προϊόντα και οι μπαταρίες που επισημαίνονται με αυτό το σύμβολο δεν πρέπει να απορρίπτονται μαζί με τα κανονικά οικιακά απορρίμματα.

Τα προϊόντα και οι μπαταρίες περιέχουν υλικά που μπορούν να ανακτηθούν ή να ανακυκλωθούν ώστε να μειωθούν οι ανάγκες για πρώτες ύλες.

Παρακαλούμε να ανακυκλώνετε τα ηλεκτρικά προϊόντα και τις μπαταρίες σύμφωνα με τους τοπικούς κανονισμούς. Περισσότερες πληροφορίες διατίθενται στον ιστότοπο www.2helpU.com

Τεχνικά χαρακτηριστικά

SFMC600 (H1)		
Τάση	V_{dc}	18
Ταχύτητα χωρίς φορτίο	min^{-1}	0 - 2500
Μήκος διαδρομής	mm	19
Μέγιστο βάθος κοπής		
Ξύλο	mm	55
Χάλυβας	mm	8
Αλουμίνιο	mm	20
Βάρος	kg	2,62

Φορτιστής		SFMCB11	SFMCB12	SFMCB14
Τάση εισόδου	V_{AC}	230	230	230
Τάση εξόδου	V_{DC}	18	18	18
Ρεύμα	A	1,25	2	4

Μπαταρία		SFMCB201	SFMCB202	SFMCB204	SFMCB206
Τάση	V_{DC}	18	18	18	18
Χωρητικότητα	Ah	1,5	2,0	4,0	6,0
Τύπος		Ιόντων λιθίου	Ιόντων λιθίου	Ιόντων λιθίου	Ιόντων λιθίου

Στάθμη ηχητικής πίεσης κατά EN62841:

Ηχητική πίεση (L_{pA}) 82 dB(A), αβεβαιότητα (K) 5 dB(A)

Ηχητική ισχύς (L_{WA}) 93 dB(A), αβεβαιότητα (K) 5 dB(A)

Συνολικές τιμές κραδασμών (διανυσματικό άθροισμα τριών αξόνων) κατά EN62841:

Κοπή φύλλων ($a_{h, B}$) 4,9 m/s^2 , αβεβαιότητα (K) 1,5 m/s^2

Κοπή μεταλλικών ελασμάτων ($a_{h, M}$) 8,8 m/s^2 , αβεβαιότητα (K) 1,5 m/s^2

Δήλωση συμμόρφωσης ΕΚ

ΟΔΗΓΙΑ ΠΕΡΙ ΜΗΧΑΝΗΜΑΤΩΝ



Σέγα μπαταρίας - SFMCS600

Η Stanley Europe δηλώνει ότι αυτά τα προϊόντα που περιγράφονται στα "τεχνικά χαρακτηριστικά" συμμορφώνονται με τα εξής: 2006/42/ΕΚ, EN62841-1:2015, EN62841-2-11:2016

Αυτά τα προϊόντα συμμορφώνονται επίσης με την Οδηγία 2014/30/ΕΕ και 2011/65/ΕΕ. Για περισσότερες πληροφορίες, παρακαλείστε να επικοινωνήσετε με την Stanley Europe στην παρακάτω διεύθυνση ή να ανατρέξετε στο πίσω μέρος του εγχειριδίου.

Ο κάτωθι υπογεγραμμένος είναι υπεύθυνος για την κατάρτιση του τεχνικού φακέλου και δηλώνει τα παρόντα εκ μέρους της Stanley Europe.

A.P. Smith

Τεχνικός Διευθυντής Σχεδιασμού

STANLEY FATMAX Europe, Egide Walschaertsstraat14-18,
2800 Mechelen, Belgium (Βέλγιο)
2019-10-22

Εγγύηση

Η STANLEY FATMAX είναι σίγουρη για την ποιότητα των προϊόντων της και προσφέρει στους καταναλωτές εγγύηση 12 μηνών από την ημερομηνία αγοράς. Αυτή η εγγύηση αποτελεί πρόσθετο δικαίωμά σας και δεν ζημιώνει τα νόμιμα δικαιώματά σας. Η εγγύηση ισχύει εντός της επικράτειας των χωρών μελών της Ευρωπαϊκής Ένωσης και της Ευρωπαϊκής Ζώνης Ελεύθερων Συναλλαγών.

Για να υποβάλετε αξίωση βάσει της εγγύησης, η αξίωση θα πρέπει να είναι σύμφωνη με τους Όρους και τις Προϋποθέσεις της STANLEY FATMAX και θα χρειαστεί να υποβάλετε απόδειξη αγοράς στον πωλητή ή σε εξουσιοδοτημένο αντιπρόσωπο επισκευών. Μπορείτε να αποκτήσετε τους Όρους και προϋποθέσεις της εγγύησης STANLEY FATMAX 1 έτους και να μάθετε την τοποθεσία του πλησιέστερου εξουσιοδοτημένου αντιπροσώπου επισκευών στο Internet στο www.2helpU.com, ή επικοινωνώντας με το τοπικό σας γραφείο STANLEY FATMAX στη διεύθυνση που υποδεικνύεται στο παρόν εγχειρίδιο.

Επισκεφθείτε τον ιστότοπό μας www.stanleytools.eu/3 για να καταχωρίσετε το καινούργιο προϊόν STANLEY FATMAX που αποκτήσατε και για να λαμβάνετε ενημερώσεις σχετικά με νέα προϊόντα και ειδικές προσφορές.

België/Belgique	STANLEY FATMAX E. Walschaertstraat 14-16 2800 Mechelen Belgium	De. Tel. +32 70 220 065 Fr. Tel. +32 70 220 066 Fax +32 15 473 799 www.stanleytools.eu Enduser.be@SBDinc.com
Danmark	STANLEY FATMAX Farveland 1B 2600 Glostrup	Tel. 70 20 15 10 Fax 70 22 49 10 www.stanleyworks.dk
Deutschland	STANLEY FATMAX Richard Klinger Str. 11, D - 65510 Idstein	Tel. 06126 21-1 Fax 06126 21-2770
Ελλάδα	STANLEY FATMAX. Στράβωνος 7 & Λεωφ. Βουλιαγμένης 159 Γλυφάδα 166 74 - Αθήνα	Τηλ. +30 210 8981-616 Φαξ +30 210 8983-285 www.stanleyworks.gr
España	STANLEY FATMAX. Parc de Negocis "Mas Blau" Edificio Muntadas, c/Bergadá, 1, Of. A6 08820 El Prat de Llobregat (Barcelona)	Tel. 934 797 400 Fax 934 797 419 respuesta.postventa@sbdinc.com www.stanleyworks.es
France	STANLEY FATMAX 5 allée des Hêtres B.P. 30084 69579 Limonest Cédex	Tel. 04 72 20 39 20 Fax 04 72 20 39 00 www.stanleyouillage.fr
Helvetia	STANLEY FATMAX In der Luberzen 40 8902 Urdorf	Tel. 01 730 67 47 Fax 01 730 70 67 www.stanleyworks.de
Italia	STANLEY FATMAX EnergyPark-Building 03 sud, Via Monza 7/A 20871 Vimercate (MB)	Tel. 039-9590200 Fax 039-9590313 www.stanley.it
Nederland	STANLEY FATMAX Joulehof 12, 4600 RG Bergen op Zoom	Tel. +31 164 283 065 Fax +31 164 283 200 Enduser.NL@SBDinc.com
Norge	STANLEY FATMAX Postboks 4613, Nydalen 0405 Oslo	Tlf. 45 25 13 00 Fax 45 25 08 00
Österreich	STANLEY FATMAX Oberlaaerstraße 248, A-1230 Wien	Tel. 01 66116-0 Fax 01 66116-614 www.stanleyworks.de
Portugal	STANLEY FATMAX Centro de Escritórios de Sintra Avenida Almirante Gago Coutinho, 132/134, Edifício 142710-418 Sintra 2710-418 Lisboa	Tel. 214667500 Fax 214667575 resposta.posvenda@sbdinc.com
Suomi	STANLEY FATMAX Tekniikantie 12, 02150 Espoo	Puh. 010 400 430 Faksi 0800 411 340 www.stanleyworks.fi
Sverige	STANLEY FATMAX Box 94, 431 22 Mölndal	Tel. 031-68 61 00 Fax 031-68 60 08
Türkiye	STANLEY FATMAX KALE Hirdavat ve Makina A.Ş. Deftardar Mah. Savaklar Cad. No:15 Edirnekapı / Eyüp / İSTANBUL 34050	Puh. 0212 533 52 55 Faks 0212 533 10 05 www.stanleyworks.fi
United Kingdom	STANLEY FATMAX 270 Bath Road Slough, Berkshire SL1 4DX	Tel. +44 (0)1753 511234 Fax +44 (0)1753 551155 www.stanleytools.co.uk
Middle East & Africa	STANLEY FATMAX P.O.Box - 17164 Jebel Ali (South Zone), Dubai, UAE	Tel. +971 4 8127400 Fax +971 4 8127036 www.stanleyworks.ae