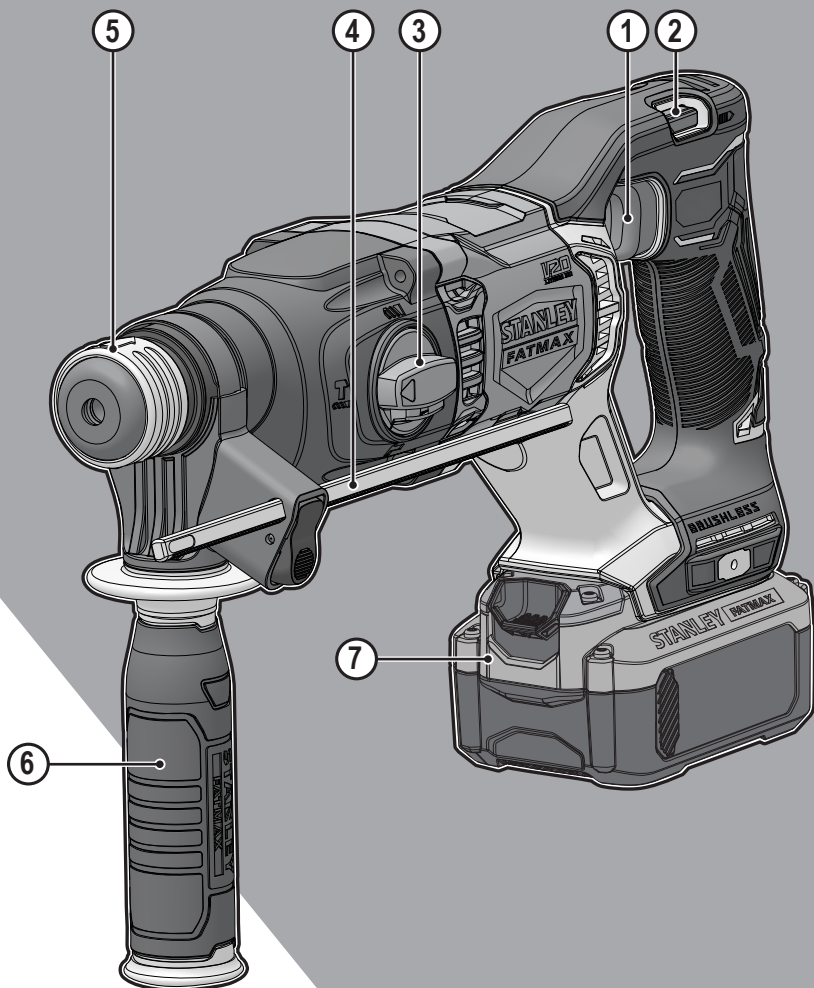


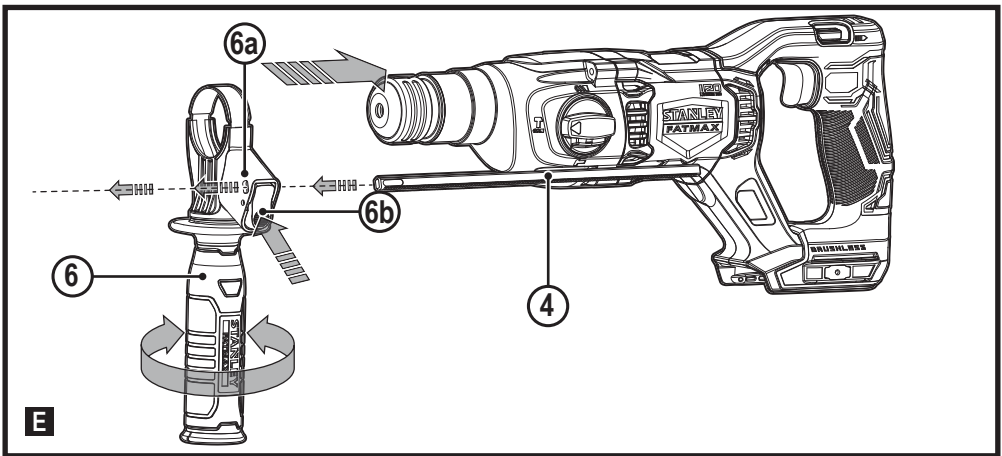
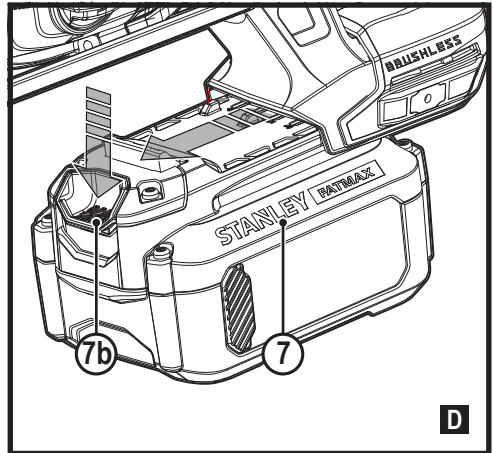
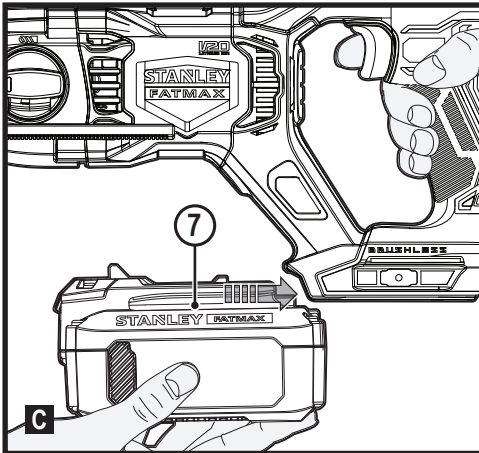
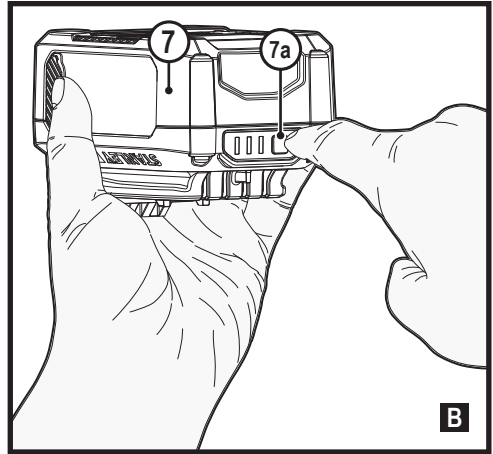
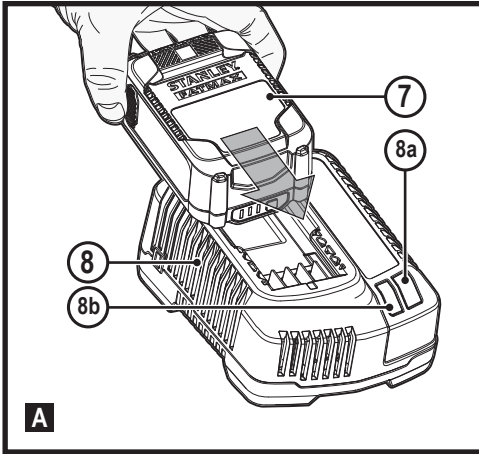
STANLEY® FATMAX®

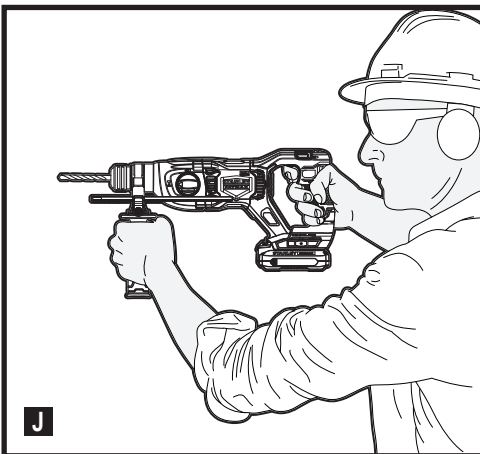
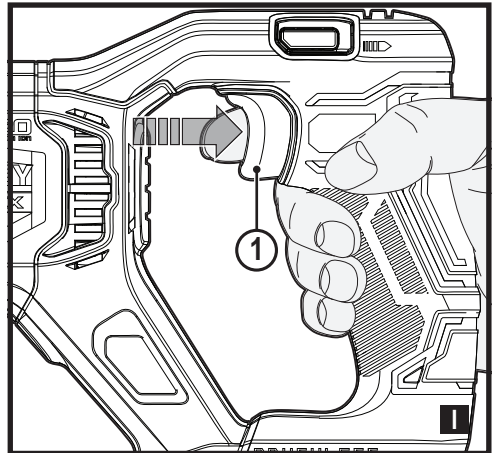
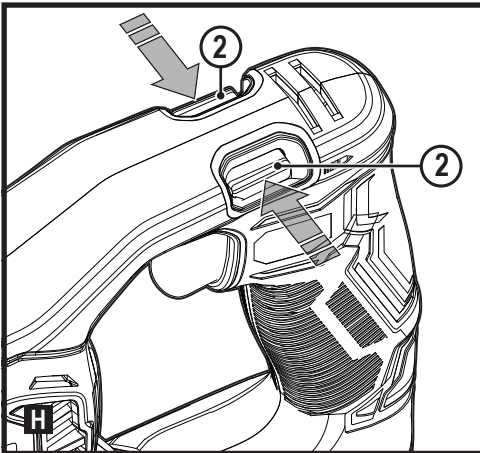
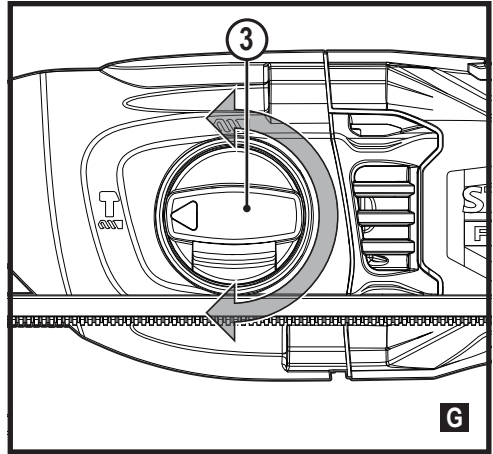
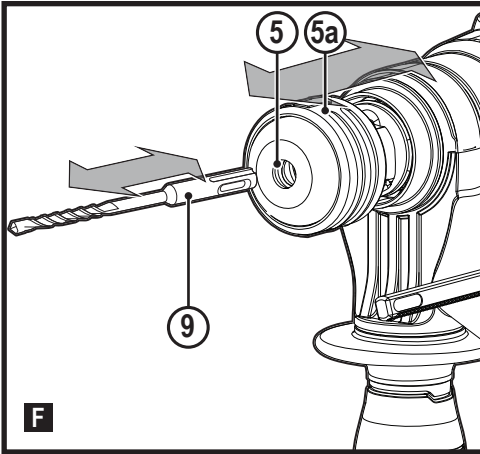
V20 LITHIUM ION



www.stanley.eu

SFMCH900





Intended use

Your STANLEY FATMAX SFMCH900 rotary hammer has been designed for drilling masonry and light chiselling, can also be used for drilling in wood, metal and plastics with SDS adapter (not supplied). This tool is intended for professional and private, non professional users.

Safety instructions

General power tool safety warnings



WARNING! Read all safety warnings, instructions, illustrations and specifications provided with this power tool. Failure to follow all instructions listed below may result in electric shock, fire and/or serious injury.

Save all warnings and instructions for future reference.

The term “power tool” in all of the warnings listed below refers to your mains operated (corded) power tool or battery operated (cordless) power tool.

1. Work area safety

- a. **Keep work area clean and well lit.** Cluttered or dark areas invite accidents.
- b. **Do not operate power tools in explosive atmospheres, such as in the presence of flammable liquids, gases or dust.** Power tools create sparks which may ignite the dust or fumes.
- c. **Keep children and bystanders away while operating a power tool.** Distractions can cause you to lose control.

2. Electrical safety

- a. **Power tool plugs must match the outlet. Never modify the plug in any way.**
Do not use any adapter plugs with earthed (grounded) power tools. Unmodified plugs and matching outlets will reduce risk of electric shock.
- b. **Avoid body contact with earthed or grounded surfaces such as pipes, radiators, ranges and refrigerators.** There is an increased risk of electric shock if your body is earthed or grounded.
- c. **Do not expose power tools to rain or wet conditions.** Water entering a power tool will increase the risk of electric shock.
- d. **Do not abuse the cord. Never use the cord for carrying, pulling or unplugging the power tool. Keep cord away from heat, oil, sharp edges or moving parts.** Damaged or entangled cords increase the risk of electric shock.
- e. **When operating a power tool outdoors, use an extension cord suitable for outdoor use.** Use of a cord suitable for outdoor use reduces the risk of electric shock.
- f. **If operating a power tool in a damp location is unavoidable, use a residual current device (RCD) protected supply.** Use of an RCD reduces the risk of electric shock.

3. Personal safety

- a. **Stay alert, watch what you are doing and use common sense when operating a power tool.**
Do not use a power tool while you are tired or under the influence of drugs, alcohol or medication. A moment of inattention while operating power tools may result in serious personal injury.
- b. **Use personal protective equipment. Always wear eye protection.** Protective equipment such as a dust mask, non-skid safety shoes, hard hat, or hearing protection used for appropriate conditions will reduce personal injuries.

- c. **Prevent unintentional starting. Ensure the switch is in the off-position before connecting to power source and/or battery pack, picking up or carrying the tool.** Carrying power tools with your finger on the switch or energising power tools that have the switch on invites accidents.
- d. **Remove any adjusting key or wrench before turning the power tool on.** A wrench or a key left attached to a rotating part of the power tool may result in personal injury.
- e. **Do not overreach. Keep proper footing and balance at all times.** This enables better control of the power tool in unexpected situations.
- f. **Dress properly. Do not wear loose clothing or jewellery. Keep your hair and clothing away from moving parts.** Loose clothes, jewellery or long hair can be caught in moving parts.
- g. **If devices are provided for the connection of dust extraction and collection facilities, ensure these are connected and properly used.** Use of dust collection can reduce dust-related hazards.
- h. **Do not let familiarity gained from frequent use of tools allow you to become complacent and ignore tool safety principles.** A careless action can cause severe injury within a fraction of a second.

4. Power tool use and care

- a. **Do not force the power tool. Use the correct power tool for your application.**
The correct power tool will do the job better and safer at the rate for which it was designed.
- b. **Do not use the power tool if the switch does not turn it on and off.** Any power tool that cannot be controlled with the switch is dangerous and must be repaired.
- c. **Disconnect the plug from the power source and/or remove the battery pack, if detachable, from the power tool before making any adjustments, changing accessories, or storing power tools.** Such preventive safety measures reduce the risk of starting the power tool accidentally.
- d. **Store idle power tools out of the reach of children and do not allow persons unfamiliar with the power tool or these instructions to operate the power tool.** Power tools are dangerous in the hands of untrained users.
- e. **Maintain power tools and accessories. Check for misalignment or binding of moving parts, breakage of parts and any other condition that may affect the power tools operation. If damaged, have the power tool repaired before use.** Many accidents are caused by poorly maintained power tools.
- f. **Keep cutting tools sharp and clean.** Properly maintained cutting tools with sharp cutting edges are less likely to bind and are easier to control.

- g. **Use the power tool, accessories and tool bits etc. in accordance with these instructions, taking into account the working conditions and the work to be performed.**

Use of the power tool for operations different from those intended could result in a hazardous situation.

- h. **Keep handles and grasping surfaces dry, clean and free from oil and grease.** Slippery handles and grasping surfaces do not allow for safe handling and control of the tool in unexpected situations.
5. **Battery tool use and care (only used for battery tools)**
- a. **Recharge only with the charger specified by the manufacturer.** A charger that is suitable for one type of battery pack may create a risk of fire when used with another battery pack.
- b. **Use power tools only with specifically designated battery packs.** Use of any other battery packs may create a risk of injury and fire.
- c. **When battery pack is not in use, keep it away from other metal objects, like paper clips, coins, keys, nails, screws, or other small metal objects, that can make a connection from one terminal to another.** Shorting the battery terminals together may cause burns or a fire.
- d. **Under abusive conditions, liquid may be ejected from the battery; avoid contact. If contact accidentally occurs, flush with water. If liquid contacts eyes, additionally seek medical help.** Liquid ejected from the battery may cause irritation or burns.
- e. **Do not use a battery pack or tool that is damaged or modified.** Damaged or modified batteries may exhibit unpredictable behaviour resulting in fire, explosion or risk of injury.
- f. **Do not expose a battery pack or tool to fire or excessive temperature.** Exposure to fire or temperature above 130 °C may cause explosion. NOTE: The temperature „130 °C“ can be replaced by the temperature „265 °F“.
- g. **Follow all charging instructions and do not charge the battery pack or tool outside the temperature range specified in the instructions.** Charging improperly or at temperatures outside the specified range may damage the battery and increase the risk of fire.
6. **Service**
- a. **Have your power tool serviced by a qualified repair person using only identical replacement parts.** This will ensure that the safety of the power tool is maintained.

- b. **Never service damaged battery packs.** Service of battery packs should only be performed by the manufacturer or authorized service providers (only used for battery tools).

Additional power tool safety warnings



WARNING! Additional safety warnings for rotary and chiselling hammers

- ◆ **Wear ear protectors.** Exposure to noise can cause hearing loss.
- ◆ **Use auxiliary handles supplied with the tool.** Loss of control can cause personal injury.
- ◆ **Hold power tool by insulated gripping surfaces when performing an operation where the cutting accessory and fasteners may contact hidden wiring.** Cutting accessory contacting a "live" wire may make exposed metal parts of the power tool "live" and could give the operator an electric shock.

Safety instructions when using long drill bits with rotary hammers

- ◆ **Always start drilling at low speed and with the bit tip in contact with the workpiece.** At higher speeds, the bit is likely to bend if allowed to rotate freely without contacting the workpiece, resulting in personal injury.
- ◆ **Apply pressure only in direct line with the bit and do not apply excessive pressure.** Bits can bend causing breakage or loss of control, resulting in personal injury.
- ◆ **Never use a chisel accessory in rotary mode.** The accessory will bind in the material and rotate the drill.
- ◆ **Use clamps or another practical way to secure and support the workpiece to a stable platform.** Holding the work by hand or against your body leaves it unstable and may lead to loss of control.
- ◆ Before drilling into walls, floors or ceilings, check for the location of wiring and pipes.
- ◆ Avoid touching the tip of a drill bit just after drilling, as it may be hot.
- ◆ This tool is not intended for use by persons (including children) with reduced physical, sensory or mental capabilities, or lack of experience and knowledge, unless they have been given supervision or instruction concerning use of the appliance by a person responsible for their safety. Children should be supervised to ensure that they do not play with the appliance.
- ◆ The intended use is described in this instruction manual. The use of any accessory or attachment or performance of any operation with this tool other than those recommended in this instruction manual may present a risk of personal injury and/or damage to property.
- ◆ Use a face or dust mask whenever the operations may produce dust or flying particles.

Safety of others

- ◆ This appliance is not intended for use by persons (including children) with reduced physical, sensory or mental capabilities, or lack of experience and knowledge, unless they have been given supervision or instruction concerning use of the appliance by a person responsible for their safety.
- ◆ Children should be supervised to ensure that they do not play with the appliance.

NOTE: Operating temperature of this tool is 7 to +40° C. Using the tool outside of this temperature range will decrease the life of the tool.

Do not store tool, battery and charger in locations where the temperature may exceed 40 °C.

Residual risks

Additional residual risks may arise when using the tool which may not be included in the enclosed safety warnings. These risks can arise from misuse, prolonged use etc.

Even with the application of the relevant safety regulations and the implementation of safety devices, certain residual risks can not be avoided. These include:

- Injuries caused by touching any rotating/moving parts.
- Injuries caused when changing any parts, blades or accessories.
- Injuries caused by prolonged use of a tool. When using any tool for prolonged periods ensure you take regular breaks.
- Impairment of hearing.
- Health hazards caused by breathing dust developed when using your tool (example:- working with wood, especially oak, beech and MDF.)

Vibration and noise

The declared vibration and noise emission values stated in the technical data and the declaration of conformity have been measured in accordance with a standard test method provided by EN62841 and may be used for comparing one tool with another.

The declared vibration and noise emission value may also be used in a preliminary assessment of exposure.

WARNING! The vibration and noise emission value during actual use of the power tool can differ from the declared value depending on the ways in which the tool is used. The vibration and noise level may increase above the level stated.

When assessing vibration and noise exposure to determine safety measures required by 2002/44/EC to protect persons regularly using power tools in employment, an estimation of vibration exposure should consider, the actual conditions of use and the way the tool is used, including taking account of all parts of the operating cycle such as the times when the tool is switched off and when it is running idle in addition to the trigger time.

Labels on tool

The following symbols are shown on the tool along with the date code:



WARNING! To reduce the risk of injury, the user must read the instruction manual.



Wear ear protectors with rotary hammer drills. Exposure to noise can cause hearing loss



Wear safety glasses or goggles

Additional safety instructions for batteries and chargers

Batteries

- Never attempt to open for any reason.
- Do not expose the battery to water.
- Do not expose the battery to heat.
- Do not store in locations where the temperature may exceed 40 °C.
- Charge only at ambient temperatures between 10 °C and 40 °C.
- Charge only using the charger provided with the appliance/tool.
- When disposing of batteries, follow the instructions given in the section "Protecting the environment".
- Do not damage/deform the battery pack either by puncture or impact, as this may create a risk of injury and fire.
- Do not charge damaged batteries.
- Under extreme conditions, battery leakage may occur. When you notice liquid on the batteries carefully wipe the liquid off using a cloth. Avoid skin contact.
- In case of skin or eye contact, follow the instructions below.



WARNING! The battery fluid may cause personal injury or damage to property. In case of skin contact, immediately rinse with water. If redness, pain or irritation occurs seek medical attention. In case of eye contact, rinse immediately with clean water and seek medical attention.

Chargers

Your charger has been designed for a specific voltage. Always check that the mains voltage corresponds to the voltage on the rating plate.



WARNING! Never attempt to replace the charger unit with a regular mains plug.

- Use your charger only to charge the battery in the tool with which it was supplied. Other batteries could burst, causing personal injury and damage.

- Never attempt to charge non-rechargeable batteries.
- If the supply cord is damaged, it must be replaced by the manufacturer or an authorised Service Centre in order to avoid a hazard.
- Have defective cords replaced immediately.
- Do not expose the charger to water.
- Do not open the charger.
- Do not probe the charger.
- The appliance/tool/battery must be placed in a well ventilated area when charging.



The charger is intended for indoor use only.

Electrical safety



This charger is double insulated; therefore no earth wire is required. Always check that the power supply corresponds to the voltage on the rating plate.

If the supply cord is damaged, it must be replaced by the manufacturer or an authorised STANLEY FATMAX Service Centre in order to avoid a hazard.

Features

This tool includes some or all of the following features.

1. On/Off switch
2. Forward/reverse selector
3. Drilling mode selector
4. Depth stop
5. Tool holder
6. Side handle
7. Battery

Assembly

Use

WARNING! Let the tool work at its own pace. Do not overload.

Charging the battery (No batteries for SFMCH900B, one battery for SFMCH900M12, two batteries for SFMCH900M22) (fig. A)

The battery needs to be charged before first use and whenever it fails to produce sufficient power on jobs that were easily done before.

The battery may become warm while charging; this is normal and does not indicate a problem.

WARNING! Do not charge the battery at ambient temperatures below 10 °C or above 40 °C. Recommended charging temperature: approx. 24 °C.

Note: The charger will not charge a battery if the cell temperature is below approximately 10 °C or above 40 °C.

The battery should be left in the charger and the charger will begin to charge automatically when the cell temperature warms up or cools down.

Note: To ensure maximum performance and life of lithium-ion battery packs, charge the battery pack fully before first use.

- ◆ Plug the charger (8) into an appropriate outlet before inserting battery pack (7).
- ◆ The green charging light (8a) will blink continuously indicating that the charging process has started.
- ◆ The completion of charge will be indicated by the green charging light (8a) remaining ON continuously. The battery pack (7) is fully charged and may be removed and used at this time or left in the charger (8).
- ◆ Charge discharged batteries within 1 week. Battery life will be greatly diminished if stored in a discharged state.

Charger LED Modes

| | | |
|--|--|--|
| | Charging: Green LED Intermittent | |
| | Fully Charged: Green LED Solid | |
| | Hot/Cold Pack Delay: Green LED Intermittent Red LED Solid | |

Note: The compatible charger(s) will not charge a faulty battery pack. The charger will indicate a faulty battery pack by refusing to light.

Note: This could also mean a problem with a charger. If the charger indicates a problem, take the charger and battery pack to be tested at an authorized service centre.

Leaving the battery in the charger

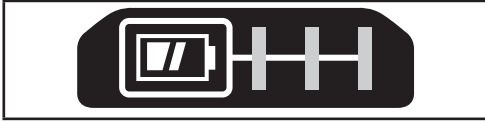
The charger and battery pack can be left connected with the LED glowing indefinitely. The charger will keep the battery pack fresh and fully charged.

Hot/Cold Pack Delay

When the charger detects a battery that is too hot or too cold, it automatically starts a Hot/Cold Pack Delay, the green LED (8a) will flash intermittently, while the red LED (8b) will remain on continuously, suspending charging until the battery has reached an appropriate temperature. The charger then automatically switches to the pack charging mode. This feature ensures maximum battery life.

Battery state of charge indicator (Fig. B)

The battery includes a state of charge indicator to quickly determine the extent of battery life as shown in figure B. By pressing the state of charge button (7a) you can easily view the charge remaining in the battery as illustrated in figure B.



Installing and Removing the Battery Pack from the tool

WARNING! Make certain the lock-off button is engaged to prevent switch actuation before removing or installing battery.

To install battery pack (No batteries for SFMCH900B, one battery for SFMCH900M12, two batteries for SFMCH900M22) (Fig. C)

- ◆ Insert battery pack firmly into tool until an audible click is heard as shown in figure C. Ensure battery pack is fully seated and fully latched into position.

To remove battery pack (Fig. D)

- ◆ Depress the battery release button (7b) as shown in figure D and pull battery pack out of tool.

Fitting the side handle (fig. E)

- ◆ Turn the grip counterclockwise until you can slide the side handle (6) onto the front of the tool as shown.
- ◆ Rotate the side handle into the desired position.
- ◆ Tighten the side handle by turning the grip clockwise.

Fitting and setting the depth stop (fig. E)

- ◆ Depress the button (6b).
- ◆ Insert the depth stop (4) into the mounting hole (6a) as shown.
- ◆ Set the depth stop (4) to the desired position. The maximum drilling depth is equal to the distance between the tip of the drill bit and the front end of the depth stop.
- ◆ Release the button (6b).

Fitting an accessory (fig. F)

- ◆ Clean and grease the shank (9) of the accessory.
- ◆ Pull back the sleeve (5a) and insert the shank into the tool holder (5).
- ◆ Push the accessory down and turn it slightly until it fits into the slots.
- ◆ Pull on the accessory to check if it is properly locked. The hammering function requires the accessory to be able to move axially several centimetres when locked in the tool holder.

- ◆ To remove the accessory, pull back the sleeve (5a) and pull out the accessory.

WARNING! Before drilling into walls, floors or ceilings, check for the location of wiring and pipes.

WARNING! Do not apply chisels when the tool is in the drilling mode.

Selecting the operating mode (fig. G)

The tool can be used in three operating modes.

- ◆ To operate the operating mode selector (3), push the unlock button.
Rotate the selector towards the required position, as indicated by the symbols.

Forward/reverse action (fig. H)


- ◆ Move the selector (2) to indicate the direction you require.

Switching on and off (fig. I)


- ◆ To switch the tool on, press the on/off switch (1).
- ◆ To switch the tool off, release the on/off switch.

Always hold the tool as shown in figure J.

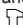
Drilling

- ◆ For drilling in steel, wood and plastics (only possible with adapter, not supplied), and for screwdriving set the operating mode selector (3) to the  position.

Hammer drilling

- ◆ For hammer drilling in masonry and concrete, set the operating mode selector (3) to the  position. When hammering, the tool should not bounce and run smoothly. If necessary, increase the speed.

Hammering

- ◆ For hammering with spindle lock, and for light chiselling and chipping, set the operating mode selector (3) to the  position.
- ◆ When changing from hammer drilling to chiselling, turn the chisel to the desired position. If resistance is felt during mode change, slightly turn the chisel to engage the spindle lock.

Accessories

The performance of your tool depends on the accessory used. STANLEY FATMAX accessories are engineered to high quality standards and designed to enhance the performance of your tool. By using these accessories you will get the very best from your tool.

WARNING! Since accessories, other than those offered by STANLEY FATMAX, have not been tested with this product, use of such accessories with this tool could be hazardous.

To reduce the risk of injury, only use STANLEY FATMAX recommended accessories should be used with this product.

Maintenance

Your STANLEY FATMAX corded/cordless appliance/tool has been designed to operate over a long period of time with a minimum of maintenance. Continuous satisfactory operation depends upon proper tool care and regular cleaning.

WARNING! Before performing any maintenance on corded/cordless power tools:

- ◆ Switch off and unplug the appliance/tool.
- ◆ Regularly clean the ventilation slots in your appliance/tool/charger using a soft brush or dry cloth.
- ◆ Regularly clean the motor housing using a damp cloth. Do not use any abrasive or solvent-based cleaner.
- ◆ Regularly open the chuck and tap it to remove any dust from the interior (when fitted).

Mains plug replacement (U.K. & Ireland only)

If a new mains plug needs to be fitted:

- ◆ Safely dispose of the old plug.
- ◆ Connect the brown lead to the live terminal in the new plug.
- ◆ Connect the blue lead to the neutral terminal.

WARNING! No connection is to be made to the earth terminal. Follow the fitting instructions supplied with good quality plugs. Recommended fuse: 5 A.

Protecting the environment



Separate collection. Products and batteries marked with this symbol must not be disposed of with normal household waste.

Products and batteries contain materials that can be recovered or recycled, reducing demand for raw materials. Please recycle electrical products and batteries according to local provisions. Further information is available at www.2helpU.com

Technical data

| | | SFMCH900M12 | SFMCH900M22 | SFMCH900B* |
|-------------------------------------|-------------------|-------------|-------------|------------|
| Input voltage | V _{DC} | 18 | 18 | 18 |
| No-load speed | min ⁻¹ | 0 - 1500 | 0 - 1500 | 0 - 1500 |
| No-load beats per minute | bpm | 0 - 5500 | 0 - 5500 | 0 - 5500 |
| Single impact energy (EPTA 05/2009) | J | 2.0 | 2.0 | 2.0 |
| Weight | kg | 2.9 | 2.9 | 2.3 |
| Max. drilling capacity | | | | |
| Concrete | mm | 22 | 22 | 22 |

| | | SFMCH900M12 | SFMCH900M22 | SFMCH900B* |
|-------|----|-------------|-------------|------------|
| Steel | mm | 13 | 13 | 13 |
| Wood | mm | 30 | 30 | 30 |

| Battery | | SFMCB201 | SFMCB202 | SFMCB204 | SFMCB206 |
|----------|-----------------|----------|----------|----------|----------|
| Voltage | V _{DC} | 18 | 18 | 18 | 18 |
| Capacity | Ah | 1.5 | 2.0 | 4.0 | 6.0 |
| Type | | Li-Ion | Li-Ion | Li-Ion | Li-Ion |

| Charger | | SFMCB11 | SFMCB12 | SFMCB14 |
|----------------|-----------------|---------|---------|---------|
| Input Voltage | V _{AC} | 230 | 230 | 230 |
| Output Voltage | V _{DC} | 18 | 18 | 18 |
| Current | A | 1.25 | 2 | 4 |

***No Battery or Charger supplied with SFMCH900B unit**

| Level of sound pressure according to EN 62841: |
|---|
| Hammer mode Emission sound pressure level (L _{WA}) 90 dB(A), uncertainty (K) 3 dB(A) Hammer mode Sound power level (L _{WA}) 98 dB(A), uncertainty (K) 3. dB(A) |

| Vibration total values (tri-ax vector sum) according to EN 62841: |
|--|
| Hammer drilling into concrete (a _{h, HD}) 13.1 m/s ² , uncertainty (K) 1.5 m/s ² |
| Chiselling (a _{h, Chg}) 9.6 m/s ² , uncertainty (K) 1.5 m/s ² |

Declaration of conformity The Supply of Machinery (Safety) Regulations 2008



SFMCH900 Rotary hammer
STANLEY FATMAX declares that these products described under "technical data" are in compliance with:
EN62841-1:2015+A11:2022, EN IEC62841-2-6:2020+A11:2020.

These products conform to the following UK Regulations:
The Supply of Machinery (Safety) Regulations, 2008, S.I. 2008/1597 (as amended).

Electromagnetic Compatibility Regulations, 2016,
S.I.2016/1091 (as amended).

The Restriction of the Use of Certain Hazardous Substances in Electrical and Electronic Equipment Regulations 2012, S.I. 2012/3032 (as amended).

For more information, please contact STANLEY FATMAX at the following address or refer to the back of the manual.

The undersigned is responsible for compilation of the technical file and makes this declaration on behalf of STANLEY FATMAX.



Karl Evans
Vice President Professional Power Tools EANZ GTS
STANLEY FATMAX
270 Bath Road, Slough, Berkshire, SL1 4DX
England
TBC

Terms and conditions of the STANLEY FATMAX 1 year guarantee and the location of your nearest authorised repair agent can be obtained on the Internet at www.2helpU.com, or by contacting your local STANLEY FATMAX office at the address indicated in this manual.

Please visit our website www.stanley.eu/3 to register. Please visit our website www.stanley.eu/3 to register your new STANLEY FATMAX product and receive updates on new products and special offers.

EC declaration of conformity

MACHINERY DIRECTIVE



SFMCH900 Rotary hammer

STANLEY FATMAX declares that these products described under "technical data" are in compliance with: 2006/42/EC.

EN62841-1:2015+A11:2022, EN IEC62841-2-6:2020+A11:2020.

These products also comply with directive 2014/30/EU, and 2011/65/EU.

For more information, please contact STANLEY FATMAX at the following address or refer to the back of the manual.

The undersigned is responsible for compilation of the technical file and makes this declaration on behalf of STANLEY FATMAX.



Patrick Diepenbach
General Manager, Benelux
STANLEY FATMAX,
Egide Walschaertsstraat 14-18
2800 Mechelen, Belgium
TBC

Guarantee

STANLEY FATMAX is confident of the quality of its products and offers consumers a 12 month guarantee from the date of purchase. This guarantee is in addition to and in no way prejudices your statutory rights. The guarantee is valid within the territories of the Member States of the European Union, European Free Trade area and the United Kingdom.

To claim on the guarantee, the claim must be in accordance with STANLEY FATMAX Terms and Conditions and you will need to submit proof of purchase to the seller or an authorised repair agent.

United Kingdom

Stanley Fat Max
270 Bath Road
Slough, Berkshire SL1 4DX

Tel. 01753 511234
Fax 01753 572112
www.stanleytools.co.uk