

---

# **DEWALT**

---

**D25501**  
**D25601**  
**D25602**  
**D25603**

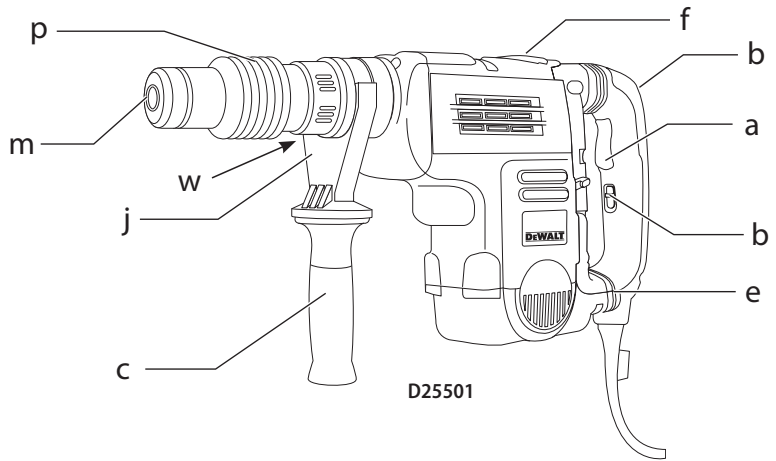
**[www.DEWALT.com](http://www.DEWALT.com)**

---

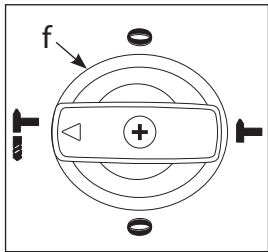
English (original)	4
中文 (简体)	13
한글판	22
ภาษาไทย	31

---

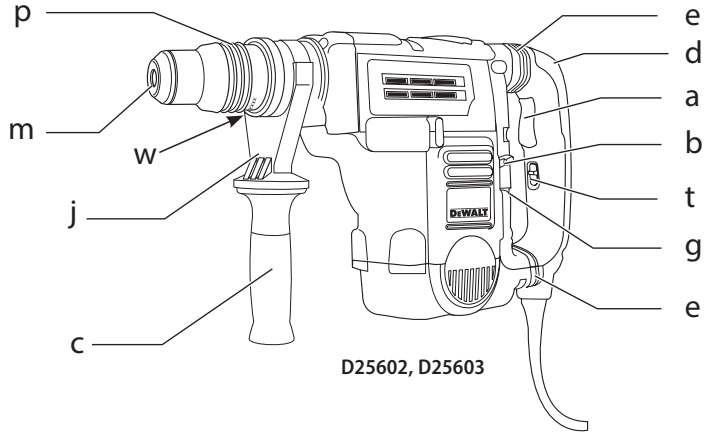
Figure 1A



D25501

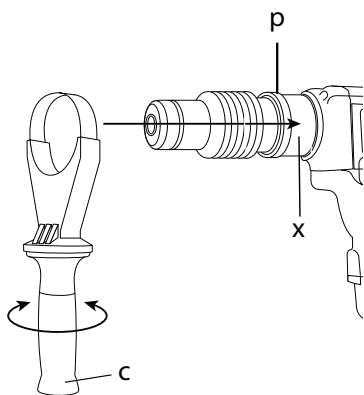


D25501



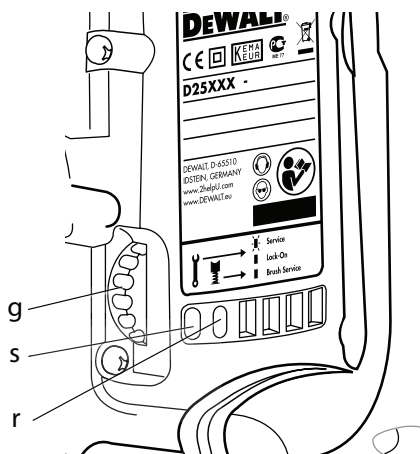
D25602, D25603

Fig. 2



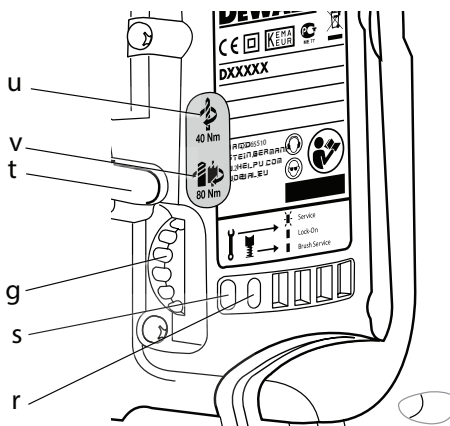
D25501, D25601, D25602,  
D25603

Fig. 3

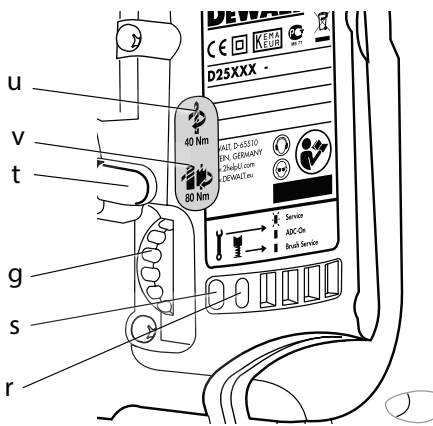


D25601

Fig. 3



D25602



D25603

Fig. 4A

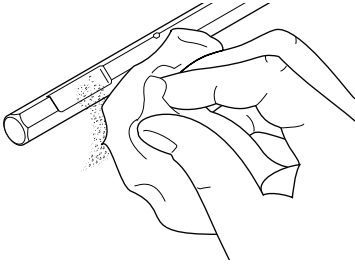


Fig. 4B

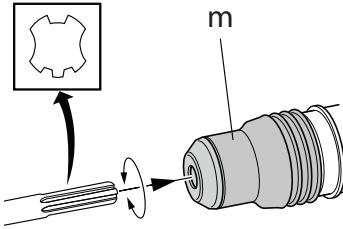


Fig. 5

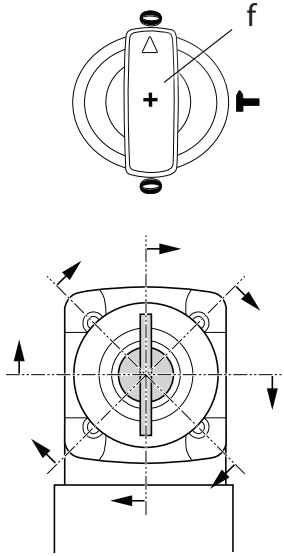
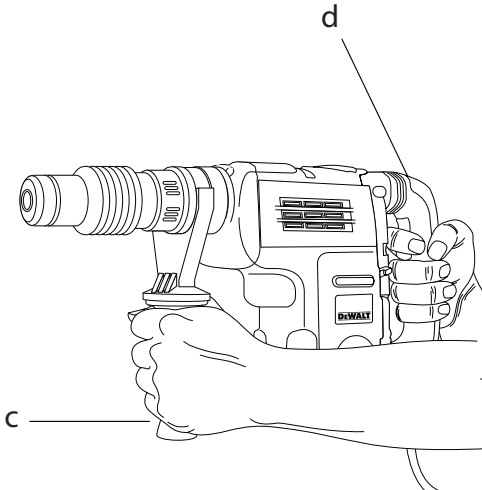


Fig. 6



D25501, D25601, D25602, D25603

# SDS MAX COMBINATION & CHIPPING HAMMERS

## D25501, D25601, D25602, D25603

### Congratulations!

You have chosen a DEWALT tool. Years of experience, thorough product development and innovation make DEWALT one of the most reliable partners for professional power tool users.

### Technical Data

		D25501	D25601	D25602	D25603
Voltage (B1)	V	220-240	220-240	230	230
Type		2	2	2	2
Power input	W	1100	1250	1250	1250
Impact energy	J	11	1.5-13	2-14	2-14
Total drilling range in concrete:					
solid bits	mm	12-40	12-45	12-45	12-45
core bits	mm	40-90	40-100	40-100	40-100
Optimum drilling range in concrete:					
solid bits	mm	18-26	25-35	25-35	25-35
Chisel positions		18	18	18	18
Tool holder		SDS Max®	SDS Max®	SDS Max®	SDS Max®
Weight	kg	6.15	6.8	6.9	6.95
$L_{PA}$ (sound pressure)	dB(A)	94	92	93	93
$K_{PA}$ (sound pressure uncertainty)	dB(A)	3	3	3	3
$L_{WA}$ (sound power)	dB(A)	104	103	104	104
$K_{WA}$ (sound power uncertainty)	dB(A)	3	3	3	3

Vibration total values (triax vector sum) determined according to EN 60745:

Vibration emission value  $a_h$

Drilling into concrete

$a_{h,HD} =$	m/s <sup>2</sup>	18.3	9.2	9.1	9.1
Uncertainty K =	m/s <sup>2</sup>	1.8	1.5	1.6	1.6

Vibration emission value  $a_h$

Chiselling

$a_{h,Cheq} =$	m/s <sup>2</sup>	13.2	7.2	7.4	7.4
Uncertainty K =	m/s <sup>2</sup>	1.6	1.5	1.6	1.6

The vibration emission level given in this information sheet has been measured in accordance with a standardised test given in EN 60745 and may be used to compare one tool with another. It may be used for a preliminary assessment of exposure.



**WARNING:** The declared vibration emission level represents the main applications of the tool. However if the tool is used for different applications, with different accessories or poorly maintained, the vibration emission may differ. This may significantly increase the exposure level over the total working period.

An estimation of the level of exposure to vibration should also take into account the times when the tool is switched off or when it is running but not actually doing the job. This may significantly reduce the exposure level over the total working period.

Identify additional safety measures to protect the operator from the effects of vibration such as: maintain the tool and the accessories, keep the hands warm, organisation of work patterns.

## Definitions: Safety Guidelines

The definitions below describe the level of severity for each signal word. Please read the manual and pay attention to these symbols.



**DANGER:** Indicates an imminently hazardous situation which, if not avoided, **will** result in **death or serious injury** .



**WARNING:** Indicates a potentially hazardous situation which, if not avoided, **could** result in **death or serious injury** .



**CAUTION:** Indicates a potentially hazardous situation which, if not avoided, **may** result in **minor or moderate injury** .

**NOTICE:** Indicates a practice **not related to personal injury** which, if not avoided, **may** result in **property damage** .



Denotes risk of electric shock.



Denotes risk of fire.



**WARNING:** To reduce the risk of injury, read the instruction manual.

## General Power Tool Safety Warnings



**WARNING!** Read all safety warnings and instructions. Failure to follow the warnings and instructions may result in electric shock, fire and/or serious injury.

### SAVE ALL WARNINGS AND INSTRUCTIONS FOR FUTURE REFERENCE

The term “power tool” in the warnings refers to your mains-operated (corded) power tool or battery-operated (cordless) power tool.

## 1) WORK AREA SAFETY

- Keep work area clean and well lit.**  
Cluttered or dark areas invite accidents.
- Do not operate power tools in explosive atmospheres, such as in the presence of flammable liquids, gases or dust.** Power tools create sparks which may ignite the dust or fumes.
- Keep children and bystanders away while operating a power tool.** Distractions can cause you to lose control.

## 2) ELECTRICAL SAFETY

- Power tool plugs must match the outlet. Never modify the plug in any way. Do not use any adapter plugs with earthed (grounded) power tools.** Unmodified plugs and matching outlets will reduce risk of electric shock.
- Avoid body contact with earthed or grounded surfaces such as pipes, radiators, ranges and refrigerators.** There is an increased risk of electric shock if your body is earthed or grounded.
- Do not expose power tools to rain or wet conditions.** Water entering a power tool will increase the risk of electric shock.
- Do not abuse the cord. Never use the cord for carrying, pulling or unplugging the power tool. Keep cord away from heat, oil, sharp edges or moving parts.** Damaged or entangled cords increase the risk of electric shock.
- When operating a power tool outdoors, use an extension cord suitable for outdoor use.** Use of a cord suitable for outdoor use reduces the risk of electric shock.
- If operating a power tool in a damp location is unavoidable, use a residual current device (RCD) protected supply.** Use of an RCD reduces the risk of electric shock.

## 3) PERSONAL SAFETY

- Stay alert, watch what you are doing and use common sense when operating a power tool. Do not use a power tool while you are tired or under the influence of drugs, alcohol or medication.** A moment of inattention while operating power tools may result in serious personal injury.
- Use personal protective equipment. Always wear eye protection.** Protective equipment such as dust mask, non-skid safety shoes, hard hat, or hearing protection used for appropriate conditions will reduce personal injuries.

- c) **Prevent unintentional starting. Ensure the switch is in the off position before connecting to power source and/or battery pack, picking up or carrying the tool.** Carrying power tools with your finger on the switch or energising power tools that have the switch on invites accidents.
- d) **Remove any adjusting key or wrench before turning the power tool on.** A wrench or a key left attached to a rotating part of the power tool may result in personal injury.
- e) **Do not overreach. Keep proper footing and balance at all times.** This enables better control of the power tool in unexpected situations.
- f) **Dress properly. Do not wear loose clothing or jewellery. Keep your hair, clothing and gloves away from moving parts.** Loose clothes, jewellery or long hair can be caught in moving parts.
- g) **If devices are provided for the connection of dust extraction and collection facilities, ensure these are connected and properly used.** Use of dust collection can reduce dust-related hazards.

#### **4) POWER TOOL USE AND CARE**

- a) **Do not force the power tool. Use the correct power tool for your application.** The correct power tool will do the job better and safer at the rate for which it was designed.
- b) **Do not use the power tool if the switch does not turn it on and off.** Any power tool that cannot be controlled with the switch is dangerous and must be repaired.
- c) **Disconnect the plug from the power source and/or the battery pack from the power tool before making any adjustments, changing accessories, or storing power tools.** Such preventive safety measures reduce the risk of starting the power tool accidentally.
- d) **Store idle power tools out of the reach of children and do not allow persons unfamiliar with the power tool or these instructions to operate the power tool.** Power tools are dangerous in the hands of untrained users.
- e) **Maintain power tools. Check for misalignment or binding of moving parts, breakage of parts and any other condition that may affect the power tool's operation. If damaged, have the power tool repaired**

**before use.** Many accidents are caused by poorly maintained power tools.

- f) **Keep cutting tools sharp and clean.** Properly maintained cutting tools with sharp cutting edges are less likely to bind and are easier to control.
- g) **Use the power tool, accessories and tool bits etc., in accordance with these instructions taking into account the working conditions and the work to be performed.** Use of the power tool for operations different from those intended could result in a hazardous situation.

#### **5) SERVICE**

- a) **Have your power tool serviced by a qualified repair person using only identical replacement parts.** This will ensure that the safety of the power tool is maintained.

### **Additional Safety Instructions for Rotary Hammers**

- **Wear ear protectors.** Exposure to noise can cause hearing loss.
- **Use auxiliary handle(s), if supplied with the tool.** Loss of control can cause personal injury.
- **Hold power tool by insulated gripping surfaces, when performing an operation where the cutting accessory may contact hidden wiring or its own cord.** Cutting accessory contacting a "live" wire may make exposed metal parts of the power tool "live" and could give the operator an electric shock.

### **Residual Risks**

The following risks are inherent to the use of rotary and chipping hammers:

- Injuries caused by touching the rotating parts or hot parts of the tool

In spite of the application of the relevant safety regulations and the implementation of safety devices, certain residual risks cannot be avoided. These are:

- Impairment of hearing.
- Risk of squeezing fingers when changing the accessory.
- Health hazards caused by breathing dust developed when working in concrete and/or masonry.



## Markings on Tool

The following pictograms are shown on the tool:



Read instruction manual before use.



Wear ear protection.



Wear eye protection.



40 Nm

Clutch Setting 40 Nm is designed for most drilling applications



80 Nm

Clutch Setting 80 Nm is designed for higher torque applications



Red service indicator LED. For detailed description see under **Service Indicator LED's**.



Yellow service indicator LED. For detailed description see under **Service Indicator LED's**.

### DATE CODE POSITION (FIG. 1)

The Date Code (w), which also includes the year of manufacture, is printed into the housing.

Example:

2010 XX XX

Year of Manufacture

## Package Contents

The package contains:

- 1 Rotary hammer
- 1 Side handle
- 1 Kitbox (K-models only)
- 1 Instruction manual
- 1 Exploded drawing
- Check for damage to the tool, parts or accessories which may have occurred during transport.
- Take the time to thoroughly read and understand this manual prior to operation.

## Description (fig. 1a, 1b, 2a–c)



**WARNING:** Never modify the power tool or any part of it. Damage or personal injury could result.

- a. Trigger switch (D25501, D25601, D25602, D25603)
- b. Lock-on slider (D25601, D25602, D25603)
- c. Side handle
- d. Main handle
- e. Active vibration control (D25601, D25602, D25603)
- f. Mode selector switch
- g. Electronic speed and impact control dial (D25601, D25602, D25603)
- h. Clamp wheel
  - i. Rear side handle position
  - j. Side handle clamp
- k. Steel ring
  - l. Bush
- m. Tool holder
- n. Depth rod release button
- o. Depth rod
- p. Locking sleeve
- q. Pin
- x. Collar

### INTENDED USE

#### D25501, D25601, D25602, D25603

Your rotary hammer has been designed for professional rotary drilling and chipping applications.

**DO NOT** use under wet conditions or in presence of flammable liquids or gases.

These hammers are professional power tools.

**DO NOT** let children come into contact with the tool. Supervision is required when inexperienced operators use this tool.

## Soft Start Feature

#### D25601, D25602, D25603

The soft start feature allows the speed to build up slowly, thus preventing the drill bit from walking off the intended hole position when starting.

The soft start feature also reduces the immediate torque reaction transmitted to the gearing and the operator if the hammer is started with the drill bit in an existing hole.

## Electronic Speed and Impact Control (fig. 1, 3)

### D25601, D25602, D25603

The electronic speed and impact control (g) offers the following advantages:

- use of smaller accessories without risk of breakage;
- minimised break-out when chiselling or drilling in soft or brittle materials;
- optimal tool control for precise chiselling.

## Torque Limiting Clutch

The torque limiting clutch reduces the maximum torque reaction transmitted to the operator in case of jamming of a drill bit. This feature also prevents the gearing and electric motor from stalling. The torque

limiting clutch has been factory-set and cannot be adjusted.

## Complete Torque Control (fig. 3)

### D25602, D25603

**NOTICE:** Always turn the tool off before changing torque control settings or damage to tool may result.

The Complete Torque Control (CTC) feature of this tool is designed to provide additional control with a two-stage clutch mechanism. Refer to **Setting the Torque Control Switch** for more information.

## Adaptive Drill Control (ADC)

### D25603 (FIG. 3)

The D25603 is equipped with an adaptive drill control. This feature senses the motion of tool and reduces the motor torque to a manageable level if necessary. The red indicator LED (r) will illuminate to indicate status.

**NOTE:** If tool power is insufficient for normal drilling and the red LED indicator does not flash, take the tool to an authorized DEWALT repair center.

## Service Indicator LEDs (fig. 3)

### D25601, D25602, D25603

The yellow brushwear indicator LED (s) lights up when the carbon brushes are nearly worn out to indicate that the tool needs servicing within the next 8 hours of use.

### D25601, D25602, D25603

The red service indicator LED (r) lights up if the lock-on button (b) is used in any mode except the chipping mode. In all models with the adaptive drill control (ADC), the red indicator LED (r) lights up if the ADC is engaged. The red indicator starts to flash if there is a fault with the tool or the brushes have completely worn out (refer to **Brushes** under **Maintenance**).

## Fully Vibration-dampened Main Handle (fig. 1)

### D25601, D25602, D25603

The dampers in the side handle (c) absorb the vibrations transmitted to the user. This improves user comfort during the operation.

## Electrical Safety

The electric motor has been designed for one voltage only. Always check that the power supply corresponds to the voltage on the rating plate.



Your DEWALT tool is double insulated in accordance with EN 60745; therefore no earth wire is required.

If the supply cord is damaged, it must be replaced by a specially prepared cord available through the DEWALT service organisation.

## Using an Extension Cable

An extension cord should not be used unless absolutely necessary. Use an approved extension cable suitable for the power input of this tool (see technical data). The minimum conductor size is 1 mm<sup>2</sup>; the maximum length is 30 m.

When using a cable reel, always unwind the cable completely.

## ASSEMBLY AND ADJUSTMENTS



**WARNING:** To reduce the risk of injury, turn unit off and disconnect machine from power source before installing and removing accessories, before adjusting or changing set-ups or when making repairs. Be sure the trigger switch is in the OFF position. An accidental start-up can cause injury.



**WARNING:** Tool bits may be hot and gloves should be worn when changing or removing them to avoid personal injury.

## Assembling and Fitting the Side Handle (fig. 2A, 2B)

The side handle (c) can be mounted in front or in rear position on either side of the machine to suit both RH- and LH-users.



**WARNING:** Always operate the tool with the side handle properly assembled.

### D25501, D25601, D25602, D25603

#### MOUNTING IN FRONT POSITION (FIG. 2A)

1. Snap the steel ring (k) over the collar (x) behind the tool holder (m). Squeeze both ends together, mount the bush (l) and insert the pin (q).
2. Place the side handle clamp (j) and screw on the clamp wheel (h). Do not tighten.



**WARNING:** Once assembled, the side handle clamp should never be removed.

3. Screw the side handle (c) into the bush (l) and then into clamp wheel. Tighten securely.
4. Rotate the side handle mounting assembly to the desired position. For drilling horizontally with a heavy drill bit, we recommend to place the side handle at an angle of approx. 20° for optimum control.
5. Lock the side handle mounting assembly in place by tightening the clamp wheel (h).

#### MOUNTING IN REAR POSITION (FIG. 2B)

The rear position is particularly useful when drilling down into a floor.

1. Unscrew the side handle (c) and remove it from the front position. Leave the side handle mounting assembly in front position.
2. Screw the side handle directly into one of the rear side handle positions (l) on either side of the tool.

## Inserting and Removing SDS Max™ Accessories (fig. 1, 4A, 4B)

This machine uses SDS Max® bits and chisels (refer to the inset in figure 4B for a cross-section of an SDS Max® bit shank).

1. Clean the bit shank.
2. Pull back the locking sleeve (p) and insert the bit shank.

3. Turn the bit slightly until the sleeve snaps into position.
4. Pull on the bit to check if it is properly locked. The hammering function requires the bit to be able to move axially several centimetres when locked in the tool holder.
5. To remove a bit pull back the tool holder locking sleeve/collar (p) and pull the bit out of the tool holder.

## Selecting the Operating Mode (fig. 1)



### Hammerdrilling:

D25501, D25601, D25602, D25603 for concrete, brick, stone and masonry drilling operations.



### Hammering only:

D25501, D25601, D25602, D25603, for chiselling and demolition applications. In this mode the tool can also be used as a lever to free a jammed drill bit.

1. To select the operating mode, rotate the mode selector switch (f) until it points to the symbol of the required mode.  
It may be necessary to twist the tool holder (m) slightly to allow the mode selector switch (f) to pass the **0** position.
2. Check that the mode selector switch (f) is locked in place.

## Indexing the Chisel Position (fig. 5)

### D25501, D25601, D25602, D25603

The chisel can be indexed and locked into 18 different positions.

1. Rotate the mode selector switch (f) until it points towards the **0** position.
2. Rotate the chisel in the desired position.
3. Set the mode selector switch (f) to the “hammering only” position.
4. Twist the chisel until it locks in position.

## Setting the Electronic Speed and Impact Control Dial (fig. 1, 3)

### D25601, D25602, D25603

Turn the dial (g) to the desired level. Turn the dial upwards for higher speed and downwards for lower speed. The required setting is a matter of experience. E.g.:

- when chiselling or drilling in soft, brittle materials or when minimum break-out is required, set the dial to a low setting;
- when breaking or drilling in harder materials, set the dial to a high setting.

## Setting the Torque Control Switch (fig. 3)

### D25602, D25603

**NOTICE:** Always turn the tool off before changing torque control settings or damage to the tool may result.

Move the torque control lever (t) to setting 40 Nm or 80 Nm as needed for application.

Clutch Setting 40 Nm (u) is designed for most drilling applications and is designed to easily clutch out when the drill bit encounters re-bar or other foreign substances.

Clutch Setting 80 Nm (v) is designed for higher torque applications such as core-bits and deep hole drilling and is designed to clutch out at a higher torque threshold.

**NOTE:** Allow the motor housing to rotate a little while changing torque.

Each time the tool is plugged in, it will automatically default to clutch setting 1 into clutch setting 40 Nm (u), the most sensitive setting.

## Depth Rod (fig. 1)

### D25501, D25601, D25602, D25603

#### TO ADJUST THE DEPTH ROD

1. Push in and hold the depth rod release button (n) on the side handle.
2. Move the depth rod (o) so the distance between the end of the rod and the end of the bit equals the desired drilling depth.
3. Release the button to lock rod into position. When drilling with the depth rod, stop when end of rod reaches surface of material.

## OPERATION Instructions for Use



**WARNING:** Always observe the safety instructions and applicable regulations.



**WARNING:** To reduce the risk of serious personal injury, **turn tool off and disconnect tool from power source before making any adjustments or removing/installing attachments or accessories.**



**WARNING:** Tool bits may be hot and gloves should be worn when changing or removing them to avoid personal injury.



**WARNING:**

- Be aware of the location of pipework and wiring.
- Apply only a gentle pressure to the tool (approx. 20 kg). Excessive force does not speed up drilling but decreases tool performance and may shorten tool life.
- Always hold the tool firmly with both hands and ensure a secure stance. Always operate the tool with the side handle properly assembled.

**NOTE:** Operating temperature of the D25501 is (-7 to +40° C (19° to 104° F). Using the tool outside of this temperature range will decrease the life of the tool.

## Proper Hand Position (fig. 6)



**WARNING:** To reduce the risk of serious personal injury, **ALWAYS** use proper hand position as shown.



**WARNING:** To reduce the risk of serious personal injury, **ALWAYS** hold securely in anticipation of a sudden reaction.

Proper hand position requires one hand on the side handle (c), with the other hand on the main handle (d).

## Switching On and Off (fig. 1)

### D25501, D25601, D25602, D25603

To turn the tool on, depress the trigger switch (a).

To stop the tool, release the trigger switch.

### D25601, D25602, D25603

The lock-on slider (b) allows the trigger switch (a) to be locked on in chiselling mode only. If the lock-on

button is activated in drilling mode, as a feature the tool will switch off automatically.

To turn the tool on, press the trigger switch (a).

To stop the tool, release the switch.

For continuous operation, press and hold down the switch (a), slide the lock-on button (b) upwards and release the switch.

To stop the tool in continuous operation, press the switch briefly and release it. Always switch off the tool when work is finished and before unplugging.

## Hammerdrilling

To turn the tool on, press the on/off switch (a).

To stop the tool, release the switch.

## Drilling with a Solid Bit (fig. 1)

**D25501, D25601, D25602, D25603**

1. Insert the appropriate drill bit.
2. Set the mode selector switch (f) to the hammerdrilling position.
3. D25601, D25602, D25603 only: Set the electronic speed and impact control dial (g).
4. Fit and adjust the side handle (c).
5. Mark the spot where the hole is to be drilled.
6. Place the drill bit on the spot and switch on the tool.
7. Always switch off the tool when work is finished and before unplugging.

## Drilling with a Core Bit (fig. 1)

1. Insert the appropriate core bit.
2. Assemble the centerdrill into the core bit.
3. Set the mode selector switch (f) to the hammerdrilling position.
4. D25601, D25602, D25603 only: Turn the electronic speed and impact control dial (g) to a medium or high speed setting.
5. Fit and adjust the side handle (c).
6. Place the centerdrill on the spot and switch on the tool. Drill until the core penetrates into the concrete approx. 1 cm.
7. Stop the tool and remove the centerdrill. Place the core bit back into the hole and continue drilling.

8. When drilling through a structure thicker than the depth of the core bit, break away the round cylinder of concrete or core inside the bit at regular intervals.

To avoid unwanted breaking away of concrete around the hole, first drill a hole the diameter of the centerdrill completely through the structure. Then drill the cored hole halfway from each side.

9. Always turn the tool off when work is finished and before unplugging.

## Chipping and Chiselling (fig. 1)

**D25501, D25601, D25602, D25603**

1. Insert the appropriate chisel and rotate it by hand to lock it into one of 18 positions.
2. Set the mode selector switch (f) to the hammering only position.
3. D25601, D25602, D25603 only: Set the electronic speed and impact control dial (g).
4. Fit and adjust the side handle (c).
5. Turn the tool on and start working.
6. Always turn the tool off when work is finished and before unplugging.

## MAINTENANCE

Your DEWALT power tool has been designed to operate over a long period of time with a minimum of maintenance. Continuous satisfactory operation depends upon proper tool care and regular cleaning.



**WARNING: To reduce the risk of injury, turn unit off and disconnect machine from power source before installing and removing accessories, before adjusting or changing set-ups or when making repairs.** Be sure the trigger switch is in the OFF position. An accidental start-up can cause injury.

This machine is not user-serviceable. Take the tool to an authorised DEWALT repair agent after approximately 150 hours of use. If problems occur before this time contact an authorised DEWALT repair agent.

## Brushes (fig. 3)

The carbon brushes are not user-serviceable. Take the tool to an authorized DEWALT repair agent.

The yellow brushwear indicator LED (r) lights up when the carbon brushes are nearly worn out. After a further 8 hours of use or after the brushes have completely worn out the motor will automatically be shut off.

Tool maintenance needs to be carried out as soon as the service indicator (s) lights up.



## Lubrication

Your power tool requires no additional lubrication.



## Cleaning



**WARNING:** Blow dirt and dust out of the main housing with dry air as often as dirt is seen collecting in and around the air vents. Wear approved eye protection and approved dust mask when performing this procedure.



**WARNING:** Never use solvents or other harsh chemicals for cleaning the non-metallic parts of the tool. These chemicals may weaken the materials used in these parts. Use a cloth dampened only with water and mild soap. Never let any liquid get inside the tool; never immerse any part of the tool into a liquid.

## Optional Accessories



**WARNING:** Since accessories, other than those offered by DEWALT, have not been tested with this product, use of such accessories with this tool could be hazardous. To reduce the risk of injury, only DEWALT, recommended accessories should be used with this product.

Various types of SDS Max® drill bits and chisels are available as an option.

Consult your dealer for further information on the appropriate accessories.

## Protecting the Environment



Separate collection. This product must not be disposed of with normal household waste.

Should you find one day that your DEWALT product needs replacement, or if it is of no further use to you, do not dispose of it with household waste. Make this product available for separate collection.



Separate collection of used products and packaging allows materials to be recycled and used again. Re-use of recycled materials helps prevent environmental pollution and reduces the demand for raw materials.

Local regulations may provide for separate collection of electrical products from the household, at municipal waste sites or by the retailer when you purchase a new product.

DEWALT provides a facility for the collection and recycling of DEWALT products once they have reached the end of their working life. To take advantage of this service please return your product to any authorised repair agent who will collect them on our behalf.

You can check the location of your nearest authorised repair agent by contacting your local DEWALT office at the address indicated in this manual. Alternatively, a list of authorised DEWALT repair agents and full details of our after-sales service and contacts are available on the Internet at: [www.2helpU.com](http://www.2helpU.com).

# SDS MAX 电锤

## D25501, D25601, D25602, D25603

### 祝贺您!

您已选择了得伟工具。凭借多年的经验和在产品开发与创新方面的不断努力，得伟已经成为专业电动工具用户的最可靠伙伴之一。

### 技术数据

		D25501	D25601	D25602	D25603
电压 (A9)	伏	220-240	220-240	230	230
类型		2	2	2	2
输入功率	瓦	1100	1250	1250	1250
冲击能量	J	11	1.5-13	2-14	2-14
混凝土中总钻孔范围:					
实心钻头	毫米	12-40	12-45	12-45	12-45
取芯钻头	毫米	40-90	40-100	40-100	40-100
混凝土中最佳钻孔范围:					
实心钻头	毫米	18-26	25-35	25-35	25-35
凿子位置		18	18	18	18
夹头类型		SDS Max®	SDS Max®	SDS Max®	SDS Max®
重量	千克	6.15	6.8	6.9	6.95
<hr/>					
$L_{PA}$ (声压)	dB(A)	94	92	93	93
$K_{PA}$ (声压不确定)	dB(A)	3	3	3	3
$L_{WA}$ (声音功率)	dB(A)	104	103	104	104
$K_{WA}$ (声压不确定)	dB(A)	3	3	3	3
<hr/>					
总振动值（三轴矢量和）根据EN 60745决定:					
振动发射值 $a_h$					
在金属材料上钻孔					
振动发射值 $a_{h,HD} =$	$m/s^2$	18.3	9.2	9.1	9.1
不确定性 $K =$	$m/s^2$	1.8	1.5	1.6	1.6
<hr/>					
振动发射值 $a_h$					
凿切					
振动发射值 $a_{h,Cheq} =$	$m/s^2$	13.2	7.2	7.4	7.4
不确定性 $K =$	$m/s^2$	1.6	1.5	1.6	1.6

上述表格中的振动辐值是根据EN60745标准中的标准测试方法进行测量的，可用于两种型号工具的对比。该值可以用来初步评价工具的振动危害。



**警告：**本手册提供的振动幅值只反映工具在主要应用场合的振动程度，如果该工具被用于其他用途、配置不同的附件或维护不当，其振动辐值可能不同。这些情况可能会在工具整个使用期间逐渐显露。

在评估振动时还应考虑工具停机及空载运行时间，这种情况可能会显著降低工具在整个使用期间内的振动。

另外制定安全措施，保护操作者免受振动的影响，例如：维护工具及其附件、手部保暖、合理安排作业时间。

## 定义：安全准则

下列定义描述了各警示标志的严重程度。请仔细阅读本手册并注意这些标志。



**危险：**表示紧急的危险情形，如不可避免，将导致**死亡或严重伤害**。



**警告：**表示潜在的危险情形，如不可避免，可能导致**死亡或严重伤害**。



**注意：**表示潜在的危险情形，如不可避免，可能导致**轻度或中度伤害**。

**注意：**不带安全警示标志，表示潜在的危险情形，如不可避免，可能导致**财产损失**。



表示电击的危险。



表示火灾的危险。



**警告：**为了降低伤害风险，请阅读本手册说明。

## 一般安全规则



**警告！**请阅读所有的安全警告和说明。不遵循其警告和说明使用工具可能导致触电、火灾和/或严重伤害事故的发生。

请保存所有的警告和说明以备参考

本警告中的术语“电动工具”指使用电网电源供电的（有绳）电动工具或充电式（无绳）电动工具。

### 1) 工作场地

- 保持工作场地清洁和明亮。**混乱和黑暗的场地会引发事故。
- 请勿在易爆环境，如有易燃液体、气体或粉尘的环境下操作电动工具。**电动工具产生的火花会点燃粉尘或气体。
- 操作电动工具时请远离儿童和旁观者。**注意力不集中会导致工具失控。

### 2) 电气安全

- 电动工具插头必须与插座相配。请勿以任何方式改装插头。**需接地的电动工具不能使用任何转换插头。原装的插头和相配的插座将减少触电危险。
- 避免人体接触接地表面，如管道、散热片和冰箱。**身体接地会增加触电危险。
- 请勿将电动工具暴露在雨中或潮湿环境中。**电动工具接触水将增加触电危险。
- 请勿滥用电源线。绝不能用电源线搬运、拉动电动工具或拔出其插头。**让电源线远离热、油、锐边或运动部件。受损或缠绕的电源线会增加触电危险。
- 当在户外使用电动工具时，请使用适合户外使用的延长电线。**适合户外使用的电线将减少触电危险。
- 如果在潮湿的环境中使用电动工具，请使用漏电保护装置(RCD)，使用此装置可降低触电危险。



### 3) 人身安全

- a) **保持警觉，当操作电动工具时关注所从事的操作并保持清醒。**切勿在有疲倦、药物、酒精或治疗反应下操作电动工具。在操作电动工具期间精力分散会导致严重人身伤害。
- b) **使用安全装置，始终配戴护目镜。**在适当条件下使用防尘面具、防滑安全鞋、安全帽、听力防护等装置能减少人身伤害。
- c) **避免意外起动。确保工具在接入电源/电池、携带时开关处于关闭状态。**手指放在已接通电源的开关上或开关处于接通时插入电源可能会导致危险。
- d) **在电动工具起动之前，取掉所有调节钥匙或扳手。**遗留在电动工具旋转零件上的扳手或钥匙会导致人身伤害。
- e) **不要超越操作距离。**时刻注意身体平衡，这样在意外情况下能更好地控制电动工具。
- f) **合理着装，操作工具时不要穿宽松衣服或佩带饰品。**让你的头发、衣服和袖子远离运动部件。宽松服装、佩饰或长发可能会卷入运动部件。
- g) **如果电动工具提供了与排屑装置、集尘设备连接用的装置，则确保他们连接完好且使用得当。**使用这些装置可减少碎屑引起的危险。

### 4) 电动工具使用和注意事项

- a) **不要滥用电动工具，根据用途选用适当的电动工具。**合适的电动工具能在其额定的参数下更好更安全的完成作业。
- b) **如果开关不能接通或关闭工具电源，则不能使用该电动工具。**不能用开关来控制的电动工具是危险的且必须进行修理。
- c) **在进行任何调节、更换附件或存放电动工具之前，必须从电源上拔掉插头和/或将电池盒脱开。**这种防护性措施将减少电动工具意外起动的危险。
- d) **将闲置电动工具贮存在儿童所及范围之外，并且不要让不熟悉电动工具或对这**

些说明不了解的人操作电动工具。电动工具在未经培训的用户手中是危险的。

- e) **对电动工具进行维护。检查运动部件的安装偏差、零件破损情况和影响电动工具运行的其它条件。**如有损坏，电动工具必须在使用前修理好。许多事故是由于维护不良而引发。
- f) **保持刀具具有良好锋利的切削刃，**这样工具不易卡死且易控制。
- g) **按照作业条件和工况情况，同时参照本说明书合理使用工具，附件及刀具。**电动工具用作那些与要求不符的操作可能会导致危险情况。

### 5) 维修

- a) **电动工具的维修必须由专业维修人员完成，且只能更换使相同规格的部件。**这样能确保所维修的电动工具的安全性。

## 电锤附加安全指引

- **戴好耳罩。**暴露在噪声中会引起听力损伤。
- **使用随工具提供的辅助手柄。**操作失手会引起人身伤害。
- **钻具可能接触隐藏的电线或工具本身的电源线时，请仅仅握住绝缘手柄表面。**钻具如果接触到“带电”导线，工具金属部件表面就会“带电”并使操作人员触电。

## 残留风险

使用电锤和凿平时固有如下风险：

- 接触工具旋转部分或高温部分时，可能造成伤害。

即使遵守相关安全法规并采用安全装备，仍不能避免如下特定残余风险：

- 听力损伤
- 更换配件时挤伤手指的风险
- 在混凝土和/或砖石结构上工作时，因吸入粉尘而危及健康。

## 工具上的标识

工具有如下图标提示：



使用前请仔细阅读说明书



请佩戴听力防护装置



请佩戴护目装置



40牛顿米的离合器设定适合大部分钻孔作业



80牛顿米的离合器设定适合更高扭矩作业



红色LED维修指示灯。详细说明见下文  
**LED维修指示灯**



黄色LED维修指示灯。详细说明见下文  
**LED维修指示灯**

## 日期码的位置(图1)

日期码 ( w ) 也包含制造年份。它被印刷在工具外壳上。

例如：

2010 XX XX  
制造年份

## 套装内容

本套装包括：

电钻/锤钻	1台
侧手柄	1个
工具箱	1个 ( 仅限于K版 )
说明手册	1本
分解图	1份

- 检查工具、部件或配件是否在运输过程中损坏。
- 使用前，请抽空彻底阅读并掌握本手册内容。

## 描述 ( 图1a、1b、2a-c )



**警告：**禁止改造工具或其任何部分，否则会导致人身伤害或工具损坏。

- 触发开关  
(D25501、D25601、D25602、D25603 )
- 锁定式滑动拨杆  
(D25601、D25602、D25603)
- 侧手柄
- 主手柄
- 主动式振动控制  
(D25601、D25602、D25603)
- 模式选择开关
- 速度及冲击性能电子控制盘  
(D25601、D25602、D25603 )
- 夹紧轮
- 后侧手柄位
- 侧手柄卡子
- 钢环
- 套管
- 夹头
- 深度杆释放按钮
- 深度杆
- 锁定套筒
- 销子
- 轴环

## 设计用途

### D25501、D25601、D25602、D25603

这些电锤是为专业锤钻和凿凿而设计的。

**禁止**在潮湿或存在易燃液体、气体的环境中使用本工具。

这些电锤是专业型电动工具。

**禁止**儿童接触工具。无使用经验的人必须在监督下使用。

## 软启动特性

### D25601、D25602、D25603

通过软启动特性，可以逐步加速，从而防止启动工具时钻头从钻孔位置弹开。

如果钻头在已有孔中启动工具，软启动特性还能够降低传递到齿轮机构和操作人员的即时反应力矩。

## 速度和冲击性能电子控制 (图1、3)

### D25601、D25602、D25603

速度和冲击性能电子控制具有如下优点：

- 采用较小配件，而无折断风险；
- 在软性或脆性材料上平整或钻孔时，能够尽可能避免破裂；
- 实现精确平整时的最佳工具控制；

## 限制扭矩离合器

钻头被卡住时，限制扭矩离合器能够降低传递到操作人员的反应扭矩。本特性还能够防止齿轮和马达停转。限制扭矩离合器在出厂时已经设定好，不能调整。

## 全扭矩控制（图3）

### D25602、D25603

**注意：**改变扭矩控制的设定前，务必关闭工具，否则会损坏工具。

本工具的全扭矩控制（CTC）特性是通过两级离合器机构，提供额外的控制功能。更多信息见“扭矩控制开关的设定”。

## 自适应钻孔控制（ADC）

### D25603 (图3)

D25603型号设计有自适应钻孔控制功能。本特性可感知工具的运动情况，在必要时将马达扭矩降至可控水平。指示其工作状态时，红色LED指示灯（r）将发光。

**说明：**如果正常钻孔时工具出力不足，而红色LED指示灯不闪烁，请将工具交授权DEWALT维修中心维修。

## 维修LED指示灯（图3）

### D25601、D25602、D25603

碳刷即将磨穿时，黄色的碳刷磨损LED指示灯亮，意味着在此后8小时使用过程中需要维护工具。

### D25601、D25602、D25603

在除平整模式以外的任何模式下使用锁定按钮（b）时，红色LED指示灯（r）亮。在所有含自适应钻孔控制功能(ADC)的模式下，如果启动ADC，则红色LED指示灯（r）亮。工具出现故障或碳刷完全磨穿时，红色指示灯闪烁（见“维护”部分的“碳刷”内容）。

## 全减震式主手柄（图1）

### D25601、D25602、D25603

侧手柄（c）中的减震器能够吸收向操作人员传递的振动。这提高了操作舒适性。

## 电气安全

电动马达仅设计为一种电压。请务必检查电源电压与工具铭牌上的电压是否一致。



您的DEWALT电动工具依据EN60745进行双重绝缘。因此，不需要接地线。

如果电源线损坏，必须采用DEWALT维修机构提供的专用线来更换。

## 使用延长线

如非必要，请勿使用延长线。请用经认可的延长线，并且符合工具的电源输入（见技术数据）。延长线的电线导体部分尺寸应不小于1平方毫米，最大电线长度为30米。

使用电缆卷轴架时，请始终完全松开电缆。

## 组装与调整



**警告：**为降低伤害风险，在安装或拆卸配件、调整或改变设定、或维修时，请关闭工具并断开与电源的连接。确保触发开关在OFF位置。意外启动会造成人身伤害。



**警告：**钻头可能很烫，在更换或拆卸时应佩戴手套，以避免人身伤害。

## 安装侧手柄（图2A、2B）

侧手柄(c)可安装于工具任一侧的前位或后位，无论是惯用左手或右手的人均可方便使用。



**警告：**请务必在妥善安装侧手柄的条件下使用工具。

### D25501、D25601、D25602、D25603

#### 前位安装（图2A）

1. 把钢环（k）套入夹头（m）后的轴环（x）上。把两端挤在一起，安装套管（l）并插入销子（q）。
2. 把侧手柄卡子（j）和螺钉放在夹紧轮（h）上。不要拧紧。



**警告：**一旦装好，不得再拆卸侧手柄卡子。

3. 把侧手柄（c）旋入套管（l）后，旋入夹紧轮。拧紧。
4. 把侧手柄安装组件旋转到需要的位置。采用重型钻头水平钻孔时，建议把侧手柄定位约200的角度，以实现最佳控制。
5. 紧固夹紧轮（h），把侧手柄安装组件锁定到位。

#### 后位安装（图2B）

向下钻地板时，后位侧手柄尤其方便。

1. 旋开侧手柄（c），从前位上取下。把侧手柄安装组件留在前位上。
2. 把侧手柄直接旋入工具某一侧的后位（i）上。

## SDS Max™ 配件的插入与拆卸（图1、4A、4B）

本工具使用SDS Max® 钻头和凿头（SDS Max® 柄横截面见图4b中的插图）。

1. 清洁钻头柄。
2. 把锁定套筒（p）往回拉，插入钻头柄。
3. 稍稍转动钻头，直至套筒啮合到位。
4. 试拉钻头，检查是否正确锁定。使用锤钻功能时，锁定在夹头中的钻头能够轴向移动几厘米。
5. 要拆卸钻头时，将夹头锁定套筒/轴环（p）往回拉，然后把钻头拉出夹头。

## 选择操作模式（图1）



锤钻

D25501、D25601、D25602、D25603  
用于混凝土、砖块、石头和砖石结构上钻孔



仅锤功能

D25501、D25601、D25602、D25603  
用于整平和破拆作业。本模式下，本工具还可用作杠杆，释放被卡住的钻头。

1. 要选择操作模式，旋转模式选择开关（f），直至开关指向所需模式标志。可能需要少许扭动夹头（m），以便模式选择开关（f）通过 **0** 位。
2. 检查模式选择开关（f）是否锁定到位。

## 凿齿位置分度（图5）

### D25501、D25601、D25602、D25603

凿齿功能可分级锁定在18个不同位置。

1. 旋转模式选择开关（f），直至开关指向 **0** 位。
2. 把凿齿旋转到所需位置。
3. 把模式选择开关（f）设定到“仅锤击”位置。
4. 扭动凿齿，直至锁定到位。

## 速度及冲击性能电子控制盘的设定（图1、3）

### D25601、D25602、D25603

把盘（g）旋转至所需档位。向上转速度加快，向下转速度降低。如何设定要靠经验。例如：

- 在软、脆材料上平整作业，或要求尽可能避免破裂时，把盘设定到低速。
- 在较硬材料上破拆或钻孔作业时，把盘设定到高速。

## 扭矩控制开关的设定（图3）

### D25602、D25603

注意：改变扭矩控制的设定前，务必关闭工具，否则会损坏工具。

根据需要，把扭矩控制杆（t）移动到40牛顿米或80牛顿米。

40牛顿米（u）的离合器设定适合大部分钻孔目的。当钻头遇到钢筋或其它异物时，离合器可以轻易脱开。

80牛顿米（v）的离合器设定适合较高扭矩，例如取芯钻、深孔钻等。其脱开扭矩较高。

注意：改变扭矩时，允许马达外壳少许转动。

每次插入工具电源插头时，工具自动默认离合器设定1，即40牛顿米（u），为最敏感设定。

## 深度杆（图1）

### D25501、D25601、D25602、D25603

#### 调整深度杆

1. 按下侧手柄上的深度杆释放按钮（n），不要松开。
2. 移动深度杆（o），使杆末端至钻头末端的距离等于所需钻孔深度。
3. 松开按钮，锁定杆的位置。带深度杆钻孔时，在杆末端抵达材料表面时，应停止钻孔。

## 操作

### 使用须知



**警告：**请始终遵守安全指示及相关条例。



**警告：**为降低伤害风险，在安装或拆卸配件、附件，或进行调整前，请关闭工具并断开与电源的连接。



**警告：**钻头可能很烫，在更换或拆卸时应佩戴手套，以避免人身伤害。



**警告：**

- 注意管道和电线的位置。
- 仅对工具轻柔用力（大约20千克）。用力过度不仅不能提高钻孔速度，而且会降低工具性能、缩短工具寿命。
- 始终双手握紧工具，确保姿势安稳。每次操作工具前，应确保侧手柄妥善装好。

**注意：**D25501的工作温度为(-7至+40° C (19° to 104° F)。超出该范围使用时，会降低工具寿命。

## 手的适当位置（图6）



**警告：**为避免严重的人身伤害，请始终采取图示的正确手法。



**警告：**为避免严重的人身伤害，请始终以预期突发反作用的态度紧握工具。

手的正确姿势为一只手放在侧手柄（c）上，另一只手放在主手柄（d）上。

## 启动与关闭（图1）

### D25501、D25601、D25602、D25603

要启动工具，按下触发开关（a）即可。

要关闭工具，释放触发开关即可。

### D25601、D25602、D25603

锁定式滑动拨杆(b)可以把触发开关（a）锁定到仅整模式。如果在钻孔模式下触动锁定按钮，工具将自动关闭。

要启动工具，按下触发开关（a）即可。

要关闭工具，释放触发开关即可。

要连续运行，按下触发开关（a）不要松开，然后向上滑动锁定按钮（b），再释放开关。

要在连续运行状态下关闭工具，按下并即时释放开关。使用完毕后拔掉插头前，请务必将工具开关关闭。

## 锤钻

要启动工具，按下on/off开关（a）即可。

要关闭工具，释放触发开关即可。

## 使用实心钻头钻孔（图1）

D25501, D25601, D25602, D25603

1. 插入合适的钻头。
2. 把模式选择开关(f)设定在锤钻位置。
3. 仅限D25601, D25602, D25603: 设定速度及冲击性能电子控制盘(g)。
4. 安装并调整侧手柄（c）。
5. 标记钻孔点。
6. 把钻头置于钻孔点上，接通工具开关。
7. 使用完毕后拔掉插头前，请务必将工具开关关闭。

## 使用取芯钻头钻孔（图1）

1. 插入合适的钻头
2. 把中心钻安装到取芯钻头上。
3. 把模式选择开关(f)设定在锤钻位置。
4. 仅限D25601, D25602, D25603: 把速度及冲击性能电子控制盘(g)旋转到中、高速设定。
5. 安装并调整侧手柄（c）。
6. 把中心钻置于钻孔点上，接通工具开关。在取芯钻头进入混凝土约1厘米后停钻。停止钻孔，取下中心钻。把取芯钻头放入孔中继续钻孔。
7. 在厚度超过取芯钻头深度的结构上钻孔时，请定期断开并取出钻头内的混凝土圆柱体或芯。

8. 为避免孔周围的混凝土脱落，首先在结构上钻出直径为中心钻的通孔。然后用取芯钻头在两侧各钻一半。
9. 使用完毕后拔掉插头前，请务必将工具开关关闭。

## 凿凿作业（图1）

D25501, D25601, D25602, D25603

1. 插入合适的凿头，用手旋转，使其锁定到18个档位之一。
2. 把模式选择开关(f)设定在仅锤位置。
3. 仅限D25601, D25602, D25603: 设定速度及冲击性能电子控制盘(g)。
4. 安装并调整侧手柄（c）。
5. 接通工具，开始工作。
6. 使用完毕后拔掉插头前，请务必将工具开关关闭。

## 维护

您的DEWALT电动工具设计精良，可以长期运作，而只需极少的维护。要取得连续的令人满意的工作效果，需要您做合适的保养和定期的清洁。



**警告：为降低伤害风险，在安装或拆卸配件、调整或改变设定、或维修时，请关闭工具并断开与电源的连接。确保触发开关在停止位置。意外启动会造成人身伤害。**

本工具不可由用户进行维修。大约使用150小时后，请将工具交给授权的DEWALT 修理机构进行保养。如果在到期前发生故障，请与授权的DEWALT 修理机构联系。

## 碳刷（图3）

用户不得维修碳刷。请将工具交给授权的DEWALT 修理机构进行维修。

碳刷即将磨穿时，黄色的碳刷磨损LED指示灯（r）亮。再用8小时或碳刷完全磨穿后，马达会自动关闭。

一旦保养指示灯（s）亮，应立即保养工具。



## 润滑

本电动工具无须另行润滑。



## 清洁



**警告：**一旦通风口及其周围积聚可见的粉尘，请即用干燥的压缩空气吹走主机外壳内的粉尘和灰尘。进行这一步骤时，请佩戴经认可的护目装备和认可的面罩。



**警告：**切勿使用溶剂或其它刺激性化学品来清洁工具的非金属部件。这些化学品可能削弱零件中使用的材料。只能使用抹布蘸中性肥皂水进行清洁。勿使任何液体进入工具；勿使工具的任何部分浸入液体中。

## 配件的选择



**警告：**由于非DEWALT配件未经本产品匹配测试，本工具若使用此类配件，将存在隐患。为降低人身伤害风险，本产品仅可使用DEWALT推荐的配件。

各种类型的SDS Max®和凿齿可供选择。

请向零售商咨询合适配件的更多信息。

## 保护环境



分类回收。此类产品不得和普通生活垃圾一起处理。

当您需要更换或不再使用DEWALT产品时，请不要把它和生活垃圾一起处理。请把它单独分类回收。



旧产品和旧包装的分类回收使材料能够得以再循环和再利用。再循环材料的重新利用有助于防止环境污染和减少原料需求。

在市政垃圾场或您购买新产品的零售商处，地方法规可能要求电器产品与生活垃圾分开回收。

DEWALT提供设施来收集、回收使用寿命到期的DEWALT产品。要利用本服务，请将产品送往任何授权维修中心，他们代表DEWALT回收产品。

您可与本手册中的当地DEWALT地址联系，查找距离最近的授权维修中心的位置。此外，也可以登录互联网：[www.2helpU.com](http://www.2helpU.com)，查看DEWALT授权维修代理的办公室清单，以及我们售后服务的详细资料与联系方式。

制造商名称：百得德国公司

制造商地址：德国

产地：捷克

# SDS MAX 복합 및 치핑 햄머

## D25501, D25601, D25602, D25603

### 축하합니다!

DEWALT 공구를 선택해 주셔서 감사합니다. 제품 개발과 혁신을 통한 다년간의 경험은 DEWALT를 전문 전문 공구 사용자들이 가장 믿을 수 있는 기업으로 만들어 왔습니다.

### 기술 자료

		D25501	D25601	D25602	D25603
전압 (B1)	V	220-240	220-240	230	230
유형		2	2	2	2
정격 전원	W	1100	1250	1250	1250
타격력	J	11	1.5-13	2-14	2-14
콘크리트에서의 전체 드릴 작업 범위:					
솔리드 비트	mm	12-40	12-45	12-45	12-45
코어 비트	mm	40-90	40-100	40-100	40-100
콘크리트에서의 최적 드릴 작업 범위:					
솔리드 비트	mm	18-26	25-35	25-35	25-35
치출 방향 선택		18	18	18	18
공구 홀더		SDS Max®	SDS Max®	SDS Max®	SDS Max®
중량	Kg	6.15	6.8	6.9	6.95
$L_{PA}$ (음압)	dB(A)	94	92	93	93
$K_{PA}$ (음압 불확실성)	dB(A)	3	3	3	3
$L_{WA}$ (음력)	dB(A)	104	103	104	104
$K_{WA}$ (음력 불확실성)	dB(A)	3	3	3	3

총 진동 값 (triax 벡터 합계)은 EN 60745 기준에 따라 결정되었음:

진동 배출 값  $a_h$

콘크리트에서의 드릴

$a_{h,HD} =$	m/s <sup>2</sup>	18.3	9.2	9.1	9.1
불확실성 K =	m/s <sup>2</sup>	1.8	1.5	1.6	1.6

진동 배출 값  $a_h$

치즐링

$a_{h,Cheq} =$	m/s <sup>2</sup>	13.2	7.2	7.4	7.4
불확실성 K =	m/s <sup>2</sup>	1.6	1.5	1.6	1.6

이 매뉴얼에 제공된 진동 레벨은 EN 60745에서 표준화된 테스트에 따라 측정된 것이며 한 공구를 다른 공구와 비교하는 데 사용할 수 있습니다. 이는 진동 노출에 대한 예비 평가를 위해서도 사용할 수 있습니다.



**경고:** 표시한 진동 레벨은 공구를 주요 용도에 사용한 경우를 나타냅니다. 그러나 공구를 다른 액세서리와 함께 다른 용도에 사용하거나 부실하게 관리되는 경우 진동이 달라 질 수 있습니다. 이로 인해 총 작업 기간에 걸쳐 노출 레벨을 상당히 증가시킬 수 있습니다.



또한 진동에 대한 노출 레벨 추정 시 공구 전원이 꺼졌을 때 또는 작동되고 있거나 실제로 작업을 하지 않은 시간이 고려해야 합니다. 이것은 총 작업 기간에 걸쳐 노출 레벨을 대폭 감소시킬 수 있습니다.

작업자가 진동의 영향을 받지 않도록 보호하기 위하여 공구 및 액세서리의 유지관리, 손을 따뜻하게 유지, 작업 패턴의 조정 등 추가적인 안전 조치를 확인하여야 합니다.

## 정의: 안전 지침

다음 정의는 각 경고 문구의 심각도를 설명합니다. 사용 설명서를 읽고 다음과 같은 기호들에 유의하십시오.



**위험:** 절박한 위험 상태를 나타내며, 방지하지 않으면 **사망 또는 심각한 부상**을 초래합니다.



**경고:** 잠재적으로 위험한 상태를 나타내며, 방지하지 않으면 **사망 또는 심각한 부상**을 초래할 수도 있습니다.



**주의:** 잠재적으로 위험한 상태를 나타내며, 방지하지 않으면 경미하거나 **가벼운 부상**을 초래할 수 있습니다.

**참고:** 신체 부상을 초래하지 않는 경우를 나타내며, 방지하지 않으면 재산상의 손해가 발생할 수 있습니다.



감전 위험을 나타냅니다.



화재 위험을 나타냅니다.



**경고:** 부상 위험을 줄이려면 사용 설명서를 숙지하십시오.

## 전동 공구에 관한 일반 안전 경고



**경고! 안전에 관한 모든 경고 및 지시 사항을 숙지하십시오.** 경고와 지시 사항을 준수하지 않으면 감전, 화재 및/또는 심각한 부상을 초래할 수 있습니다.

**항후 참고할 수 있도록 모든 경고 및 지시 사항을 보관해두십시오.**

경고에서 사용된 “전동 공구” 라는 용어는 주 공급 전원에 의해 전기가 공급되는(코드 있음) 전동 공구 또는 충전식(코드 없음) 전동 공구를 의미합니다.

### 1) 작업 영역 안전

- a) **작업 영역을 청결하고 밝게 유지하십시오.** 혼잡하거나 어두운 작업 영역에서는 사고가 발생하기 쉽습니다.
- b) **가연성 액체, 가스 또는 먼지 등 폭발성 분위기에서 전동 공구를 사용하지 마십시오.** 전동 공구에 먼지나 연기를 발화시킬 수 있는 불꽃이 될 수 있습니다.
- c) **전동 공구를 사용하는 동안에는 어린이와 주변 사람들이 작업 영역에 가까이 들어오지 못하도록 하십시오.** 주변이 산만해져 통제력을 잃을 수 있습니다.

### 2) 전기 안전

- a) **전동 공구의 플러그는 콘센트와 형식이 일치해야 합니다.** 플러그를 어떤 방식으로든 절대 개조하지 마십시오. 접지된(지면 접지) 전동 공구와 함께 어댑터 플러그도 사용하지 마십시오. 개조되지 않은 플러그 및 형식이 일치하는 콘센트를 사용하면 감전 위험이 줄어듭니다.
- b) **파이프, 라디에이터, 렌즈 및 냉장고 등과 같이 접지된 표면에 몸이 닿지 않도록 하십시오.** 신체가 접지되어 있으면 감전 위험이 높아집니다.
- c) **전동 공구를 비 또는 습한 환경에 노출하지 않도록 주의하십시오.** 전동 공구에 물이 들어가면 감전 위험이 높아집니다.
- d) **코드를 함부로 다루지 마십시오.** 코드를 사용하여 전동 공구를 운반하거나 잡아당기거나 플러그를 빼지 마십시오. 열, 오일, 날카로운 모서리 또는 움직이는 부품에서 멀리 떨어진 장소에 코드를 보관하십시오. 코드가 손상되거나 뒤얽혀 있으면 감전 위험이 높아집니다.
- e) **전동 공구를 실외에서 사용할 때는 실외 사용에 적합한 연장 코드를 사용하십시오.** 실외 사용에 적합한 코드를 사용하면 감전 위험이 줄어듭니다.
- f) **어쩔 수 없이 습한 장소에서 전동 공구를 사용해야 하는 경우에는 누전 차단기(RCD)로 보호된 전원 공급 장치를 사용하십시오.** RCD를 사용하면 감전 위험이 줄어듭니다.

### 3) 신체 안전

- a) **전동 공구로 작업할 때는 방심하지 말고 작업에 주의하면서 상식에 따르십시오.** 피곤한 상태이거나 약물, 술, 치료제를 복용한 상태에서는 전동 공구를 사용하지 마십시오. 전동 공구를 사용하는 중에 주의력을 잃어 순간적으로 부상을 당할 수 있습니다.
- b) **신체 보호 장구를 착용하십시오.** 항상 보안경을 착용하십시오. 적합한 상황에서 방진 마스크, 미끄럼 방지 안전화, 안전모 또는 청력 보호 기구 등의 보호 장비를 사용하면 신체 부상 위험이 줄어듭니다.

- c) 의도하지 않은 장비 가동 방지. 전원 및/또는 배터리 팩에 연결한 상태로 공구를 선택 또는 운반할 때는 사전에 스위치가 꺼짐 위치에 있는지 반드시 확인하십시오. 스위치가 꺼짐 위치에 있는 상태에서 스위치에 손가락이 닿은 상태로 전동 공구를 운반하거나 전동 공구에 전원을 공급하면 사고가 발생합니다.
- d) 전동 공구를 켜기 전에 모든 조정 키 또는 렌치를 제거하십시오. 전동 공구의 회전 부품에 렌치나 키가 부착되어 있으면 부상을 당할 수 있습니다.
- e) 무리하게 팔을 뻗지 마십시오. 항상 올바른 자세로 서서 균형을 유지하십시오. 그러면 예기치 않은 상황에서 전동 공구에 대한 제어력이 향상됩니다.

- f) 적절한 의복을 착용합니다. 헐렁한 옷이나 장신구를 착용하지 마십시오. 머리카락, 옷 및 장갑이 움직이는 부품에 닿지 않도록 유의하십시오. 헐렁한 옷, 장신구 또는 긴 머리가 움직이는 부품에 걸 수 있습니다.
- g) 먼지 배출 및 집진 시설 연결을 위한 장치가 제공된 경우, 이들 장치가 연결되어 적절히 사용되고 있는지 반드시 확인하십시오. 집진 장치를 사용하면 먼지와 관련된 위험을 줄일 수 있습니다.

**4) 전동 공구 사용 및 주의 사항**

- a) 전동 공구에 무리한 힘을 가하지 마십시오. 해당 용도에 맞는 올바른 전동 공구를 사용하십시오. 올바른 전동 공구를 사용해야 설계된 속도로 작업을 더욱 안전하고 정확하게 수행할 수 있습니다.
- b) 스위치로 켜지고 꺼지지 않는 전동 공구는 사용하지 마십시오. 스위치로 제어되지 않는 전동 공구는 위험하며 수리해야 합니다.
- c) 전동 공구를 조정하거나 액세서리를 변경하거나 보관하기 전에 전원 및/또는 배터리 팩에서 플러그를 빼십시오. 이러한 예방적 안전 조치를 따라야 전동 공구가 갑자기 작동할 위험이 줄어듭니다.
- d) 사용하지 않는 전동 공구는 어린이의 손이 닿지 않는 곳에 보관하고, 전동 공구나 본 지시 사항에 익숙하지 않은 사람이 전동 공구를 절대 사용하지 못하게 하십시오. 전동 공구는 훈련을 받지 않은 사용자가 다루면 위험합니다.
- e) 전동 공구 유지 보수. 움직이는 부품의 잘못된 정렬이나 바인딩, 부품 파손 및 기타 전동 공구의 작동에 영향을 미칠 수 있는 상태가 있는지 확인하십시오.

- f) 절삭 공구를 예리하고 깨끗한 상태로 유지하십시오. 유지 보수를 올바르게 수행하여 절삭 가장자리가 예리한 절삭 공구를 사용하면 바인딩이 적고 다루기가 용이합니다.
- g) 작업 환경과 수행할 작업을 고려하여, 본 지시 사항에 따라 전동 공구, 액세서리 및 톨비트 등을 사용하십시오. 본 사용 설명서의 내용과 다른 용도로 전동 공구를 사용하면 위험한 상황이 발생할 수 있습니다.

**5) 정비**

- a) 자격을 갖춘 기술자가 동일 교체 부품을 사용하여 정비 작업을 수행해야 합니다. 그레아 전동 공구의 안전이 보장됩니다.

**로타리 햄머 관련 추가 안전 지시 사항**

- 귀 보호 장구를 착용하십시오. 소음에 노출되면 청력이 손상될 수 있습니다.
- 보조 핸들(공구와 함께 제공된 경우)을 사용하십시오. 제어력을 잃으면 신체 부상을 당할 수 있습니다.
- 절삭 액세서리가 숨겨진 배선 또는 자체 코드에 접촉할 수 있는 작업을 수행할 때는 절연된 그리핑 표면에 닿도록 하여 전동 공구를 잡으십시오. “전류가 흐르는” 전선에 접촉된 절삭 액세서리는 전동 공구의 노출된 금속 부품을 “전류가 흐르는” 상태로 만들어 작업자를 감전시킬 수 있습니다.

**기타 잔류 위험**

- 로타리 햄머 및 치핑 햄머 사용에는 다음과 같은 위험이 내재하고 있습니다.
- 공구의 회전부나 가열된 부위 접촉으로 인한 부상
- 관련된 안전 규정을 준수하고 안전 장치를 사용한다고 해도 다음 잔류 위험은 피할 수 없습니다. 이러한 위험은 다음과 같습니다.
- 청력 손상.
  - 액세서리 교체 시 손가락이 눌리는 위험.
  - 콘크리트 및/또는 석재 작업 시 발생하는 먼지 호흡으로 인한 건강 상의 위험.

## 공구에 표시된 마크

공구에는 다음과 같은 그림이 있습니다.



사용 전에 사용 설명서의 내용을 숙지하십시오.



귀 보호 장구를 착용하십시오.



보안경을 착용하십시오.



40 Nm의 클러치 설정은 대부분의 드릴 작업에 맞게 고안된 것입니다.



80 Nm의 클러치 설정은 높은 토크의 드릴 작업에 맞게 고안된 것입니다.



적색 정비 표시 LED. 자세한 설명은 **정비 표시 LED** 아래를 참조하십시오.



황색 정비 표시 LED. 자세한 설명은 **정비 표시 LED** 아래를 참조하십시오.

## 날짜 코드 위치(그림 1)

날짜 코드 (w)에는 제조년도가 포함되어 케이스에 인쇄되어 있습니다.

예:

2010 XX XX

제조년도

## 포장 상자의 내용물

포장 상자에는 다음 내용물이 들어 있습니다.

로타리 햄머 1개

보조 핸들 1개

키트 박스 1개(K 모델 전용)

사용 설명서 1개

분해도 1개

- 운반 중에 발생할 수 있는 공구, 부품 또는 액세서리의 손상 여부를 확인하십시오.
- 작동 전에 시간을 내어 본 사용 설명서를 읽고 숙지하십시오.

## 설명(그림 1a, 1b, 2a-c)



**경고:** 전공 공구 또는 전동 공구의 어떤 부품도 절대 개조하지 마십시오. 제품이 파손되거나 신체 부상을 당할 수도 있습니다.

- 트리거 스위치 (D25501, D25601, D25602, D25603)
- 잠금 슬라이더 (D25601, D25602, D25603)
- 사이드 핸들
- 기본 핸들
- 능동 진동 제어 장치 (D25601, D25602, D25603)
- 모드 선택기 스위치
- 전자식 속도 및 충격 제어 다이얼 (D25601, D25602, D25603)
- 클램프 휠
- 뒤쪽 핸들 위치
- 사이드 핸들 클램프
- 쇠고리
- 부시
- 공구 홀더
- 깊이 조절봉 릴리스 버튼
- 깊이 조절봉
- 록킹 슬라이브
- 핀
- 칼라

## 용도

### D25501, D25601, D25602, D25603

로타리 햄머는 전문가용 회전 드릴 및 치핑 작업을 위해 고안되었습니다.

습한 환경이나 가연성 액체 또는 가스가 있는 장소에서 사용하지 **마십시오**.

이 햄머는 전문적인 전동 공구입니다.

어린이가 이 공구를 만지지 **않도록 하십시오**. 경험이 없는 작업자가 이 공구를 사용할 때는 감독자의 지도가 필요합니다.

## 소프트 스타트 기능

### D25601, D25602, D25603

소프트 스타트 기능은 속도가 서서히 증가하도록 해 드릴 비트가 원하는 홀 위치를 벗어나지 않게 합니다.

소프트 스타트 기능은 또한 기존 구멍에 드릴이 박혀 있는 채로 햄머 작동이 시작될 경우 전동 장치와 작업자에게 전달되는 직접적인 토크 반작용도 줄여 줍니다.

## 전자식 속도 및 충격 제어 장치 (그림 1, 3)

### D25601, D25602, D25603

전자식 속도 및 충격 제어 장치 (g)는 다음과 같은 이점을 제공합니다.

- 파손 위험이 없는 더 작은 액세서리 사용
- 약하거나 부서지기 쉬운 자재의 치출링 또는 드릴 작업 시 파손을 최소화함
- 정확한 치출링을 위한 최상의 공구 제어

## 토크 제한 클러치

토크 제한 클러치는 드릴 비트가 걸려 움직이지 않게 된 경우 작업자에 전달되는 최대 토크 반작용을 줄여줍니다. 이 기능은 또한 전동 장치와 전기 모터가 꺼지지 않도록 방지합니다. 토크 제한 클러치는 공장 출고 시 설정되어 있으므로 조정할 수 없습니다.

## 전체 토크 제어(그림 3)

### D25602, D25603

**참고:** 토크 제한 설정을 변경하기 전에는 반드시 공구의 전원을 꺼 두십시오. 그렇지 않으면 공구가 손상될 수 있습니다.

이 공구의 전체 토크 제어(CTC) 기능은 2단 클러치 메커니즘을 통해 제어 성능을 강화하도록 설계되어 있습니다. 자세한 내용은 **토크 제어 스위치 설정**을 참조하십시오.

## 적응형 드릴 제어 기능(ADC)

### D25603 (그림 3)

D25603에는 적응형 드릴 제어 기능이 내장되어 있습니다. 이 기능은 공구의 동작을 감지하여 필요할 경우 모터 토크를 다룰 수 있는 수준으로 감소시킵니다. 상태를 나타내는 적색 표시 LED (r)이 켜집니다.

**참고:** 공구 전력이 부족해 정상적인 드릴 작업을 할 수 없고 LED 표시등이 깜빡이지 않으면 공구를 공인 DEWALT 서비스 센터로 가져가십시오.

## 정비 표시 LED(그림 3)

### D25601, D25602, D25603

카본 브러시가 거의 다 마모되면 황색 브러시 마모 표시 LED (s)가 켜지며 이는 향후 사용 시간 기준 8 시간 이내에 정비를 받아야 함을 의미합니다.

### D25601, D25602, D25603

치핑 모드 이외의 다른 모드에서 잠금 버튼을 사용하면 적색 정비 LED (r)이 켜집니다. 적응형 드릴 제어 기능(ADC)이 내장된 모든 모델에서는 ADC가 작동할 경우 적색 표시 LED (r)이 켜집니다. 공구가 고장났거나 브러시가 완전히 마모되었을 경우에는 적색 표시등이 깜빡이기 시작합니다(**유지 보수** 아래 **브러시** 참조).

## 진동 감소 기본 핸들(그림 1)

### D25601, D25602, D25603

사이드 핸들 (c)의 매퍼는 사용자에게 전달되는 진동을 흡수합니다. 이는 작업 중에 사용자를 더 편안하게 해 줍니다.

## 전기 안전

전기 모터는 한 가지 전압에만 맞추어 설계되었습니다. 전원이 명판에 표시된 전압과 일치하지는 항상 확인하십시오.



DEWALT 공구는 EN 60745에 따라 이중 절연되어 있습니다. 따라서 접지선이 필요하지 않습니다.

전원 코드가 손상된 경우에는 DEWALT 서비스 센터를 통해 특수 제작된 코드로 교체해야만 합니다.

## 연장 코드 이용

연장 코드는 가급적 사용하지 말아주십시오. 이 공구의 정격전원에 맞는 승인된 연장 코드를 사용하십시오(기술 자료 참조). 최대 도체 크기는 1mm², 최대 길이는 30m입니다.

케이블 릴을 사용할 때는 항상 케이블을 완전히 푸십시오.

## 조립 및 조정



**경고: 액세서리를 설치 및 제거하기 전, 구성 상태를 조정하거나 변경하기 전, 또는 수리 시 부상의 위험을 줄이려면 장치를 끄고 전원으로부터 연결을 차단하십시오.** 작동 스위치가 꺼짐 위치에 있는지 반드시 확인하십시오. 공구가 갑자기 작동하여 신체 부상을 당할 수 있습니다.



**경고: 공구용 비트는 뜨거울 수 있으므로 비트를 교체 또는 제거할 때는 장갑을 착용해 부상을 방지해야 합니다.**

## 사이드 핸들 조립 및 장착 (그림 2A, 2B)

사이드 핸들 (c)는 오른손 및 왼손 사용자에게 맞게 기가 좌우, 앞쪽 또는 뒤쪽에 장착할 수 있습니다.



**경고:** 항상 보조 핸들을 올바르게 결합한 상태에서 공구를 조작하십시오.

### D25501, D25601, D25602, D25603

#### 앞쪽에 장착(그림 2A)

1. 공구 홀더 (m) 뒤쪽 갈라 (x) 위에 쇠고리 (k)를를 겁니다. 양쪽 끝을 동시에 누르면서 부시 (l)을 장착한 후 핀 (q)를 끼웁니다.
2. 클램프 휠 (h)에 사이드 핸들 클램프 (j)와 나사를 놓습니다. 조이지 마십시오.



**경고:** 결합이 되고 나면 사이드 핸들 클램프는 분리하지 말아야 합니다.

3. 부시 (l) 및 클램프 휠에 사이드 핸들 (c)를 차례로 나사로 조입니다. 단단히 조입니다.
4. 사이드 핸들 장착용 어셈블리를 원하는 위치로 돌립니다. 헤비 듀티용 드릴 비트를 사용해 수평 드릴 작업을 할 때 최적의 컨트롤을 위해서는 약 20°로 사이드 핸들 각도를 유지하는 것이 바람직합니다.
5. 클램프 휠 (h)를 조여 사이드 핸들 장착용 어셈블리를 잠급니다.

#### 뒤쪽에 장착(그림 2B)

뒤쪽에 장착하면 바닥에 드릴 작업을 할 때 특히 유용합니다.

1. 사이드 핸들 (c)에서 나사를 분리해 앞쪽 위치에서 핸들을 분리합니다. 사이드 핸들 장착용 어셈블리는 앞쪽에 남겨 둡니다.
2. 공구 한 쪽의 뒤쪽 핸들 위치 (i) 중 한 곳에 사이드 핸들을 나사로 결합합니다.

## SDS Max™ 액세스리 삽입 및 분리(그림 1, 4A, 4B)

이 공구는 SDS Max® 비트 및 치즐을 사용합니다(SDS Max® 비트 샹크의 단면도는 그림 4B의 삽입도를 참조하십시오).

1. 비트 샹크를 청소합니다.
2. 로킹 슬리브 (p)를 뒤로 당기고 비트 샹크를 끼웁니다.

3. 슬리브가 제 위치에 고정되도록 비트를 살짝 돌려 줍니다.
4. 비트를 잡아 당겨 제대로 잠겼는지 확인하십시오.  
햄머 기능을 사용하려면 공구 홀더에 잠겨 있을 때 비트를 축 방향으로 몇 센티미터 이동할 수 있어야 합니다.
5. 비트를 분리하려면 공구 홀더 로킹 슬리브/칼라 (p)를 뒤로 당겨 공구 홀더에서 비트를 빼냅니다.

## 작동 모드 선택(그림 1)



### 햄머드릴:

콘크리트, 벽돌, 석재 드릴 작업용  
D25501, D25601, D25602, D25603.



### 햄머 작업만 해당:

치즐링 및 파괴 작업용 D25501, D25601, D25602, D25603. 이 모드에서는 꼭 끼인 드릴 비트를 풀기 위해 공구를 레버로 사용할 수도 있습니다.

1. 작동 모드를 선택하려면 필요한 모드 기호를 가리킬 때까지 모드 선택기 스위치 (f)를 돌립니다.  
모드 선택기 스위치 (f)가 ① 위치를 통과하려면 공구 홀더 (m)을 살짝 틀어 주어야 할 수 있습니다.
2. 모드 선택기 스위치 (f)가 제 위치에 놓여 있는지 확인합니다.

## 치즐 위치 표시(그림 5)

### D25501, D25601, D25602, D25603

치즐은 18개의 다양한 위치로 표시하고 잠글 수 있습니다.

1. ① 위치를 가리킬 때까지 모드 선택기 스위치 (f)를 돌립니다.
2. 치즐을 원하는 위치로 돌립니다.
3. 모드 선택기 스위치 (f)를 “햄머링 전용” 위치로 설정합니다.
4. 치즐이 제자리에서 잠길 때까지 비틀어 돌립니다.

## 전자식 속도 및 충격 제어 다이얼 설정 (그림 1, 3)

### D25601, D25602, D25603

다이얼 (g)를 원하는 레벨로 돌립니다. 속도를 높이려면 다이얼을 위쪽으로, 속도를 낮추려면 아래쪽으로 돌립니다. 필요한 설정은 경험에 달려 있습니다. 예를 들어,

- 약하고, 부서지기 쉬운 재제를 치출할 때 또는 최소한의 분쇄가 필요할 때는 다이얼을 낮게 설정합니다.
- 비교적 딱딱한 재제를 부수거나 드릴 작업 할 때는 다이얼을 높게 설정합니다.

## 토크 제어 스위치 설정(그림 3)

### D25602, D25603

**참고:** 토크 제한 설정을 변경하기 전에는 반드시 공구의 전원을 꺼 두십시오. 그렇지 않으면 공구가 손상될 수 있습니다.

작업에 따라 필요에 맞게 토크 제어 레버 (t)를 40 Nm 또는 80 Nm 설정으로 옮기십시오.

40 Nm 클러치 설정 (u)는 일반적인 드릴 작업용이며 드릴 비트가 철근이나 기타 이물질에 부딪혔을 때 쉽게 뺄 수 있도록 고안되어 있습니다.

80 Nm 클러치 설정 (v)는 코어 비트 및 깊은 구멍 드릴 작업과 같이 높은 토크가 필요한 작업에 맞게 고안되어 있으며 높은 토크에서 비트를 분리할 수 있도록 고안되어 있습니다.

**참고:** 토크를 변경하는 동안 모터 하우징이 약간 회전하도록 하십시오.

공구를 끼울 때마다, 가장 민감한 설정인 클러치 설정 1, 즉, 40 Nm 클러치 설정 (u)로 자동으로 초기화됩니다.

## 깊이 조절봉(그림 1)

### D25501, D25601, D25602, D25603

깊이 조절봉을 조절하려면,

1. 사이드 핸들의 깊이 조절봉 릴리스 버튼 (n)을 누릅니다.
2. 조절봉 끝과 비트 끝 사이 간격이 원하는 드릴 길이와 같게 되도록 깊이 조절봉 (o)을 움직입니다.
3. 버튼에서 손을 떼어 조절봉을 제 위치에 잠급니다. 깊이 조절봉을 사용해 드릴 작업을 할 때는 조절봉 끝이 피삭재 표면에 닿으면 작동을 멈추십시오.

## 작동 사용 지침



**경고:** 안전 지시 사항과 해당 규정을 항상 준수하십시오.



**경고:** 심각한 신체 부상의 위험을 줄이려면 부착물 또는 액세서리를 조정하거나 제거/설치하기 전에 공구를 끄고 전원에서 공구 플러그를 빼십시오.



**경고:** 공구용 비트는 뜨거울 수 있으므로 비트를 교체 또는 제거할 때는 장갑을 착용해 부상을 방지해야 합니다.



**경고:**

- 파이프 구조 및 배선 위치를 알아 두십시오.
- 공구에 적당한 압력만 가하십시오 (약 20 kg). 과도한 힘을 가하면 드릴 속도가 올라가지 않고 공구 성능이 감소하고 공구 수명이 단축될 수 있습니다.
- 항상 공구를 양손으로 단단히 잡고 안전하게 세워 두십시오. 항상 보조 핸들을 올바르게 결합한 상태에서 공구를 조작하십시오.

**참고:** D25501의 작동 온도는 7°부터 +40° C (19° ~ 104° F)까지입니다. 이 온도 범위 밖에서 공구를 사용할 경우 공구 수명이 짧아질 수 있습니다.

## 올바른 손 위치(그림 6)



**경고:** 심각한 신체 부상의 위험을 줄이려면 항상 그림과 같이 올바르게 손을 위치하십시오.



**경고:** 심각한 부상의 위험을 줄이려면 항상 급작스러운 반작용을 예상하고 확실하게 잡으십시오.

올바른 손의 위치는 한 손으로는 사이드 핸들 (c)를 잡고, 다른 손으로는 주 핸들 (d)를 잡는 것입니다.

## 전원 켜기 및 끄기(그림 1)

### D25501, D25601, D25602, D25603

공구를 켜려면 트리거 스위치 (a)를 누릅니다.

공구를 멈추려면 트리거 스위치에서 손을 뗍니다.

**D25601, D25602, D25603**

잠금 슬라이더 (b)를 사용하면 트리거 스위치 (a)를 치즐링 작업 전용으로 잠글 수 있습니다. 드릴 작업 모드에서 잠금 버튼이 작동하면 공구가 자동으로 꺼집니다.

공구를 켜려면 트리거 스위치 (a)를 누릅니다.

공구를 멈추려면 스위치에서 손을 뗍니다.

드릴을 연속 작동시키려면 스위치 (a)를 누른 상태에서 잠금 버튼 (b)를 위로 밀고 스위치에서 손을 뗍니다.

공구의 연속 작동을 멈추려면 스위치를 짧게 눌렀다 놓습니다. 작업이 끝나면 플러그를 빼기 전에 항상 공구 스위치를 꺼짐 위치로 놓습니다.

**햄머드릴**

공구를 켜려면 on/off 스위치 (a)를 누릅니다.

공구를 멈추려면 스위치에서 손을 뗍니다.

**솔리드 비트로 드릴(그림 1)****D25501, D25601, D25602, D25603**

1. 적당한 드릴 비트를 삽입합니다.
2. 모드 선택기 스위치 (f)를 햄머 드릴 위치로 설정합니다.
3. D25601, D25602, D25603에 한함: 전자식 속도 및 충격 제어 다이얼 (g)를 설정합니다.
4. 사이드 핸들 (c)를 장착하고 조절합니다.
5. 드릴 작업을 할 구멍의 지점을 표시합니다.
6. 드릴 비트를 해당 지점에 놓고 공구의 전원 스위치를 켭니다.
7. 작업이 끝나면 플러그를 빼기 전에 항상 공구 스위치를 꺼짐 위치로 놓습니다.

**코어 비트로 드릴(그림 1)**

1. 적당한 코어 비트를 끼웁니다.
2. 센터드릴을 코어 비트에 조립합니다.
3. 모드 선택기 스위치 (f)를 햄머 드릴 위치로 설정합니다.
4. D25601, D25602, D25603에 한함: 전자식 속도 및 충격 제어 다이얼 (g)를 중간 또는 높은 속도 설정 위치로 돌립니다.
5. 사이드 핸들 (c)를 장착하고 조절합니다.
6. 센터드릴을 해당 지점에 놓고 공구의 전원 스위치를 켭니다. 중심이 콘크리트 약 1 cm까지 뚫고 들어갈 때까지 드릴합니다.

7. 공구를 멈추고 센터드릴을 제거합니다. 코어 비트를 다시 구멍에 넣고 드릴을 계속합니다.
8. 코어 비트 깊이보다 더 두껍게 구조물을 드릴할 때, 콘크리트의 동근 원통 또는 비트 안쪽의 코어를 일정한 간격으로 절단합니다. 구멍 주변에서 콘크리트가 이탈하지 않도록 하려면, 먼저 구조물을 통해 센터 드릴의 직경으로 구멍을 드릴합니다. 그런 다음 각 면에서 중간 지점까지 중심 구멍을 뚫습니다.
9. 작업이 끝나면 플러그를 빼기 전에 항상 공구 전원을 끕니다.

**치핑 및 치즐링(그림 1)****D25501, D25601, D25602, D25603**

1. 적당한 치즐을 삽입하고 18개의 위치 중 하나에 고정될 수 있도록 손으로 돌립니다.
2. 모드 선택기 스위치 (f)를 햄머링 전용 위치로 설정합니다.
3. D25601, D25602, D25603에 한함: 전자식 속도 및 충격 제어 다이얼 (g)를 설정합니다.
4. 사이드 핸들 (c)를 장착하고 조절합니다.
5. 공구 전원을 켜고 작업을 시작합니다.
6. 작업이 끝나면 플러그를 빼기 전에 항상 공구 전원을 끕니다.

**유지 보수**

DeWALT 전동 공구는 최소한의 유지 보수로 장기간에 걸쳐 작업이 가능하도록 설계되어 있습니다. 연속 작동은 적절한 공구 관리와 정기적인 청소에 따라 그 성능이 달라질 수 있습니다.



**경고: 액세서리를 설치 및 제거하기 전, 구성 상태를 조정하거나 변경하기 전, 또는 수리 시 부상의 위험을 줄이려면 장치를 끄고 전원으로부터 연결을 차단하십시오.** 작동 스위치가 꺼짐 위치에 있는지 반드시 확인하십시오. 공구가 갑자기 작동하여 신체 부상을 당할 수 있습니다.

본 기기는 사용자가 수리할 수 없습니다. 약 150시간 사용 후에는 공인 DeWALT 수리 대리점에 수리를 의뢰하십시오. 이 시간 이전에 문제가 발생할 경우 공인 DeWALT 수리 대리점에 문의하십시오.

### 브러시(그림 3)

카본 브러시는 사용자가 수리할 수 없습니다.  
공인 DeWALT 수리점에 수리를 의뢰하십시오.

카본 브러시가 거의 다 마모되면 황색 브러시 마모 표시 LED (r)가 켜집니다. 브러시가 완전히 마모된 후 8시간 이상 사용하면 모터가 자동으로 정지됩니다.

정비 표시등이 켜지는 즉시 공구 유지 보수를 수행해야 합니다.



### 윤활방법

전공 공구는 별도의 윤활 작업이 필요하지 않습니다.



### 청소



**경고:** 통풍구 속이나 주변에 먼지가 쌓여있는 것이 보이면 가능한 한 자주 건조한 공기를 이용하여 몸체에서 먼지를 불어내십시오. 이 절차를 수행할 때에는 승인된 보안경 및 승인된 방진 마스크를 착용하십시오.



**경고:** 공구의 금속 이외의 부품을 청소할 때는 용제 등의 강력한 화학약품을 절대 사용하지 마십시오. 그렇지 않으면 이러한 부분에 사용된 재료가 약해질 수 있습니다. 형강에 물과 순한 비누를 적셔 닦아주십시오. 공구 내부에 액체를 넣거나 공구 부품을 액체에 담그는 행동은 절대 금물입니다.

### 옵션 액세서리



**경고:** DeWALT에서 제공하지 않은 액세서리는 본 제품에서 테스트되지 않았으므로 본 제품에서 이러한 액세서리를 사용하면 위험할 수 있습니다. 신체 부상의 위험을 줄이려면 본 제품에 DeWALT 권장 액세서리만 사용해야 합니다.

다양한 유형의 SDS Max® 드릴 비트 및 치즐을 옵션으로 이용할 수 있습니다.

해당 액세서리에 대한 자세한 정보는 판매 대리점으로 문의하십시오.

### 환경 보호



분리 수거. 본 제품을 일반 가정용 쓰레기로 처리하면 안됩니다.



DeWALT 제품을 교체해야 하거나 더 이상 쓸모가 없어졌다고 판단될 때는 본 제품을 가정용 쓰레기와 함께 처리하지 마십시오. 이 제품은 분리 수거하십시오.



사용하던 제품과 포장물 분리 수거하면 자원을 재활용 및 재사용할 수 있습니다. 재활용 자원을 이용하면 환경 오염이 방지되고 고철 자원에 대한 수요를 줄일 수 있습니다.

지역에 따라 가정용 가전제품을 분리 수거하는 규정이 마련되어 있거나 새로운 제품을 구입할 때 판매점에서 폐기 방법을 알려줄 수 있습니다.

DeWALT는 사용이 끝난 DeWALT 제품을 수집하여 재활용하기 위한 시설을 운영하고 있습니다. 이 서비스를 활용하려면 당사가 폐제품 수거를 위임한 공인 수리 대리점에 제품을 반환해 주십시오.

본 사용 설명서에 기재된 연락처로 가까운 DeWALT 영업소에 연락하면 가까운 공인 수리 대리점 위치를 확인할 수 있습니다. 또는 다음 웹 사이트를 방문하여 DeWALT 공인 수리 대리점 목록과 A/S 및 연락처 등 자세한 정보를 찾아볼 수 있습니다.

[www.dewalt.co.kr](http://www.dewalt.co.kr)



# สว่านเจาะกระแทกและเจาะสกัด SDS MAX

## D25501, D25601, D25602, D25603

### ขอแสดงความยินดี!

คุณได้เลือกใช้เครื่องมือของ DEWALT ด้วยประสิทธิภาพที่ยาวนาน ตลอดจนการพัฒนาผลิตภัณฑ์และนวัตกรรมใหม่ๆ ทำให้ DEWALT เป็นหนึ่งในเครื่องมือไฟฟ้าที่เชื่อถือได้ที่สุดสำหรับกลุ่มผู้ใช้เครื่องมือไฟฟ้าระดับมืออาชีพ

### ข้อมูลทางด้านเทคนิค

		D25501	D25601	D25602	D25603
แรงดันไฟฟ้า (B1)	โวลต์	220-240	220-240	230	230
ประเภท		2	2	2	2
กำลังไฟเข้า	วัตต์	1100	1250	1250	1250
แรงกระแทก	J	11	1.5-13	2-14	2-14
ระยะการเจาะเข้าคอนกรีต:					
ดอกสว่านชนิดแข็ง	มม.	12-40	12-45	12-45	12-45
ดอกสว่านเจาะคว้าน	มม.	40-90	40-100	40-100	40-100
ระยะการเจาะเข้าคอนกรีตที่เหมาะสมที่สุด:					
ดอกสว่านชนิดแข็ง	มม.	18-26	25-35	25-35	25-35
ตำแหน่งดอกสกัด		18	18	18	18
ที่จับอุปกรณ์		SDS Max®	SDS Max®	SDS Max®	SDS Max®
น้ำหนัก	กก.	6.15	6.8	6.9	6.95
$L_{PA}$ (แรงดันเสียง)	dB(A)	94	92	93	93
$K_{PA}$ (ความไม่แน่นอนของแรงดันเสียง)	dB(A)	3	3	3	3
$L_{WA}$ (กำลังเสียง)	dB(A)	104	103	104	104
$K_{WA}$ (ความไม่แน่นอนของกำลังเสียง)	dB(A)	3	3	3	3
ค่ารวมของการสั่นสะเทือน (triax vector sum) ตามมาตรฐาน EN 60745:					
ค่าการปล่อยแรงสั่นสะเทือน $a_h$ การเจาะคอนกรีต					
$a_{h, HD_{eq}}$ =	m/s	18.3	9.2	9.1	9.1
ความไม่แน่นอน K =	m/s	1.8	1.5	1.6	1.6
ค่าการปล่อยแรงสั่นสะเทือน $a_h$ การสกัด					
$a_{h, Chreq}$ =	m/s	13.2	7.2	7.4	7.4
ความไม่แน่นอน K =	m/s	1.6	1.5	1.6	1.6

ระดับของการปล่อยแรงสั่นสะเทือนที่ระบุในเอกสารข้อมูลนี้ได้รับการตรวจวัดตามมาตรฐานการทดสอบใน EN 60745 และอาจนำมาใช้เพื่อเปรียบเทียบเครื่องมือชนิดหนึ่งกับเครื่องมืออีกชนิดหนึ่ง หรืออาจนำมาใช้สำหรับการประเมินผลเบื้องต้นของการสั่นสะเทือนก็ได้



**คำเตือน:** ระดับของการปล่อยแรงสั่นสะเทือนที่ระบุไว้ แสดงถึงการใช้งานหลักๆ ของเครื่องมือ อย่างไรก็ตาม หากใช้เครื่องมือกับการใช้งานอื่นๆ ร่วมกับอุปกรณ์เสริมชนิดอื่น หรือเครื่องมืออยู่ในสภาพที่ขาดการดูแล ระดับการปล่อยแรงสั่นสะเทือนอาจแตกต่างไปจากค่าที่ระบุ เนื่องจากอาจส่งผลให้ระดับการสั่นสะเทือนเพิ่มสูงขึ้นอย่างมากตลอดระยะเวลาการทำงานโดยรวม

ควรนำค่าระดับการสัมผัสเทียบกับเหลืออยู่ใน  
ขณะปิดสวิตช์เครื่องมือ หรือเมื่อปล่อยให้  
เครื่องทำงานแต่ไม่ได้ใช้งานใดๆ มาใช้ในการ  
ประเมินค่าด้วย เนื่องจากอาจส่งผลให้ระดับ  
การสัมผัสเทียบลดลงอย่างมากสำหรับระยะ  
เวลาการทำงานโดยรวม

ศึกษาเพิ่มเติมถึงมาตรการรักษาความปลอดภัย  
ทั้งนี้เพื่อป้องกันผู้ปฏิบัติงานจากผลกระทบของ  
แรงสัมผัสเทียบ เช่น บำรุงรักษาเครื่องมือและ  
อุปกรณ์เสริม ทำให้มืออ่อน วางแผนการทำงาน  
อย่างเป็นระบบ

**คำจำกัดความ: ข้อแนะนำด้านความปลอดภัย**

คำจำกัดความด้านล่างอธิบายถึงระดับความรู้แรงของคำ  
แต่ละคำที่ใช้เรียกสัญลักษณ์ต่างๆ โปรดอ่านคู่มือและทำ  
ความเข้าใจกับสัญลักษณ์เหล่านี้



**อันตราย:** หมายถึงสถานการณ์ที่ก่อให้เกิด  
อันตรายได้อย่างฉับพลัน ซึ่งหากไม่ระวัง  
จะทำให้เสียชีวิตหรือบาดเจ็บสาหัสได้



**คำเตือน:** หมายถึงสถานการณ์ที่มีแนวโน้มว่า  
อาจจะก่อให้เกิดอันตราย ซึ่งถ้าไม่ระวัง สามารถ  
ทำให้เสียชีวิตหรือบาดเจ็บสาหัสได้



**ข้อควรระวัง:** หมายถึงสถานการณ์ที่มีแนวโน้ม  
ว่าจะก่อให้เกิดอันตราย ซึ่งถ้าไม่ระวัง อาจทำให้  
ได้รับบาดเจ็บเล็กน้อยหรือปานกลาง

**ข้อสังเกต:** หมายถึงการปฏิบัติงานที่ไม่เกี่ยวข้อง  
กับการบาดเจ็บทางร่างกาย ซึ่งถ้าไม่ระวัง อาจ  
ทำให้ทรัพย์สินชำรุดเสียหายได้



แสดงถึงอันตรายจากการถูกไฟฟ้าดูด



แสดงถึงอันตรายจากการเกิดเพลิงไหม้



**คำเตือน:** เพื่อลดความเสี่ยงต่อการบาดเจ็บ  
โปรดอ่านคู่มือการใช้งานเล่มนี้

**คำเตือนด้านความปลอดภัยทั่วไปจากการใช้  
เครื่องมือไฟฟ้า**



**คำเตือน!** อ่านคำเตือนและคำแนะนำด้าน  
ความปลอดภัยทั้งหมด การไม่ปฏิบัติตามคำ  
เตือนและคำแนะนำเหล่านี้ อาจทำให้ถูกไฟดูด  
เกิดเพลิงไหม้และ/หรือบาดเจ็บสาหัสได้

**จัดเก็บเอกสารคำเตือนและคำแนะนำทั้งหมด  
ไว้เพื่อการอ้างอิงในภายหลัง**

คำว่า “เครื่องมือไฟฟ้า” ในคำเตือน หมายถึงเครื่องมือไฟฟ้า  
ที่ทำงานผ่านสายเมน (มีสาย) หรือแบตเตอรี่ (ไม่มีสาย)

**1) ความปลอดภัยในบริเวณที่ทำงาน**

- ก) รักษาความสะอาดและจัดให้มีแสงสว่างเพียงพอใน  
บริเวณที่ทำงาน บริเวณที่ดับแคมหรือมีดทำให้เกิด  
อุบัติเหตุได้
- ข) ห้ามใช้เครื่องมือไฟฟ้าในบริเวณที่อาจเกิดการระเบิด  
เช่น เมื่อมีของเหลวไวไฟ แก๊ส หรือ ผุ่นละออง  
เครื่องมือไฟฟ้าจะทำให้เกิดประกายไฟที่อาจทำให้  
เกิดละอองไฟหรือเปลวไฟขึ้นได้
- ค) ระวังไม่ให้เด็กเล็กและคนเดินผ่านไปมาเข้าใกล้ใน  
ขณะที่ใช้งานเครื่องมือไฟฟ้า สิ่งรบกวนอาจทำให้  
คุณเสียสมาธิได้

**2) ความปลอดภัยทางไฟฟ้า**

- ก) ปลั๊กไฟของเครื่องต้องเป็นชนิดเดียวกับเต้ารับ ห้าม  
ดัดแปลงปลั๊กไม่ว่าจะด้วยวิธีใด ห้ามใช้ตัวแปลงกับ  
เครื่องมือไฟฟ้าที่ต่อสายดิน ปลั๊กที่ไม่มีการดัดแปลง  
และเต้ารับชนิดเดียวกันจะขจัดลดความเสี่ยงจาก  
การถูกไฟดูด
- ข) หลีกเลี่ยงการสัมผัสพื้นผิวที่ต่อสายดิน เช่น ท่อ  
หม้อน้ำ เตาหุงต้ม และตู้เย็น มีความเสี่ยงเพิ่มขึ้น  
ที่จะถูกไฟดูดหากร่างกายเป็นสื่อเชื่อมต่อกับดิน
- ค) อย่าให้เครื่องมือไฟฟ้าถูกฝนหรือเปียกน้ำ น้ำที่เข้า  
เครื่องมือไฟฟ้าจะทำให้ความเสี่ยงในการถูกไฟดูด  
เพิ่มขึ้น
- ง) ระวังอย่าให้สายไฟชำรุด ห้ามใช้สายไฟเพื่อหิ้ว ดึง  
หรือถอดปลั๊กเครื่องมือไฟฟ้า เก็บสายไฟให้พ้นจาก  
ความร้อน น้ำมัน ขงมีคม หรือชิ้นส่วนที่กำลัง  
เคลื่อนที่ สายไฟที่ชำรุดหรือพันกันเป็นการเพิ่มความ  
เสี่ยงจากการถูกไฟดูด
- จ) เมื่อใช้เครื่องมือไฟฟ้ากลางแจ้ง ให้ใช้สายพ่วงที่  
เหมาะสมสำหรับการใช้งานกลางแจ้ง ใช้สายไฟที่  
เหมาะสำหรับการใช้งานกลางแจ้งเพื่อลดความเสี่ยง  
ในการถูกไฟดูด
- ฉ) หากไม่สามารถหลีกเลี่ยงการใช้เครื่องมือไฟฟ้าใน  
บริเวณที่ชื้นแฉะได้ ให้ใช้อุปกรณ์ป้องกันไฟฟ้า  
สะสม (RCD) ที่จัดให้ ใช้ RCD เพื่อลดความเสี่ยง  
จากการถูกไฟดูด

**3) ความปลอดภัยส่วนบุคคล**

- ก) ตื่นตัวและระมัดระวังกับสิ่งที่คุณกำลังทำ รวมทั้งใช้  
สามัญสำนึก ในขณะที่กำลังใช้งานเครื่องมือไฟฟ้า  
ห้ามใช้เครื่องมือไฟฟ้าในขณะที่คุณกำลังเหนื่อยหรือ  
ได้รับอิทธิพลจากยา แอลกอฮอล์ หรือการกินยา  
บางอย่าง การขาดความระมัดระวังในการใช้เครื่อง  
มือไฟฟ้าแม้ชั่วขณะหนึ่งอาจทำให้บาดเจ็บสาหัสได้
- ข) ใช้อุปกรณ์ป้องกันส่วนบุคคล สวมอุปกรณ์ป้องกัน  
ดวงตาเสมอ อุปกรณ์ป้องกัน เช่น หมวกกันน็อค  
รองเท้ากันกรีนกันสั่น หมวกกันน็อค หรืออุปกรณ์ป้องกัน  
เสียงดังสำหรับสภาพที่เหมาะสมจะขจัดลดอาการ  
บาดเจ็บส่วนบุคคล

- ค) ป้องกันการสารถเครื่องโดยไม่ตั้งใจ สวิตช์ต้องอยู่ในตำแหน่งปิดก่อนเสียบปลั๊กของเครื่องเข้ากับแหล่งจ่ายไฟ และ/หรือแบตเตอรี่ ยกหรือเท้าเครื่องมือ การยกเครื่องมือไฟฟ้าในขณะที่นิ้วอยู่ที่สวิตช์ หรือใช้เครื่องมือไฟฟ้าที่สวิตช์เปิดอยู่ อาจทำให้เกิดอุบัติเหตุได้
- ง) ถอดกุญแจปรับแต่งหรือประแจออกก่อนเปิดสวิตช์เครื่องมือไฟฟ้า ประแจหรือกุญแจที่เสียบคาไว้กับชิ้นส่วนที่กำลังหมุนของเครื่องมือไฟฟ้าอาจทำให้ได้รับบาดเจ็บได้
- จ) ห้ามยืนเขย่งเท้าขณะใช้เครื่อง ควรยืนในท่าที่เหมาะสมและสมดุลตลอดเวลา เพื่อช่วยในการควบคุมเครื่องมือไฟฟ้าได้ดียิ่งขึ้นในสถานการณ์ที่ไม่คาดคิด
- ฉ) แต่งกายให้เหมาะสม ห้ามสวมเสื้อผ้าหลวมหรือใส่เครื่องประดับ รวบผม ชายเสื้อ และถุงมือให้ห่างจากชิ้นส่วนที่กำลังหมุน เสื้อผ้าที่หลวมหรือยาว รุ่มร่าม เครื่องประดับ หรือผมที่ยาวอาจเข้าไปพันกับชิ้นส่วนที่กำลังหมุน
- ช) หากมีอุปกรณ์สำหรับเก็บฝุ่นและรวบรวมเศษไม้ ต้องเชื่อมต่ออุปกรณ์เหล่านั้นและนำมาใช้งานอย่างเหมาะสม การใช้อุปกรณ์เก็บฝุ่นจะช่วยลดอันตรายที่เกี่ยวข้องกับฝุ่นได้

#### 4) การใช้และการดูแลรักษาเครื่องมือไฟฟ้า

- ก) ห้ามมิใช้เครื่องมือไฟฟ้า เลือกใช้เครื่องมือไฟฟ้าที่ถูกต้องตรงกับลักษณะการใช้งานของคุณ เครื่องมือไฟฟ้าที่ถูกต้องย่อมทำงานได้ดีกว่าและปลอดภัยกว่าในอัตราที่เครื่องมือได้รับการออกแบบมา
- ข) ห้ามใช้เครื่องมือไฟฟ้าถ้าสวิตช์เปิดปิดเครื่องไม่ทำงาน เครื่องมือไฟฟ้าที่ไม่สามารถควบคุมผ่านสวิตช์ได้ มีอันตรายและต้องส่งซ่อม
- ค) ถอดปลั๊กของเครื่องมือไฟฟ้าออกจากแหล่งจ่ายไฟ และ/หรือ แบตเตอรี่ก่อนทำการปรับแต่ง เปลี่ยนอุปกรณ์เสริม หรือจัดเก็บ มาตรการเพื่อความปลอดภัยเชิงการป้องกันนี้จะช่วยลดความเสี่ยงในการเปลือยเปิดเครื่องให้ทำงานโดยไม่ตั้งใจ
- ง) เก็บเครื่องมือไฟฟ้าที่พร้อมใช้งานไว้ให้พ้นมือเด็ก และไม่อนุญาตให้บุคคลที่ไม่คุ้นเคยกับเครื่องมือไฟฟ้าหรือคำแนะนำเหล่านี้เป็นผู้ใช้เครื่องมือเครื่องมือไฟฟ้าจะเป็นอันตรายหากอยู่ในมือผู้ใช้ที่ไม่มีควมชำนาญ
- จ) บำรุงรักษาเครื่องมือไฟฟ้า ตรวจสอบการวางตำแหน่งหรือการต่อชิ้นส่วนที่เคลื่อนที่ จุดเชื่อมต่อชิ้นส่วนและสภาพอื่นๆ ที่อาจส่งผลกระทบต่อการทำงานของเครื่องมือไฟฟ้า หากชำรุดเสียหาย ให้ส่งซ่อมก่อนนำมาใช้ อุบัติเหตุมากมายเกิดจากเครื่องมือไฟฟ้าที่มีระบบการดูแลรักษาไม่ดีพอ

- ฉ) เครื่องมือตัดต้องคมและสะอาดอยู่เสมอ เครื่องมือตัดที่ผ่านการดูแลรักษาที่เหมาะสมและมีขอบสำหรับงานตัดที่คม จะไม่ค่อยเกิดปัญหาและความคมได้ง่าย
- ช) ใช้เครื่องมือไฟฟ้า อุปกรณ์เสริมและชุดอุปกรณ์ต่าง ๆ ให้สอดคล้องกับคำแนะนำเหล่านี้ โดยพิจารณาถึงสภาพการทำงานและงานที่ทำเป็นสำคัญ การใช้เครื่องมือไฟฟ้าทำงานนอกเหนือจากที่กำหนดไว้ อาจทำให้เกิดอันตรายได้

#### 5) การบริการ

- ก) ให้ช่างซ่อมที่มีความเชี่ยวชาญเป็นผู้ซ่อมเครื่องมือและใช้อะไหล่เท่านั้น ซึ่งจะช่วยรับประกันได้ว่าเครื่องมือไฟฟ้ายังมีความปลอดภัยอยู่

#### คำแนะนำด้านความปลอดภัยเพิ่มเติมสำหรับส่วนเจาะกระแทกโรตารี

- สวมอุปกรณ์ป้องกันหู การอยู่กับเสียงดังมากๆ อาจทำให้สูญเสียความสามารถในการได้ยิน
- ใช้มือจับเสริมหากมีพร้อมเครื่องมือ การสูญเสียการควบคุมเครื่องอาจทำให้ได้รับบาดเจ็บได้
- จับเครื่องมือไฟฟ้าที่พื้นผิวส่วนที่ใช้จับซึ่งมีฉนวนป้องกันเท่านั้น ในขณะที่ใช้งานเครื่องและอุปกรณ์เสริมที่ใช้ตัด อาจไปถูกสายไฟที่ซ่อนอยู่หรือสายไฟของตัวเครื่องเอง อุปกรณ์เสริมที่ใช้ตัดที่สัมผัสกับสายไฟ "ที่มีไฟฟ้า" อาจทำให้ชิ้นส่วนโลหะของเครื่องมือ "มีไฟฟ้าไหลผ่าน" ทำให้ผู้ใช้ถูกไฟฟ้าดูด

#### ความเสี่ยงสะสม

การใช้งานส่วนเจาะกระแทกโรตารีและเจาะสกัด อาจเป็นสาเหตุของความเสียหายดังต่อไปนี้:

- การบาดเจ็บจากการสัมผัสชิ้นส่วนของเครื่องมือที่กำลังหมุนหรือร้อน

แม้จะปฏิบัติตามข้อกำหนดด้านความปลอดภัยที่เกี่ยวข้องและใช้อุปกรณ์นิรภัย แต่ยังไม่สามารถหลีกเลี่ยงความเสี่ยงสะสมบางประเภทได้ ความเสี่ยงเหล่านั้นได้แก่:

- ความบอบช้ำหรือการได้ยินเสียง
- ความเสี่ยงของการหนีบนิ้วในขณะเปลี่ยนอุปกรณ์เสริม
- อันตรายต่อสุขภาพซึ่งมีสาเหตุจากการสูดหายใจเอาฝุ่นที่เกิดขึ้นในระหว่างการทำงานกับคอนกรีต และ/หรือ ปูน

## สัญลักษณ์บนเครื่องมือ

รูปภาพต่อไปนี้จะปรากฏบนเครื่องมือ:



อ่านคู่มือการใช้งานก่อนใช้เครื่อง



สวมอุปกรณ์ป้องกันหู



สวมอุปกรณ์ป้องกันตา



ค่าคลัตช์ที่ 40 Nm ได้รับการออกแบบมาสำหรับงานเจาะส่วนใหญ่



ค่าคลัตช์ที่ 80 Nm ได้รับการออกแบบมาสำหรับงานที่ต้องใช้แรงบิดสูง



ไฟ LED แสดงความผิดปกติสีแดงสำหรับรายละเอียดเพิ่มเติม โปรดดูหัวข้อไฟ LED แสดงความผิดปกติ



ไฟ LED แสดงความผิดปกติเหลืองสำหรับรายละเอียดเพิ่มเติม โปรดดูหัวข้อไฟ LED แสดงความผิดปกติ

## ตำแหน่งของรหัสวันที่ (ภาพ 1)

รหัสวันที่ (w) ซึ่งระบุปีที่ผลิตไว้ด้วย จะถูกพิมพ์ไว้บนตัวเครื่องตัวอย่างเช่น:

2009 XX XX  
ปีที่ผลิต

## รายการส่วนประกอบบรรจุภัณฑ์

สิ่งของในบรรจุภัณฑ์ได้แก่:

สว่านเจาะกระแทกโรตารี 1 เครื่อง

มือจับเสริมด้านข้าง 1 ชิ้น

กล่องชุดอุปกรณ์ 1 กล่อง (เฉพาะรุ่น K)

คู่มือการใช้งาน 1 เล่ม

ภาพแยกชิ้นส่วนอุปกรณ์ 1 ชิ้น

- ตรวจสอบร่องรอยความเสียหายของเครื่องมือ ชิ้นส่วนหรืออุปกรณ์เสริม ที่อาจเกิดขึ้นในระหว่างการขนส่ง
- อ่านและทำความเข้าใจคู่มือเล่มนี้ก่อนการใช้งาน

## คำอธิบาย (ภาพ 1a, 1b, 2a-c)



**คำเตือน:** ห้ามดัดแปลงเครื่องมือไฟฟ้าหรือส่วนประกอบต่างๆ เพราะอาจทำให้เครื่องมือชำรุดหรือได้รับบาดเจ็บได้

- สวิตช์เปิดปิดการทำงาน (D25501, D25601, D25602, D25603)
- ปุ่มล็อค (D25601, D25602, D25603)
- มือจับเสริมด้านข้าง
- ด้ามจับตัวหลัก
- ตัวควบคุมแรงสั่นสะเทือนแบบแอ็คทีฟ (D25601, D25602, D25603)
- สวิตช์เลือกโหมด
- ปุ่มเลื่อนควบคุมความเร็วและแรงกระแทกแบบอิเล็กทรอนิกส์ (D25601, D25602, D25603)
- วงแหวนสำหรับยึด
- ตำแหน่งมือจับเสริมด้านข้างส่วนท้าย
- ตัวยึดมือจับเสริมด้านข้าง
- แหวนเหล็ก
- บุช
- ที่จับอุปกรณ์
- ปุ่มปลดล๊อคก้านปรับระยะการเจาะ
- ก้านปรับระยะการเจาะ
- ปลอกล๊อค
- สลัก
- ปลอกสว่าน

## วัตถุประสงค์ในการใช้งาน

### D25501, D25601, D25602, D25603

สว่านเจาะกระแทกโรตารีได้รับการออกแบบมาเพื่อการใช้งานเจาะบ้นและงานสกัดอย่างมืออาชีพ

**ห้ามใช้**ในบริเวณที่เปียกชื้น หรือมีของเหลวไวไฟหรือแก๊สอยู่ในบริเวณดังกล่าว

สว่านเจาะกระแทกเหล่านี้เป็นเครื่องมือไฟฟ้าสำหรับมืออาชีพ

**ห้ามให้**เด็กสัมผัสกับเครื่องมือไฟฟ้านี้ ผู้ใช้ที่ไม่มีประสบการณ์มาก่อน ต้องได้รับการแนะนำในขณะใช้เครื่องมือนี้

## คุณสมบัติของฟต์สตาร์ท

### D25601, D25602, D25603

คุณสมบัติของฟต์สตาร์ท ทำให้อัตราการกระแทกเกิดขึ้นช้าลง ดังนั้นจึงป้องกันดอกสว่านเลือนออกจากตำแหน่งที่ต้องการเจาะเมื่อเริ่มเดินเครื่อง

นอกจากนี้ คุณสมบัติของฟต์สตาร์ทยังช่วยลดปฏิกิริยาตอบสนองต่อแรงบิดระดับกลางที่ถูกส่งผ่านไปยังเฟืองเกียร์และผู้ปฏิบัติงาน หากสว่านเจาะกระแทกเริ่มเดินเครื่องโดยที่ดอกสว่านอยู่ในรูเดิม

## ตัวควบคุมความเร็วและแรงกระแทก

### แบบอิเล็กทรอนิกส์ (ภาพ 1, 3)

#### D25601, D25602, D25603

ตัวควบคุมความเร็วและแรงกระแทกแบบอิเล็กทรอนิกส์ (g) มีข้อดีดังต่อไปนี้:

- สามารถใช้อุปกรณ์เสริมขนาดเล็กลงได้โดยไม่เสียต่อการแตกหัก
- ลดการแตกหักเมื่อสกดหรือเจาะวัสดุที่อ่อนหรือแตกง่าย
- สามารถควบคุมเครื่องมือได้ดียิ่งขึ้นเพื่อการสกดที่แม่นยำ

## คลัตช์ควบคุมแรงบิด

คลัตช์ควบคุมแรงบิดทำหน้าที่ลดปฏิกิริยาตอบสนองต่อแรงบิดสูงสุดที่ถูกส่งผ่านไปยังผู้ปฏิบัติงานในกรณีที่เกิดการสั่นหรือการสั่นสะเทือนสูงเกินไป ซึ่งช่วยป้องกันเกียร์และมอเตอร์ไฟฟ้าค้างอีกด้วย คลัตช์ควบคุมแรงบิดได้รับการปรับตั้งจากโรงงาน และไม่สามารถปรับเปลี่ยนได้

## ตัวควบคุมแรงบิด (ภาพ 3)

#### D25602, D25603

**ข้อสังเกต:** ปิดเครื่องมือทุกครั้งก่อนที่จะปรับตั้งตัวควบคุมแรงบิด มิฉะนั้นเครื่องมืออาจชำรุดเสียหายได้

ตัวควบคุมแรงบิด (CTC) ของเครื่องมือนี้ได้รับการออกแบบมาเพื่อทำการควบคุมเสริมอีกชั้นด้วยกลไกคลัตช์สองระดับ โปรดดูหัวข้อ **การตั้งค่าสวิตช์ควบคุมแรงบิด** สำหรับข้อมูลเพิ่มเติม

## ระบบควบคุมการเจาะแบบปรับอัตโนมัติ (ADC)

#### D25603 (ภาพ 3)

D25603 มีระบบควบคุมการเจาะแบบปรับอัตโนมัติติดตั้งมาด้วย คุณสมบัติข้อนี้จะรับรู้การเคลื่อนไหวในการทำงานของเครื่องมือ และช่วยลดแรงบิดของมอเตอร์ให้อยู่ในระดับที่สามารถทำงานได้ในกรณีที่จำเป็น ไฟ LED สีแดง (r) จะติดสว่างเพื่อแสดงสถานะ

**หมายเหตุ:** หากกำลังของเครื่องมือไม่เพียงพอต่อการเจาะตามปกติ และไฟ LED สีแดงไม่ติดสว่างให้นำเครื่องมือเข้ารับการซ่อมที่ศูนย์บริการ DEWALT ที่ได้รับอนุญาต

## ไฟ LED แสดงความผิดปกติ (ภาพ 3)

#### D25601, D25602, D25603

ไฟ LED สีเหลืองแสดงการสีกหรือของแปร่ง (s) จะติดสว่างเมื่อแปร่งถ่านใกล้จะชำรุด ซึ่งหมายความว่าต้องนำเครื่องมือเข้ารับการบริการภายในช่วง 8 ชั่วโมงของการใช้งานต่อไป

#### D25601, D25602, D25603

ไฟ LED สีแดงแสดงถึงความผิดปกติ (r) จะติดสว่างหากมีการใช้งานป้อนลัด (b) ในโหมดใดๆ ก็ตาม ยกเว้นโหมดสกดไฟ LED สีแดง (r) ของเครื่องมือทุกรุ่นที่มีระบบควบคุมการเจาะแบบปรับอัตโนมัติ (ADC) จะติดสว่างหากมีการใช้งาน ADC ไฟ LED สีแดงจะเริ่มกะพริบหากมีความผิดปกติเกี่ยวกับเครื่องมือหรือแปร่งถ่านชำรุดสึกหรอเกือบทั้งหมด (โปรดดู **แปร่งถ่าน** ในหัวข้อ **การบำรุงรักษา**)

## ด้ามจับตัวหลักที่จับแรงสั่นสะเทือนได้เต็มที่ (ภาพ 1)

#### D25601, D25602, D25603

ด้ามจับแรงสั่นสะเทือนที่ด้ามจับตัวหลัก (c) จะช่วยลดระดับแรงสั่นสะเทือนที่ถูกส่งผ่านไปยังผู้ใช้งาน ซึ่งช่วยให้ผู้ใช้รู้สึกสบายยิ่งขึ้นในระหว่างปฏิบัติงาน

## ความปลอดภัยทางไฟฟ้า

มอเตอร์ไฟฟ้าออกแบบมาเพื่อใช้กับแรงดันไฟฟ้าขนาดเดียวเท่านั้น ดังนั้น โปรดตรวจสอบกำลังไฟให้ตรงกับแรงดันไฟฟ้าบนแผ่นแสดงพิกัดเสมอ



เครื่องมือ DEWALT ใช้ระบบฉนวนสองชั้นที่ตรงตามมาตรฐาน EN 60745 จึงไม่จำเป็นต้องใช้สายดิน

ถ้าสายไฟของตัวเครื่องชำรุดเสียหาย จะต้องเปลี่ยนเป็นสายไฟที่จัดเตรียมมาในพิเศษ ซึ่งสามารถสั่งซื้อได้จากศูนย์บริการของ DEWALT

## การใช้สายพ่วง

ไม่ควรใช้สายพ่วงเว้นแต่จำเป็นจริงๆ ควรใช้สายพ่วงที่ผ่านการรับรองและเหมาะสมกับกำลังไฟเข้าของเครื่องมือนี้ (ดูข้อมูลทางด้านเทคนิค) ขนาดของสื่อนำไฟฟ้าต่ำสุดคือ 1 ตร.มม. ความยาวสูงสุดคือ 30 ม.

เมื่อใช้อุปกรณ์ฉนวนเก็บสายไฟ ให้คลายสายไฟออกจนหมดก่อน

## การประกอบและการปรับแต่ง



**คำเตือน:** เพื่อลดความเสี่ยงจากการบาดเจ็บ ให้ปิดเครื่องมือและถอดปลั๊กเครื่องมือออกจากแหล่งจ่ายไฟก่อนการประกอบและถอดอุปกรณ์เสริม ก่อนการปรับแต่งหรือเปลี่ยนการตั้งค่า หรือในขณะที่ทำการซ่อมแซม สวิตช์เปิด/ปิดต้องอยู่ในตำแหน่ง "ปิด" การปลดเปิดเครื่องโดยไม่ได้ตั้งใจอาจทำให้เกิดการบาดเจ็บได้



**คำเตือน:** ดอกสว่าน/ดอกสกดอาจยังร้อนอยู่ ดังนั้นควรสวมถุงมือในขณะที่เปลี่ยนหรือถอดประกอบอุปกรณ์เหล่านั้น ทั้งนี้เพื่อป้องกันไม่ให้เกิดการบาดเจ็บ

## การประกอบและการติดตั้งมือจับเสริมด้านข้าง (ภาพ 2A, 2B)

มือจับเสริมด้านข้าง (c) สามารถติดตั้งที่ด้านหน้าหรือด้านหลังด้านซ้ายหรือด้านขวาของเครื่องมือก็ได้ เพื่อให้เหมาะสมกับผู้ใช้ทั้งที่ถนัดมือซ้ายและมือขวา



**คำเตือน:** ใช้งานเครื่องมือโดยมีมือจับเสริมด้านข้างติดตั้งอย่างถูกต้องเสมอ

### D25501, D25601, D25602, D25603

#### การติดตั้งในตำแหน่งข้างหน้า (ภาพ 2A)

- ใส่แหวนเหล็ก (k) ลงบนปลอกสว่าน (x) ด้านหลังที่จับอุปกรณ์ (m) บีบปลายทั้งสองด้านของแหวนเหล็กเข้าหากัน ใส่บุช (l) และสลัก (q)
- ใส่ตัวยึดมือจับเสริมด้านข้าง (j) แล้วขันเกลียววงแหวนยึด (h) โดยยังไม่ต้องขันแน่น



**คำเตือน:** เมื่อประกอบอุปกรณ์ต่างๆ เสร็จแล้วไม่ควรถอดตัวยึดมือจับเสริมด้านข้างออกอีก

- ขันเกลียวมือจับเสริมด้านข้าง (c) เข้าในบุช (l) จากนั้นขันเข้าในวงแหวนยึด โดยขันให้แน่น
- หมุนชุดติดตั้งมือจับเสริมด้านข้างไปยังตำแหน่งที่ต้องการ หากต้องการใช้ดอกสว่านสำหรับงานหนักในการเจาะแนวระนาบ ขอแนะนำให้ติดตั้งมือจับเสริมด้านข้างที่ 20 โดยประมาณ เพราะจะเป็นตำแหน่งที่ควบคุมได้ดีที่สุด
- ล็อคชุดติดตั้งมือจับเสริมด้านข้างเข้าในตำแหน่งโดยการขันวงแหวนสำหรับยึด (h) ให้แน่น

#### การติดตั้งในตำแหน่งข้างหลัง (ภาพ 2B)

ตำแหน่งด้านหลังเป็นตำแหน่งเฉพาะสำหรับการเจาะลงพื้น

- คลายเกลียวมือจับเสริมด้านข้าง (c) แล้วถอดออกจากตำแหน่งด้านหน้า ไม่ต้องถอดชุดติดตั้งมือจับเสริมด้านข้างที่ตำแหน่งด้านหน้าออก
- ขันเกลียวมือจับเสริมด้านข้างเข้าโดยตรงที่ด้านหลังในตำแหน่งใดตำแหน่งหนึ่งของมือจับเสริมด้านข้างส่วนท้าย (i) โดยจะอยู่ที่ด้านซ้ายหรือขวาของเครื่องมือก็ได้

## การใส่และการถอดประกอบอุปกรณ์เสริม SDS Max™ (ภาพ 1, 4A, 4B)

เครื่องมือนี้ใช้ดอกสว่านและดอกสกัด SDS Max® (โปรดดูกรอบเล็กในภาพ 4B ซึ่งแสดงภาพตัดขวางของก้านดอกสว่าน SDS Max®)

- ทำความสะอาดก้านดอกสว่าน
- ดึงปลอกล๊อค (p) กลับ แล้วสอดก้านดอกสว่าน

- หมุนดอกสว่านเล็กน้อยจนกระทั่งปลอกล๊อคเข้าในตำแหน่ง
- ลองดึงดอกสว่านออกเพื่อตรวจสอบว่าดอกสว่านล๊อคอยู่ในตำแหน่งที่ถูกต้องแล้ว สำหรับคุณสมบัติการเจาะตอก ดอกสว่านจะต้องเคลื่อนตามแนวแกนได้หลายเซนติเมตรเมื่อล๊อคอยู่ในตัวจับอุปกรณ์
- การถอดประกอบดอกสว่าน ให้ดึงปลอกล๊อค (p) ที่จับอุปกรณ์/ปลอกล๊อคกลับ แล้วดึงดอกสว่านออกจากที่จับอุปกรณ์

## การเลือกโหมดการทำงาน (ภาพ 1)



**การเจาะทะลุ:** D25501, D25601, D25602, D25603 สำหรับการเจาะคอนกรีต อิฐ ก้อนหิน และปูน



**เฉพาะการเจาะตอกเท่านั้น:** D25501, D25601, D25602, D25603 สำหรับการฉากและการสกัดเจาะทำลาย ในโหมดนี้ สามารถใช้เครื่องมือเป็นตัวจับดอกสว่านที่ติดตั้งอยู่อย่างถาวรได้อีกด้วย

- การเลือกโหมดการทำงาน ให้หมุนสวิตช์ปรับโหมด (f) จนกระทั่งเครื่องหมายอยู่ตรงกับสัญลักษณ์ของโหมดที่ต้องการ  
อาจจำเป็นต้องบิดที่จับเครื่องมือ (m) เล็กน้อยเพื่อให้สวิตช์ปรับโหมด (f) สามารถผ่านตำแหน่ง **0** ไปได้
- ตรวจสอบว่าสวิตช์ปรับโหมด (f) ล็อคอยู่ในตำแหน่งดีแล้ว

## การกำหนดตำแหน่งของดอกสกัด (ภาพ 5) D25501, D25601, D25602, D25603

ดอกสกัดสามารถกำหนดและล็อคตำแหน่งได้ถึง 18 ตำแหน่ง

- หมุนสวิตช์ปรับโหมด (f) จนกระทั่งเครื่องหมายอยู่ตรงกับตำแหน่ง **0**
- หมุนดอกสกัดในตำแหน่งที่ต้องการ
- ตั้งสวิตช์ปรับโหมด (f) ไปที่ตำแหน่ง “การเจาะตอกเท่านั้น”
- บิดดอกสกัดจนกระทั่งดอกสกัดเข้าล็อคในตำแหน่ง

## การปรับตั้งปุ่มเลื่อนควบคุมความเร็วและแรงกระแทกแบบอิเล็กทรอนิกส์ (ภาพ 1, 3)

D25601, D25602, D25603

หมุนปุ่มเลื่อน (g) ไปยังระดับที่ต้องการ หมุนปุ่มเลื่อนขึ้นหากต้องการความเร็วเพิ่มขึ้น และหมุนปุ่มเลื่อนลง

หากต้องการให้ความเร็วลดลง การปรับตั้งค่าที่จำเป็นต้องอาศัยประสบการณ์เป็นสิ่งสำคัญ ตัวอย่างเช่น

- เมื่อสกั้ววัสดุที่อ่อนหรือแตกหักง่าย หรือเมื่อต้องการให้มีการแตกหักน้อยที่สุด ให้ปรับตั้งปุ่มเลื่อนไปที่ค่าต่ำ
- เมื่อเจาะวัสดุที่แข็งมากขึ้น ให้ปรับตั้งปุ่มเลื่อนไปที่ค่าสูง

## การปรับตั้งสวิตช์ควบคุมแรงบิด (ภาพ 3)

D25602, D25603

**ข้อสังเกต:** ปิดเครื่องมือทุกครั้งก่อนที่จะปรับตั้งตัวควบคุมแรงบิด มิฉะนั้นเครื่องมืออาจชำรุดเสียหายได้

เลื่อนก้านควบคุมแรงบิด (t) ไปที่ค่า 40 Nm หรือ 80 Nm ตามการใช้งาน

ค่าคลัตช์ที่ 40 Nm (u) ได้รับการออกแบบมาสำหรับการใช้ในงานเจาะส่วนใหญ่ และออกแบบมาให้ปล่อยคลัตช์รอกง่ายในกรณีที่ใช้ดอกสว่านเจาะถูกเหล็กเส้นหรือวัสดุแปลกปลอมอื่นๆ

ค่าคลัตช์ที่ 80 Nm (v) ได้รับการออกแบบมาสำหรับการใช้ในงานที่ต้องการแรงบิดสูง เช่น การเจาะคว้าน และการเจาะรูลึกๆ อีกทั้งค่าคลัตช์นี้ยังออกแบบมาให้มีการปล่อยคลัตช์ที่จุดเริ่มเปลี่ยนแรงบิดที่สูงขึ้นด้วย

**หมายเหตุ:** ปล่อยให้ตัวมอเตอร์หมุนเล็กน้อยในขณะที่เปลี่ยนแรงบิด

ทุกครั้งที่เสียบปลั๊ก เครื่องมือจะกลับไปเริ่มต้นที่ค่าคลัตช์ 40 Nm (u) โดยอัตโนมัติ, ค่าการเจาะแบบหมุนเร็วที่สุด

## ก้านปรับระยะการเจาะ (ภาพ 1)

D25501, D25601, D25602, D25603

### การปรับตั้งก้านปรับระยะการเจาะ

1. กดปุ่มปลดล็อกก้านปรับระยะการเจาะ (n) ดังไว้ โดยปุ่มนี้อยู่บนมือจับเสริมด้านข้าง
2. เลื่อนก้านปรับระยะการเจาะ (o) โดยให้ระยะห่างระหว่างปลายก้านปรับและปลายดอกสว่านมีขนาดเท่ากับความลึกของรูที่ต้องการเจาะ
3. ปล่อยปุ่มเพื่อล็อกก้านปรับเข้าในตำแหน่ง เมื่อทำการเจาะโดยใช้ก้านปรับระยะการเจาะ ให้หยุดทันทีที่ปลายก้านปรับสัมผัสกับพื้นผิววัสดุ

## การใช้งานเครื่อง วิธีการใช้เครื่อง



**คำเตือน:** ทำตามคำแนะนำด้านความปลอดภัยและข้อกำหนดที่ให้เสมอ



**คำเตือน:** เพื่อลดความเสี่ยงจากการบาดเจ็บสาหัส ให้ปิดเครื่องมือและถอดปลั๊กเครื่องมือออกจากแหล่งจ่ายไฟก่อนการปรับตั้งใดๆ หรือก่อนการถอด/ประกอบอุปกรณ์เสริมหรืออุปกรณ์ประกอบ



**คำเตือน:** ดอกสว่าน/ดอกสก็้ออาจยังร้อนอยู่ ดังนั้นควรสวมถุงมือในขณะที่เปลี่ยนหรือถอดประกอบอุปกรณ์เหล่านั้น ทั้งนี้เพื่อป้องกันไม่ให้เกิดการบาดเจ็บ



**คำเตือน:**

- ระวังตำแหน่งของระบบท่อน้ำและสายไฟ
- ออกแรงกดไปยังเครื่องมือเพียงเบาๆ (ประมาณ 20 กก.) การออกแรงกดมากเกินไป ไม่ได้ช่วยให้สามารถเจาะได้เร็วขึ้น แต่ยังเป็นกการลดประสิทธิภาพของเครื่องมือ และทำให้เครื่องมืออายุการใช้งานสั้นลงอีกด้วย
- จับเครื่องมือด้วยมือทั้งสองข้างให้แน่น และอยู่ในท่ายืนที่มั่นคง ใช้งานเครื่องมือโดยมีมือจับเสริมด้านข้างติดตั้งอย่างถูกต้องเสมอ

**หมายเหตุ:** อุณหภูมิที่เหมาะสมสำหรับการใช้งานเครื่อง D25501 คือ -7° ถึง +40°C (19° ถึง 104°F) หากใช้เครื่องมือภายใต้อุณหภูมิที่นอกเหนือจากนี้ จะเป็นสาเหตุทำให้อายุการใช้งานของเครื่องมือสั้นลง

## ตำแหน่งของมือที่ถูกต้อง (ภาพ 6)



**คำเตือน:** เพื่อลดความเสี่ยงจากการบาดเจ็บสาหัส ให้วางมือในตำแหน่งที่ถูกต้องเสมอ ดังที่แสดงในภาพ



**คำเตือน:** เพื่อลดความเสี่ยงจากการได้รับบาดเจ็บสาหัส จะต้องจับเครื่องมือให้แน่นอยู่เสมอ เพื่อในกรณีที่เกิดการตอบสนองขึ้นแบบทันทีทันใด

ตำแหน่งของการจับที่ถูกต้องคือ มือหนึ่งอยู่บนมือจับเสริมด้านข้าง (c) อีกมือหนึ่งอยู่บนมือจับตัวหลัก (d)

## การเปิดและปิดสวิตช์ (ภาพ 1)

D25501, D25601, D25602, D25603

กดสวิตช์ปรับเปิด/ปิด (a) เพื่อเปิดเครื่อง ปล่อยสวิตช์เปิด/ปิด เพื่อปิดเครื่อง

## D25501, D25601, D25602, D25603

ปุ่มล็อค (b) ใช้สำหรับการล็อคสวิตช์เปิด/ปิด (a) ในโหมดการสกดเท่านั้น หากมีการใช้งานปุ่มล็อคในโหมดการเจาะ เครื่องมือจะปิดโดยอัตโนมัติ

กดสวิตช์เปิด/ปิด (a) เพื่อเปิดเครื่อง

ปล่อยสวิตช์ เพื่อปิดเครื่อง

สำหรับการใช้งานอย่างต่อเนื่อง ให้กดสวิตช์เปิด/ปิด (a)

ค้างไว้ เลื่อนปุ่มล็อค (b) ขึ้น แล้วปล่อยสวิตช์

เมื่อต้องการหยุดใช้งานเครื่องที่กำลังทำงานอย่างต่อเนื่อง ให้กดสวิตช์ช่วงสั้นๆ แล้วปล่อย ปิดสวิตช์เครื่องมือทุกครั้ง เมื่อทำงานเสร็จและก่อนดึงปลั๊กออก

## การเจาะกระแทก

กดสวิตช์เปิด/ปิด (a) เพื่อเปิดเครื่อง

ปล่อยสวิตช์ เพื่อปิดเครื่อง

## การเจาะโดยใช้ดอกสว่านชนิดแข็ง (ภาพ 1)

### D25501, D25601, D25602, D25603

1. ใส่ดอกสว่านที่เหมาะสม
2. ตั้งสวิตช์ปรับโหมด (f) ไปที่ตำแหน่งการเจาะกระแทก
3. เฉพาะ D25601, D25602, D25603 เท่านั้น:  
ปรับตั้งปุ่มเลื่อนควบคุมความเร็วและแรงกระแทกแบบอิเล็กทรอนิกส์ (g)
4. ประกอบและปรับตั้งมือจับเสริมด้านข้าง (c)
5. ทำเครื่องหมายจุดที่ต้องการเจาะรู
6. แตะดอกสว่านลงบนจุดนั้น แล้วเปิดสวิตช์เครื่องมือ
7. ปิดสวิตช์เครื่องมือทุกครั้งเมื่อทำงานเสร็จและก่อนดึงปลั๊กออก

## การเจาะโดยใช้ดอกสว่านเจาะคว้าน (ภาพ 1)

1. ใส่ดอกสว่านเจาะคว้านที่เหมาะสม
2. ประกอบดอกสว่านนำศูนย์เข้ากับดอกสว่านเจาะคว้าน
3. ตั้งสวิตช์ปรับโหมด (f) ไปที่ตำแหน่งการเจาะกระแทก
4. เฉพาะ D25601, D25602, D25603 เท่านั้น:  
หมุนปุ่มเลื่อนควบคุมความเร็วและแรงกระแทกแบบอิเล็กทรอนิกส์ (g) ไปที่ค่าความเร็วปานกลางหรือความเร็วสูง
5. ประกอบและปรับตั้งมือจับเสริมด้านข้าง (c)
6. แตะดอกสว่านนำศูนย์ลงบนจุดนั้น แล้วเปิดสวิตช์เครื่องมือ เจาะเข้าไปจนกระทั่งดอกสว่านเจาะคว้านทะลุผ่านเข้าไปในคอนกรีตประมาณ 1 ซม.
7. หยุดเครื่องมือและนำดอกสว่านนำศูนย์ออก ใส่ดอกสว่านเจาะคว้านกลับเข้าไปในช่องเจาะ แล้วเริ่มเจาะต่อไป

8. เมื่อเจาะผ่านโครงสร้างที่หนากว่าความลึกของดอกสว่านเจาะคว้าน ให้ถอนออกจากช่องเจาะในคอนกรีตหรือแกนคว้านภายในดอกสว่านที่ช่วงชักปกติ

เพื่อหลีกเลี่ยงไม่ให้คอนกรีตรอบๆ ช่องที่เจาะมีการแตกออก ก่อนอื่น ให้ใช้ดอกสว่านนำศูนย์เจาะรูตรงกลางจนทะลุผ่านโครงสร้าง จากนั้นเจาะรูคว้านเพียงครึ่งหนึ่งเข้ามาจากแต่ละด้าน

9. ปิดสวิตช์เครื่องมือทุกครั้งเมื่อทำงานเสร็จ และก่อนดึงปลั๊กออก

## การสกดและการถาก (ภาพ 1)

### D25501, D25601, D25602, D25603

1. ใส่หัวสกดที่เหมาะสม แล้วหมุนหัวสกดด้วยมือเพื่อล็อคเข้าในตำแหน่งใดตำแหน่งหนึ่งใน 18 ตำแหน่ง
2. ตั้งสวิตช์ปรับโหมด (f) ไปที่ตำแหน่ง “การเจาะตอกเท่านั้น”
3. เฉพาะ D25601, D25602, D25603 เท่านั้น:  
ปรับตั้งปุ่มเลื่อนควบคุมความเร็วและแรงกระแทกแบบอิเล็กทรอนิกส์ (g)
4. ประกอบและปรับตั้งมือจับเสริมด้านข้าง (c)
5. เปิดสวิตช์เครื่องมือและเริ่มทำงาน
6. ปิดสวิตช์เครื่องมือทุกครั้งเมื่อทำงานเสร็จ และก่อนดึงปลั๊กออก

## การบำรุงรักษา

เครื่องมือไฟฟ้า DEWALT ออกแบบมาเพื่อให้สามารถใช้งานได้อย่างยาวนานต่อเนื่องด้วยการบำรุงรักษาที่น้อยที่สุด การทำงานที่สร้างความพึงพอใจอย่างต่อเนื่องจะขึ้นอยู่กับ การดูแลรักษาที่เหมาะสมและการทำความสะอาดอย่างสม่ำเสมอ



**คำเตือน:** เพื่อลดความเสี่ยงจากการบาดเจ็บ ให้ปิดเครื่องมือและถอดปลั๊กเครื่องมือออกจากแหล่งจ่ายไฟก่อนการประกอบและถอดอุปกรณ์เสริม ก่อนการปรับแต่งหรือเปลี่ยน การตั้งค่า หรือในขณะที่ทำการซ่อมแซม สวิตช์เปิด/ปิด ต้องอยู่ในตำแหน่ง “ปิด” การปล่อยเปิดเครื่องโดยไม่ได้ตั้งใจอาจทำให้เกิดการบาดเจ็บได้

เครื่องมือนี้ผู้ใช้ไม่สามารถซ่อมเองได้ โปรดนำเครื่องมือไปยังศูนย์บริการ DEWALT ที่ได้รับอนุญาต เมื่อใช้งานเครื่องมือมาแล้วประมาณ 150 ชั่วโมง หากมีปัญหากเกิดขึ้นก่อนกำหนดดังกล่าว ให้ติดต่อศูนย์บริการ DEWALT ที่ได้รับอนุญาต



### แปร่ง (ภาพ 3)

แปร่งด้านชนิดนี้ผู้ใช้ไม่สามารถซ่อมเองได้ โปรดนำเครื่องมือเข้ารับการซ่อมที่ศูนย์บริการ DEWALT ที่ได้รับอนุญาต

ไฟ LED สีเหลืองแสดงการสึกหรอของแปร่ง (r) จะติดสว่างเมื่อแปร่งด้านใกล้ชำรุดสึกหรอ หากใช้แปร่งต่อไปอีก 8 ชั่วโมงหรือหากแปร่งสึกหรอหมดแล้ว มอเตอร์จะปิดการทำงานโดยอัตโนมัติ

เครื่องมือต้องได้รับการซ่อมบำรุงทันทีที่ไฟแสดงความผิดปกติ (s) ติดสว่าง



### การหล่อลื่น

ไม่ต้องใช้สารหล่อลื่นเพิ่มเติมกับเครื่องมือไฟฟ้านี้



### การทำความสะอาด



**คำเตือน:** เป่าสิ่งสกปรกและฝุ่นละอองที่สะสมออกจากตัวเครื่องเป็นประจำด้วยลมแห้ง เนื่องจากสิ่งสกปรกมักสะสมอยู่ภายในและรอบๆ ช่องระบายอากาศ สวมอุปกรณ์ป้องกันดวงตาและหน้ากากกันฝุ่นที่ได้มาตรฐานในขณะดำเนินการขั้นตอนนี้



**คำเตือน:** ห้ามใช้สารที่เป็นตัวทำละลายหรือสารเคมีที่มีฤทธิ์กัดกร่อนรุนแรงอื่นๆ ทำความสะอาดชิ้นส่วนที่ไม่ใช่โลหะของเครื่องมือ สารเคมีเหล่านี้อาจส่งผลต่อวัสดุที่ใช้ในชิ้นส่วนเหล่านี้ ใช้เฉพาะผ้าชุบน้ำสบู่อ่อนๆ เท่านั้น อย่าให้มีของเหลวค้างอยู่ในเครื่อง ห้ามจุ่มส่วนใดๆ ของเครื่องมือลงในของเหลว

### อุปกรณ์เสริม



**คำเตือน:** เนื่องจากอุปกรณ์เสริมอื่นนอกเหนือจากที่ DEWALT มีจำหน่าย ไม่ได้ผ่านการทดสอบร่วมกับผลิตภัณฑ์นี้ จึงอาจก่อให้เกิดอันตรายได้หากใช้อุปกรณ์เสริมดังกล่าวร่วมกับเครื่องมือนี้ เพื่อเป็นการลดความเสี่ยงจากการได้รับบาดเจ็บ ให้ใช้อุปกรณ์เสริมเฉพาะที่ DEWALT แนะนำให้ใช้ร่วมกับผลิตภัณฑ์นี้เท่านั้น

ดอกสว่านและดอกสกัด SDS Max® ชนิดต่างๆ มีจำหน่ายเป็นอุปกรณ์เสริม

โปรดติดต่อตัวแทนจำหน่ายหากต้องการข้อมูลเพิ่มเติมเกี่ยวกับอุปกรณ์เสริมที่เหมาะสม

### การปกป้องสิ่งแวดล้อม



การเก็บรวบรวมแบบคัดแยก ห้ามทิ้งผลิตภัณฑ์นี้รวมกับขยะในครัวเรือนปกติ

หากวันหนึ่งคุณพบว่า จำเป็นต้องเปลี่ยนผลิตภัณฑ์ DEWALT ของคุณ หรือถ้าเครื่องมือนี้ไม่เป็นประโยชน์สำหรับคนอื่นต่อไป อย่าทิ้งผลิตภัณฑ์นี้รวมกับขยะในครัวเรือน จัดการกับผลิตภัณฑ์นี้เพื่อการเก็บรวบรวมแบบคัดแยก



การเก็บรวบรวมแบบคัดแยกสำหรับบรรจุภัณฑ์และผลิตภัณฑ์ที่ใช้แล้วทำให้สามารถรีไซเคิลวัสดุและนำมาใช้งานอีกครั้ง การนำวัสดุรีไซเคิลมาใช้อีกครั้งจะช่วยป้องกันมลพิษต่อสิ่งแวดล้อมและลดความต้องการวัตถุดิบ

ตามกฎหมายที่เกี่ยวข้องถิ่นอาจมีการจัดเตรียมสถานที่สำหรับการเก็บรวบรวมแบบคัดแยกอุปกรณ์ไฟฟ้าที่ใช้ภายในครัวเรือนไว้ ณ แหล่งรับขยะของเทศบาล หรืออาจมีการรับอุปกรณ์ใช้แล้วจากผู้ค้าปลีกในกรณีที่คุณซื้อผลิตภัณฑ์ชิ้นใหม่

DEWALT พร้อมให้ความสะดวกในการเก็บรวบรวมและรีไซเคิลผลิตภัณฑ์ DEWALT เมื่อผลิตภัณฑ์เหล่านี้หมดอายุการใช้งาน หากต้องการรับบริการดังกล่าวจากเรา โปรดส่งผลิตภัณฑ์ของคุณคืนศูนย์บริการที่ได้รับอนุญาต ซึ่งจะทำหน้าที่เป็นตัวแทนของเราในการเก็บรวบรวมผลิตภัณฑ์

คุณสามารถตรวจสอบที่อยู่ของศูนย์บริการใกล้บ้านที่ได้รับอนุญาตโดยติดต่อไปที่สำนักงาน DEWALT ประจำพื้นที่ตามที่อยู่ที่คุณอยู่ในคู่มือนี้ หรือ คุณอาจตรวจเช็ครายชื่อศูนย์บริการ DEWALT ที่ได้รับอนุญาต รวมทั้งรายละเอียดต่างๆ ของบริการหลังการขายได้ทางอินเทอร์เน็ต ที่:

[www.2helpU.com](http://www.2helpU.com)