

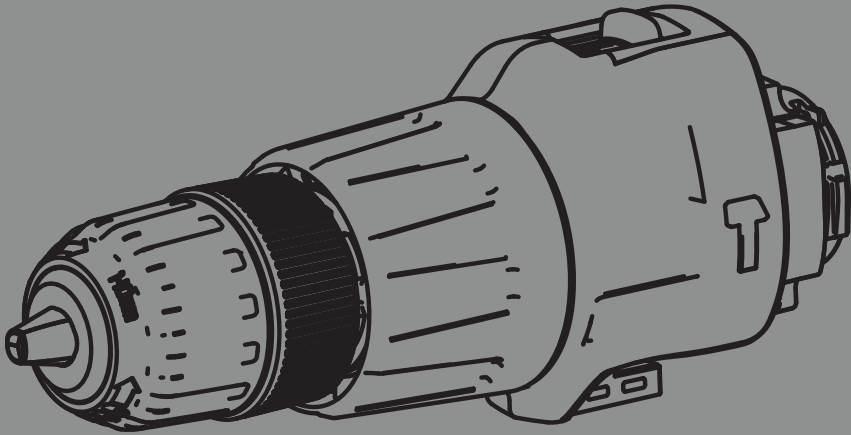
BLACK & DECKER®

EN

MATRIX™

QUICK CONNECT SYSTEM

**HAMMERDRILL
ATTACHMENT**



www.blackanddecker.com.au

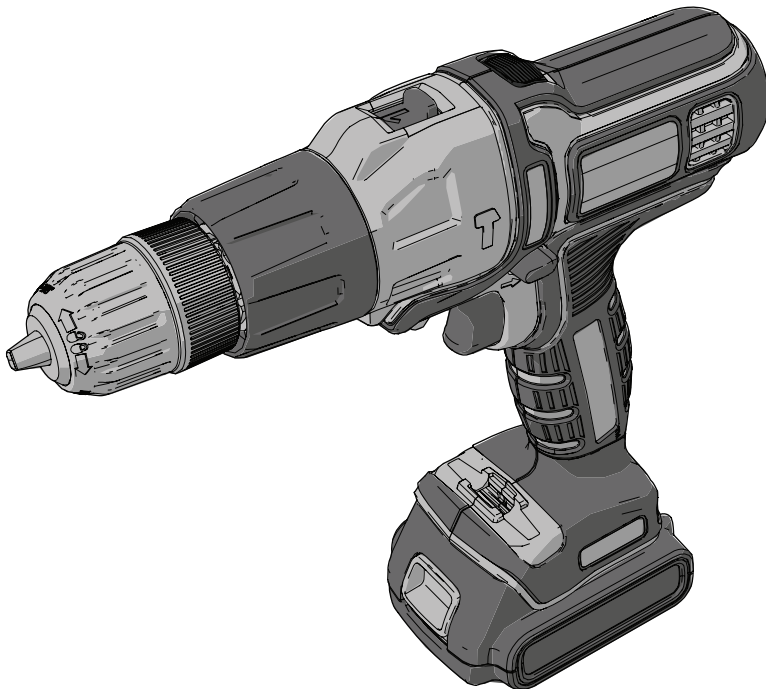
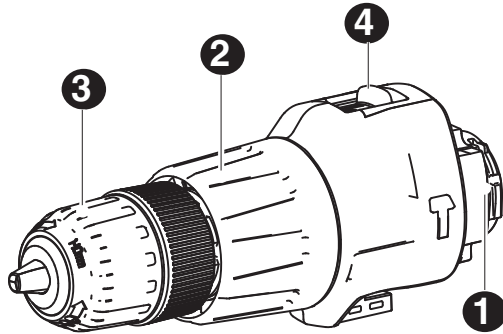
Australia

BDCMTHD-XE

New Zealand

PARTS AND FEATURES

1. Hammer drill/screwdriver attachment
2. Torque adjustment collar
3. Keyless chuck
4. Two gear shifter



Additional accessories are available at extra cost from your local Black & Decker dealer.

Intended use

Your Black & Decker multi-purpose tool has been designed for a wide range of DIY applications. Using the hammer drill head, this tool is intended for screwdriving applications and for drilling in wood, metal, plastics and soft masonry.

This tool is intended for consumer use only.

Safety instructions

General power tool safety warnings



WARNING! To reduce the risk of injury, the user must read the instruction manual.

General power tool safety warnings



WARNING! Read all safety warnings and all instructions. Failure to follow the warnings and instructions listed below may result in electric shock, fire and/or serious injury.



WARNING! Read all safety warnings and all instructions provide with your power unit (BDCDMT108-XE, BDCDMT180-XE) before using this accessory.

⚠ WARNING: Read all safety warnings and all instructions. Failure to follow the warnings and instructions may result in electric shock, fire and/or serious injury.

SPECIFIC SAFETY RULES

- **Wear ear protectors with impact drills.** *Exposure to noise can cause hearing loss.*
- **Use auxiliary handles supplied with the tool.** *Loss of control can cause personal injury.*
- **Hold power tool by insulated gripping surfaces, when performing an operation where the cutting accessory may contact hidden wiring or its own cord.** *Cutting accessory contacting a “live” wire may make exposed metal parts of the power tool “live” and could give the operator an electric shock.*
- **Use clamps or another practical way to secure and support the work piece to a stable platform.** *Holding the work by hand or against your body leaves it unstable and may lead to loss of control.*
- **When not in use, place tool on its side on a stable surface where it will not cause a tripping or falling hazard.** *Some tools with large battery packs will stand upright but may be easily knocked over.*
- **Keep your hair, clothing, and gloves away from air vents.** *Air vents often cover moving parts in which these items can be caught.*
- **Hold tool firmly with two hands, one hand on the handle, and the other gripping the bottom around the battery area.** *Use auxiliary handle if provided. Loss of control can cause personal injury.*

⚠ WARNING: ALWAYS use safety glasses. Everyday eyeglasses are NOT safety glasses. Also use face or dust mask if drilling operation is dusty. ALWAYS WEAR CERTIFIED SAFETY EQUIPMENT:

- ANSI Z87.1 eye protection (CAN/CPA Z94.3),
- ANSI S12.6 (S3.19) hearing protection,
- NOSH/OSHA respiratory protection.

⚠ WARNING: Use of this tool can generate and/or disperse dust, which may cause serious and permanent respiratory or other injury. Always use NOSH/OSHA approved respiratory protection appropriate for the dust exposure. Direct particles away from face and body.

SYMBOLS

The label on your tool may include the following symbols. The symbols and their definitions are as follows:

V.....volts	A.....amperes
Hz.....hertz	W.....watts
min.....minutes	~.....alternating current
===.....direct current	n_0no load speed
⚠.....Class I Construction (grounded)	⊕.....earthing terminal
▣.....Class II Construction (double insulated)	⚠.....safety alert symbol
📖.....Read instruction manual before use	⚙.....revolutions or reciprocation per minute
👁.....Use proper eye protection	🧴.....Use proper respiratory protection
	👂.....Use proper hearing protection

SAVE THESE INSTRUCTIONS

OPERATING INSTRUCTIONS

⚠WARNING: Shock hazard. Under no circumstances should this product be used near water.

⚠WARNING: Risk of lacerations or burns. Do not touch work piece or accessory immediately after operating the tool. They can become very hot. Handle carefully. Always allow accessories and work piece to cool before handling.

⚠WARNING: To reduce the risk of injury, turn off and remove battery from tool or disconnect plug from power source before making any adjustments or removing or installing attachments or accessories. Remove any accessory from the attachment before removing or installing the attachment.

NOTE: Refer to Power Unit instruction manual before operating this tool for all safety warnings and details on installing and removing attachments.


OPERATION

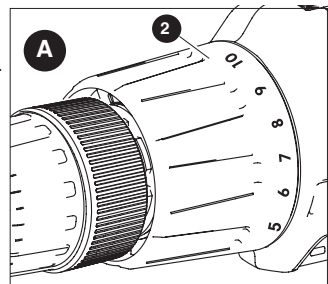
- To switch the tool on, press the variable speed switch on the power unit. The tool speed depends on how far you press the switch.
- To switch the tool off, release the variable speed switch.

ADJUSTING TORQUE CONTROL (FIGURE A)

This tool is fitted with a torque adjustment collar (2) to select the operating mode and to set the torque for tightening screws.

Large screws and hard workpiece materials require a higher torque setting than small screws and soft workpiece materials.

- For drilling in wood, metal and plastics, set the collar to the drilling position symbol 
- For screwdriving, set the collar to the desired setting. If you do not yet know the appropriate setting, proceed as follows:
 - Set the collar to the lowest torque setting.
 - Tighten the first screw.
 - If the clutch ratchets before the desired result is achieved, increase the collar setting and continue tightening the screw. Repeat until you reach the correct setting. Use this setting for the remaining screws.



HAMMER ACTION

Your drill has hammer action which is engaged by twisting the torque collar to the hammer symbol . Use hammer action and masonry drill bit when drilling in masonry.

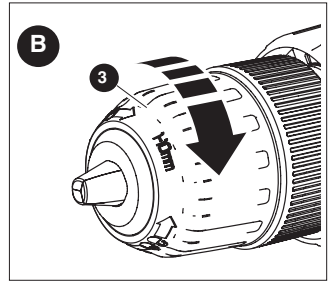
KEYLESS CHUCK (FIGURE B)

⚠ WARNING: Make certain the lock-off button is engaged to prevent switch actuation before installing or removing accessories.

⚠ WARNING: Do not attempt to tighten drill bits (or any other accessory) by gripping the front part of the chuck and turning the tool on. Damage to the chuck and personal injury may occur when changing accessories.

To insert a drill bit or other accessory:

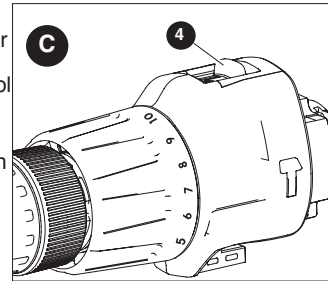
- Grasp the chuck (3) and rotate it in the counterclockwise direction, as viewed from the chuck end.
- Insert the bit or other accessory fully into the chuck, and tighten securely by rotating the chuck in the clockwise direction as viewed from the chuck end.

**DUAL RANGE GEARING (FIGURE C)**

The dual range feature of your drill allows you to shift gears for greater versatility.

- To select low speed, high torque setting (position 1), turn tool off and permit to stop.
- Slide gear shifter button (4) away from the chuck.
- To select the high speed, low torque setting (position 2), turn tool off and permit to stop.
- Slide gear shifter button toward the chuck.

NOTE: Do not change gears when tool is running. If you are having trouble changing gears, make sure that the dual range gear button is either completely pushed forward or completely pushed back.

**SCREW DRIVING**

For driving fasteners, the reversing button should be pushed to the left. Use reverse (button pushed to the right) for removing fasteners. When moving from forward to reverse, or vice versa, always release the trigger switch first.

DRILLING

- Use sharp drill bits only.
- Support and secure work properly, as instructed in the Safety Instructions.
- Use appropriate and required safety equipment, as instructed in the Safety Instructions.
- Secure and maintain work area, as instructed in the Safety Instructions.
- Run the drill very slowly, using light pressure, until the hole is started enough to keep the drill bit from slipping out of it.
- Apply pressure in a straight line with the bit. Use enough pressure to keep the bit biting but not so much as to stall the motor or deflect the bit.
- Hold the drill firmly with two hands, one hand on the handle, and the other gripping the bottom around the battery area.
- **DO NOT CLICK THE TRIGGER OF A STALLED DRILL OFF AND ON IN AN ATTEMPT TO START IT. DAMAGE TO THE DRILL CAN RESULT.**
- Minimize stalling on breakthrough by reducing pressure and slowly drilling through the last part of the hole.
- Keep the motor running while pulling the bit out of a drilled hole. This will help reduce jamming.
- **Make sure switch turns drill on and off.**

DRILLING IN WOOD

Holes in wood can be made with the same twist drill bits used for metal or with spade bits. These bits should be sharp and should be pulled out frequently when drilling to clear chips from the flutes.

DRILLING IN METAL

Use a cutting lubricant when drilling metals. The exceptions are cast iron and brass which should be drilled dry. The cutting lubricants that work best are sulfurized cutting oil or lard oil.

DRILLING IN MASONRY

Use carbide tipped masonry bits. Refer to Drilling section. Keep even force on the drill but not so much that you crack the brittle material. A smooth, even flow of dust indicates the proper drilling rate.

TROUBLESHOOTING

Problem

- Unit will not start.

Possible Cause

- Attachment is not secured.

Possible Solution

- Make certain the attachment is fully pushed into the Power Unit.

MAINTENANCE

Use only mild soap and damp cloth to clean the tool. Never let any liquid get inside the tool; never immerse any part of the tool into a liquid.

IMPORTANT: To assure product SAFETY and RELIABILITY, repairs, maintenance and adjustment (other than those listed in this manual) should be performed by authorized service centers or other qualified service personnel, always using identical replacement parts.

ACCESSORIES

- ⚠ WARNING:** The use of any accessory not recommended for use with this tool could be hazardous. Recommended accessories for use with your tool are available from your local dealer or authorized service center. If you need assistance regarding accessories, please call: **1-800-444-224**

Technical data

when operate with 18V MATRIX unit

Hammer drill		BDCMTHD-XE
No-load speed	min ⁻¹	0-500/0-1600 (RPM) 24000 BPM
Max. torque (PTI Rating)	Nm	46
Chuck capacity	mm	10
Max Drilling capacity		
Steel/wood/ masonry	mm	10/25/10
Weight	g	700

Level of sound pressure according to EN 60745:
Sound pressure (L_{pA}) 86.3 dB(A), uncertainty (K) 3 dB(A)
Sound power (L_{WA}) 97.3 dB(A), uncertainty (K) 3 dB(A)

Vibration total values (triax vector sum) according to EN 60745:
Screwdriving without impact ($a_{h,S}$) 1.6 m/s ² , uncertainty (K) 1.5 m/s ²
Drilling into metal ($a_{h,D}$) < 2.0 m/s ² , uncertainty (K) 1.5 m/s ²
Impact drilling into concrete ($a_{h,ID}$) 11.5 m/s ² , uncertainty (K) 1.5 m/s ²

Australia & New Zealand

Stanley Black & Decker

82 Taryn Drive, Epping, VIC 3076 Australia

Tel.1800 444 224 (Aust) or Tel. 0800 339 258 (NZ)