



Fig. A

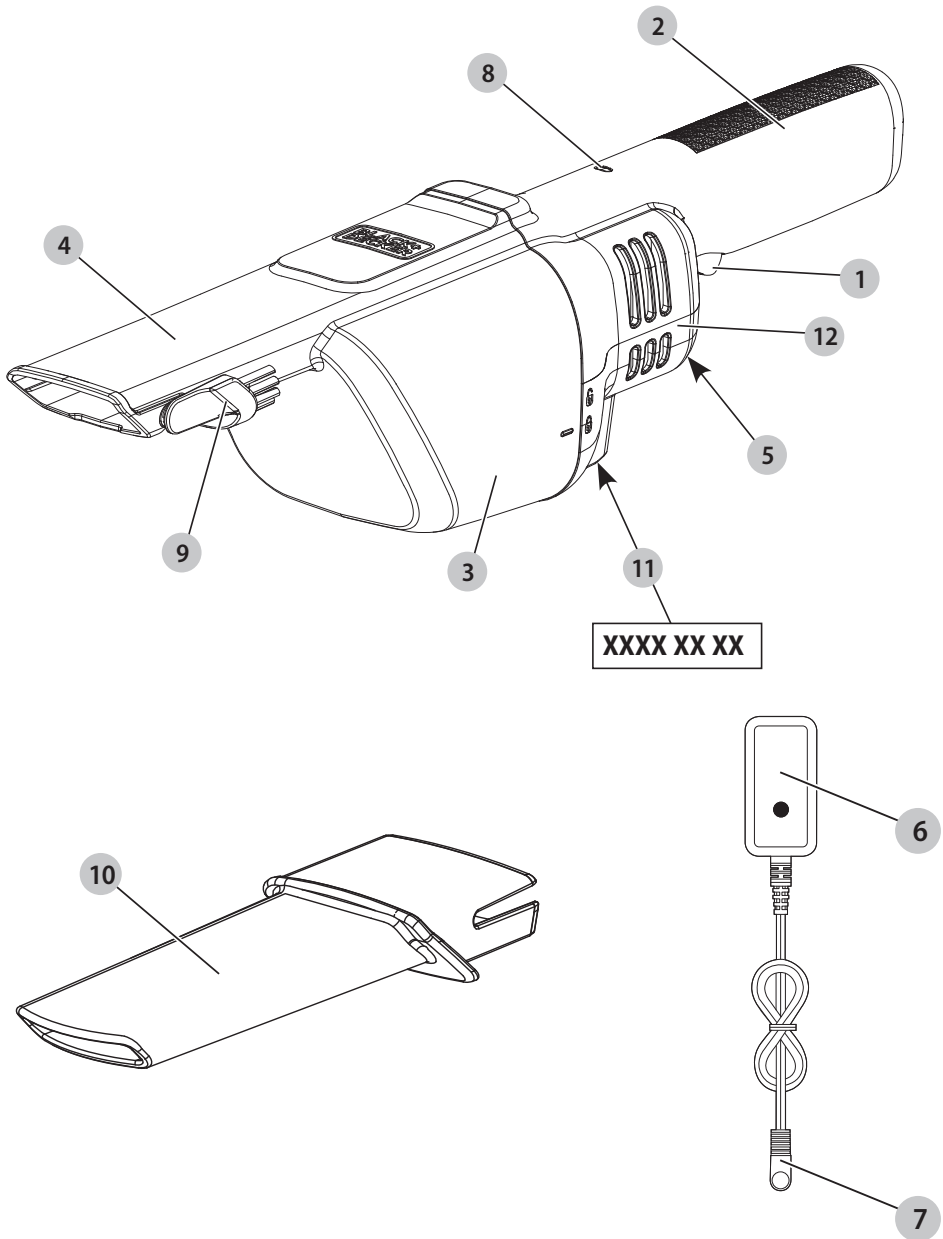


Fig. B

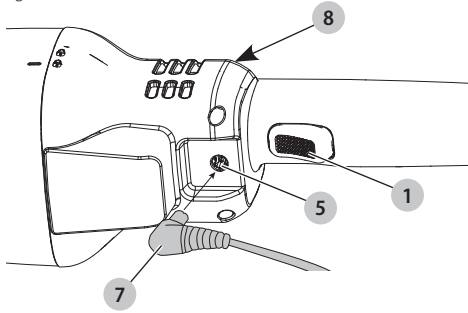


Fig. C

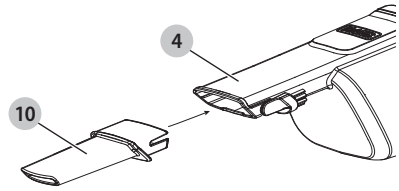


Fig. D

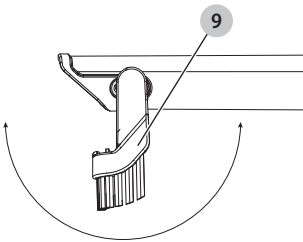


Fig. E

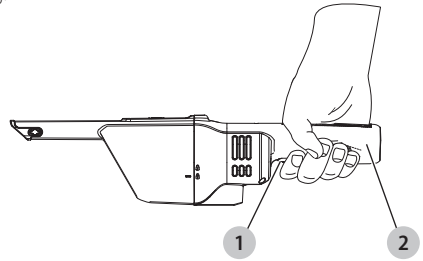


Fig. F

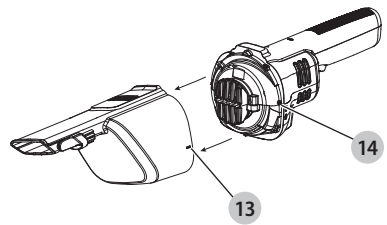
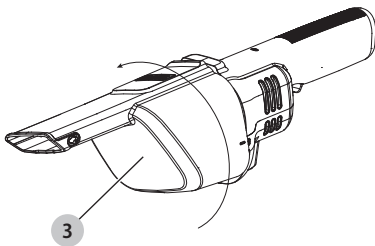
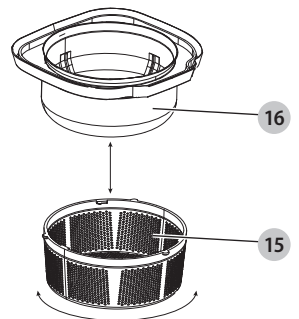
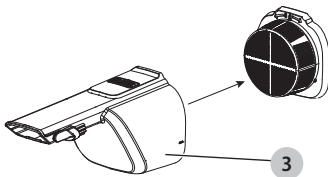


Fig. G



CORDLESS VACUUM

NVD215J

Safety instructions



WARNING: Read all safety warnings and all instructions.

Failure to follow the warnings and instructions listed below may result in electric shock, fire and/or serious injury.



WARNING: When using battery-powered appliances, basic safety precautions, including the following, should always be followed to reduce the risk of fire, leaking batteries, personal injury and material damage.

- Read all of this manual carefully before using the appliance.
- The intended use is described in this manual. The use of any accessory or attachment or the performance of any operation with this appliance other than those recommended in this instruction manual may present a risk of personal injury.
- Retain this manual for future reference.

Using your appliance

- This appliance contains batteries that are only replaceable by skilled persons.
- Do not use the appliance to pick up liquids or any materials that could catch fire.
- Do not use the appliance near water.
- Do not immerse the appliance in water.
- Never pull the charger lead to disconnect the charger from the socket. Keep the charger lead away from heat, oil and sharp edges.
- Keep hair, loose clothing, fingers, and all parts of body away from openings and moving parts.
- Do not use without dust bag and/or filters in place.
- This appliance can be used by children aged from 8 years and above and persons with reduced physical, sensory or mental capabilities or lack of experience and knowledge if they have been given supervision or instruction concerning use of the appliance in a safe way and understand the hazards involved. Children shall not play with the appliance. Cleaning and user maintenance shall not be made by children without supervision.

Inspection and Repairs

- Before use, check the appliance for damaged or defective parts. Check for breakage of parts, damage to switches and any other conditions that may affect its operation.
- Do not use the appliance if any part is damaged or defective.
- Have any damaged or defective parts repaired or replaced by an authorized repair agent.
- Regularly check the charger lead for damage. Replace the charger if the lead is damaged or defective.
- Never attempt to remove or replace any parts other than those specified in this manual.

Additional Safety Instructions

- When not in use, the appliance should be stored in a dry place.
- Children should not have access to stored appliances.

Residual Risks

In spite of the application of the relevant safety regulations and the implementation of safety devices, certain residual risks cannot be avoided. These are:

- *Impairment of hearing.*
- *Risk of personal injury due to flying particles.*
- *Risk of inhaling fumes when working with adhesives.*
- *Risk of inhaling hazardous dust.*

SAVE THESE INSTRUCTIONS

Batteries and Chargers

Batteries

- Never attempt to open for any reason.
- Do not expose the battery to water.
- Do not expose the battery to heat.
- Do not store in locations where the temperature may exceed 40°C.
- Charge only at ambient temperatures between 10°C and 40°C.
- Charge only using the charger provided with the appliance/tool. Using the wrong charger could result in an electric shock or overheating of the battery.
- When disposing of batteries, follow the instructions given in the section "Protecting the environment".
- Do not damage/deform the battery pack either by puncture or impact, as this may create a risk of injury and fire.
- Do not charge damaged batteries.
- Under extreme conditions, battery leakage may occur. When you notice liquid on the batteries carefully wipe the liquid off using a cloth. Avoid skin contact.
- In case of skin or eye contact, follow the instructions below.



WARNING: *The battery fluid may cause personal injury or damage to property. In case of skin contact, immediately rinse with water. If redness, pain or irritation occurs seek medical attention. In case of eye contact, rinse immediately with clean water and seek medical attention.*

Chargers

Your charger has been designed for a specific voltage. Always check that the mains voltage corresponds to the voltage on the rating plate.



WARNING: *Never attempt to replace the charger unit with a regular mains plug.*

- Use your BLACK+DECKER charger only to charge the battery in the appliance with which it was supplied. Other batteries could burst, causing personal injury and damage.

- Never attempt to charge non-rechargeable batteries.
- If the supply cord is damaged, it must be replaced by the manufacturer or an authorised BLACK+DECKER Service Centre in order to avoid a hazard.
- Do not expose the charger to water.
- Do not open the charger.
- Do not probe the charger.
- The appliance/battery must be placed in a well ventilated area when charging.

Electrical safety

Symbols on the charger



Read all of this manual carefully before using the appliance.



This tool is double insulated; therefore no earth wire is required. Always check that the power supply corresponds to the voltage on the rating plate.



The charger is intended for indoor use only.

Charging Indicator LED

1. While charging, the blue LED on the charger **6** will illuminate.
2. When charging is completed, the blue LED will turn off.

Labels on Appliance

The following symbols appear on this appliance along with the date code.



Read all of this manual carefully before using the appliance



Only use with charger
GB: S010QB1400040
QW: S010QV1400040

Package Contents

The package contains:

- 1 Handheld vacuum
- 1 Crevice tool
- 1 Flip-up brush
- 1 Charger
- 1 Instruction manual
- Check for damage to the tool, parts or accessories which may have occurred during transport.
- Take the time to thoroughly read and understand this manual prior to operation.

Date Code Position (Fig. A)

The production date code **7** consists of a 4-digit year followed by a 2-digit week and is extended by a 2-digit factory code.

Description (Fig. A, B, C)



WARNING: Never modify the power tool or any part of it. Damage or personal injury could result.

- 1 On/Off trigger
- 2 Handle
- 3 Dust bowl

- 4 Nozzle
- 5 Charging port
- 6 Charger
- 7 Jack plug
- 8 Charge indicator LED
- 9 Flip-up brush
- 10 Crevice tool
- 11 Date code

Intended Use

Your NVD215J cordless vacuum cleaner has been designed for dry vacuuming purposes. This appliance is intended for household use only.

The vacuum cleaner is intended for vacuuming materials that are not harmful to health.

This product is NOT to be used for filtering of pathogens, for example COVID-19. Follow all local, state and federal guidance on general cleaning practices.

DO NOT use to vacuum liquids.

NOTE: This appliance is suited for vacuuming everyday dry messes. This appliance is intended for household use only.

DO NOT use under wet conditions or in the presence of flammable liquids or gases.

DO NOT let children come into contact with the tool.

Supervision is required when inexperienced operators use this tool.

- **Young children and the infirm.** This appliance is not intended for use by young children or infirm persons without supervision.
- This machine is not intended for use by persons (including children) with reduced physical, sensory or mental capabilities, or lack of experience and knowledge. Children should never be left alone with this product.

ASSEMBLY AND ADJUSTMENTS



WARNING: To reduce the risk of serious personal injury, turn unit off and keep away from the trigger before making any adjustments or removing/installing attachments or accessories. An accidental start-up can cause injury.



WARNING: Use only the supplied BLACK+DECKER charger.

Accessory Tools (Fig. C)

Your hand vac may be supplied with the following accessories:

- Flip-up brush **9**
- Crevice tool **10**
- The crevice tool can be fitted directly to the nozzle **4** as shown in Fig. C.

Using the Flip-up Brush (Fig. D)

- Flip the brush **9** into position for use as shown in Fig. D.

Charging the Battery (Fig. B)

! WARNING: For use only with the supplied charger.

! WARNING: Do not charge the battery at ambient temperatures below 4 °C or above 40 °C.

From new, the rechargeable cells of the product need a minimum charge time of 5 hours to ensure full power.

1. The trigger **1** must be in the OFF position, the appliance will not charge if it is in any other position.
2. **Fig. B** - Plug the jack plug **7** of the charger **6** into the charging port **5** of the tool.
3. Plug the charger into any standard 240V (NVD215J) electrical outlet.
4. The charge indicator LED **8** on the center of the main housing will illuminate while charging.
5. The charge indicator LED will turn off upon completion of charging.

NOTE: While charging, the charger may get warm, this is perfectly normal and safe. It is safe to leave the appliance connected to the charger indefinitely. The charger automatically reduces power consumption when charging is complete.

! WARNING: Do not charge the battery at ambient temperatures below 4 °C or above 40 °C.

OPERATION

! WARNING: To reduce the risk of serious personal injury, turn unit off and keep away from the trigger before making any adjustments or removing/installing attachments or accessories. An accidental start-up can cause injury.

! WARNING: Use only the supplied BLACK+DECKER charger.

Switching On (Fig. E)

1. To switch the appliance ON, press and hold the On/Off trigger **1** on the underside of the handle **2**.
2. To turn the appliance OFF, release the trigger.

Dry Pick Up

For everyday spills of dry material.

- Do not fill the dust bowl **3** beyond the end of the intake chute.

Optimizing the Suction Force

In order to keep the suction force optimized, the filters must be cleared regularly during use.

MAINTENANCE

! WARNING: To reduce the risk of serious personal injury, turn unit off and keep away from the trigger before making any adjustments or removing/installing attachments or accessories. An accidental start-up can cause injury.

! WARNING: Use only the supplied BLACK+DECKER charger.

Dust Bowl (Fig. F)

! WARNING: Never use this cordless hand vacuum without its filters.

IMPORTANT: Maximum dust collection will only be obtained with clean filters and an empty dust bowl. If dust begins to fall back out of the product after it is switched off, this indicates that the dust bowl is full and requires emptying

To Empty the Dust Bowl (Fig. F)

1. Place the dust bowl over a trash bin and remove the dust bowl **3** from the main housing **12** by twisting the dust bowl counterclockwise and pulling the dust bowl away from the main housing.
2. Remove the filter assembly by pulling it out of the dust bowl.
3. Shake or lightly brush any dust from the filter assembly.
4. Empty the dust from the dust bowl into a trash bin and wash if necessary. Ensure that the dust bowl is completely dry before using.
5. Place filter assembly into position in the dust bowl.
6. Install the dust bowl onto the main housing, ensuring the dust bowl slots **13** align with the main housing tabs **14** as shown in Fig. F and rotate the dust bowl clockwise to lock it firmly into position.

Cleaning the Filters (Fig. G)

1. Place the dust bowl over a trash bin and remove the dust bowl **3** from the main housing **12** by twisting the dust bowl counterclockwise and pulling the dust bowl away from the main housing.
2. Remove the filter assembly by pulling it out of the dust bowl.
3. Empty any dust from the dust bowl into a trash bin and wash if necessary. Ensure the dust bowl is completely dry before using.
4. Twist the pre-filter **15** counterclockwise and pull the pre-filter off of the filter **16**. Shake or lightly brush any dust from the filter and pre-filter.
5. Wash the pre-filter and filter regularly using warm, soapy water. The cleaner the filter is, the better the product will perform.
6. Ensure both filters are completely dry for 12 hours before refitting. It is very important that the filters are completely dry and correctly in position before use.
7. Install the pre-filter onto the filter, ensuring the filter slots **17** align with the pre-filter tabs **18** and rotate the pre-filter clockwise to lock it firmly into position.
8. Install the filter assembly into the dust bowl.

- Install the dust bowl onto the main housing, ensuring the dust bowl slots **13** aligns with the main housing tabs **14** as shown in Fig. G and rotate the dust bowl clockwise to lock it firmly into position.

TROUBLESHOOTING

If the product does not work, check the following:

- The charger was correctly plugged in for recharge. (It feels slightly warm to the touch.)
- The charger cord is not damaged and is correctly attached.
- The charger is plugged into a working electrical outlet.

For assistance with your product, visit our website www.blackanddecker.com for the location of a service center nearest you.

Repairs

The charger and internal battery are not serviceable. There are no serviceable parts inside the charger or product.

Protecting the Environment



Separate collection. Products and batteries marked with this symbol must not be disposed of with normal household waste.

Products and batteries contain materials that can be recovered or recycled reducing the demand for raw materials. Please recycle electrical products and batteries according to local provisions. Further information is available at www.2helpU.com.

Rechargeable Battery

This long life battery must be recharged when it fails to produce sufficient power on jobs which were easily done before.

At the end of its technical life, discard it with due care for our environment:

- Run the battery down completely.
- Li-Ion cells are recyclable. Take them to your dealer or a local recycling station. The collected products will be recycled or disposed of properly.

Technical Data

		NVD215J
Voltage	V_{dc}	7.2
Battery	Ah	1.5
Weight	kg	0.62
Charger		S10QV140040
Approx charge time	h	3.75
Input voltage	V_{ac}	100-240
Output voltage	V_{dc}	14
Current	mA	400

Belgique et Luxembourg België en Luxemburg	DeWALT - Belgium BVBA Egide Walschaertsstraat 16 2800 Mechelen	Tel: NL 32 15 47 37 63 Tel: FR 32 15 47 37 64 Fax: 32 15 47 37 99	www.dewalt.be enduserv.BE@SBDinc.com
Danmark	DeWALT (Stanley Black&Decker AS) Roskildevej 22 2620 Albertslund	Tel: 70 20 15 10 Fax: 70 22 49 10	www.dewalt.dk kundeservice.dk@sbdinc.com
Deutschland	DeWALT Richard-Klinger-Str. 11 65510 Idstein	Tel: 06126-21-0 Fax: 06126-21-2770	www.dewalt.de infodwge@sbdinc.com
Ελλάς	DeWALT (ΕΜΔΑ) Α.Ε. ΕΔΡΑ-ΓΡΑΦΕΙΑ : Στραβίωνος 7 & Α. Βουλιαγμένης, Γλυφάδα 166 74, Αθήνα SERVICE : Ημερος Τόπος 2 (Χάιν Αδάμ) – 193 00 Ασπίστηγος	Τηλ: 00302108981616 Φαξ: 00302108983570	www.dewalt.gr Greece.Service@sbdinc.com
España	DeWALT Ibérica, S.C.A. Parc de Negocios "Mas Blau" Edificio Muntadas, c/Bergadà, 1, Of. A6 08820 El Prat de Llobregat (Barcelona)	Tel: 934 797 400 Fax: 934 797 419	www.dewalt.es respuesta.postventa@sbdinc.com
France	DeWALT (Stanley Black & Decker France SAS) 62 Chemin de la Bruyère 69570 Dardilly, France	Tel: 04 72 20 39 20 Fax: 04 72 20 39 00	www.dewalt.fr scufr@sbdinc.com
Schweiz Suisse Svizzera	DeWALT In der Luberzen 42 8902 Urdorf	Tel: 044 - 755 60 70 Fax: 044 - 730 70 67	www.dewalt.ch service@rofoag.ch
Ireland	DeWALT Building 4500, Kinsale Road Cork Airport Business Park Cork, Ireland	Tel: 00353-2781800 Fax: 01278 1811	www.dewalt.ie Sales.ireland@sbdinc.com
Italia	DeWALT via Energypark 6 20871 Vimercate (MB), IT	Tel: 800-014353 39 039-9590200 Fax: 39 039-9590311	www.dewalt.it
Nederlands	DeWALT Netherlands BVPostbus 83, 6120 AB BORN	Tel: 31 164 283 063 Fax: 31 164 283 200	www.dewalt.nl
Norge	DeWALT Postboks 4613 0405 Oslo, Norge	Tel: 45 25 13 00 Fax: 45 25 08 00	www.dewalt.no kundeservice.no@sbdinc.com
Österreich	DeWALT Werkzeug Vertriebsges m.b.H Oberlaaerstrasse 248, A-1230 Wien	Tel: 01 - 66116 - 0 Fax: 01 - 66116 - 614	www.dewalt.at service.austria@sbdinc.com
Portugal	DeWALT Ed. D Dinis, Quina da Fonte Rua dos Malhoes 2 2A 2º Esq. Oeiras e S. Juliao da Barra, paço de Arcos e Caxias 2770 071 Paço de Arcos	Tel: +351 214667500 Fax: +351214667580	www.dewalt.pt resposta.posvenda@sbdinc.com
Suomi	DeWALT PL47 00521 Helsinki, Suomi	Puh: 010 400 4333 Faksi: 0800 411 340	www.dewalt.fi asiakaspalvelu.fi@sbdinc.com
Sverige	DeWALT BOX 94 43122 Mölndal Sverige	Tel: 031 68 61 60 Fax: 031 68 60 08	www.dewalt.se kundservice.se@sbdinc.com
Türkiye	Sanayi ve Ticaret Bakanlığı tebliğince kullanımlı 7 yıldır. Stanley Black & Decker Turkey Alet Üretim San. Tic. Ltd.Şti. AND Kozyatağı – İçerenköy Mah. Umur Sok. AND Ofis Sit. No: 10-12 / 82-83-84 Ataşehir/İstanbul, Türkiye	Tel: +90 216 665 2900 Faks: +90 216 665 2901	www.dewalt.com.tr support@dewalt.com.tr
United Kingdom	DeWALT, 270 Bath Road, Slough, Berks SL1 4DX	Tel: 01753-567055 Fax: 01753-572112	www.dewalt.co.uk emeaservice@sbdinc.com
Australia / New Zealand	DeWALT 810 Whitehorse Road Box Hill VIC 3128 Australia	Tel: Aust 1800 654 155 Tel: NZ 0800 339 258	www.dewalt.com.au www.dewalt.co.nz
Middle East Africa	DeWALT P.O. Box - 17164, Jebel Ali Free Zone (South), Dubai, UAE	Tel: 971 4 812 7400 Fax: 971 4 2822765	www.dewalt.ae support@dewalt.ae