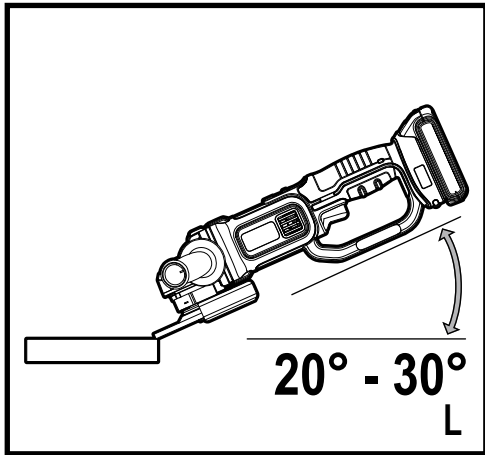
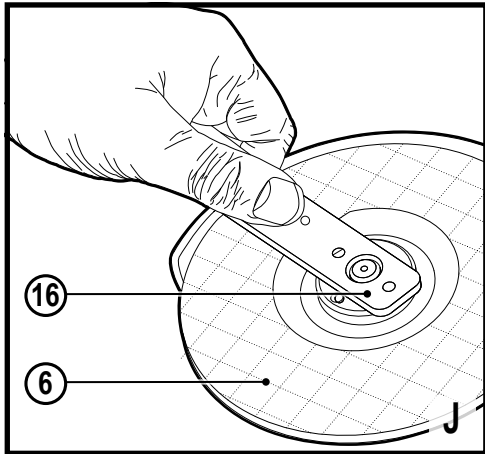
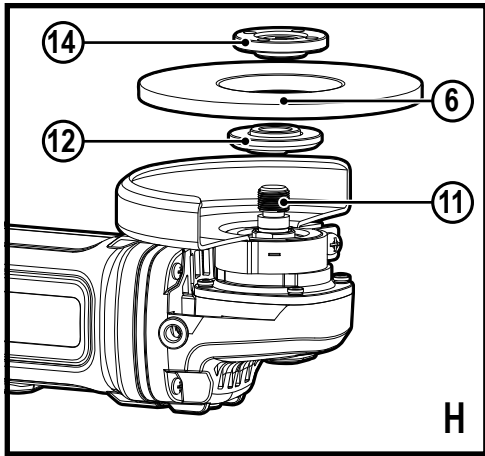
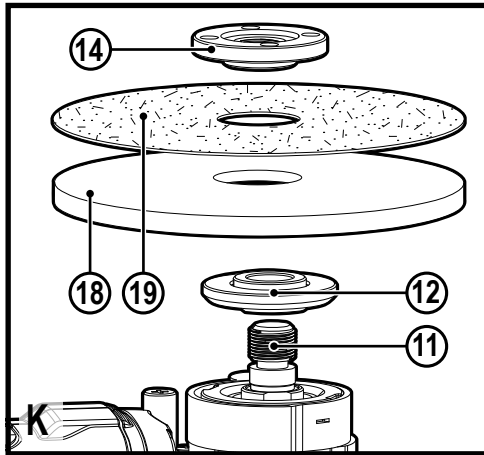
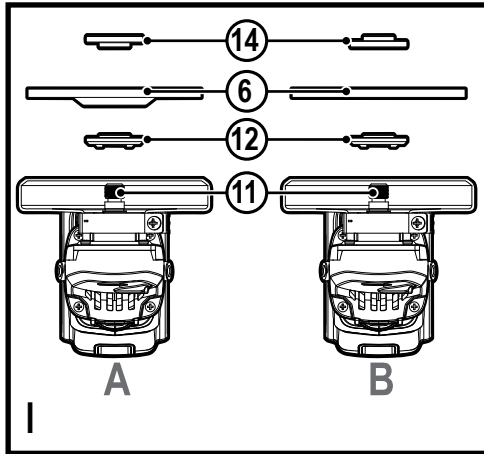
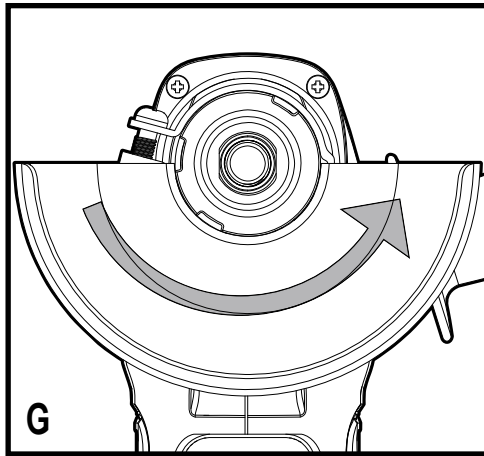
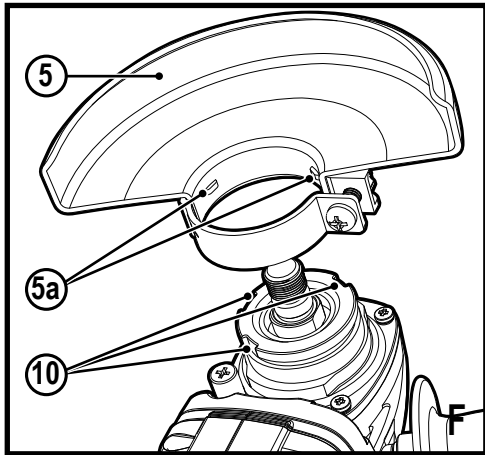
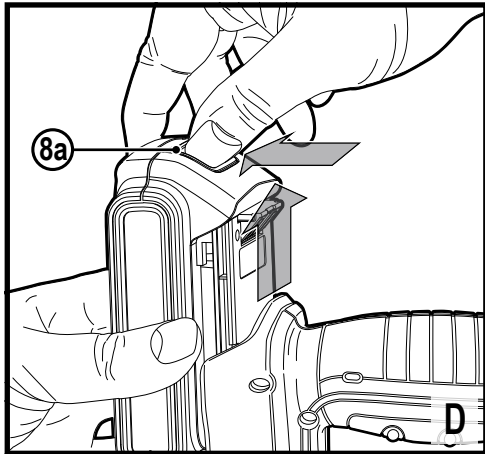
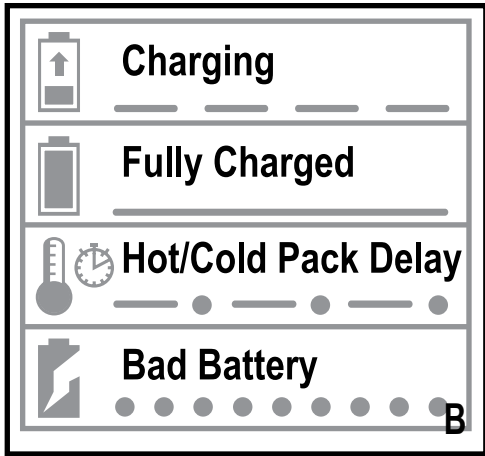
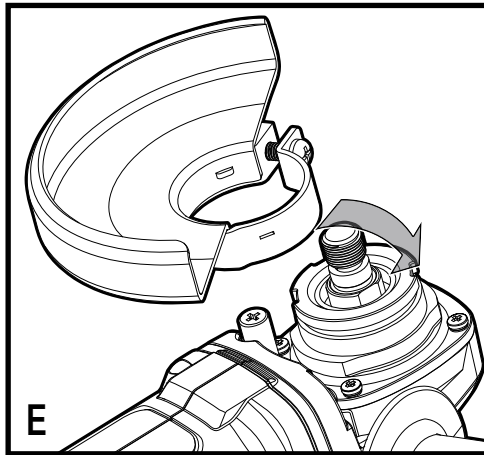
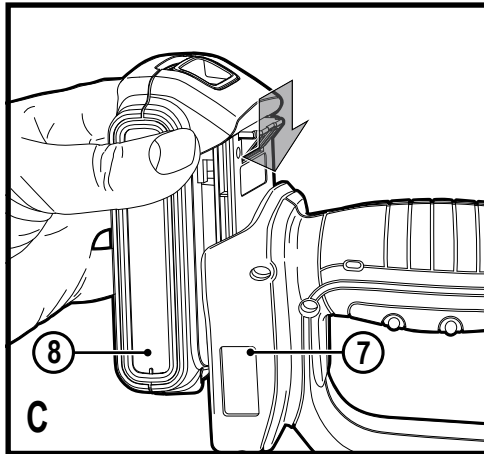
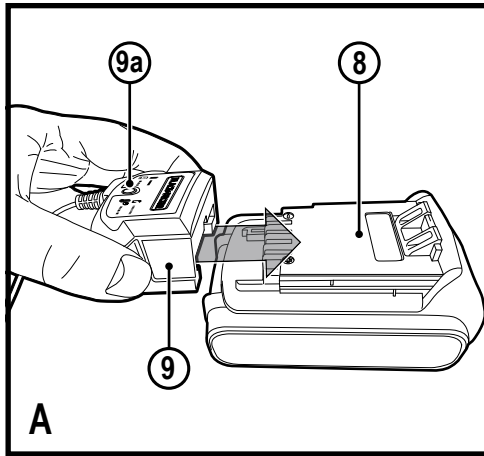
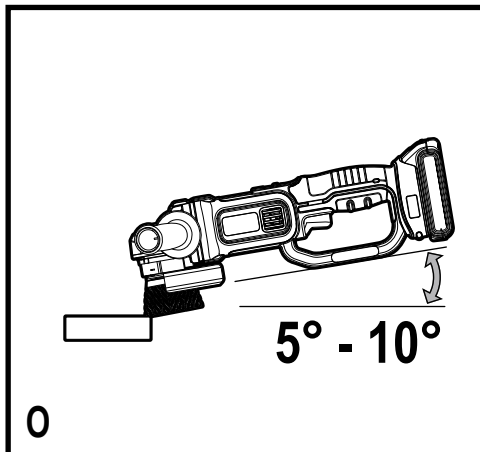
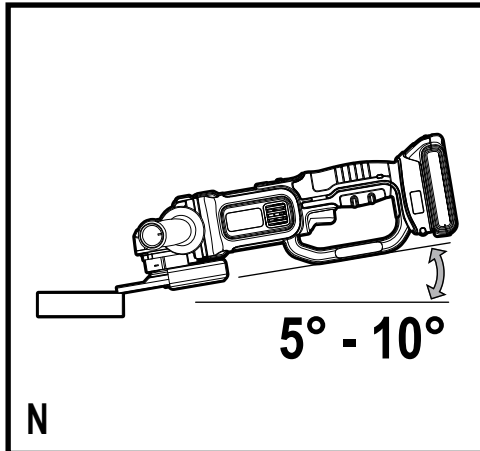
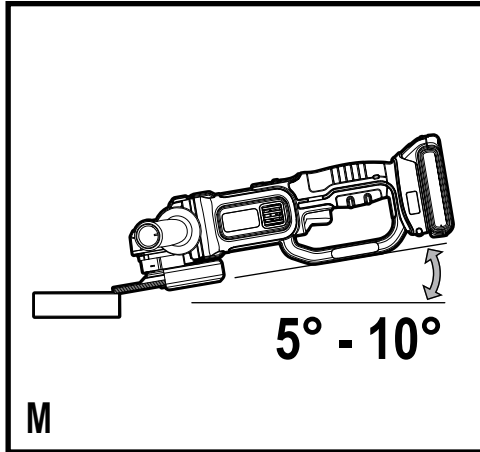


www.blackanddecker.eu

BCG720 M1
BCG720 N





Intended use

Your BLACK+DECKER BCG720 M1, BCG720 N angle grinder has been designed for grinding and cutting metal and masonry using the appropriate type of cutting or grinding disc when fitted with the appropriate guard. This tool is intended for consumer use only.

Safety instructions

General power tool safety warnings



Warning! Read all safety warnings and all instructions. Failure to follow the warnings and instructions listed below may result in electric shock, fire and/or serious injury.

Save all warnings and instructions for future reference. The term "power tool" in all of the warnings listed below refers to your mains operated (corded) power tool or battery operated (cordless) power tool.

1. Work area safety

- Keep work area clean and well lit.** Cluttered or dark areas invite accidents.
- Do not operate power tools in explosive atmospheres, such as in the presence of flammable liquids, gases or dust.** Power tools create sparks which may ignite the dust or fumes.
- Keep children and bystanders away while operating a power tool.** Distractions can cause you to lose control.

2. Electrical safety

- Power tool plugs must match the outlet. Never modify the plug in any way. Do not use any adapter plugs with earthed (grounded) power tools.** Unmodified plugs and matching outlets will reduce risk of electric shock.
- Avoid body contact with earthed or grounded surfaces such as pipes, radiators, ranges and refrigerators.** There is an increased risk of electric shock if your body is earthed or grounded.
- Do not expose power tools to rain or wet conditions.** Water entering a power tool will increase the risk of electric shock.
- Do not abuse the cord. Never use the cord for carrying, pulling or unplugging the power tool. Keep cord away from heat, oil, sharp edges or moving parts.** Damaged or entangled cords increase the risk of electric shock.
- When operating a power tool outdoors, use an extension cord suitable for outdoor use.** Use of a cord suitable for outdoor use reduces the risk of electric shock.
- If operating a power tool in a damp location is unavoidable, use a residual current device (RCD)**

protected supply. Use of an RCD reduces the risk of electric shock.

3. Personal safety

- Stay alert, watch what you are doing and use common sense when operating a power tool. Do not use a power tool while you are tired or under the influence of drugs, alcohol or medication.** A moment of inattention while operating power tools may result in serious personal injury.
 - Use personal protective equipment. Always wear eye protection.** Protective equipment such as dust mask, non-skid safety shoes, hard hat, or hearing protection used for appropriate conditions will reduce personal injuries.
 - Prevent unintentional starting. Ensure the switch is in the off-position before connecting to power source and/or battery pack, picking up or carrying the tool.** Carrying power tools with your finger on the switch or energising power tools that have the switch on invites accidents.
 - Remove any adjusting key or wrench before turning the power tool on.** A wrench or a key left attached to a rotating part of the power tool may result in personal injury.
 - Do not overreach. Keep proper footing and balance at all times.** This enables better control of the power tool in unexpected situations.
 - Dress properly. Do not wear loose clothing or jewellery. Keep your hair, clothing and gloves away from moving parts.** Loose clothes, jewellery or long hair can be caught in moving parts.
 - If devices are provided for the connection of dust extraction and collection facilities, ensure these are connected and properly used.** Use of dust collection can reduce dust-related hazards.
 - Do not let familiarity gained from frequent use of tools allow you to become complacent and ignore tool safety principles.** A careless action can cause severe injury within a fraction of a second.
- #### 4. Power tool use and care
- Do not force the power tool. Use the correct power tool for your application.** The correct power tool will do the job better and safer at the rate for which it was designed.
 - Do not use the power tool if the switch does not turn it on and off.** Any power tool that cannot be controlled with the switch is dangerous and must be repaired.
 - Disconnect the plug from the power source and/or the battery pack from the power tool before making any adjustments, changing accessories, or storing power tools.** Such preventive safety measures reduce the risk of starting the power tool accidentally.

- Store idle power tools out of the reach of children and do not allow persons unfamiliar with the power tool or these instructions to operate the power tool.** Power tools are dangerous in the hands of untrained users.
 - Maintain power tools. Check for misalignment or binding of moving parts, breakage of parts and any other condition that may affect the power tools operation. If damaged, have the power tool repaired before use.** Many accidents are caused by poorly maintained power tools.
 - Keep cutting tools sharp and clean.** Properly maintained cutting tools with sharp cutting edges are less likely to bind and are easier to control.
 - Use the power tool, accessories and tool bits etc. in accordance with these instructions, taking into account the working conditions and the work to be performed.** Use of the power tool for operations different from those intended could result in a hazardous situation.
 - Keep handles and grasping surfaces dry, clean and free from oil and grease.** Slippery handles and grasping surfaces do not allow for safe handling and control of the tool in unexpected situations.
- #### 5. Battery tool use and care
- Recharge only with the charger specified by the manufacturer.** A charger that is suitable for one type of battery pack may create a risk of fire when used with another battery pack.
 - Use power tools only with specifically designated battery packs.** Use of any other battery packs may create a risk of injury and fire.
 - When battery pack is not in use, keep it away from other metal objects, like paper clips, coins, keys, nails, screws, or other small metal objects, that can make a connection from one terminal to another.** Shorting the battery terminals together may cause burns or a fire.
 - Under abusive conditions, liquid may be ejected from the battery; avoid contact. If contact accidentally occurs, flush with water. If liquid contacts eyes, additionally seek medical help.** Liquid ejected from the battery may cause irritation or burns.
 - Do not use a battery pack or tool that is damaged or modified. Damaged or modified batteries may exhibit unpredictable behaviour resulting in fire, explosion or risk of injury.**
 - Do not expose a battery pack or tool to fire or excessive temperature. Exposure to fire or temperature above 130 °C may cause explosion.**
 - Follow all charging instructions and do not charge the battery pack or tool outside the temperature range specified in the instructions. Charging improperly or**

at temperatures outside the specified range may damage the battery and increase the risk of fire.

6. Service

- a. **Have your power tool serviced by a qualified repair person using only identical replacement parts.** This will ensure that the safety of the power tool is maintained.
- b. **Never service damaged battery packs.** Service of battery packs should only be performed by the manufacturer or authorised service providers.

Additional power tool safety warnings



Warning! Additional safety warnings Common for Grinding, Sanding, Wire Brushing, Polishing or Abrasive Cutting-Off Operations:

- ◆ **This power tool is intended to function as a grinder, sander, wire brush, polisher or cut-off tool. Read all safety warnings, instructions, illustrations and specifications provided with this power tool.** Failure to follow all instructions listed below may result in electric shock, fire and/or serious injury.
 - ◆ **Operations for which the power tool was not designed may create a hazard and cause personal injury.**
 - ◆ **Do not use accessories which are not specifically designed and recommended by the tool manufacturer.** Just because the accessory can be attached to your power tool, it does not assure safe operation.
 - ◆ **The rated speed of the accessory must be at least equal to the maximum speed marked on the power tool.** Accessories running faster than their rated speed can break and fly apart.
 - ◆ **The outside diameter and the thickness of your accessory must be within the capacity rating of your power tool.** Incorrectly sized accessories cannot be adequately guarded or controlled.
 - ◆ **Threaded mounting of accessories must match the grinder spindle thread. For accessories mounted by flanges, the arbour hole of the accessory must fit the locating diameter of the flange.** Accessories that do not match the mounting hardware of the power tool will run out of balance, vibrate excessively and may cause loss of control.
 - ◆ **Do not use a damaged accessory. Before each use inspect the accessory such as abrasive wheels for chips and cracks, backing pad for cracks, tear or excess wear, wire brush for loose or cracked wires. If power tool or accessory is dropped, inspect for damage or install an undamaged accessory. After inspecting and installing an accessory and run the power tool at maximum no-load speed for one minute.**
- Damaged accessories will normally break apart during this test time.
- ◆ **Wear personal protective equipment. Depending on application, use face shield, safety goggles or safety glasses. As appropriate, wear dust mask, hearing protectors, gloves and workshop apron capable of stopping small abrasive or workpiece fragments.** The eye protection must be capable of stopping flying debris generated by various operations. The dust mask or respirator must be capable of filtering particles generated by your operation. Prolonged exposure to high intensity noise may cause hearing loss.
 - ◆ **Keep bystanders a safe distance away from work area. Anyone entering the work area must wear personal protective equipment.** Fragments of workpiece or of a broken accessory may fly away and cause injury beyond immediate area of operation.
 - ◆ **Hold power tool by insulated gripping surfaces only, when performing an operation where the cutting accessory may contact hidden wiring or its own cord.** Cutting accessory contacting a "live" wire may make exposed metal parts of the power tool "live" and shock the operator.
 - ◆ **Use clamps or another practical way to secure and support the workpiece to a stable platform.** Holding the work by hand or against your body leaves it unstable and may lead to loss of control.
 - ◆ **Position the cord clear of the spinning accessory.** If you lose control, the cord may be cut or snagged and your hand or arm may be pulled into the spinning accessory.
 - ◆ **Never lay the power tool down until the accessory has come to a complete stop.** The spinning accessory may grab the surface and pull the power tool out of your control.
 - ◆ **Do not run the power tool while carrying it at your side.** Accidental contact with the spinning accessory could snag your clothing, pulling the accessory into your body.
 - ◆ **Regularly clean the power tool's air vents.** The motor's fan will draw the dust inside the housing and excessive accumulation of powdered metal may cause electrical hazards.
 - ◆ **Do not operate the power tool near flammable materials.** Sparks could ignite these materials.
 - ◆ **Do not use accessories that require liquid coolants.** Using water or other liquid coolants may result in electrocution or shock.
- Note:** The above warning does not apply for power tools specifically designed for use with a liquid system.
- Kickback and related warnings**
Kickback is a sudden reaction to a pinched or snagged rotating wheel, backing pad, brush or any other accessory. Pinching or snagging causes rapid stalling of the rotating

fragments, accidental contact with wheel and sparks that could ignite clothing.

- ◆ **Wheels must be used only for recommended applications. For example: do not grind with the side of cut-off wheel.** Abrasive cut-off wheels are intended for peripheral grinding, side forces applied to these wheels may cause them to shatter.
- ◆ **Always use undamaged wheel flanges that are of correct size and shape for your selected wheel.** Proper wheel flanges support the wheel thus reducing the possibility of wheel breakage. Flanges for cut-off wheels may be different from grinding wheel flanges.
- ◆ **Do not use worn down wheels from larger power tools.** Wheel intended for larger power tool is not suitable for the higher speed of a smaller tool and may burst.

Additional safety warnings specific for abrasive cutting-off operations

accessory which in turn causes the uncontrolled power tool to be forced in the direction opposite of the accessory's rotation at the point of the binding.

For example, if an abrasive wheel is snagged or pinched by the workpiece, the edge of the wheel that is entering into the pinch point can dig into the surface of the material causing the wheel to climb out or kick out. The wheel may either jump toward or away from the operator, depending on direction of the wheel's movement at the point of pinching. Abrasive wheels may also break under these conditions.

Kickback is the result of power tool misuse and/or incorrect operating procedures or conditions and can be avoided by taking proper precautions as given below.

- ◆ **Maintain a firm grip on the power tool and position your body and arm to allow you to resist kickback forces. Always use auxiliary handle, if provided, for maximum control over kickback or torque reaction during start-up.** The operator can control torque reactions or kickback forces, if proper precautions are taken.
- ◆ **Never place your hand near the rotating accessory.** Accessory may kickback over your hand.
- ◆ **Do not position your body in the area where power tool will move if kickback occurs.** Kickback will propel the tool in direction opposite to the wheel's movement at the point of snagging.
- ◆ **Use special care when working corners, sharp edges etc. Avoid bouncing and snagging the accessory.** Corners, sharp edges or bouncing have a tendency to snag the rotating accessory and cause loss of control or kickback.
- ◆ **Do not attach a saw chain woodcarving blade or toothed saw blade.** Such blades create frequent kickback and loss of control.

Safety warnings specific for grinding and abrasive cutting-off operations

- ◆ **Use only wheel types that are recommended for your power tool and the specific guard designed for the selected wheel.** Wheels for which the power tool was not designed cannot be adequately guarded and are unsafe.
- ◆ **The grinding surface of centre depressed wheels must be mounted below the plane of the guard lip.** An improperly mounted wheel that projects through the plane of the guard lip cannot be adequately protected.
- ◆ **The guard must be securely attached to the power tool and positioned for maximum safety, so the least amount of wheel is exposed towards the operator.** The guard helps to protect the operator from broken wheel

- ◆ **Do not "jam" the cut-off wheel or apply excessive pressure. Do not attempt to make an excessive depth of cut.** Over stressing the wheel increases the loading and susceptibility to twisting or binding of the wheel in the cut and the possibility of kickback or wheel breakage.
- ◆ **Do not position your body in line with and behind the rotating wheel.** When the wheel, at the point of operation, is moving away from your body, the possible kickback may propel the spinning wheel and the power tool directly at you.
- ◆ **When wheel is binding or when interrupting a cut for any reason, switch off the power tool and hold the power tool motionless until the wheel comes to a complete stop. Never attempt to remove the cut-off wheel from the cut while the wheel is in motion otherwise kickback may occur.** Investigate and take corrective action to eliminate the cause of wheel binding.
- ◆ **Do not restart the cutting operation in the workpiece. Let the wheel reach full speed and carefully re-enter the cut.** The wheel may bind, walk up or kickback if the power tool is restarted in the workpiece.
- ◆ **Support panels or any oversized workpiece to minimize the risk of wheel pinching and kickback.** Large workpieces tend to sag under their own weight. Supports must be placed under the workpiece near the line of cut and near the edge of the workpiece on both sides of the wheel.
- ◆ **Use extra caution when making a "pocket cut" into existing walls or other blind areas.** The protruding wheel may cut gas or water pipes, electrical wiring or objects that can cause kickback.

Safety warnings specific for sanding operations

- ◆ Do not use excessively oversized sanding disc paper. Follow manufacturers recommendations, when selecting sanding paper. Larger sanding paper extending beyond the sanding pad presents a laceration hazard and may cause snagging, tearing of the disc or kickback.

Safety warnings specific for polishing operations

- ◆ Do not allow any loose portion of the polishing bonnet or its attachment strings to spin freely. Tuck away or trim any loose attachment strings. Loose and spinning attachment strings can entangle your fingers or snag on the workpiece.

Safety warnings specific for wire brushing operations

- ◆ Be aware that wire bristles are thrown by the brush even during ordinary operation. Do not overstress the wires by applying excessive load to the brush. The wire bristles can easily penetrate light clothing and/or skin.
- ◆ If the use of a guard is recommended for wire brushing, do not allow any interference of the wire wheel or brush with the guard. Wire wheel or brush may expand in diameter due to work load and centrifugal forces.



Warning! Contact with or inhalation of dusts arising from sanding/grinding applications may endanger the health of the operator and possible bystanders. Wear a dust mask specifically designed for protection against dust and fumes and ensure that persons within or entering the work area are also protected.

Safety of others

- ◆ This appliance is not intended for use by persons (including children) with reduced physical, sensory or mental capabilities, or lack of experience and knowledge, unless they have been given supervision or instruction concerning use of the appliance by a person responsible for their safety.
- ◆ Children should be supervised to ensure that they do not play with the appliance.

Residual risks

Additional residual risks may arise when using the tool which may not be included in the enclosed safety warnings. These risks can arise from misuse, prolonged use etc.

Even with the application of the relevant safety regulations and the implementation of safety devices, certain residual risks can not be avoided. These include:

- ◆ Injuries caused by touching any rotating/moving parts.
- ◆ Injuries caused when changing any parts, blades or accessories.
- ◆ Injuries caused by prolonged use of a tool. When using any tool for prolonged periods ensure you take regular breaks.
- ◆ Impairment of hearing.
- ◆ Health hazards caused by breathing dust developed when using your tool (example:- working with wood, especially oak, beech and MDF.)

Vibration

The declared vibration emission values stated in the technical data and the declaration of conformity have been measured in accordance with a standard test method provided by EN 60745 and may be used for comparing one tool with another. The declared vibration emission value may also be used in a preliminary assessment of exposure.

Warning! The vibration emission value during actual use of the power tool can differ from the declared value depending on the ways in which the tool is used. The vibration level may increase above the level stated.

When assessing vibration exposure to determine safety measures required by 2002/44/EC to protect persons regularly using power tools in employment, an estimation of vibration exposure should consider, the actual conditions of use and the way the tool is used, including taking account of all parts of the operating cycle such as the times when the tool is switched off and when it is running idle in addition to the trigger time.

Labels on tool

The following pictograms, along with the date code, are shown on the tool:



Warning! To reduce the risk of injury, the user must read the instruction manual.



Wear safety glasses or goggles when operating this tool.



Wear ear protection when operating this tool

Additional safety instructions for batteries and chargers**Batteries (BCG720M1 unit only)**

- ◆ Never attempt to open for any reason.
- ◆ Do not expose the battery to water.

- ◆ Do not store in locations where the temperature may exceed 40 °C.
- ◆ Charge only at ambient temperatures between 10 °C and 40 °C.
- ◆ Charge only using the charger provided with the tool.
- ◆ When disposing of batteries, follow the instructions given in the section "Protecting the environment".



Do not attempt to charge damaged batteries.

Chargers (BCG720M1 unit only)

- ◆ Use your BLACK+DECKER charger only to charge the battery in the tool with which it was supplied. Other batteries could burst, causing personal injury and damage.
- ◆ Never attempt to charge non-rechargeable batteries.
- ◆ Have defective cords replaced immediately.
- ◆ Do not expose the charger to water.
- ◆ Do not open the charger.
- ◆ Do not probe the charger.



The charger is intended for indoor use only.



Read the instruction manual before use

Electrical safety

Your charger is double insulated; therefore no earth wire is required. Always check that the mains voltage corresponds to the voltage on the rating plate. Never attempt to replace the charger unit with a regular mains plug.

- ◆ If the supply cord is damaged, it must be replaced by the manufacturer or an authorised BLACK+DECKER Service Centre in order to avoid a hazard.

Features

This tool includes some or all of the following features.

1. Lock off switch
2. Trigger switch
3. Side handle
4. Spindle lock
5. Grinding guard
6. Grinding disc
7. Battery port
8. Battery (BCG720M1 unit only)

Charging a battery (fig. A)

BLACK+DECKER chargers are designed to charge BLACK+DECKER battery packs.

- ◆ Plug the charger (9) into an appropriate outlet before inserting a battery pack (8).

- ◆ Insert the battery pack (8) into the charger, making sure the battery pack is fully seated in the battery slots (Figure A).



The LED (9a) will flash indicating that the battery is being charged.



The completion of charge is indicated by the LED remaining on continuously. The pack is fully charged and may be used at this time or left in the charger.

- ◆ Recharge discharged batteries as soon as possible after use or battery life may be greatly diminished. For longest battery life, do not discharge batteries fully. It is recommended that the batteries be recharged after each use.

Charger diagnostics (fig. B)

This charger is designed to detect certain problems that can arise with the battery packs or the power source. Problems are indicated by one LED flashing in different patterns.

Bad battery

The charger can detect a weak or damaged battery. The LED flashes in the pattern indicated on the label. If you see this bad battery blink pattern, do not continue to charge the battery. Return it to a service center or a collection site for recycling.

Hot/cold pack delay

When the charger detects a battery that is excessively hot or excessively cold, it automatically starts a Hot/Cold Pack Delay, suspending charging until the battery has normalized. After this happens, the charger automatically switches to the Pack Charging mode. This feature ensures maximum battery life. The light flashes in the pattern indicated on the label.

Leaving the battery in the charger

The charger and battery pack can be left connected with the LED glowing indefinitely. The charger will keep the battery pack fresh and fully charged. This charger features an automatic tune-up mode which equals or balances the individual cells in the battery pack to allow it to function at peak capacity. Battery packs should be tuned up weekly or whenever the battery no longer delivers the same amount of work. To use the automatic tune-up mode, place the battery pack in the charger and leave it for at least 8 hours.

Important charging notes

- ◆ Longest life and best performance can be obtained if the battery pack is charged when the air temperature is between 18 °C – 24 °C. DO NOT charge the battery pack

in an air temperature below +4.5 °C), or above +40 °C. This is important and will prevent serious damage to the battery pack.

- ◆ The charger and battery pack may become warm to the touch while charging. This is a normal condition, and does not indicate a problem. To facilitate the cooling of the battery pack after use, avoid placing the charger or battery pack in a warm environment such as in a metal shed or an uninsulated trailer.
- ◆ If the battery pack does not charge properly:
 - ◆ Check operation of receptacle by plugging in a lamp or other appliance;
 - ◆ Check to see if receptacle is connected to a light switch which turns power off when you turn out the lights;
 - ◆ Move the charger and battery pack to a location where the surrounding air temperature is approximately 18 °C – 24 °C;
 - ◆ If charging problems persist, take the tool, battery pack and charger to your local service center.
- ◆ The battery pack should be recharged when it fails to produce sufficient power on jobs which were easily done previously. DO NOT CONTINUE to use under these conditions. Follow the charging procedure. You may also charge a partially used pack whenever you desire with no adverse effect on the battery pack.
- ◆ Foreign materials of a conductive nature such as, but not limited to, grinding dust, metal chips, steel wool, aluminum foil, or any buildup of metallic particles should be kept away from charger cavities. Unplug the charger before attempting to clean.
- ◆ Do not freeze or immerse the charger in water or any other liquid.

Fitting and removing the battery (fig. C, D)

- ◆ To fit the battery (8), line it up with the receptacle on the tool (7). Slide the battery into the receptacle and push until the battery snaps into place.
- ◆ To remove the battery, push the battery release button (8a) while at the same time pulling the battery out of the receptacle.

Assembly

Warning! Before assembly, make sure that the tool is switched off and the battery is removed.

Fitting and removing the guard (fig. E, F, G)

The tool is supplied with a guard intended for grinding purposes only (type 27). If the unit is intended to perform cutting off operations, a guard specific for this operation (type 41) must be fitted. Suitable guard part number 1004702-44 (for 125mm cutting wheel) are available and can be obtained from BLACK+DECKER service centres.

- ◆ Place the tool on a table, with the spindle (11) facing up.
- ◆ Release the clamping lock and hold the guard over the tool as shown in figure E.
- ◆ Align the lugs (5a) with the notches (10) as shown in figure F.
- ◆ Press the guard down and rotate it counterclockwise to the required position as shown in figure G.
- ◆ Tighten the guard latch screw to secure the guard to the tool.
- ◆ If required, tighten the screw to increase the clamping force.

Removing

- ◆ Release the guard latch screw.
- ◆ Rotate the guard clockwise to align the lugs (5a) with the notches (10).
- ◆ Remove the guard from the tool.

Warning! Never use the tool without the guard.

Fitting the side handle

- ◆ Screw the side handle (3) into one of the mounting holes in the tool.

Warning! Always use the side handle.

Fitting and removing grinding discs, cutting discs or sanding flap pads (fig. H, I, J, K, L)

Always use the correct type of disc for your application.

Always use discs with the correct diameter and bore size (see technical data).

Fitting

- ◆ Fit the guard as described above.
- ◆ Place the inner flange (12) onto the spindle (11) as shown in figure. H. Make sure that the flange is correctly located on the flat sides of the spindle.
- ◆ Place the disc (6) onto the spindle (11) as shown in figure H. If the disc has a raised centre, make sure that the raised centre faces the inner flange.
- ◆ Make sure that the disc locates correctly on the inner flange.
- ◆ Place the outer flange (14) onto the spindle. When fitting a grinding disc, the raised centre on the outer flange must face towards the disc (A in fig. I). When fitting a cutting disc, the raised centre on the outer flange must face away from the disc (B in fig. I).
- ◆ Keep the spindle lock (4) depressed and tighten the outer flange using the two-pin spanner (16) (fig. J).

Removing

- ◆ Keep the spindle lock (4) depressed and loosen the outer flange (14) using the two-pin spanner (16) (fig. J).
- ◆ Remove the outer flange (14) and the disc (6).

Surface grinding with grinding discs

- ◆ Allow the tool to reach full speed before touching the tool to the work surface.
- ◆ Apply minimum pressure to the work surface, allowing the tool to operate at high speed. Grinding rate is greatest when the tool operates at high speed.
- ◆ Maintain a 20° to 30° angle between the tool and work surface as shown in figure L.
- ◆ Continuously move the tool in a forward and back motion to avoid creating gouges in the work surface.
- ◆ Remove the tool from work surface before turning tool off. Allow the tool to stop rotating before laying it down.

Edge grinding with grinding discs

Wheels used for cutting and edge grinding may break or kick back if they bend or twist while the tool is being used to do cutoff work or deep grinding.

Edge grinding/ cutting with a Type 27 wheel must be limited to shallow cutting and notching, less than 13 mm in depth when the wheel is new. Reduce the depth of cutting/notching equal to the reduction of the wheel radius as it wears down. Refer to the 'Grinding and cutting accessory chart' at the end of this manual for more information.

Edge grinding/cutting with a Type 41 wheel requires usage of a Type 41 guard.

- ◆ Allow the tool to reach full speed before touching the tool to the work surface.
- ◆ Apply minimum pressure to the work surface, allowing the tool to operate at high speed. Grinding rate is greatest when the tool operates at high speed.
- ◆ Position yourself so that the openunderside of the wheel is facing away from you.
- ◆ Once a cut is begun and a notch is established in the workpiece, do not change the angle of the cut. Changing the angle will cause the wheel to bend and may cause wheel breakage. Edge grinding wheels are not designed to withstand side pressures caused by bending.
- ◆ Remove the tool from the work surface before turning the tool off. Allow the tool to stop rotating before laying it down.

Warning! Do not use edge grinding/cutting wheels for surface grinding applications if the wheel label has forbidden such use because these wheels are not designed for side pressures encountered with surface grinding. Wheel breakage and serious personal injury may result.

Fitting and removing sanding discs (fig. K)

For sanding, a backing pad is required. The backing pad is available from your BLACK+DECKER dealer as an accessory.

Fitting

- ◆ Place the inner flange (12) onto the spindle (11) as shown (fig. K). Make sure that the flange is correctly located on the flat sides of the spindle.
- ◆ Place the backing pad (18) onto the spindle.
- ◆ Place the sanding disc (19) onto the backing pad.
- ◆ Place the outer flange (14) onto the spindle with the raised centre facing away from the disc.
- ◆ Keep the spindle lock (4) depressed and tighten the outer flange using the two-pin spanner (16) (fig. J). Make sure that the outer flange is fitted correctly and that the disc is clamped tightly.

Removing

- ◆ Keep the spindle lock (4) depressed and loosen the outer flange (14) using the two-pin spanner (16) (fig. J).
- ◆ Remove the outer flange (14), the sanding disc (19) and the backing pad (18).

Surface finishing with sanding discs

- ◆ Allow the tool to reach full speed before touching the tool to the work surface.
- ◆ Apply minimum pressure to work surface, allowing the tool to operate at high speed. Sanding rate is greatest when the tool operates at high speed.
- ◆ Maintain a 5° to 10° angle between the tool and work surface as shown in figure M.
- ◆ Continuously move the tool in a forward and back motion to avoid creating gouges in the work surface.
- ◆ Remove the tool from work surface before turning tool off. Allow the tool to stop rotating before laying it down.

Using sanding backing pads

Always choose the proper grit sanding discs for your application. Sanding discs are available in various grits. Coarse grits yield faster material removal rates and a rougher finish. Finer grits yield slower material removal and a smoother finish. Begin with coarse grit discs for fast, rough material removal. Move to a medium grit paper and finish with a fine grit disc for optimal finish.

- ◆ Coarse = 16 - 30 grit.
- ◆ Medium = 36 - 80 grit.
- ◆ Fine Finishing = 100 - 120 grit.
- ◆ Very Fine Finishing = 150 - 180 grit.
- ◆ Allow the tool to reach full speed before touching tool to the work surface.
- ◆ Apply minimum pressure to work surface, allowing the tool to operate at high speed. Sanding rate is greatest when the tool operates at high speed.
- ◆ Maintain a 5° to 10° angle between the tool and work surface as shown in figure N. The sanding disc should contact approximately 25mm of work surface.

- ◆ Move the tool constantly in a straight line to prevent burning and swirling of work surface. Allowing the tool to rest on the work surface without moving, or moving the tool in a circular motion causes burning and swirling marks on the work surface.
- ◆ Remove the tool from work surface before turning tool off. Allow the tool to stop rotating before laying it down.

Precautions to take when sanding paint

- ◆ Sanding of lead based paint is **NOT RECOMMENDED** due to the difficulty of controlling the contaminated dust. The greatest danger of lead poisoning is to children and pregnant women.
- ◆ Since it is difficult to identify whether or not a paint contains lead without a chemical analysis, we recommend the following precautions when sanding any paint:
 - ◆ No children or pregnant women should enter the work area where the paint sanding is being done until all clean up is completed.
 - ◆ A dust mask or respirator should be worn by all persons entering the work area. The filter should be replaced daily or whenever the wearer has difficulty breathing.

Note: Only those dust masks suitable for working with lead paint dust and fumes should be used. Ordinary painting masks do not offer this protection. See your local hardware dealer for the proper approved mask.

- ◆ **NO EATING, DRINKING or SMOKING** should be done in the work area to prevent ingesting contaminated paint particles. Workers should wash and clean up **BEFORE** eating, drinking or smoking. Articles of food, drink, or smoking should not be left in the work area where dust would settle on them.
- ◆ Paint should be removed in such a manner as to minimize the amount of dust generated.
- ◆ Areas where paint removal is occurring should be sealed with plastic sheeting of 4 mils thickness.
- ◆ Sanding should be done in a manner to reduce tracking of paint dust outside the work area.
- ◆ All surfaces in the work area should be vacuumed and thoroughly cleaned daily for the duration of the sanding project. Vacuum filter bags should be changed frequently.
- ◆ Plastic drop cloths should be gathered up and disposed of along with any dust chips or other removal debris. They should be placed in sealed refuse receptacles and disposed of through regular trash pick-up procedures. During clean up, children and pregnant women should be kept away from the immediate work area.
- ◆ All toys, washable furniture and utensils used by children should be washed thoroughly before being used again.

Fitting and using wire brushes and wire wheels

Wire cup brushes or wire wheels screw directly on the grinder spindle without the use of flanges. A Type 27 guard is required when using wire brushes and wheels. Wear work gloves when handling wire brushes and wheels. They can become sharp. Wheel or brush must not touch guard when mounted or while in use. Undetectable damage could occur to the accessory, causing wires to fragment from accessory wheel or cup.

- ◆ Thread the wheel on the spindle by hand.
- ◆ Depress spindle lock button and use a wrench on the hub of the wire wheel or brush to tighten the wheel.
- ◆ To remove the wheel, reverse the above procedure.

Warning! Failure to properly seat the wheel hub before turning the tool on may result in damage to tool or wheel. Wire wheels and brushes can be used for removing rust, scale and paint, and for smoothing irregular surfaces.

Note: The same precautions should be taken when wire brushing paint as when sanding paint.

- ◆ Allow the tool to reach full speed before touching the tool to the work surface.
- ◆ Apply minimum pressure to work surface, allowing the tool to operate at high speed. Material removal rate is greatest when the tool operates at high speed.
- ◆ Maintain a 5° to 10° angle between the tool and work surface for wire cup brushes as shown in figure O.
- ◆ Maintain contact between the edge of the wheel and the work surface with wire wheels.
- ◆ Continuously move the tool in a forward and back motion to avoid creating gouges in the work surface. Allowing the tool to rest on the work surface without moving, or moving the tool in a circular motion causes burning and swirling marks on the work surface.
- ◆ Remove the tool from the work surface before turning the tool off. Allow the tool to stop rotating before setting it down.

Warning! Use extra care when working over an edge, as a sudden sharp movement of grinder may be experienced.

Mounting and using cutting (type 41) wheels

Cutting wheels include diamond wheels and abrasive discs. Abrasive cutting wheels for metal and concrete use are available. Diamond blades for concrete cutting can also be used.

NOTE: A closed, 2-sided Type 41 cutting wheel guard is sold separately and is required when using cutting wheels. Failure to use proper flange and guard can result in injury resulting from wheel breakage and wheel contact.

Matching diameter backing flange and threaded clamp nut (included with tool) must be used for cutting wheels.

Mounting cutting wheels

- ◆ Place the unthreaded backing flange on spindle with the raised section (pilot) facing up. The raised section (pilot) on the backing flange will be against the wheel when the wheel is installed.
- ◆ Place the wheel on the backing flange, centering the wheel on the raised section (pilot).
- ◆ Install the threaded clamp nut with the raised section (pilot) facing away from the wheel.
- ◆ Depress the spindle lock button and tighten clamp nut with included wrench (16).
- ◆ To remove the wheel, depress the spindle lock button and loosen the threaded clamp nut with included wrench.

Warning! Do not use edge grinding/cutting wheels for surface grinding applications because these wheels are not designed for side pressures encountered with surface grinding. Wheel breakage and injury may result.

- ◆ Allow tool to reach full speed before touching tool to work surface.
- ◆ Apply minimum pressure to work surface, allowing tool to operate at high speed. Cutting rate is greatest when the tool operates at high speed.
- ◆ Once a cut is begun and a notch is established in the workpiece, do not change the angle of the cut. Changing the angle will cause the wheel to bend and may cause wheel breakage.
- ◆ Remove the tool from work surface before turning tool off. Allow the tool to stop rotating before setting it down.

Use

Warning! Let the tool work at its own pace. Do not overload.

- ◆ Be prepared for a stream of sparks when the grinding or cutting disc touches the workpiece.
- ◆ Always position the tool in such a way that the guard provides optimum protection from the grinding or cutting disc.

Switching on and off

- ◆ To switch the tool on, slide the lock off switch (2) forward.
- ◆ To switch the tool off, slide the lock off switch (2) backward.

Warning! Do not switch the tool off while under load.
Warning! Always engage lock off when the tool is not in use.

Hints for optimum use

- ◆ Firmly hold the tool with one hand around the side handle and the other hand around the main handle.
- ◆ When grinding, always maintain an angle of approx. 20° - 30° between the disc and the workpiece surface.




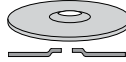


Maintenance







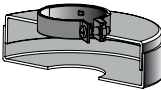
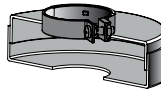






Your BLACK+DECKER corded/cordless appliance/tool has been designed to operate over a long period of time with a minimum of maintenance. Continuous satisfactory operation depends upon proper tool care and regular cleaning.








Warning! Before performing any maintenance on corded/cordless power tools:

- ◆ Switch off and unplug the appliance/tool.
- ◆ Or switch off and remove the battery from the appliance/tool if the appliance/tool has a separate battery pack.
- ◆ Or run the battery down completely if it is integral and then switch off.
- ◆ Unplug the charger before cleaning it. Your charger does not require any maintenance apart from regular cleaning.
- ◆ Regularly clean the ventilation slots in your appliance/tool/charger using a soft brush or dry cloth.
- ◆ Regularly clean the motor housing using a damp cloth. Do not use any abrasive or solvent-based cleaner.

Grinding and cutting accessory chart

Grinding Wheels	
 Type 27 guard	 Type 27 guard
 Unthreaded backing flange	
 Type 27 depressed center wheel	 Type 27 hubbed wheel
 Threaded clamp nut	

Sanding Flap Discs	
	
Type 27 guard	Type 27 guard
	
	
	
Hubbed sanding flap disc	non-hubbed sanding flap disc
Type 41 Cutting Wheels	
	
Type 41 guard	Type 41 guard
	
Backing flange	Backing flange
	
Abrasive cutting wheel	Diamond cutting wheel
	
Clamp nut	Clamp nut

Wire Wheels	
	
Type 27 guard	Type 27 guard
	
3 inch wire cup brush	4 inch wire cup brush
Sanding Discs	
	
Rubber backing pad	
	
Sanding disc	
	
Threaded clamp nut	

Protecting the environment



Separate collection. Products and batteries marked with this symbol must not be disposed of with normal household waste.

Products and batteries contain materials that can be recovered or recycled reducing the demand for raw materials. Please recycle electrical products and batteries according to local provisions. Further information is available at www.2helpU.com

Technical data

		BCG720 M1	BCG720 N
Input voltage	V _{AC}	18	18
Rated speed (No load)	min ⁻¹	8600	8600
Disc bore	mm	22	22
Max disc thickness			
Grinding discs	mm	6	6
Cutting discs	mm	3.5	3.5
Spindle size		M14	M14
Weight	Kg	2.1 minus battery and Wheel	2.1 minus battery and Wheel
Battery		BL4018	Bare Unit (not included)
Voltage	V _{DC}	18	
Capacity	Ah	4.0	
Type		Li-Ion	
Charger		9059995*	Bare Unit (not included)
Input Voltage	V _{AC}	230	
Output Voltage	V _{DC}	18	
Current	A	1.0	
Approx Charge Time	min	4	

Level of sound pressure according to EN 60745:
Sound pressure (L _{pa}) 76dB(A), uncertainty (K) 4dB(A)
acoustic power (L _{wa}) 87dB(A), uncertainty (K) 4dB(A)
Vibration total values (triaux vector sum) according to EN 60745:
Surface grinding (a _{h,sg}): 7,3m/s ² , K=1,5m/s ² .
Disc sanding (a _{h,ds}): 1,9m/s ² , K=1,5m/s ² .
Polishing (a _{h,p}): 8,6m/s ² , K=2,4m/s ² .
Wire Brushing (a _{h,wb}): 3,8m/s ² , K=1,5m/s ² .
Cutting-off (a _{h,co}): 4,0m/s ² , K=1,5m/s ² .

EC declaration of conformity
MACHINERY DIRECTIVE



BCG720 Angle grinder

Black & Decker declares that these products described under "technical data" are in compliance with:

2006/42/EC, EN 60745-1:2009+A11:2010;
EN 60745-2-3:2011+A2:2013+A11:2014
+ A12:2014+A13:2015

These products also comply with Directive 2014/30/EU and 2011/65/EU.

For more information, please contact Black & Decker at the following address or refer to the back of the manual.

The undersigned is responsible for compilation of the technical file and makes this declaration on behalf of Black & Decker..

R. Laverick
Director of Engineering
Black & Decker Europe, 210 Bath Road, Slough,
Berkshire, SL1 3YD
United Kingdom
10/01/2018

Guarantee

Black & Decker is confident of the quality of its products and offers consumers a 24 month guarantee from the date of purchase. This guarantee is in addition to and in no way prejudices your statutory rights. The guarantee is valid within the territories of the Member States of the European Union and the European Free Trade Area.

To claim on the guarantee, the claim must be in accordance with Black & Decker Terms and Conditions and you will need to submit proof of purchase to the seller or an authorised repair agent. Terms and conditions of the Black & Decker 2 year guarantee and the location of your nearest authorised repair agent can be obtained on the Internet at www.2helpU.com, or by contacting your local Black & Decker office at the address indicated in this manual.

Please visit our website www.blackanddecker.co.uk to register your new Black & Decker product and receive updates on new products and special offers.

Verwendungszweck

Ihr BLACK+DECKER Winkelschleifer BCG720 M1, BCG720 N ist für Schleif- und Schneidarbeiten an Metall und Mauerwerk ausgelegt, sofern geeignete Schneid- oder Schleifscheiben verwendet werden und die passende Schutzvorrichtung angebracht ist. Dieses Gerät ist nicht für den gewerblichen Einsatz vorgesehen.

Sicherheitshinweise

Allgemeine Sicherheitswarnungen für das Gerät



Warnung! Lesen Sie alle Sicherheitswarnhinweise und alle Anweisungen. Die Nichteinhaltung der folgenden Warnungen und Anweisungen kann einen elektrischen Schlag, Brand und/oder schwere Verletzungen verursachen.

Bewahren Sie alle Sicherheitswarnungen und Anweisungen gut auf. Der nachfolgend verwendete Begriff "Gerät" bezieht sich auf netzbetriebene Geräte (mit Netzkabel) und auf akkubetriebene Geräte (ohne Netzkabel).

1. Sicherheit im Arbeitsbereich

- Halten Sie Ihren Arbeitsbereich sauber und gut ausgeleuchtet.** Unaufgeräumte oder dunkle Bereiche begünstigen Unfälle.
- Betreiben Sie das Gerät nicht in Umgebungen, in denen Explosionsgefahr z. B. aufgrund von brennbaren Flüssigkeiten, Gasen oder Staub besteht.** Geräte erzeugen Funken, die den Staub oder die Dämpfe entzünden können.
- Halten Sie Kinder und andere Personen während der Benutzung eines Geräts fern.** Bei Ablenkung können Sie die Kontrolle verlieren.

2. Elektrische Sicherheit

- Der Netzstecker des Geräts muss in die Steckdose passen. Ändern Sie niemals den Stecker in irgendeiner Form. Verwenden Sie keinerlei Adapterstecker an geerdeten Elektrogeräten.** Unveränderte Stecker und passende Steckdosen mindern die Gefahr eines elektrischen Schlages.
- Vermeiden Sie Körperkontakt mit geerdeten Oberflächen von Rohren, Heizungen, Herden und Kühlschränken.** Es besteht eine erhöhte Gefahr für einen elektrischen Schlag, wenn Ihr Körper geerdet ist.
- Halten Sie Geräte von Regen und Nässe fern.** Das Eindringen von Wasser in ein Gerät erhöht das Risiko eines elektrischen Schlages.
- Verwenden Sie das Kabel ordnungsgemäß. Verwenden Sie es niemals zum Tragen. Trennen Sie**

das Gerät nicht durch Ziehen am Kabel vom Netz. Halten Sie das Kabel fern von Hitze, Öl, scharfen Kanten oder beweglichen Teilen. Beschädigte oder verhedderte Kabel erhöhen die Gefahr eines elektrischen Schlages.

- Verwenden Sie nur für den Außenbereich zugelassene Verlängerungskabel, wenn Sie mit dem Gerät im Freien arbeiten.** Die Verwendung eines für den Außenbereich geeigneten Verlängerungskabels verringert das Risiko eines elektrischen Schlages.
- Wenn das Gerät in einer feuchten Umgebung verwendet werden muss, schließen Sie es unbedingt an eine Steckdose mit Fehlerstromschutzschalter (FI-Schalter) an.** Ein Fehlerstromschutzschalter verringert das Risiko eines elektrischen Schlages.

3. Sicherheit von Personen

- Seien Sie aufmerksam, achten Sie darauf, was Sie tun, und gehen Sie sachgerecht mit einem Gerät um. Benutzen Sie kein Gerät, wenn Sie müde sind oder unter dem Einfluss von Drogen, Alkohol oder Medikamenten stehen.** Ein Moment der Unachtsamkeit beim Betrieb eines Geräts kann zu schweren Verletzungen führen.
- Verwenden Sie eine geeignete Schutzausrüstung. Tragen Sie immer einen Augenschutz.** Das Tragen persönlicher Schutzausrüstung, wie Staubmaske, rutschfeste Sicherheitsschuhe, Schutzhelm oder Gehörschutz, je nach Art und Einsatz des Geräts, verringert das Risiko von Verletzungen.
- Vermeiden Sie eine unbeabsichtigte Inbetriebnahme. Vergewissern Sie sich, dass das Gerät ausgeschaltet ist, bevor Sie es an eine Steckdose oder einen Akku anschließen, es hochheben oder tragen.** Wenn Sie beim Tragen des Geräts den Finger am Schalter haben oder das Gerät eingeschaltet an die Stromversorgung anschließen, kann dies zu Unfällen führen.
- Entfernen Sie Einstell- oder Schraubenschlüssel, bevor Sie das Gerät einschalten.** Werkzeuge oder Schlüssel, die an rotierenden Teilen des Geräts angebracht sind, können zu Verletzungen führen.
- Beugen Sie sich nicht zu weit nach vorne. Sorgen Sie für einen sicheren Stand und halten Sie jederzeit das Gleichgewicht.** Dadurch können Sie das Gerät in unerwarteten Situationen besser kontrollieren.
- Tragen Sie geeignete Kleidung. Tragen Sie keine weite Kleidung und keinen Schmuck. Halten Sie Ihre Haare, Kleidung und Handschuhe von beweglichen Teilen fern.** Lose sitzende Kleidung, Schmuck oder lange Haare können sich in den beweglichen Teilen verfangen.
- Falls Vorrichtungen zum Absaugen oder Auffangen von Staub vorhanden sind, vergewissern Sie sich, dass diese angeschlossen sind und richtig verwendet**

werden. Das Verwenden einer Staubauffangvorrichtung verringert Gefährdungen durch Staub.

- Vermeiden Sie, durch die häufige Nutzung des Werkzeugs in einen Trott zu verfallen und Prinzipien für die Werkzeugsicherheit zu ignorieren.** Eine unachtsame Aktion kann im Bruchteil einer Sekunde zu schweren Verletzungen führen.
- Gebrauch und Pflege von Geräten**
 - Überlasten Sie das Gerät nicht. Verwenden Sie das für Ihre Arbeit passende Gerät.** Das richtige Gerät wird die Aufgabe besser und sicherer erledigen, wenn es bestimmungsgemäß verwendet wird.
 - Verwenden Sie das Gerät nicht, wenn der Ein-/Ausschalter nicht funktioniert.** Ein Gerät, das sich nicht mehr ein- oder ausschalten lässt, ist gefährlich und muss repariert werden.
 - Ziehen Sie den Stecker aus der Steckdose, oder trennen Sie das Gerät vom Akku, bevor Sie Einstellungen vornehmen, Zubehörteile wechseln oder das Gerät lagern.** Diese Vorbeugemaßnahmen mindern die Gefahr, dass das Elektrogerät unbeabsichtigt startet.
 - Bewahren Sie unbenutzte Geräte außerhalb der Reichweite von Kindern auf. Lassen Sie Geräte nicht von Personen benutzen, die damit nicht vertraut sind oder diese Anweisungen nicht gelesen haben.** Geräte sind in den Händen nicht geschulter Personen gefährlich.
 - Halten Sie das Gerät in einem einwandfreien Zustand. Kontrollieren Sie, ob bewegliche Teile falsch ausgerichtet sind oder klemmen und ob Teile gebrochen oder so beschädigt sind, dass die Funktion des Geräts beeinträchtigt ist. Bei Beschädigungen lassen Sie das Gerät reparieren, bevor Sie es verwenden.** Viele Unfälle entstehen wegen mangelnder Wartung der Geräte.
 - Halten Sie Schneidgeräte scharf und sauber.** Richtig gewartete Schneidwerkzeuge mit scharfen Klingen blockieren seltener und sind leichter unter Kontrolle zu halten.
 - Verwenden Sie Gerät, Zubehör, Einsatz-Bits usw. entsprechend diesen Anweisungen und berücksichtigen Sie dabei die Arbeitsbedingungen und die auszuführende Arbeit.** Der Gebrauch von Geräten für andere als die vorgesehenen Zwecke kann zu gefährlichen Situationen führen.
 - Halten Sie die Griffe trocken, sauber und frei von Öl und Fett.** Rutschige Griffe und Oberflächen unterbinden die sichere Bedienbarkeit und Kontrolle über das Werkzeug in unerwarteten Situationen.
 - Gebrauch und Pflege von Akkuwerkzeugen**
 - Laden Sie den Akku nur mit dem vom Hersteller**

vorgesehenen Ladegerät auf. Für ein Ladegerät, das nur für eine bestimmte Akkuart geeignet ist, besteht Brandgefahr, wenn es mit anderen Akkus verwendet wird.

- Verwenden Sie nur die für das jeweilige Gerät vorgesehenen Akkus.** Die Verwendung anderer Akkus kann zu Verletzungen oder Bränden führen.
- Bewahren Sie den Akku bei Nichtbenutzung nicht in der Nähe metallischer Objekte wie Büroklammern, Münzen, Schlüsseln, Nägeln oder Schrauben auf, da diese eine Verbindung zwischen beiden Polen des Akkus herstellen können.** Durch den dadurch entstehenden Kurzschluss kann der Akku in Brand geraten.
- Bei falscher Anwendung kann Flüssigkeit aus dem Akku austreten. Vermeiden Sie den Kontakt damit. Bei unbeabsichtigtem Kontakt mit Wasser abspülen. Gelangt die Flüssigkeit in die Augen, ziehen Sie außerdem ärztliche Hilfe hinzu.** Austretende Akkuflüssigkeit kann zu Hautreizungen oder Verbrennungen führen.
- Verwenden Sie keine Akkus oder Werkzeuge, die beschädigt sind oder modifiziert wurden.** Beschädigte oder modifizierte Akkus können sich unvorhersehbar verhalten und stellen ein Risiko von Feuer, Explosionen oder Verletzungen dar.
- Setzen Sie Akkus und Werkzeuge keinem Feuer oder extremen Temperaturen aus.** Die Einwirkung von Feuer oder Temperaturen über 130°C kann zu Explosionen führen.
- Befolgen Sie alle Anweisungen zum Aufladen und laden Sie den Akku oder das Werkzeug nicht jenseits des in der Anleitung angegebenen Temperaturbereichs auf.** Das falsche Aufladen oder das Aufladen bei Temperaturen jenseits des angegebenen Bereichs kann den Akku beschädigen und das Brandrisiko erhöhen.

6. Service

- Lassen Sie das Gerät nur von qualifiziertem Fachpersonal und nur mit Originalersatzteilen reparieren.** Damit wird sichergestellt, dass die Sicherheit des Geräts erhalten bleibt.
- Führen Sie an beschädigten Akkus niemals Wartungsarbeiten durch.** Die Wartung von Akkus darf nur vom Hersteller oder von autorisierten Dienstleistern durchgeführt werden.

Zusätzliche Sicherheitswarnungen für das Gerät



Warnung! Zusätzliche Sicherheitshinweise für Schleif-, Schmirgel-, Drahtbürst-, Polier- oder Trennschleifarbeiten:

- ◆ **Dieses Gerät kann als Schleif-, Drahtbürst-, Polier- oder Trenngerät verwendet werden. Beachten Sie alle Sicherheitshinweise, Anweisungen, Darstellungen und Daten, die Sie mit dem Gerät erhalten.** Wenn Sie die folgenden Anweisungen nicht beachten, kann es zu elektrischem Schlag, Feuer und/oder schweren Verletzungen kommen.
- ◆ **Verwendungen, für die das Elektrowerkzeug nicht vorgesehen ist, können Gefährdungen und Verletzungen verursachen.**
- ◆ **Verwenden Sie kein Zubehör, das vom Hersteller nicht speziell für dieses Elektrowerkzeug vorgesehen und empfohlen wurde.** Nur weil Sie das Zubehör an Ihrem Elektrowerkzeug befestigen können, garantiert dies keine sichere Verwendung.
- ◆ **Die zulässige Drehzahl des Einsatzwerkzeugs muss mindestens so hoch sein wie die auf dem Elektrowerkzeug angegebene Höchstzahl.** Zubehör, das sich schneller als zulässig dreht, kann zerbrechen und umherfliegen.
- ◆ **Der Außendurchmesser und die Stärke des Zubehörs müssen innerhalb der Gerätekapazität liegen.** Zubehör mit falschen Maßen kann nicht ausreichend kontrolliert werden.
- ◆ **Das Gewinde von Zubehör muss mit dem Spindelgewinde des Schleifers zusammenpassen. Bei Zubehör mit Flanschbefestigung muss das Aufnahmeloch des Zubehörs mit dem Flanschdurchmesser übereinstimmen.** Zubehör, das nicht genau auf die Schleifspindel des Elektrowerkzeugs passt, dreht sich ungleichmäßig, vibriert sehr stark und kann zum Verlust der Kontrolle führen.
- ◆ **Verwenden Sie kein beschädigtes Zubehör. Kontrollieren Sie vor jeder Verwendung Einsatzwerkzeuge wie Schleifscheiben auf Absplittungen und Risse, Schleifteller auf Risse, Verschleiß oder starke Abnutzung, Drahtbürsten auf lose oder gebrochene Drähte. Wenn das Elektrowerkzeug oder das Einsatzwerkzeug heruntergefallen ist, überprüfen Sie, ob es beschädigt ist, oder verwenden Sie ein unbeschädigtes Einsatzwerkzeug. Wenn nach der Überprüfung das Zubehör montiert wird, muss das Gerät eine Minute lang bei maximaler Leerlaufdrehzahl betrieben werden.** Beschädigte Einsatzwerkzeuge brechen meist in dieser Testzeit.
- ◆ **Verwenden Sie eine geeignete Schutzausrüstung. Verwenden Sie je nach Anwendung Vollgesichtsschutz, Augenschutz oder Schutzbrille. Soweit angemessen, tragen Sie Staubmaske, Gehörschutz, Schutzhandschuhe oder Spezialschürze, die kleine Schleif- und Materialpartikel von Ihnen fernhält.** Die Augen sollen vor

herumfliegenden Fremdkörpern geschützt werden, die bei verschiedenen Anwendungen entstehen. Die Staub- oder Atemmaske muss die Partikel filtern können, die durch den Einsatz entstehen. Wenn Sie lange lautem Lärm ausgesetzt sind, können Sie einen Hörverlust erleiden.

- ◆ **Halten Sie andere Personen vom Arbeitsbereich fern. Jeder, der den Arbeitsbereich betritt, muss persönliche Schutzausrüstung tragen.** Bruchstücke des Werkstücks oder gebrochener Einsatzwerkzeuge können wegfiegen und Verletzungen auch außerhalb des direkten Arbeitsbereichs verursachen.
- ◆ **Halten Sie das Elektrowerkzeug an den isolierten Griffflächen, wenn Arbeiten durchgeführt werden, bei denen das Schneidwerkzeug versteckte Leitungen oder die eigene Anschlussleitung berühren könnte.** Der Kontakt mit einer spannungsführenden Leitung kann auch metallene Geräteteile unter Spannung setzen und zu einem elektrischen Schlag führen.
- ◆ **Sichern Sie das Werkstück zum Beispiel mit Einspannvorrichtungen auf einer stabilen Plattform.** Das Werkstück ist instabil, wenn es mit der Hand oder dem Körper abgestützt wird, was zum Verlust der Kontrolle führen kann.
- ◆ **Halten Sie das Netzkabel von sich drehenden Einsatzwerkzeugen fern.** Wenn Sie die Kontrolle über das Gerät verlieren, kann das Netzkabel durchtrennt oder erfasst werden und Ihre Hand oder Ihr Arm in das sich drehende Einsatzwerkzeug geraten.
- ◆ **Legen Sie das Elektrowerkzeug niemals ab, bevor das Einsatzwerkzeug völlig zum Stillstand gekommen ist.** Das sich drehende Einsatzwerkzeug kann in Kontakt mit der Ablagefläche geraten, wodurch Sie die Kontrolle über das Elektrowerkzeug verlieren können.
- ◆ **Lassen Sie das Elektrowerkzeug nicht laufen, während Sie es tragen.** Ihre Kleidung kann durch zufälligen Kontakt mit dem sich drehenden Einsatzwerkzeug erfasst werden, und das Einsatzwerkzeug sich in Ihren Körper bohren.
- ◆ **Reinigen Sie regelmäßig die Lüftungsschlitze Ihres Elektrowerkzeugs.** Das Motorgebläse zieht Staub in das Gehäuse, und eine starke Ansammlung von Metallstaub kann elektrische Gefahren verursachen.
- ◆ **Verwenden Sie das Elektrowerkzeug nicht in der Nähe brennbarer Materialien.** Funken können diese Materialien entzünden.
- ◆ **Verwenden Sie keine Einsatzwerkzeuge, die flüssige Kühlmittel erfordern.** Die Verwendung von Wasser oder anderen flüssigen Kühlmitteln kann zu einem elektrischen Schlag führen.

Hinweis: Dieser Sicherheitshinweis gilt nicht für Geräte, die speziell für die Verwendung mit flüssigen Kühlmitteln entwickelt wurden.

Rückschlag und damit verbundene Sicherheitshinweise

Rückschlag ist die plötzliche Reaktion infolge eines hakenden oder blockierten drehenden Einsatzwerkzeugs, wie Schleifscheibe, Schleifteller, Drahtbürste usw. Durch das daraus folgende unmittelbare Stoppen des Zubehörs wird das Gerät in die Richtung bewegt, die der Drehrichtung des Zubehörs entgegengesetzt ist.

Wenn z. B. eine Schleifscheibe im Werkstück hakt oder blockiert, kann sich die Kante der Schleifscheibe, die in das Werkstück eintaucht, verfangen und dadurch die Schleifscheibe ausbrechen oder einen Rückschlag verursachen. Abhängig von der Drehrichtung kann die Scheibe entweder zum Bediener hin- oder von ihm wegspringen. Hierbei können Schleifscheiben auch brechen.

Ein Rückschlag ist das Resultat eines Missbrauchs und/oder einer falschen Bedienung des Geräts und/oder falscher Betriebsbedingungen. Er kann durch die entsprechenden unten angegebenen Vorsichtsmaßnahmen vermieden werden.

- ◆ **Halten Sie das Gerät stets fest im Griff, und nehmen Sie eine Körper- und Armhaltung ein, in der Sie Rückschläge auffangen können. Verwenden Sie stets den Zusatzgriff, sofern vorhanden, sodass Sie optimal auf eventuelle Rückschläge oder Drehmomente während des Startens reagieren können.** Rückschlagkräfte oder Drehmomente können vom Bediener mittels entsprechender Vorsichtsmaßnahmen unter Kontrolle gehalten werden.
- ◆ **Halten Sie Ihre Hände von sich drehendem Zubehör fern.** Das Einsatzwerkzeug kann sich beim Rückschlag über Ihre Hand bewegen.
- ◆ **Positionieren Sie Ihren Körper so, dass das Gerät im Falle eines Rückschlags nicht in Ihre Richtung gedrückt wird.** Durch einen Rückschlag wird das Gerät in die Richtung gedrückt, die der Drehrichtung des Zubehörs zum Zeitpunkt des Verkantens entgegengesetzt ist.
- ◆ **Beim Bearbeiten von Ecken, scharfen Kanten usw. ist besondere Aufmerksamkeit erforderlich. Verhindern Sie ein Springen und Verkanten des Geräts.** Das rotierende Einsatzwerkzeug neigt bei Ecken, scharfen Kanten oder wenn es abprallt, dazu, sich zu verklemmen. Dies verursacht einen Kontrollverlust oder Rückschlag.
- ◆ **Bringen Sie keine Sägeketten, Holzmesser oder gezahnte Sägen an.** Solche Einsatzwerkzeuge verursachen häufig einen Rückschlag oder den Verlust der Kontrolle über das Elektrowerkzeug.

Spezielle Sicherheitshinweise für Schleif- und Trennarbeiten

- ◆ **Verwenden Sie ausschließlich Scheiben, die zur Verwendung mit Ihrem Gerät empfohlen werden, sowie die für die verwendete Scheibe passende Schutzvorrichtung.** Schleifkörper, die nicht für das Elektrowerkzeug vorgesehen sind, können nicht ausreichend abgeschirmt werden und sind unsicher.
- ◆ **Die Schleifoberfläche von gekröpften Scheiben muss unterhalb der Schutzlippe befestigt werden.** Ein falsch montiertes Rad, das durch die Fläche der Schutzlippe hervorsteht, wird nicht angemessen geschützt.
- ◆ **Die Schutzvorrichtung muss sorgfältig am Gerät angebracht und für optimalen Schutz ausgerichtet werden, sodass möglichst viel Scheibenfläche von der Schutzvorrichtung abgeschirmt wird.** Die Schutzvorrichtung soll die Bedienperson vor Bruchstücken und zufälligem Kontakt mit dem Schleifkörper sowie vor Funken schützen, durch die die Kleidung entzündet werden könnte.
- ◆ **Die Scheiben dürfen nur gemäß ihrer Verwendungsbestimmungen eingesetzt werden. Zum Beispiel: Schleifen Sie nie mit der Seitenfläche einer Trennscheibe.** Trennscheiben sind zum Materialabtrag mit der Kante der Scheibe bestimmt. Seitliche Kraffeinwirkung auf diese Schleifkörper kann sie zerbrechen.
- ◆ **Verwenden Sie für die ausgewählte Scheibe ausschließlich unbeschädigte Scheibenflansche von entsprechender Größe und Form.** Geeignete Flansche stützen die Schleifscheibe und verringern so die Gefahr eines Schleifscheibenbruchs. Flansche für Trennscheiben können sich von den Flanschen für andere Schleifscheiben unterscheiden.
- ◆ **Verwenden Sie keine abgenutzten Scheiben von größeren Geräten.** Schleifscheiben für größere Elektrowerkzeuge sind nicht für die höheren Drehzahlen von kleineren Elektrowerkzeugen ausgelegt und können brechen.

Zusätzliche Sicherheitshinweise für Trennarbeiten

- ◆ **Rammen Sie die Scheibe nicht in das Werkstück, und üben Sie keinen übermäßigen Druck aus. Führen Sie keine übermäßig tiefen Schnitte aus.** Bei Überlastung der Scheibe erhöht sich das Risiko eines Verdrehens oder Verkantens im Schnitt und somit auch das Risiko eines Rückschlags oder Scheibenbruchs.
- ◆ **Positionieren Sie Ihren Körper niemals in einer Linie mit und hinter der sich drehenden Scheibe.** Wenn Sie die Trennscheibe im Werkstück von sich wegbewegen, kann im Falle eines Rückschlags das Elektrowerkzeug mit der sich drehenden Scheibe direkt auf Sie zugeschleudert werden.

- ◆ **Wenn die Scheibe verkantet oder Sie die Arbeit unterbrechen möchten, schalten Sie das Gerät aus, und halten Sie es bewegungslos, bis die Scheibe vollständig zum Stillstand kommt. Versuchen Sie nie, die noch laufende Trennscheibe aus dem Schnitt zu ziehen, sonst kann ein Rückschlag erfolgen.** Ermitteln und beheben Sie die Ursache für das Verkleben.
- ◆ **Starten Sie den Arbeitsvorgang nicht im Werkstück. Lassen Sie die Trennscheibe erst ihre volle Drehzahl erreichen, bevor Sie den Schnitt vorsichtig fortsetzen.** Anderenfalls kann die Scheibe verhaken, aus dem Werkstück springen oder einen Rückschlag verursachen.
- ◆ **Stützen Sie Platten oder große Werkstücke ab, um das Risiko eines Rückschlags durch eine eingeklemmte Trennscheibe zu vermindern.** Große Werkstücke können sich unter ihrem eigenen Gewicht durchbiegen. Das Werkstück muss auf beiden Seiten der Scheibe abgestützt werden, und zwar sowohl in der Nähe des Trennschnitts als auch an der Kante.
- ◆ **Gehen Sie beim Eintauchschnitt in Wände oder sonstige unübersichtliche Bereiche besonders vorsichtig vor.** Die eintauchende Trennscheibe kann beim Schneiden in Gas- oder Wasserleitungen, elektrische Leitungen oder andere Objekte einen Rückschlag verursachen.

Spezielle Sicherheitshinweise für Schleifarbeiten

- ◆ **Verwenden Sie kein Schleifpapier, das die erforderliche Größe zu sehr übersteigt. Befolgen Sie bei der Auswahl von Schleifpapier die Herstellerempfehlungen.** Schleifblätter, die über den Schleifteller hinausragen, können Verletzungen verursachen sowie zum Blockieren, Zerreißen der Schleifblätter oder zum Rückschlag führen.

Spezielle Sicherheitshinweise für Polierarbeiten

- ◆ **Lose Komponenten der Polierhaube oder lose Befestigungsschnüre dürfen keinesfalls frei drehen. Verstauen oder kürzen Sie die Befestigungsschnüre.** Lose, sich mitdrehende Befestigungsschnüre können Ihre Finger erfassen oder sich im Werkstück verfangen.

Spezielle Sicherheitshinweise für Abbürstarbeiten

- ◆ **Beachten Sie, dass sich auch während des normalen Betriebs Drahtborsten lösen und umhergeschleudert werden. Überlasten Sie die Drähte nicht durch zu hohen Anpressdruck.** Wegfliegende Drahtstücke können sehr leicht durch dünne Kleidung und/oder die Haut dringen.
- ◆ **Wenn für Bürstarbeiten die Verwendung einer Schutzvorrichtung empfohlen wird, dürfen weder Scheibe noch Bürste in Kontakt mit der Schutzvorrichtung kommen.** Der Durchmesser von

Scheibe oder Bürste kann sich durch Arbeitsbelastung und Zentrifugalkräfte erhöhen.



Warnung! Die beim Sandschleifen/Schleifen von bestimmten Materialien entstehenden Stäube können bei Berührung oder Einatmen die Gesundheit schädigen. Tragen Sie eine speziell für den Schutz vor Staub und Dämpfen vorgesehene Staubmaske, und stellen Sie sicher, dass auch andere Personen entsprechend geschützt sind, die den Arbeitsplatz betreten oder sich dort aufhalten.

Sicherheit anderer Personen

- ◆ Dieses Gerät darf nicht von Personen (einschließlich Kindern) mit eingeschränkten physischen, sensorischen oder mentalen Fähigkeiten oder ohne ausreichende Erfahrung oder Kenntnisse verwendet werden, außer wenn diese Personen von einer Person, die für ihre Sicherheit verantwortlich ist, bei der Verwendung des Geräts beaufsichtigt oder mit ihm vertraut gemacht werden.
- ◆ Kinder müssen beaufsichtigt werden, um sicherzustellen, dass sie nicht mit dem Gerät spielen.

Restrisiken

Beim Gebrauch dieses Geräts verbleiben zusätzliche Restrisiken, die möglicherweise nicht in den Sicherheitswarnungen genannt werden. Diese Risiken bestehen beispielsweise bei Missbrauch oder längerem Gebrauch. Auch bei der Einhaltung der entsprechenden Sicherheitsvorschriften und der Verwendung aller Sicherheitsgeräte bestehen weiterhin bestimmte Restrisiken. Diese sind:

- ◆ Verletzungen, die durch das Berühren von sich drehenden/bewegenden Teilen verursacht werden.
- ◆ Verletzungen, die durch das Austauschen von Teilen, Messern oder Zubehör verursacht werden.
- ◆ Verletzungen, die durch längeren Gebrauch eines Geräts verursacht werden. Legen Sie bei längerem Gebrauch regelmäßige Pausen ein.
- ◆ Beeinträchtigung des Gehörs.
- ◆ Gesundheitsrisiken durch das Einatmen von Staub beim Verwenden des Geräts (beispielsweise bei Holzarbeiten, insbesondere Eiche, Buche und MDF.)

Vibration

Die in den Abschnitten "Technische Daten" und "EU-Konformitätserklärung" angegebenen Werte für die Vibrationsemission wurden mit einer Standard-Prüfmethode nach EN 60745 ermittelt und können zum Vergleich verschiedener Geräte herangezogen werden. Außerdem kann

mit Hilfe dieses Werts die Belastung bei Verwendung des Geräts schon im Voraus eingeschätzt werden.

Warnung! Die bei Verwendung des Geräts auftretende Vibrationsemission hängt von der Art des Gerätegebrauchs ab und kann dementsprechend von dem angegebenen Wert abweichen. Gegebenenfalls kann die Vibration über dem angegebenen Wert liegen.

Für die Ermittlung der Vibrationsbelastung müssen die tatsächlichen Einsatzbedingungen und Verwendungen des Geräts während des gesamten Arbeitsgangs berücksichtigt werden, einschließlich der Zeiten, wenn das Gerät nicht verwendet oder im Leerlauf betrieben wird. Diese Werte werden benötigt, um die gemäß 2002/44/EG erforderlichen Sicherheitsmaßnahmen zum Schutz von Personen festlegen zu können.

Etiketten am Werkzeug

Folgende Piktogramme sowie der Datumscode befinden sich auf dem Werkzeug:



Warnung! Lesen Sie vor Gebrauch die Anleitung. Andernfalls besteht Verletzungsgefahr.



Tragen Sie eine Schutzbrille, wenn Sie mit dem Gerät arbeiten.



Tragen Sie einen Gehörschutz, wenn Sie mit dem Gerät arbeiten.

Zusätzliche Sicherheitshinweise für Akkus und Ladegeräte

Akku (nur Modell BCG720M1)

- ◆ Keinesfalls versuchen, den Akku zu öffnen.
- ◆ Achten Sie darauf, dass der Akku nicht mit Wasser in Berührung kommt.
- ◆ Nicht bei Temperaturen über 40 °C lagern.
- ◆ Laden Sie den Akku ausschließlich bei Umgebungstemperaturen zwischen 10 °C und 40 °C.
- ◆ Verwenden Sie ausschließlich das mitgelieferte Ladegerät.
- ◆ Beachten Sie bei der Entsorgung von Batterien und Akkus die Hinweise im Abschnitt "Umweltschutz".



Versuchen Sie nie, beschädigte Akkus aufzuladen.

Ladegeräte (nur Modell BCG720M1)

- ◆ Verwenden Sie das BLACK+DECKER Ladegerät nur für den Akku des Werkzeugs, mit dem es geliefert wurde. Andere Akkus können platzen und Sachschäden oder Verletzungen verursachen.
- ◆ Versuchen Sie keinesfalls, nicht aufladbare Batterien zu laden.
- ◆ Lassen Sie beschädigte Kabel sofort austauschen.

- ◆ Achten Sie darauf, dass das Ladegerät nicht mit Wasser in Berührung kommt.
- ◆ Versuchen Sie nicht, das Ladegerät zu öffnen.
- ◆ Nehmen Sie am Ladegerät keine Veränderungen vor.



Das Ladegerät darf nur im Innenbereich verwendet werden.



Vor Gebrauch die Anleitung lesen.

Elektrische Sicherheit



Das Ladegerät ist schutzisoliert, daher ist keine Erdleitung erforderlich. Stellen Sie sicher, dass die Netzspannung der auf dem Typenschild des Geräts angegebenen Spannung entspricht. Ersetzen Sie das Ladegerät keinesfalls durch ein normales Netzkabel.

- ◆ Bei einer Beschädigung des Netzkabels muss dieses durch den Hersteller oder eine BLACK+DECKER-Werkstatt ausgetauscht werden, um mögliche Gefahren zu vermeiden.

Merkmale

Dieses Gerät verfügt über einige oder alle der folgenden Merkmale:

1. Betriebssperre
2. Auslöseschalter
3. Zusatzhandgriff
4. Spindelverriegelung
5. Schleifschutz
6. Schleifscheiben
7. Akkuanschluss
8. Akku (nur Modell BCG720M1)

Laden eines Akkus (Abb. A)

BLACK+DECKER Ladegeräte sind nur dazu vorgesehen, BLACK+DECKER Akkus aufzuladen.

- ◆ Setzen Sie das Ladegerät (9) in eine geeignete Steckdose ein, bevor Sie einen Akku (8) einsetzen.
- ◆ Legen Sie den Akku (8) vollständig in das Ladegerät ein, achten Sie dabei darauf, dass er vollständig eingesetzt ist (Abbildung A).



Die LED (9a) blinkt, wenn der Akku geladen wird.



Der Abschluss des Ladevorgangs wird dadurch angezeigt, dass die LED dauerhaft leuchtet. Der Akku ist vollständig aufgeladen und kann jetzt verwendet oder in der Ladestation gelassen werden.

- ◆ Laden Sie entladene Akkus so bald wie möglich nach dem Gebrauch wieder auf, da sonst die Batteriebensdauer

stark verringert werden kann. Um die maximal Akkulaufzeit zu erreichen, sollte der Akku nicht vollständig entladen werden. Es wird empfohlen, den Akku nach jedem Gebrauch aufzuladen.

Ladegerät diagnose (Abb. B)

Das Ladegerät ist so konzipiert, dass es bestimmte Probleme erkennen kann, die am Akku oder der Stromquelle auftreten können. Probleme werden dadurch angezeigt, dass eine LED in verschiedenen Sequenzen blinkt.

Defekter Akku



Das Ladegerät kann einen schwachen oder beschädigten Akku erkennen. Die LED blinkt mit dem Muster, das auf dem Etikett angegeben ist. Wenn das Blinkmuster für einen defekten Akku zu sehen ist, laden Sie den Akku nicht weiter auf. Bringen Sie ihn zu einem Kundendienstzentrum oder einer Recycling-Sammelstelle.

Verzögerung heißer/kalter Akku



Wenn das Ladegerät erkennt, dass ein Akku übermäßig heiß oder kalt ist, startet es automatisch eine "Verzögerung heißer/kalter Akku", bis sich der Akku normalisiert hat. Danach schaltet das Ladegerät automatisch in den Akku-Lademodus. Diese Funktion gewährleistet eine maximale Lebensdauer des Akkus. Die Leuchte blinkt mit dem Muster, das auf dem Etikett angegeben ist.

Belassen des Akkus im Ladegerät

Sie können den Akku auch im Ladegerät belassen. In diesem Fall leuchtet die LED-Anzeige dauerhaft. Das Ladegerät hält den Akku in einem vollständig geladenen Zustand. Dieses Ladegerät verfügt über einen automatischen Feinabstimmungsmodus, der die einzelnen Zellen im Akku abgleicht oder ausgleicht, um eine maximale Kapazität zu gewährleisten. Die Feinabstimmung des Akkus sollte wöchentlich erfolgen oder wenn der Akku keine ausreichende Leistung mehr liefert. Um die automatische Feinabstimmung zu verwenden, setzen Sie den Akku in das Ladegerät ein und lassen ihn mindestens 8 Stunden darin stecken.

Wichtige Hinweise zum Aufladen

- Die längste Lebensdauer und die beste Leistung werden erhalten, wenn der Akku dann geladen wird, wenn die Lufttemperatur zwischen 18 °C – 24 °C liegt. Laden Sie den Akku NICHT bei einer Lufttemperatur unter +4,5 °C) oder über +40 °C. Dies ist wichtig, da so schwere Schäden am Akku verhindert werden.
- Das Ladegerät und der Akku können sich während des Ladevorgangs warm anfühlen. Dies ist ein normaler Zustand und weist nicht auf ein Problem hin. Um das

Abkühlen des Akkus nach dem Gebrauch zu erleichtern, platzieren Sie das Ladegerät und den Akku nicht in einer warmen Umgebung, wie beispielsweise in einem Metallschuppen oder einem nicht isolierten Wohnwagen.

- Wenn der Akku nicht richtig aufgeladen wird:
 - Prüfen Sie die Funktionsfähigkeit der Steckdose, indem Sie eine Lampe oder ein anderes Gerät daran anschließen;
 - Überprüfen Sie, ob die Steckdose mit einem Lichtschalter verbunden ist, der auch das Gerät ausschaltet, wenn das Licht ausgeschaltet wird;
 - Bringen Sie Ladegerät und Akku an einen Ort, wo die Umgebungstemperatur ca. 18 °C – 24 °C beträgt;
 - Wenn die Ladeprobleme bestehen bleiben, bringen Sie Werkzeug, Akku und Ladegerät zu Ihrer lokalen Vertragswerkstatt.
- Der Akku sollte aufgeladen werden, wenn das Gerät nicht mehr die volle Leistung bringt. Betreiben Sie das Werkzeug in diesem Fall NICHT WEITER. Befolgen Sie die Anweisungen bezüglich des Aufladens. Sie können auch jederzeit einen teilweise entleerten Akku aufladen, ohne dass dies nachteilige Auswirkungen auf den Akku hat.
- Leitende Fremdmaterialien, wie z. B. Schleifstaub, Metallspäne, Stahlwolle, Aluminiumfolie oder die Ansammlung von Metallpartikeln von den Hohlräumen des Ladegerätes fernhalten. Ziehen Sie den Netzstecker des Ladegerätes vor dem Reinigen aus der Steckdose.
- Das Ladegerät nicht einfrieren oder in Wasser oder andere Flüssigkeiten tauchen.

Einsetzen und Entfernen des Akkus (Abb. C, D)

- Um den Akku (8) einzusetzen, richten Sie ihn an der Aufnahme am Gerät (7) aus. Schieben Sie den Akku in die Aufnahme, bis er in der richtigen Position einrastet.
- Um den Akku zu entnehmen, drücken Sie die Entriegelungstaste des Akkus (8a) und schieben gleichzeitig den Akku aus der Aufnahme.

Montage

Warnung! Vergewissern Sie sich vor der Montage, dass das Gerät ausgeschaltet ist und der Akku entfernt wurde.

Anbringen und Entfernen der Schutzvorrichtung (Abb. E, F, G)

Das Gerät ist mit einer Schutzvorrichtung ausgestattet, die nur für Schleifarbeiten (Typ 27) vorgesehen ist. Wenn mit dem Gerät Trennarbeiten durchgeführt werden sollen, muss eine entsprechende Schutzvorrichtung (Typ 41) angebracht werden. Geeignete Schutzvorrichtungen mit den Artikelnummern 1004702-44 (für 125mm-Schleifscheiben) erhalten Sie von Ihren BLACK+DECKER Vertragswerkstätten.

- Legen Sie das Gerät mit der Spindel (11) nach oben auf einen Tisch.
- Lösen Sie die Klemme und halten Sie die Schutzvorrichtung gemäß der Abbildung über das Gerät. Siehe Abb. E.
- Richten Sie die Haltevorrichtungen (5a) an den Kerben (10) aus. Siehe Abb. F.
- Drücken Sie die Schutzvorrichtung nach unten, und drehen Sie sie entgegen dem Uhrzeigersinn in die gewünschte Position. Siehe Abb. G.
- Ziehen Sie die Arretierung der Schutzvorrichtung fest, um die Schutzvorrichtung am Werkzeug zu sichern.
- Ziehen Sie ggf. die Schraube an, um die Haltekraft zu erhöhen.

Entfernen

- Lösen Sie die Arretierung der Schutzvorrichtung.
- Drehen Sie die Schutzvorrichtung im Uhrzeigersinn, bis die Haltevorrichtungen (5a) an den Kerben (10) ausgerichtet sind.
- Nehmen Sie die Schutzvorrichtung vom Gerät ab.

Warnung! Verwenden Sie das Gerät nie ohne Schutzvorrichtung.

Anbringen des seitlichen Haltegriffs

- Schrauben Sie den seitlichen Haltegriff (3) in eine der Montageöffnungen des Geräts.

Warnung! Verwenden Sie stets den seitlichen Haltegriff.

Anbringen und Entfernen von Schleifscheiben, Trennscheiben oder Schleifkissen (Abb. H, I, J, K, L)

Verwenden Sie stets die für Ihre Arbeit passende Scheibe. Verwenden Sie stets Scheiben mit korrektem Durchmesser und entsprechender Bohrung (s. technische Daten).

Anbringen

- Bringen Sie die Schutzvorrichtung wie oben beschrieben an.
- Setzen Sie den inneren Flansch (12) auf die Spindel (11) auf. Siehe Abb. H. Vergewissern Sie sich, dass der Flansch ordnungsgemäß auf den flachen Seiten der Spindel sitzt.
- Setzen Sie die Scheibe (6) auf die Spindel (11) auf. Siehe Abb. H. Wenn die Scheibe eine erhöhte Mitte hat, stellen Sie sicher, dass diese zum inneren Flansch zeigt.
- Vergewissern Sie sich, dass die Scheibe ordnungsgemäß auf dem inneren Flansch sitzt.
- Setzen Sie den äußeren Flansch (14) auf die Spindel auf. Bei Schleifscheiben muss der erhöhte Mittelteil am äußeren Flansch zur Scheibe weisen (A in Abb. I). Bei Trennscheiben muss der erhöhte Mittelteil am äußeren Flansch von der Scheibe weg weisen (B in Abb. I).

- Halten Sie die Spindelarretierung (4) gedrückt, und ziehen Sie den äußeren Flansch mithilfe des Stirnlochschlüssels (16) fest (Abb. J).

Entfernen

- Halten Sie die Spindelarretierung (4) gedrückt, und lösen Sie den äußeren Flansch (14) mithilfe des Stirnlochschlüssels (16) (Abb. J).
- Nehmen Sie den äußeren Flansch (14) und die Scheibe (6) ab.

Schleifen von Oberflächen mit Schleifscheiben

- Lassen Sie das Werkzeug auf volle Drehzahl beschleunigen, bevor es die Arbeitsfläche berührt.
- Üben Sie minimalen Druck auf die Arbeitsfläche aus, damit das Werkzeug mit hoher Geschwindigkeit arbeiten kann. Die Schleifgeschwindigkeit ist am größten, wenn das Werkzeug mit hoher Geschwindigkeit arbeitet.
- Halten Sie wie in Abbildung L gezeigt einen Winkel von 20° bis 30° zwischen Gerät und Werkstück ein.
- Bewegen Sie das Werkzeug kontinuierlich vor und zurück, damit sich keine Furchen in der Arbeitsfläche bilden können.
- Heben Sie das Werkzeug von der Oberfläche ab, bevor Sie es ausschalten. Lassen Sie das Gerät zum Stillstand kommen, bevor Sie es ablegen.

Schleifen von Kanten mit Schleifscheiben

Die Verwendung von Scheiben zum Trenn- und Kantenschleifen kann zu Rissen oder Rückschlägen führen, wenn sich diese bei Trenn- bzw. Tiefschleifarbeiten verbiegen oder verdrehen.

Trenn- und Kantenschleifen mit einer Scheibe vom Typ 27 muss auf flaches Schneiden und Kerben von maximal 13 mm Tiefe begrenzt werden, wenn die Scheibe neu ist. Verringern Sie die Tiefe des Schneidens/Kerbens entsprechend der Reduzierung des Scheibenradius, die durch Abnutzung entsteht. Weitere Informationen finden Sie in der Tabelle für Schleif- und Trennzubehör am Ende des Handbuchs. Kantenschleifen/-schneiden mit einer Scheibe vom Typ 41 erfordert die Verwendung einer Schutzvorrichtung vom Typ 41.

- Lassen Sie das Werkzeug auf volle Drehzahl beschleunigen, bevor es die Arbeitsfläche berührt.
- Üben Sie minimalen Druck auf die Arbeitsfläche aus, damit das Werkzeug mit hoher Geschwindigkeit arbeiten kann. Die Schleifgeschwindigkeit ist am größten, wenn das Werkzeug mit hoher Geschwindigkeit arbeitet.
- Stellen Sie sich so, dass die offene Unterseite der Scheibe von Ihnen weg zeigt.
- Wenn Sie einmal mit einem Schnitt begonnen haben und eine Kerbe im Werkstück gebildet worden ist, ändern Sie nicht den Schnittwinkel. Die Änderung des Winkels

bewirkt, dass sich die Scheibe verbiegt und zerbrechen kann. Kantenschleifscheiben sind nicht dazu geschaffen, Seitendrücken zu widerstehen, die durch Verbiegen entstehen können.

- ◆ Heben Sie das Gerät von der Oberfläche ab, bevor Sie es ausschalten. Lassen Sie das Gerät zum Stillstand kommen, bevor Sie es ablegen.

Warnung! Verwenden Sie keine Kantenschleif-/

Schneidscheiben für Flächenschleifanwendungen, wenn das Etikett dieser Scheiben dies nicht erlaubt, da diese Scheiben nicht für Seitendrücke geschaffen sind, die bei Flächenschleifen auftreten. Die Scheiben können zerbrechen und schwere Verletzungen erzeugen.

Anbringen und Entfernen der Schleifscheiben (Abb. K)

Für Schleifarbeiten ist Trägerpapier erforderlich. Sie erhalten dieses Trägerpapier als Zubehör im BLACK+DECKER Fachhandel.

Anbringen

- ◆ Setzen Sie den inneren Flansch (12) auf die Spindel (11) auf. Siehe Abb. K. Vergewissern Sie sich, dass der Flansch ordnungsgemäß auf den flachen Seiten der Spindel sitzt.
- ◆ Setzen Sie das Trägerpapier (18) auf der Spindel auf.
- ◆ Positionieren Sie die Schleifscheibe (19) über dem Trägerpapier.
- ◆ Setzen Sie den äußeren Flansch (14) auf der Spindel auf. Dabei muss der erhöhte Mittelteil von der Scheibe weg weisen.
- ◆ Halten Sie die Spindelarretierung (4) gedrückt, und ziehen Sie den äußeren Flansch mithilfe des Stirnlochschlüssels (16) fest (Abb. J). Vergewissern Sie sich, dass der äußere Flansch ordnungsgemäß sitzt und die Scheibe sorgfältig befestigt ist.

Entfernen

- ◆ Halten Sie die Spindelarretierung (4) gedrückt, und lösen Sie den äußeren Flansch (14) mithilfe des Stirnlochschlüssels (16) (Abb. J).
- ◆ Nehmen Sie den äußeren Flansch (14), die Schleifscheibe (19) und das Trägerpapier (18) ab.

Oberflächenschliff mit Schleifscheiben

- ◆ Lassen Sie das Werkzeug auf volle Drehzahl beschleunigen, bevor es die Arbeitsfläche berührt.
- ◆ Üben Sie minimalen Druck auf die Arbeitsfläche aus, damit das Werkzeug mit hoher Geschwindigkeit arbeiten kann. Die Schleifgeschwindigkeit ist am größten, wenn das Werkzeug mit hoher Geschwindigkeit arbeitet.
- ◆ Halten Sie wie in Abbildung M gezeigt einen Winkel von 5° bis 10° zwischen Gerät und Werkstück ein.

- ◆ Bewegen Sie das Werkzeug kontinuierlich vor und zurück, damit sich keine Furchen in der Arbeitsfläche bilden können.
- ◆ Heben Sie das Werkzeug von der Oberfläche ab, bevor Sie es ausschalten. Lassen Sie das Gerät zum Stillstand kommen, bevor Sie es ablegen.

Verwenden von Trägerpapier

Wählen Sie für Ihre Anwendung immer die richtigen Sandschleifscheiben. Es gibt Schleifscheiben mit verschiedenen Körnungen. Grobe Körnungen haben schnellere Materialentfernungsgeschwindigkeiten und eine rauhere Oberfläche. Feinere Körnungen haben langsamere Materialentfernungsgeschwindigkeiten und eine glattere Oberfläche. Beginnen Sie mit grobkörnigen Scheiben zur schnellen, groben Materialentfernung. Gehen Sie zu mittlerem Schmirgelpapier über, und schließen Sie mit einer feinkörnigen Scheibe zur optimalen Oberflächenbeschaffenheit ab.

- ◆ Grob = Körnung 16-30.
- ◆ Mittel = Körnung 36-80.
- ◆ Feinbearbeitung = Körnung 100 - 120.
- ◆ Feinstbearbeitung = Körnung 150 - 180.
- ◆ Lassen Sie das Gerät auf volle Drehzahl beschleunigen, bevor die Maschine in Kontakt mit dem Werkstück gelangt.
- ◆ Üben Sie minimalen Druck auf die Arbeitsfläche aus, damit das Werkzeug mit hoher Geschwindigkeit arbeiten kann. Die Schleifgeschwindigkeit ist am größten, wenn das Werkzeug mit hoher Geschwindigkeit arbeitet.
- ◆ Halten Sie wie in Abbildung N gezeigt einen Winkel von 5° bis 10° zwischen Gerät und Werkstück ein. Die Schleifscheibe sollte etwa 25mm der Arbeitsfläche berühren.
- ◆ Bewegen Sie das Werkzeug ständig geradlinig, um ein Brennen und Wirbeln der Arbeitsfläche zu vermeiden. Wenn Sie das Werkzeug auf der Arbeitsfläche unbeweglich ruhen lassen oder es kreisförmig bewegen, werden Brand- und Wirbelmarkierungen auf der Arbeitsfläche erzeugt.
- ◆ Heben Sie das Werkzeug von der Oberfläche ab, bevor Sie es ausschalten. Lassen Sie das Gerät zum Stillstand kommen, bevor Sie es ablegen.

Vorsichtsmaßnahmen beim Schleifen von Farbe

- ◆ Das Abschleifen von Farben auf Bleibasis wird **NICHT EMPFOHLEN**, da der entstehende kontaminierte Staub kaum kontrollierbar ist. Die größte Gefahr einer Bleivergiftung besteht für Kinder und Schwangere.
- ◆ Da es ohne chemische Analyse nur schwer feststellbar ist, ob eine Farbe Blei enthält, empfehlen wir beim Abschleifen aller Farben folgende Vorsichtsmaßnahmen:

- ◆ Kinder und Schwangere dürfen den Arbeitsplatz erst wieder betreten, wenn das Abschleifen der Farbe beendet wurde und der gesamte Arbeitsbereich gesäubert wurde.
- ◆ Alle Personen, die den Arbeitsplatz betreten, müssen eine spezielle Maske zum Schutz vor Bleifarbstaub und -dämpfen tragen. Der Filter muss täglich ausgetauscht werden, oder sobald der Träger Atemprobleme bemerkt.

Hinweis: Es sollten nur solche Staubmasken benutzt werden, die für Arbeiten mit Bleifarbestaub und -dämpfe geeignet sind. Gewöhnliche Farbmasken bieten diesen Schutz nicht. Besorgen Sie sich von Ihrem örtlichen Händler die geeignete Maske.

- ◆ Im Arbeitsbereich sind ESSEN, TRINKEN und RAUCHEN verboten, um die Aufnahme kontaminierter Farbteilchen zu vermeiden. Personen müssen sich waschen und säubern, BEVOR sie essen, trinken oder rauchen. Lebensmittel, Getränke und Zigaretten etc. dürfen nicht an Stellen im Arbeitsbereich aufbewahrt werden, wo sich Staub auf ihnen ablagern könnte.
- ◆ Farbe muss so entfernt werden, dass dabei möglichst wenig Staub erzeugt wird.
- ◆ Bereiche, in denen Farbe entfernt wird, müssen mit Plastikplanen von 4 mils (0,1 mm) Dicke abgetrennt werden.
- ◆ Das Schleifen muss so erfolgen, dass möglichst wenig Farbstaub außerhalb des Arbeitsbereichs gelangt.
- ◆ Alle Oberflächen im Arbeitsbereich müssen täglich abgesaugt und gründlich gesäubert werden, solange Schleifarbeiten durchgeführt werden. Die Staubsaugerfilter müssen häufig gewechselt werden.
- ◆ Plastikplanen zum Auffangen von Staub, Spänen und anderen Rückständen müssen aufgenommen und entsorgt werden. Die Planen müssen in dichten Abfallbehältern aufbewahrt und zusammen mit der regelmäßigen Abfallentsorgung abgeholt werden. Kinder und Schwangere sind während der Reinigungsarbeiten aus dem unmittelbaren Arbeitsbereich fernzuhalten.
- ◆ Alle Spielsachen, waschbare Möbel und andere Gegenstände, die von Kindern benutzt werden, müssen vor der Wiederverwendung gründlich gereinigt werden.

Anbringen und Anwendung von Drahtbürsten oder Drahrundbürsten

Topfdrahtbürsten oder Drahrundbürsten werden ohne Anwendung von Flanschen direkt auf die Spindel geschraubt. Wenn Drahtbürsten oder Drahrundbürsten benutzt werden, ist eine Schutzvorrichtung vom Typ 27 erforderlich. Tragen Sie Arbeitshandschuhe, wenn Sie mit Drahtbürsten oder Drahrundbürsten umgehen.

Sie können scharf werden. Rundbürsten oder Bürsten dürfen die Schutzvorrichtung während der Montage oder des Betriebs nicht berühren.

Am Zubehör kann ein nicht sichtbarer Schaden auftreten, durch den Drähte von der Scheibe oder vom Topf abbrechen können.

- ◆ Schrauben Sie die Scheibe mit der Hand auf die Spindel.
- ◆ Drücken Sie den Spindelarretierungsknopf und schrauben Sie die Scheibe mit einem Schraubenschlüssel an der Nabe der Drahrundbürste oder der Drahtbürste fest.
- ◆ Führen Sie zum Entfernen der Scheibe die obigen Anweisungen in umgekehrter Reihenfolge aus.

Warnung! Wenn die Scheibennabe nicht richtig sitzt, bevor das Werkzeug angeschaltet wird, kann es zu einer Beschädigung von Werkzeug oder Scheibe kommen. Drahrundbürsten und Topfdrahtbürsten können zum Entfernen von Rost, Kesselstein und Farbe und zum Glätten unregelmäßiger Flächen benutzt werden.

Hinweis: Beim Bürsten von Farben sollten die gleichen Vorsichtsmaßnahmen wie beim Schleifen von Farben getroffen werden.

- ◆ Lassen Sie das Werkzeug auf volle Drehzahl beschleunigen, bevor es die Arbeitsfläche berührt.
- ◆ Üben Sie minimalen Druck auf die Arbeitsfläche aus, damit das Werkzeug mit hoher Geschwindigkeit arbeiten kann. Die Materialentfernungsgeschwindigkeit ist am größten, wenn das Werkzeug mit hoher Geschwindigkeit arbeitet.
- ◆ Halten Sie beim Gebrauch von Drahtbürsten wie in Abbildung O gezeigt einen Winkel von 5° bis 10° zwischen Gerät und Werkstück.
- ◆ Halten Sie bei Drahrundbürsten Kontakt zwischen dem Rand der Scheibe und der Arbeitsfläche bei.
- ◆ Bewegen Sie das Werkzeug kontinuierlich vor und zurück, damit sich keine Furchen in der Arbeitsfläche bilden können. Wenn Sie das Werkzeug auf der Arbeitsfläche unbeweglich ruhen lassen oder es kreisförmig bewegen, werden Brand- und Wirbelmarkierungen auf der Arbeitsfläche erzeugt.
- ◆ Heben Sie das Gerät von der Oberfläche ab, bevor Sie es ausschalten. Lassen Sie das Gerät zum Stillstand kommen, bevor Sie es ablegen.

Warnung! Seien Sie besonders vorsichtig, wenn Sie über einer Kante arbeiten, da mit einer plötzlichen scharfen Bewegung der Schleifmaschine zu rechnen ist.

Anbringen und Anwendung von Trennscheiben (Typ 41)

Schneidscheiben bestehen aus Diamantscheiben und Schleifscheiben. Es gibt Schneidscheiben für Metall und Beton. Es können auch Diamantklingen für das Schneiden von Beton benutzt werden.

HINWEIS: Es ist eine geschlossene, zweiseitige Schneidscheibenschutzvorrichtung vom Typ 41 erforderlich (separat erhältlich), wenn Schneidscheiben benutzt werden. Wenn nicht der richtige Flansch oder die richtige Schutzvorrichtung benutzt wird, kann es durch den Bruch oder die Berührung der Scheibe zu Verletzungen kommen. Für Schneidscheiben müssen ein Aufnahmeflansch und eine Spannmutter mit Gewinde und passendem Durchmesser (dem Werkzeug beigelegt) benutzt werden.

Anbringen von Trennscheiben

- ◆ Legen Sie den Aufnahmeflansch ohne Gewinde auf die Spindel, wobei der angehobene Abschnitt (Führung) nach oben zeigt. Der angehobene Abschnitt (Führung) am Aufnahmeflansch liegt auf der Scheibe, wenn die Scheibe angebracht ist.
- ◆ Legen Sie die Scheibe auf den Aufnahmeflansch und zentrieren die Scheibe auf dem angehobenen Abschnitt (Führung).
- ◆ Bringen Sie die Gewindespannmutter an, wobei der angehobene Abschnitt (Führung) von der Scheibe weg zeigt.
- ◆ Drücken Sie den Spindelarretierungsknopf und ziehen die Spannmutter mit dem mitgelieferten Schraubenschlüssel (16) fest.
- ◆ Um die Scheibe zu entfernen, drücken Sie den Spindelarretierungsknopf und lösen die Gewindespannmutter mit dem mitgelieferten Schraubenschlüssel.

Warnung! Verwenden Sie keine Kantenschleif-/ Schneidscheiben für Flächenschleifanwendungen, weil diese Scheiben nicht für Seitendrucke geschaffen sind, die bei Flächenschleifen auftreten. Die Scheibe kann zerbrechen und schwere Verletzungen erzeugen.

- ◆ Lassen Sie das Werkzeug auf volle Drehzahl beschleunigen, bevor es die Arbeitsfläche berührt.
- ◆ Üben Sie minimalen Druck auf die Arbeitsfläche aus, damit das Werkzeug mit hoher Geschwindigkeit arbeiten kann. Die Schleifgeschwindigkeit ist am größten, wenn das Werkzeug mit hoher Geschwindigkeit arbeitet.
- ◆ Wenn Sie einmal mit einem Schnitt begonnen haben und eine Kerbe im Werkstück gebildet worden ist, ändern Sie nicht den Schnittwinkel. Die Änderung des Winkels bewirkt, dass sich die Scheibe verbiegt und zerbrechen kann.
- ◆ Heben Sie das Werkzeug von der Oberfläche ab, bevor Sie es ausschalten. Lassen Sie das Gerät zum Stillstand bekommen, bevor Sie es ablegen.

Verwendung

Warnung! Beschleunigen Sie den Arbeitsvorgang nicht mit Gewalt. Vermeiden Sie eine Überlastung.

- ◆ Rechnen Sie mit Funkenflug, wenn die Schleif- oder Trennscheibe das Werkstück berührt.
- ◆ Richten Sie das Gerät stets so aus, dass die Schutzvorrichtung optimalen Schutz vor der Schleif- oder Trennscheibe bietet.

Ein- und Ausschalten

- ◆ Zum Einschalten des Werkzeugs schieben Sie die Betriebssperre (2) nach vorn.
- ◆ Zum Ausschalten des Werkzeugs schieben Sie die Betriebssperre (2) nach hinten.

Warnung! Schalten Sie das Gerät nicht unter Last aus.
Warnung! Aktivieren Sie immer die Sicherung, wenn das Gerät nicht gebraucht wird.

Hinweise für optimale Arbeitsergebnisse

- ◆ Halten Sie das Gerät mit einer Hand am seitlichen Haltegriff und mit der anderen Hand am Hauptgriff sorgfältig fest.
- ◆ Achten Sie beim Schleifen stets auf einen Winkel von 20° bis 30° zwischen der Scheibe und der Oberfläche des Werkstücks.





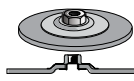





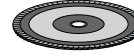

Wartung

Ihr BLACK+DECKER Gerät (mit und ohne Netzkabel) wurde im Hinblick auf eine lange Lebensdauer und einen möglichst geringen Wartungsaufwand entwickelt. Ein kontinuierlicher, zufriedenstellender Betrieb hängt von der richtigen Pflege des Gerätes und seiner regelmäßigen Reinigung ab.

Warnung! Vor dem Ausführen jeglicher Wartungsarbeiten an Geräten mit und ohne Netzkabel:

- ◆ Schalten Sie das Gerät aus, und ziehen Sie den Netzstecker.
- ◆ Wenn das Gerät über einen separaten Batteriepack oder Akku verfügt, schalten Sie das Gerät ab, und entnehmen Sie die Batterien aus dem Gerät.
- ◆ Wenn der Akku integriert ist, entladen Sie diesen vor dem Abschalten vollständig.
- ◆ Ziehen Sie das Ladegerät aus der Netzsteckdose, bevor Sie es reinigen. Das Ladegerät benötigt keine Wartung, es sollte jedoch regelmäßig gereinigt werden.
- ◆ Reinigen Sie regelmäßig die Lüftungsschlitze des Geräts und des Ladegeräts mit einer weichen Bürste oder einem trockenen Tuch.
- ◆ Reinigen Sie das Motorgehäuse regelmäßig mit einem feuchten Tuch. Verwenden Sie keine scheuernden Reinigungsmittel oder Reinigungsmittel auf Lösungsmittelbasis.

Tabelle für Schleif- und Trennzubehör

Schleifscheiben	
 Typ 27 Schutzvorrichtung	 Typ 27 Schutzvorrichtung
 Aufnahmeflansch ohne Gewinde	
 Typ 27 gekröpfte Scheibe	 Typ 27 abgesetzte Scheibe
 Gewindespannmutter	
Lamellenschleifscheiben	
 Typ 27 Schutzvorrichtung	 Typ 27 Schutzvorrichtung
	 Aufnahmeflansch ohne Gewinde
 Abgesetzte Lamellenschleifscheibe	 Nicht-abgesetzte Lamellenschleifscheibe
	 Gewindespannmutter

Typ 41 Schneidscheiben	
 Typ 41 Schutzvorrichtung	 Typ 41 Schutzvorrichtung
 Trägerflansch	 Trägerflansch
 Schleifscheibe	 Diamant-Trennscheibe
 Spannmutter	 Spannmutter
Drahtscheiben	
 Typ 27 Schutzvorrichtung	 Typ 27 Schutzvorrichtung
 3-Zoll-Drahtbürste	 4-Zoll-Drahtbürste
Schleifscheiben	
	 Gummi-Schleifteller
	 Schleifscheibe
	 Gewindespannmutter

Umweltschutz



Getrennte Entsorgung. Produkte und Akkus mit diesem Symbol dürfen nicht mit dem normalen Hausmüll entsorgt werden.

Produkte und Akkus enthalten Materialien, die wiederverwertet werden können, um den Bedarf an Rohstoffen zu verringern. Bitte recyceln Sie elektrische Produkte und Akkus gemäß den örtlichen Bestimmungen. Weitere Informationen finden Sie auf www.2helpU.com

Technische Daten

		BCG720 M1	BCG720 N
Eingangsspannung	V _{DC}	18	18
Nendrehzahl (Leerlauf)	min ⁻¹	8600	8600
Scheibenbohrung	mm	22	22
Max. Scheibenstärke			
Schleifscheiben	mm	6	6
Trennscheiben	mm	3,5	3,5
Spindelgröße		M14	M14
Gewicht	kg	2,1 minus Akku und Scheibe	2,1 minus Akku und Scheibe
Akku		BL4018	Gerät (nicht enthalten)
Spannung	V _{DC}	18	
Kapazität	Ah	4,0	
Typ		Li-Ionen	
Ladegerät		9059995*	Gerät (nicht enthalten)
Eingangsspannung	V _{AC}	230	
Ausgangsspannung	V _{DC}	18	
Stromstärke	A	1,0	
Ungefähre Ladezeit	Stunden	4	

Schalldruckpegel gemäß EN 60745:	
Schalldruck (L _{pk})	76dB(A), Unsicherheitsfaktor (K) 4dB(A)
Schalleistung (L _{wa})	87dB(A), Unsicherheitsfaktor (K) 4dB(A)
Gesamtvibration (Triax-Vektorsumme) gemäß EN 60745:	
Schleifen von Oberflächen (a _{h,sc})	7,3m/s ² , K=1,5m/s ² .
Tellerschleifen (a _{h,ts})	1,9m/s ² , K=1,5m/s ² .
Polieren (a _{h,p})	8,6m/s ² , K=2,4m/s ² .
Drahtbürsten (a _{h,wb})	3,8m/s ² , K=1,5m/s ² .
Trennschleifen (a _{h,co})	4,0m/s ² , K=1,5m/s ² .

EU-Konformitätserklärung
MASCHINENRICHTLINIE

BCG720 Winkelschleifer Black & Decker erklärt, dass die in den technischen Daten beschriebenen Geräte übereinstimmen mit:

2006/42/EC, EN 60745-1:2009+A11:2010;
EN 60745-2-3:2011+A2:2013+A11:2014
+A12:2014+A13:2015

Diese Produkte entsprechen außerdem den Richtlinien 2014/30/EU und 2011/65/EU.

Weitere Informationen erhalten Sie von Black & Decker unter der folgenden Adresse. Diese befindet sich auch auf der Rückseite dieser Anleitung.

Der Unterzeichnete ist verantwortlich für die Zusammenstellung der technischen Daten und gibt diese Erklärung im Namen von Black & Decker ab.

R. Laverick
Director of Engineering
Black & Decker Europe, 210 Bath Road, Slough,
Berkshire, SL1 3YD
United Kingdom
10/01/2018

Garantie

Black & Decker vertraut auf die Qualität der eigenen Geräte und bietet dem Käufer eine außergewöhnliche Garantie von 24 Monaten ab Kaufdatum. Diese Garantie versteht sich unbeschadet der gesetzlichen Gewährleistungsansprüche und schränkt diese keinesfalls ein. Diese Garantie gilt innerhalb der Staatsgebiete der Mitgliedstaaten der Europäischen Union und der Europäischen Freihandelszone.

Zur Inanspruchnahme dieser Garantie muss sie den allgemeinen Geschäftsbedingungen von Black & Decker entsprechen und dem Verkäufer bzw. der Vertragswerkstatt ist ein Kaufnachweis vorzulegen. Die Bedingungen für die 2-jährige Garantie von Black & Decker und den Standort Ihrer nächstgelegenen Vertragswerkstatt finden Sie im Internet unter www.2helpU.com oder indem Sie sich an die lokale Black & Decker-Niederlassung wenden, deren Adresse Sie in dieser Anleitung finden.

Ihr neues Black & Decker Produkt können Sie auf unserer Website unter www.blackanddecker.de registrieren. Dort erhalten Sie auch Informationen über neue Produkte und Sonderangebote.

Utilisation prévue

Votre meuleuse d'angle BLACK+DECKER BCG720 M1, BCG720 N a été conçue pour meuler et couper le métal et les matériaux de maçonnerie à l'aide du disque à tronçonner ou à meuler et du carter appropriés. Cet outil est destiné à un usage grand public uniquement.

Consignes de sécurité

Avertissements de sécurité générale liés aux outils électriques



Avertissement ! Lisez tous les avertissements de sécurité et toutes les instructions. Le non-respect des avertissements et des instructions listés ci-dessous peut entraîner des chocs électriques, des incendies et/ou de graves blessures.

Conservez tous les avertissements et toutes les instructions afin de pouvoir vous y référer dans le futur.

Le terme "outil électrique" mentionné dans tous les avertissements listés ci-dessous fait référence à vos outils électriques branchés sur secteur (avec câble) ou fonctionnant sur pile ou batterie (sans fil).

1. Sécurité de la zone de travail

- Maintenez la zone de travail propre et bien éclairée.** Les zones sombres ou encombrées sont propices aux accidents.
- N'utilisez pas d'outils électriques dans un environnement présentant des risques d'explosion ou en présence de liquides, gaz ou poussières inflammables.** Les outils électriques créent des étincelles qui peuvent enflammer les poussières et les fumées.
- Maintenez les enfants et les autres personnes éloignés lorsque les outils électriques sont en marche.** Toute distraction peut vous faire perdre le contrôle de l'outil.

2. Sécurité électrique

- Les prises des outils électriques doivent correspondre à la prise de courant murale. Ne modifiez jamais la prise d'aucune sorte. N'utilisez aucun adaptateur avec des outils électriques reliés à la terre.** L'utilisation de prises d'origine et de prises murales appropriées permet de réduire le risque de choc électrique.
- Évitez tout contact physique avec des surfaces reliées à la terre comme des tuyaux, des radiateurs, des fours et des réfrigérateurs par exemple.** Le risque de choc électrique augmente lorsque votre corps est relié à la terre.

- N'exposez pas les outils électriques à la pluie, ni à l'humidité.** Le risque de choc électrique augmente si de l'eau pénètre dans un outil électrique.
- Ne tirez pas sur le cordon d'alimentation. N'utilisez jamais le cordon pour transporter, tirer ou débrancher l'outil électrique. Maintenez le cordon éloigné de la chaleur, de substances grasses, de bords tranchants ou de pièces mobiles.** Les cordons endommagés ou emmêlés augmentent le risque de choc électrique.
- Si vous utilisez un outil électrique à l'extérieur, utilisez une rallonge homologuée pour les travaux extérieurs.** L'utilisation d'une rallonge électrique homologuée pour les travaux en extérieur réduit le risque de choc électrique.
- Si l'utilisation d'un outil électrique dans un endroit humide est inévitable, utilisez une alimentation électrique protégée par un disjoncteur différentiel à courant résiduel.** L'utilisation d'un disjoncteur différentiel réduit le risque de choc électrique.

3. Sécurité des personnes

- Restez vigilant, surveillez ce que vous faites et faites preuve de bon sens lorsque vous utilisez un outil électrique. N'utilisez pas d'outils électriques si vous êtes fatigué ou sous l'influence de drogue, d'alcool ou de médicaments.** Tout moment d'inattention pendant l'utilisation d'un outil électrique peut engendrer de graves blessures.
- Portez des équipements de protection individuelle. Portez toujours une protection oculaire.** Les équipements de protection comme les masques à poussière, les chaussures de sécurité antidérapantes, les casques ou les protections auditives, utilisés à bon escient, réduisent le risque de blessures.
- Empêchez tout démarrage intempestif. Assurez-vous que l'interrupteur est en position Arrêt avant de raccorder l'outil à l'alimentation électrique et/ou au bloc-batterie ou avant de ramasser ou de transporter l'outil.** Le fait de transporter les outils électriques le doigt sur l'interrupteur ou d'alimenter les outils électriques dont l'interrupteur est déjà en position de marche augmente le risque d'accidents.
- Retirez toutes les clés ou pinces de réglage avant de mettre l'outil en marche.** Une clé ou une pince restée fixée sur une pièce rotative de l'outil électrique peut engendrer des blessures.
- Ne vous penchez pas. Gardez les pieds bien ancrés au sol et conservez votre équilibre en permanence.** Cela permet de mieux maîtriser l'outil électrique en cas de situations imprévues.
- Portez des vêtements appropriés. Ne portez aucun vêtement ample ou bijou. Gardez vos cheveux, vos vêtements et vos gants éloignés des pièces mobiles.**

Les vêtements amples, les bijoux ou les cheveux longs peuvent être happés par les pièces mobiles.

- g. **Si des dispositifs pour le raccordement d'un extracteur de poussières ou des installations pour la récupération sont présents, assurez-vous qu'ils sont correctement raccordés et utilisés.** L'utilisation de dispositifs récupérateurs de poussières réduit les risques liés aux poussières.
 - h. **Ne pensez pas être si familiarisé avec l'outil après l'avoir utilisé à de nombreuses reprises, au point de ne plus rester vigilant et d'en oublier les consignes de sécurité.** Toute action imprudente peut engendrer de graves blessures en une fraction de seconde.
4. **Utilisation et entretien des outils électriques**
- a. **Respectez la capacité de l'outil. Utilisez l'outil approprié en fonction du travail à réaliser.** Un outil adapté fonctionne mieux, de façon plus sûre et à la cadence pour laquelle il a été conçu.
 - b. **N'utilisez pas l'outil électrique si son interrupteur ne permet pas de l'allumer ou de l'éteindre.** Tout outil électrique qui ne peut plus être commandé par son interrupteur est dangereux et doit être réparé.
 - c. **Débranchez la prise du secteur et/ou retirez le bloc-batterie de l'outil électrique avant d'effectuer tout réglage, de changer un accessoire ou de ranger l'outil électrique.** Ces mesures de sécurité préventives réduisent le risque de démarrage accidentel de l'outil électrique.
 - d. **Rangez les outils électriques non utilisés hors de portée des enfants et ne laissez aucune personne ne connaissant pas ces outils ou leurs instructions d'utilisation les faire fonctionner.** Les outils électriques peuvent être dangereux entre des mains inexpérimentées.
 - e. **Entretenez vos outils électriques. Vérifiez que les pièces mobiles sont alignées correctement et qu'elles ne sont pas coincées. Vérifiez qu'aucune pièce n'est cassée et contrôlez l'absence de toute autre condition qui pourrait nuire au bon fonctionnement de l'outil. En cas de dommage, faites réparer l'outil électrique avant de l'utiliser.** De nombreux accidents sont provoqués par des outils électriques mal entretenus.
 - f. **Maintenez les organes de coupe affûtés et propres.** Des organes de coupe bien entretenus et affûtés sont moins susceptibles de rester coincés et sont plus faciles à contrôler.
 - g. **Utilisez l'outil électrique, les accessoires et les embouts d'outils conformément à ces instructions, en tenant compte des conditions de travail, ainsi que du travail à effectuer.** L'utilisation d'un outil électrique à des fins autres que celles pour lesquelles il a été prévu engendre des situations dangereuses.

h. **Veillez à ce que les poignées et les surfaces de préhension soient sèches et propres, sans trace d'huile ou de graisse.** Des poignées glissantes et des surfaces grasses ne permettent pas de manipuler ou de contrôler l'outil de façon sûre en cas de situation inattendue.

5. Utilisation et entretien de la batterie de l'outil

- a. **N'effectuez la recharge qu'à l'aide du chargeur spécifié par le fabricant.** Un chargeur adapté pour un type de bloc-batterie peut engendrer un risque d'incendie s'il est utilisé avec un bloc-batterie différent.
- b. **N'utilisez les outils électriques qu'avec les blocs-batteries qui leurs sont dédiés.** L'utilisation d'un autre bloc-batterie peut engendrer des blessures et un incendie.
- c. **Lorsque le bloc-batterie n'est pas utilisé, gardez-le à l'écart des objets métalliques tels que trombones, pièces de monnaie, clés, clous, vis ou autres petits objets susceptibles de créer un contact entre les deux bornes.** La mise en court-circuit des bornes d'une batterie peut provoquer des brûlures ou un incendie.
- d. **En cas d'utilisation abusive, du liquide peut être éjecté de la batterie. Évitez tout contact avec ce liquide. En cas de contact accidentel, rincez à l'eau. En cas de contact avec les yeux, consultez en plus un médecin.** Le liquide projeté de la batterie peut provoquer des irritations ou des brûlures.
- e. **N'utilisez pas un bloc-batterie ou un outil endommagé ou modifié.** Une batterie endommagée ou altérée peut avoir un comportement imprévisible qui peut conduire à un incendie, une explosion ou un risque de blessure.
- f. **N'exposez pas le bloc-batterie ou l'outil au feu ou à des températures excessives.** L'exposition au feu ou à des températures dépassant 130 °C peut provoquer une explosion.
- g. **Respectez les instructions de charge et ne rechargez pas le bloc-batterie ou l'outil à une plage de températures hors de celle spécifiée dans les instructions. Une charge mal effectuée ou à des températures hors de la plage spécifiée peut endommager la batterie et augmenter le risque d'incendie.**

6. Révision/Réparation

- a. **Faites réparer votre outil électrique par une personne qualifiée, n'utilisant que des pièces de rechange d'origine.** Cela permet de garantir la sûreté de l'outil électrique.
- b. **Ne réparez jamais des blocs-batteries endommagés.** Les réparations sur les blocs-batteries ne doivent être effectuées que le fabricant ou l'un de ses prestataires de services agréés.

Consignes de sécurité supplémentaires liées aux outils électriques



Avertissement ! Avertissements de sécurité supplémentaires communs pour les opérations de meulage, ponçage, brossage métallique, polissage ou tronçonnage abrasif :

- ◆ **Cet outil électrique peut être utilisé comme meuleuse, ponceuse, brosse métallique, polisseuse ou outil de tronçonnage. Veuillez lire tous les avertissements de sécurité, toutes les instructions, toutes les illustrations et toutes les spécifications fournies avec cet outil électrique.** Le non-respect des instructions listées ci-dessous peut conduire à des chocs électriques, des incendies et/ou de graves blessures.
- ◆ **Les opérations pour lesquelles l'outil électrique n'a pas été conçu peuvent engendrer des risques et conduire à des blessures.**
- ◆ **N'utilisez que les accessoires spécifiquement conçus et recommandés par le fabricant de l'outil.** Le fait que l'accessoire puisse être fixé à votre outil électrique ne veut pas forcément dire que son utilisation est sans risque.
- ◆ **La vitesse nominale des accessoires doit être au moins équivalente à la vitesse maximum indiquée sur l'outil électrique.** Les accessoires qui fonctionnent plus vite que leur vitesse nominale peuvent rompre et voler en éclats.
- ◆ **Le diamètre extérieur et l'épaisseur de votre accessoire doivent correspondre à la capacité nominale de votre outil électrique.** Des accessoires mal dimensionnés ne peuvent pas être correctement protégés et contrôlés.
- ◆ **La fixation filetée des accessoires doit correspondre au filetage de l'axe de la meuleuse. Pour les accessoires montés avec des brides, l'alésage de l'accessoire doit correspondre au diamètre de positionnement de la bride.** Les accessoires qui ne correspondent pas aux éléments de fixation de l'outil électrique tournent de façon déséquilibrée, ils vibrent de façon excessive et peuvent provoquer la perte de contrôle de l'outil.
- ◆ **N'utilisez aucun accessoire endommagé. Avant toute utilisation, contrôlez sur tous les accessoires comme les disques abrasifs par exemple, l'absence d'ébréchures ou de fissures, l'absence de fissures ou d'usure excessive sur les patins-supports ou l'absence de fibres détachées ou cassées sur les brosses métalliques. Si l'outil électrique ou l'accessoire chutent, vérifiez l'absence de dommages ou installez un accessoire en bon état. Après avoir inspecté et installé un accessoire, faites fonctionner l'outil à sa vitesse à vide maximale pendant une**

minute. Les disques endommagés se brisent généralement au cours de cette durée de test.

- ◆ **Portez des équipements de protection individuelle. En fonction de l'intervention, utilisez un écran facial ou des lunettes de sécurité. Le cas échéant, portez un masque anti-poussière, des protections auditives, des gants et un tablier d'atelier capables de stopper tout fragment d'abrasif ou provenant de l'ouvrage.** La protection oculaire doit être capable d'arrêter les débris générés par les diverses opérations. Le masque anti-poussière ou le masque filtrant doit pouvoir filtrer les particules produites au cours de l'opération. Les expositions prolongées à un niveau de bruit élevé peuvent provoquer une perte de l'acuité auditive.
- ◆ **Maintenez tous les spectateurs à une distance sûre de la zone d'intervention. Toute personne qui pénètre dans la zone de travail doit porter des équipements de protection individuelle.** Des débris provenant de l'ouvrage ou d'un accessoire brisé peuvent être éjectés et provoquer des blessures au-delà de la zone de travail immédiate.
- ◆ **Ne tenez l'outil électrique que par ses surfaces de préhension isolées lorsque vous intervenez là où l'organe de coupe peut entrer en contact avec des fils cachés ou son propre cordon.** Tout accessoire de coupe touchant un fil sous tension met les parties métalliques exposées de l'outil sous tension et électrocute l'utilisateur.
- ◆ **Utilisez des pinces ou tout autre moyen pratique pour fixer et soutenir l'ouvrage sur une plateforme stable.** Tenir l'ouvrage à la main ou contre votre corps le rend instable et peut conduire à une perte de contrôle.
- ◆ **Maintenez le cordon électrique loin de l'accessoire en rotation.** En cas de perte de contrôle, le cordon peut être sectionné ou abîmé, et vos bras ou mains peuvent entrer en contact avec l'accessoire en rotation.
- ◆ **Ne reposez jamais l'outil électrique avant que l'accessoire ne soit complètement arrêté.** L'accessoire en rotation pourrait sinon accrocher la surface et vous faire perdre le contrôle de l'outil.
- ◆ **Ne faites pas fonctionner l'outil électrique en le tenant contre votre flan.** Un contact accidentel avec l'accessoire en rotation pourrait accrocher vos vêtements, et attirer l'accessoire vers votre corps.
- ◆ **Nettoyez régulièrement les orifices d'aération de l'outil électrique.** Le ventilateur du moteur attire la poussière à l'intérieur du boîtier et une accumulation excessive de poussières métalliques peut conduire à un risque électrique.
- ◆ **Ne faites pas fonctionner l'outil électrique à proximité de matières inflammables.** Des étincelles pourraient enflammer ces matières.
- ◆ **N'utilisez pas d'accessoires nécessitant l'utilisation de fluides de refroidissement.** L'utilisation d'eau ou de

tout autre fluide de refroidissement peut provoquer une électrocution ou un choc électrique.

Remarque : L'avertissement ci-dessus ne s'applique pas aux outils électriques spécialement conçus pour être utilisés avec un système liquide.

Rebond et avertissements liés

Les rebonds sont la conséquence du pincement ou du grippage d'un disque, d'un porte-patin, d'une brosse ou de tout autre accessoire en rotation. Le pincement ou le grippage provoque le blocage rapide de l'accessoire en rotation entraînant alors l'outil électrique non contrôlé dans la direction opposée au sens de rotation de l'accessoire au niveau du point de grippage.

Par exemple, si un disque abrasif reste grippé ou pincé dans l'ouvrage, le bord du disque engagé au point de grippage peut creuser la surface du matériau et provoquer le soulèvement ou le rebond du disque. Le disque peut être projeté vers l'utilisateur ou à l'opposé, selon le sens du mouvement du disque au point de pincement.

Dans ces conditions, il peut aussi arriver que les disques abrasifs se brisent.

Les rebonds proviennent d'une utilisation inappropriée de l'outil électrique et/ou de conditions ou de procédures d'exécution incorrectes et ils peuvent être évités en prenant les précautions adéquates énoncées ci-dessous.

- ◆ **Maintenez fermement l'outil électrique en plaçant votre corps et votre bras de manière à pouvoir résister à la force d'un rebond. Utilisez toujours la poignée auxiliaire, si elle existe, pour un contrôle maximal de l'outil en cas de rebond ou de retour de couple au démarrage.** L'utilisateur peut contrôler les retours de couple ou la force des rebonds si des précautions adéquates sont prises.
- ◆ **Ne placez jamais votre main près de l'accessoire en rotation.** L'accessoire pourrait rebondir sur vos mains.
- ◆ **Ne placez pas votre corps dans la zone où l'outil pourrait se déplacer en cas de rebond.** Un rebond propulse l'outil dans la direction opposée au mouvement du disque au niveau du point de grippage.
- ◆ **Prenez les précautions nécessaires dans les coins, sur les arêtes, etc. Évitez de faire tressauter ou de faire accrocher l'accessoire.** Les coins, bords acérés ou les rebondissements ont tendance à retenir l'accessoire en rotation et à provoquer la perte de contrôle de l'outil ou des rebonds.
- ◆ **N'installez pas de lame à sculpter le bois ou de lame dentée.** Ces lames provoquent de fréquents rebonds ou perte de contrôle.

Consignes de sécurité pour les opérations de ponçage et de coupe abrasive

- ◆ **N'utilisez que les types de disque recommandés pour votre outil électrique et la protection spécifiquement conçue pour le disque sélectionné.** Les disques non conçus pour l'outil électrique ne peuvent pas être correctement protégés et ils sont dangereux.
- ◆ **La surface de meulage des disques enfoncés au centre doit être fixée sous le plat de la lèvre de protection.** Un disque mal monté qui dépasse du plat de la lèvre de protection ne peut pas être correctement protégé.
- ◆ **Le carter de protection doit être fermement fixé à l'outil et positionné de la manière la plus sûre possible et en minimisant l'exposition du disque dans la direction de l'opérateur.** Le carter doit protéger l'utilisateur contre les fragments de disque cassés, le contact accidentel et des étincelles qui pourraient enflammer les vêtements.
- ◆ **Les disques ne doivent être utilisés que pour les applications recommandées. Ne meulez par exemple pas avec le côté d'un disque à tronçonner.** Les disques à tronçonner abrasifs sont prévus pour le meulage périphérique, toute force latérale appliquée sur ces disques peut les faire voler en éclats.
- ◆ **Utilisez toujours des brides de disque en bon état, ayant la dimension et la forme appropriées au disque choisi.** Les brides de disque servent de support aux disques, réduisant ainsi les possibilités de rupture. Les brides de disques à tronçonner peuvent différer des brides de disques à meuler.
- ◆ **N'utilisez pas les disques usés provenant de plus gros outils.** Les disques conçus pour des outils électriques plus gros ne sont pas adaptés pour les vitesses plus rapides des outils plus petits, et ils peuvent voler en éclats.

Avertissements de sécurité supplémentaires spécifiques aux opérations de tronçonnage abrasif

- ◆ **Ne bloquez pas les disques à tronçonner et n'exercez pas une trop forte pression dessus. Ne tentez pas de réaliser des découpes de trop grandes profondeurs.** Une pression excessive sur le disque augmente la charge imposée à l'outil et les possibilités de torsion ou de grippage du disque dans la coupe et par conséquent les risques de rebonds ou de ruptures.
- ◆ **Ne placez pas votre corps dans l'alignement ou derrière le disque en rotation.** Lorsque le disque, au point d'exécution, s'éloigne de votre corps, le rebond possible peut le propulser avec l'outil électrique directement vers vous.
- ◆ **Quand le disque se coince ou quand la coupe est interrompue pour une raison quelconque, mettez**

l'outil hors tension et maintenez-le jusqu'à ce qu'il s'arrête complètement. Ne tentez jamais de retirer un disque à tronçonner de la coupe s'il est encore en mouvement, un rebond pourrait sinon se produire. Cherchez la cause du grippage du disque et appliquez les actions correctives afin de la supprimer.

- ◆ **Ne recommencez pas la coupe dans l'ouvrage. Laissez le disque tourner à plein régime puis ré-entrez le prudemment dans la coupe.** Le disque pourrait sinon se gripper, sortir de la coupe ou rebondir si l'outil électrique était remis en marche à l'intérieur de la pièce à tronçonner.
- ◆ **Soutenez les panneaux ou les grandes pièces afin de réduire le risque de coincement ou de grippage du disque.** Les pièces de grande taille ont tendance à s'affaisser sous leur propre poids. Des supports doivent être placés sous la pièce à tronçonner, près de la ligne de découpe et sur les bords, des deux côtés du disque.
- ◆ **Soyez particulièrement vigilant lorsque vous effectuez des "découpes de cavités" dans des murs existants ou que vous procédez à des découpes à l'aveugle.** La saillie du disque peut sectionner des canalisations de gaz ou d'eau, des fils électriques ou des objets pouvant provoquer des rebonds.

Consignes de sécurité spécifiques aux opérations de ponçage

- ◆ **N'utilisez pas de disques de papier abrasif surdimensionnés. Suivez les recommandations des fabricants pour sélectionner le papier abrasif.** Les feuilles de papier abrasif de grande taille, dépassant du patin de ponçage, posent des risques de lacération et elles peuvent provoquer le grippage, la distorsion ou la casse du disque ou des rebonds.

Consignes de sécurité spécifiques aux opérations de polissage

- ◆ **Ne laissez aucune partie du disque de polissage desserrée ou les brides de fixation tourner librement. Rangez ou coupez les parties de cordons de fixation en surplus.** Des cordons de fixation trop longs, en rotation libre, peuvent se prendre dans les doigts ou dans la pièce à travailler.

Consignes de sécurité spécifiques aux opérations de brosse métallique

- ◆ **N'oubliez pas que des fils de brosse sont éjectés même aux cours d'opérations ordinaires. Ne contraignez pas trop les fils métalliques en appliquant une pression excessive sur la brosse.** Les fibres métalliques peuvent facilement pénétrer les vêtements légers et/ou la peau.

- ◆ **Si l'utilisation d'un carter de protection est recommandée pour le broissage métallique, le disque ou la brosse ne doivent en aucun cas toucher le carter.** Le diamètre de la brosse ou du disque métallique peut augmenter en fonction de la sollicitation de l'outil et de la force centrifuge.



Avertissement ! Tout contact ou inhalation de poussières pendant le ponçage/meulage peut présenter un danger pour la santé de l'utilisateur et des personnes éventuellement présentes à proximité. Portez un masque anti-poussières spécialement conçu pour vous protéger des poussières et des fumées et veillez à ce que les personnes se trouvant à l'intérieur de la zone de travail ou y pénétrant soient également protégées.

Sécurité des personnes

- ◆ Cet appareil n'est pas conçu pour être utilisé par des personnes (y compris des enfants) aux capacités physiques, sensorielles ou intellectuelles réduites ou sans expérience ni connaissances, à moins qu'elles ne soient surveillées ou qu'elles aient été informées sur la façon sûre d'utiliser l'appareil, par une personne responsable de leur sécurité.
- ◆ Ne laissez jamais les enfants sans surveillance afin d'éviter qu'ils ne jouent avec l'appareil.

Risques résiduels

Certains risques résiduels autres que ceux mentionnés dans les avertissements sur la sécurité peuvent survenir en utilisant l'outil. Ces risques peuvent être provoqués par une utilisation incorrecte, prolongée, etc.

Malgré l'application des normes de sécurité pertinentes et la mise en œuvre de dispositifs de sécurité, certains risques résiduels ne peuvent pas être évités. Ils comprennent :

- ◆ Les blessures dues au contact avec des pièces rotatives/mobiles.
- ◆ Les blessures dues au remplacement de pièces, de lames ou d'accessoires.
- ◆ Les blessures dues à l'utilisation prolongée d'un outil. Lorsque vous utilisez un outil quel qu'il soit pendant de longues périodes, assurez-vous de faire des pauses régulières.
- ◆ La diminution de l'acuité auditive.
- ◆ Les risques pour la santé provoqués par l'inhalation des poussières générées pendant l'utilisation de votre outil (exemple : travail avec du bois, surtout le chêne, le hêtre et les panneaux en MDF).

Vibrations

La valeur des émissions de vibrations déclarée dans la section Caractéristiques techniques et la déclaration de

conformité a été mesurée selon une méthode de test standard fournie par la norme EN 60745 et peut être utilisée pour comparer un outil à un autre. La valeur des émissions de vibrations déclarée peut aussi être utilisée pour une évaluation préliminaire à l'exposition.

Avertissement ! En fonction de la manière dont l'outil est utilisé, la valeur des émissions de vibrations réelles pendant l'utilisation de l'outil peut différer de la valeur déclarée. Le niveau des vibrations peut dépasser le niveau déclaré. Quand l'exposition aux vibrations est évaluée afin de déterminer les mesures de sécurité requises par la norme 2002/44/CE pour protéger les personnes utilisant régulièrement des outils électriques, cette estimation doit tenir compte des conditions réelles d'utilisation et de la façon dont l'outil est utilisé. Il faut également tenir compte de toutes les composantes du cycle de fonctionnement comme la durée pendant laquelle l'outil est arrêté et quand il fonctionne au ralenti, ainsi que la durée du déclenchement.

Étiquettes apposées sur l'outil

Les pictogrammes suivants ainsi que le code date sont apposés sur l'outil :



Avertissement ! Afin de réduire le risque de blessures, l'utilisateur doit lire le manuel d'utilisation.



Portez des lunettes de sécurité lorsque vous utilisez cet outil.



Portez des protections auditives lorsque vous utilisez cet outil.

Consignes de sécurité supplémentaires relatives aux batteries et chargeurs

Batteries (Modèle BCG720M1 uniquement)

- ◆ Ne tentez jamais de les ouvrir sous aucun prétexte.
- ◆ N'exposez pas la batterie à l'eau.
- ◆ Ne la stockez pas dans des endroits où la température peut dépasser 40 °C.
- ◆ Ne les rechargez qu'à une température ambiante comprise entre 10 °C et 40 °C.
- ◆ Ne rechargez qu'à l'aide du chargeur fourni avec l'outil.
- ◆ Lors de la mise au rebut des batteries, respectez les instructions données dans la section "Protection de l'environnement".



N'essayez pas de recharger des batteries endommagées.

Chargeurs (Modèle BCG720M1 uniquement)

- ◆ N'utilisez votre chargeur BLACK+DECKER que pour recharger la batterie fournie avec l'appareil/outil. D'autres

batteries pourraient exploser et provoquer des blessures et des dommages.

- ◆ Ne tentez jamais de recharger des piles non rechargeables.
- ◆ Faites immédiatement remplacer les cordons endommagés.
- ◆ N'exposez pas le chargeur à l'eau.
- ◆ N'ouvrez pas le chargeur.
- ◆ Ne sondez pas le chargeur



Le chargeur est conçu pour être exclusivement utilisé à l'intérieur.



Lisez le manuel d'utilisation avant utilisation

Sécurité électrique



Votre chargeur dispose d'une double isolation ; aucun fil de terre n'est donc nécessaire. Vérifiez toujours que la tension du réseau électrique correspond à la tension figurant sur la plaque signalétique. N'essayez jamais de remplacer le module de charge par une prise secteur ordinaire.

- ◆ Si le câble d'alimentation est endommagé, il doit être remplacé par le fabricant ou dans un centre d'assistance BLACK+DECKER agréé afin d'éviter tout accident.

Caractéristiques

Cet outil dispose de tout ou partie des éléments suivants.

1. Interrupteur de verrouillage
2. Interrupteur à gâchette
3. Poignée latérale
4. Dispositif de verrouillage de l'axe
5. Dispositif de protection de la meule
6. Disque de meulage
7. Port batterie
8. Batterie (Modèle BCG720M1 uniquement)

Recharger la batterie (Fig. A)

Les chargeurs BLACK+DECKER sont conçus pour recharger les blocs-batteries BLACK+DECKER.

- ◆ Branchez le chargeur (9) dans une prise appropriée avant d'insérer le bloc-batterie (8).
- ◆ Insérez le bloc-batterie (8) dans le chargeur en vous assurant qu'il est parfaitement en place dans les fentes de la batterie (Figure A).



Le voyant (9a) clignote pour indiquer que la batterie est en charge.



La fin de la charge est indiquée par le voyant restant fixe en continu. Le bloc est alors complètement rechargé et il peut soit être utilisé, soit être laissé dans le chargeur.

- ◆ Rechargez les batteries déchargées dès que possible après utilisation pour ne pas grandement diminuer leur durée de vie. Pour augmenter la durée de vie de la batterie, ne la laissez pas se décharger complètement. Il est recommandé de recharger les batteries après chaque utilisation.

Diagnostics du chargeur (Fig. B)

Ce chargeur est conçu pour détecter certains problèmes qui peuvent survenir avec les blocs-batteries ou les sources d'alimentation. Les problèmes sont signalés par un voyant clignotant de différentes manières.

Batterie défectueuse



Le chargeur peut détecter une batterie faible ou endommagée. Le voyant clignote de la façon indiquée sur l'étiquette. Arrêtez la charge de la batterie si vous voyez ce motif de clignotement indiquant que la batterie est défectueuse.

Renvoyez-la dans un centre d'assistance ou un site de collecte pour recyclage.

Délai Bloc chaud/froid



Lorsque le chargeur détecte que la batterie est trop chaude ou trop froide, il démarre automatiquement un délai Bloc Chaud/Froid,

suspendant la charge jusqu'à ce que la batterie se stabilise. Après cela, le chargeur passe automatiquement en mode Charge Bloc. Cette fonctionnalité garantit la durée de vie maximale de la batterie. Le voyant clignote de la façon indiquée sur l'étiquette.

Laisser la batterie dans le chargeur

Le chargeur et le bloc-batterie peuvent rester raccordés avec le voyant allumé en continu. Le chargeur maintient le bloc-batterie complètement chargé. Ce chargeur dispose d'un mode Ajustage automatique qui égalise ou équilibre les cellules individuelles du bloc-batterie pour lui permettre de fonctionner à sa pleine capacité. Les blocs-batteries doivent être ajustés toutes les semaines ou dès que la batterie ne permet plus de réaliser les mêmes tâches qu'auparavant. Pour utiliser le mode Ajustage automatique, placez le bloc-batterie dans le chargeur et laissez-le à l'intérieur pendant au moins 8 heures.

Remarques importantes sur la charge

- ◆ Une durée de vie prolongée et de meilleures performances peuvent être obtenues si le bloc-batterie est rechargé à une température ambiante comprise entre 18° et 24° C. NE rechargez PAS le bloc-batterie si la température ambiante est inférieure à +4,5° C ou supérieure à +40° C. Ceci est important et permet d'éviter le grave endommagement du bloc-batterie.

- ◆ Le chargeur et le bloc-batterie peuvent devenir chauds au toucher pendant la charge. Ceci est normal et n'indique pas un problème. Afin de faciliter le refroidissement du bloc-batterie après utilisation, évitez de placer le chargeur ou le bloc-batterie dans un environnement chaud comme une remise métallique ou une remorque non isolée.
- ◆ Si le bloc-batterie ne se recharge pas correctement :
 - ◆ Vérifiez le fonctionnement de la prise murale en y branchant une lampe ou un autre appareil ;
 - ◆ Vérifiez que la prise murale n'est pas reliée à un interrupteur coupant l'alimentation lorsqu'on éteint l'éclairage ;
 - ◆ Déplacez le chargeur et le bloc-batterie dans un endroit où la température ambiante est comprise entre 18° C et 24° C environ ;
 - ◆ Si les problèmes de charge persistent, apportez l'outil, le bloc-batterie et le chargeur à votre centre d'assistance local.
- ◆ Le bloc-batterie doit être rechargé lorsqu'il ne parvient plus à fournir la puissance nécessaire aux opérations qui étaient facilement réalisées auparavant. CESSEZ D'UTILISER l'outil dans ces conditions. Respectez la procédure de charge. Vous pouvez également recharger un bloc déjà utilisé si vous le souhaitez, sans que cela n'affecte le bloc-batterie.
- ◆ Les matériaux étrangers de nature conductrice comme, notamment et entre autres, les poussières de meulage, les copeaux métalliques, la laine d'acier, les feuilles d'aluminium ou toute autre accumulation de particules métalliques doivent être tenus à distance des cavités du chargeur. Débranchez le chargeur avant de le nettoyer.
- ◆ Ne congelez pas le chargeur et ne l'immergez pas dans l'eau ou dans tout autre liquide.

Installation et retrait de la batterie (Fig. C, D)

- ◆ Pour installer la batterie (8), alignez-la avec le réceptacle sur l'outil (7). Glissez la batterie dans le réceptacle et poussez-la jusqu'à ce qu'elle s'enclenche en place.
- ◆ Pour retirer la batterie, enfoncez le bouton de libération de la batterie (8a) tout en tirant sur la batterie pour l'extraire du compartiment.

Assemblage

Avertissement ! Avant l'assemblage, assurez-vous que l'outil est éteint et que la batterie est retirée.

Installation et retrait du carter (Fig. E, F, G)

L'outil est livré avec un carter de protection destiné uniquement aux opérations de meulage (type 27). Si l'outil doit être utilisé pour effectuer des opérations de tronçonnage, un carter de protection spécifique à ces opérations (type 41) doit être installé. Des carters de protection adaptés existent (1004702-44 pour les disques de 125mm) et ils peuvent être

obtenus dans les centres d'assistance BLACK+DECKER.

- ◆ Placez l'outil sur une table, en orientant l'axe (11) vers le haut.
- ◆ Dégagez le système de verrouillage et maintenez le carter au-dessus de l'outil, comme illustré par la figure E.
- ◆ Alignez les pattes (5a) avec les encoches (10), comme illustré par la figure F.
- ◆ Abaissez le carter et tournez-le dans le sens inverse des aiguilles d'une montre jusqu'à la position requise, comme illustré par la figure G.
- ◆ Serrez la vis de fixation du carter pour le sécuriser sur l'outil.
- ◆ Si nécessaire, serrez la vis pour augmenter la force de serrage.

Retrait

- ◆ Desserrez la vis de fixation du carter.
- ◆ Tournez le carter de protection dans le sens des aiguilles d'une montre pour aligner les pattes (5a) avec les encoches (10).
- ◆ Retirez le carter de l'outil.

Avvertissement ! N'utilisez jamais l'outil sans son carter de protection.

Installer la poignée latérale

- ◆ Vissez la poignée latérale (3) dans l'un des trous de fixation sur l'outil.

Avvertissement ! Utilisez toujours la poignée latérale.

Installation et retrait des disques de meulage, disques de coupe ou patins de ponçage à rabat (Fig. H, I, J, K, L)

Utilisez toujours le bon type de disque en fonction du travail à effectuer.

Utilisez toujours des disques du bon diamètre et dont l'alésage est de la bonne taille (voir caractéristiques techniques).

Installation

- ◆ Installez le carter de protection, comme décrit ci-dessus.
- ◆ Placez la bride intérieure (12) sur l'axe (11) comme illustré par la figure H. Assurez-vous que la bride est correctement positionnée sur les côtés plats de l'axe.
- ◆ Placez le disque (6) sur l'axe (11), comme illustré par la figure H. Si le disque a un centre bombé, assurez-vous que la saillie pointe vers la bride intérieure.
- ◆ Assurez-vous que le disque est correctement positionné sur la bride intérieure.
- ◆ Placez la bride extérieure (14) sur l'axe. Lorsque vous installez un disque à meuler, le centre bombé sur la bride extérieure doit pointer vers le disque (A sur la fig. I). Lorsque vous installez un disque à tronçonner, le centre

bombé sur la bride extérieure doit pointer à l'opposé du disque (B sur la Fig. I).

- ◆ Maintenez le dispositif de verrouillage de l'axe (4) enfoncé et serrez la bride extérieure à l'aide de la clé à double ergot (16) (Fig. J).

Retrait

- ◆ Maintenez le dispositif de verrouillage de l'axe (4) enfoncé et desserrez la bride extérieure (14) à l'aide de la clé à double ergot (16) (Fig. J).
- ◆ Retirez la bride extérieure (14) et le disque (6).

Meuler une surface avec des disques de meulage

- ◆ Laissez l'outil atteindre son plein régime avant de le mettre en contact avec la surface de l'ouvrage.
- ◆ Appuyez un minimum sur la surface et laissez l'outil fonctionner à pleine vitesse. La cadence de meulage est supérieure lorsque l'outil fonctionne à plein régime.
- ◆ Maintenez un angle de 20° à 30° entre l'outil et la surface de l'ouvrage comme illustré par la figure L.
- ◆ Déplacez l'outil en permanence dans un mouvement de va et vient afin d'éviter les irrégularités sur la surface de l'ouvrage.
- ◆ Soulevez l'outil de la surface avant de l'éteindre. Laissez l'outil s'arrêter complètement de tourner avant de le poser.

Meuler des chants avec des disques de meulage

Les disques utilisés pour le tronçonnage et le meulage de chants peuvent se briser ou rebondir s'ils se courbent ou se tordent pendant le tronçonnage ou le meulage en profondeur. Le meulage de chant/le tronçonnage avec un disque de type 27 doit être limité aux découpes et au rainurage peu profonds - moins de 13 mm de profondeur lorsque le disque est neuf. Réduisez la profondeur de la découpe/du rainurage proportionnellement à la réduction du rayon du disque, suivant son usure. Consultez le tableau des accessoires de meulage et de tronçonnage à la fin de ce manuel pour obtenir plus d'informations.

Le meulage de chant/le tronçonnage avec un disque de type 41 nécessite l'utilisation d'un carter de protection de type 41.

- ◆ Laissez l'outil atteindre son plein régime avant de le mettre en contact avec la surface de l'ouvrage.
- ◆ Appuyez un minimum sur la surface et laissez l'outil fonctionner à pleine vitesse. La cadence de meulage est supérieure lorsque l'outil fonctionne à plein régime.
- ◆ Placez-vous de sorte que le côté inférieur à nu du disque pointe loin de vous.
- ◆ Une fois la coupe entamée et l'entaille pratiquée dans l'ouvrage, ne modifiez plus l'angle de coupe. La modification de l'angle entraîne la courbure du disque qui peut alors se briser. Les disques pour le meulage de chants ne sont pas conçus pour supporter les pressions latérales en cas de courbure.

- ◆ Retirez l'outil de l'ouvrage avant de l'éteindre. Laissez l'outil s'arrêter complètement de tourner avant de le poser.

Avvertissement ! N'utilisez pas de disques de meulage de chants/à tronçonner pour meuler les surfaces si l'étiquette sur ces disques l'interdit car ils ne sont pas conçus pour les pressions latérales subies lors du meulage de surfaces. Une rupture du disque et de graves blessures pourraient en résulter.

Installation et retrait des disques de ponçage (Fig. K)

Un porte-patin est nécessaire pour le ponçage. Le porte-patin est un accessoire disponible auprès de votre revendeur BLACK+DECKER.

Installation

- ◆ Placez la bride intérieure (12) sur l'axe (11) comme illustré (Fig. K). Assurez-vous que la bride est correctement positionnée sur les côtés plats de l'axe.
- ◆ Positionnez le porte-patin (18) sur l'axe.
- ◆ Placez le disque de ponçage (19) sur le porte-patin.
- ◆ Installez la bride extérieure (14) sur l'axe en orientant le centre bombé vers l'extérieur du disque.
- ◆ Maintenez le dispositif de verrouillage de l'axe (4) enfoncé et serrez la bride extérieure à l'aide de la clé à double ergot (16) (Fig. J). Assurez-vous que la bride extérieure est correctement installée et que le disque est fermement fixé.

Retrait

- ◆ Maintenez le dispositif de verrouillage de l'axe (4) enfoncé et desserrez la bride extérieure (14) à l'aide de la clé à double ergot (16) (Fig. J).
- ◆ Retirez la bride extérieure (14), le disque de ponçage (19) et le porte-patin (18).

Finition de surface avec des disques de ponçage

- ◆ Laissez l'outil atteindre son plein régime avant de le mettre en contact avec la surface de l'ouvrage.
- ◆ Appliquez un minimum de pression sur la surface et laissez l'outil fonctionner à plein régime. La cadence de ponçage est meilleure lorsque l'outil fonctionne à plein régime.
- ◆ Maintenez un angle de 5° à 10° entre l'outil et la surface de l'ouvrage, comme illustré par la figure M.
- ◆ Déplacez l'outil en permanence dans un mouvement de va et vient afin d'éviter les irrégularités sur la surface de l'ouvrage.
- ◆ Soulevez l'outil de la surface avant de l'éteindre. Laissez l'outil s'arrêter complètement de tourner avant de le poser.

Utilisation de porte-patins de ponçage

Choisissez toujours des disques de ponçage avec un grain approprié à votre application. Les disques de ponçage sont disponibles en différents grains. Les grains plus grossiers permettent un retrait de matière plus rapide et une finition plus brute. Les grains plus fins permettent un retrait de matière plus lent et une finition plus lisse. Commencez avec les disques à grain grossier pour un retrait plus rapide et brut de matière. Passez ensuite à un grain moyen et terminez avec un disque à grain fin pour une finition optimale.

- ◆ Ponçage grossier = Grain de 16 - 30.
- ◆ Ponçage moyen = Grain de 36 - 80.
- ◆ Finition : Grain de 100 - 120.
- ◆ Finition ultrafine : Grain 150 - 180.
- ◆ Laissez l'outil atteindre son plein régime avant de le mettre en contact avec la surface à poncer.
- ◆ Appliquez un minimum de pression sur la surface et laissez l'outil fonctionner à plein régime. La cadence de ponçage est meilleure lorsque l'outil fonctionne à plein régime.
- ◆ Maintenez un angle de 5° à 10° entre l'outil et la surface de l'ouvrage comme illustré par la figure N. Le disque de ponçage doit toucher environ 25mm de la surface de l'ouvrage.
- ◆ Déplacez l'outil en permanence en ligne droite afin d'éviter les brûlures et les rayures sur la surface à poncer. Si l'outil est laissé sur la surface ou s'il est utilisé avec un mouvement circulaire, des brûlures et des rayures peuvent marquer la surface de l'ouvrage.
- ◆ Soulevez l'outil de la surface avant de l'éteindre. Laissez l'outil s'arrêter complètement de tourner avant de le poser.

Précautions à prendre pour poncer de la peinture

- ◆ Le ponçage de peinture à base de plomb **N'EST PAS RECOMMANDÉ** en raison de la difficulté à contrôler la poussière contaminée. Les enfants et les femmes enceintes courent le plus grand risque d'empoisonnement par le plomb.
 - ◆ Étant donnée la difficulté à pouvoir déterminer si une peinture contient ou non du plomb sans analyse chimique, nous recommandons les précautions suivantes lors du ponçage de toutes les peintures :
 - ◆ Les enfants et les femmes enceintes ne doivent pas pénétrer dans la zone de travail lors du ponçage de la peinture et tant que le nettoyage n'est pas terminé.
 - ◆ Toutes les personnes pénétrant dans la zone de travail doivent porter un masque anti-poussières ou un appareil respiratoire. Le filtre doit être remplacé tous les jours ou dès que l'utilisateur a du mal à respirer.
- Remarque :** Seuls les masques appropriés pour le travail avec de la poussière et des fumées de peinture au plomb doivent être utilisés. Les masques pour peinture ordinaires n'offrent pas une telle protection. Prenez conseil auprès de

vosre quincallerie concernant les masques à poussières homologiques.

- ◆ NE MANGEZ, NE BUVEZ et NE FUMEZ PAS dans la zone de travail afin d'éviter d'ingérer des particules de peinture contaminées. Les utilisateurs doivent se laver et procéder au nettoyage AVANT de manger, de boire ou de fumer. Les aliments et les cigarettes ne doivent pas être laissés dans la zone de travail si la poussière peut s'y déposer.
- ◆ La peinture doit être retirée de manière à réduire au minimum la quantité de poussière générée.
- ◆ Les zones où le retrait de peinture a lieu doivent être scellées avec des bâches en plastique d'une épaisseur de 4 millimètres.
- ◆ Le ponçage doit être effectué de manière à réduire l'entraînement de poussière de peinture hors de la zone de travail.
- ◆ Toutes les surfaces de la zone de travail doivent être aspirées et nettoyées à fond, chaque jour et pendant toute la durée du travail de ponçage. Les sacs filtrants des aspirateurs doivent être remplacés fréquemment.
- ◆ Les bâches de protection en plastique doivent être rassemblées et jetées avec les poussières, copeaux et autres débris. Elles doivent être placées dans des récipients étanches et jetées selon les procédures habituelles de collecte des déchets. Pendant le nettoyage, les enfants et les femmes enceintes doivent être tenus éloignés de la zone de travail.
- ◆ Tous les jouets, meubles lavables et ustensiles utilisés par les enfants doivent être lavés à fond avant de pouvoir être réutilisés.

Monter et utiliser des brosses métalliques et des disques brosses

Les brosses métalliques soucoupes ou les brosses métalliques à mèches se montent directement sur le mandrin de la meuleuse sans utiliser de brides. Un carter type 27 est nécessaire lors de l'utilisation des brosses métalliques ou des brosses métalliques à mèches. Portez des gants de travail lors pour manipuler les brosses métalliques et les disques. Ils peuvent être tranchants. Le disque ou la brosse ne doit pas toucher le carter de protection au moment de son installation ou pendant l'utilisation. Des dommages indétectables peuvent se produire sur l'accessoire, entraînant la fragmentation des brins du disque ou de la brosse boisseau.

- ◆ Vissez le disque sur l'axe à la main.
- ◆ Enfoncez le bouton de verrouillage de l'axe et utilisez une clé sur le moyeu de la brosse métallique ou du disque brosse pour les serrer.
- ◆ Pour retirer le disque, suivez la procédure ci-dessus dans l'ordre inverse.

Avertissement ! Si le moyeu du disque n'est pas correctement positionné avant de mettre l'outil en marche, l'outil ou le disque peuvent être endommagés. Les disques brosses et les brosses métalliques peuvent être utilisés pour éliminer la rouille, le calcaire et la peinture et pour lisser les surfaces irrégulières.

Remarque : Les précautions à prendre pour éliminer de la peinture avec une brosse métallique sont identiques à celles applicables pour le ponçage de la peinture.

- ◆ Laissez l'outil atteindre son plein régime avant de le mettre en contact avec la surface de l'ouvrage.
- ◆ Appliquez un minimum de pression sur la surface et laissez l'outil fonctionner à plein régime. La cadence de retrait de matière est meilleure lorsque l'outil fonctionne à plein régime.
- ◆ Conservez un angle de 5° à 10° entre l'outil et la surface de l'ouvrage avec des brosses boisseaux métalliques, comme illustré par la figure O.
- ◆ Maintenez le contact entre le flanc du disque et l'ouvrage avec des disques brosses.
- ◆ Déplacez l'outil en permanence dans un mouvement de va et vient afin d'éviter les irrégularités sur la surface de l'ouvrage. Si l'outil est laissé sur la surface ou s'il est utilisé avec un mouvement circulaire, des brûlures et des rayures peuvent marquer la surface de l'ouvrage.
- ◆ Retirez l'outil de l'ouvrage avant de l'éteindre. Laissez l'outil s'arrêter complètement de tourner avant de le poser.

Avertissement ! Faites particulièrement attention quand vous intervenez sur les bords, car la meuleuse peut se déplacer de façon soudaine.

Installer et utiliser des disques à tronçonner (type 41)

Les disques à tronçonner incluent les disques diamant et les disques abrasifs. Des disques à tronçonner abrasifs existent pour le métal et le béton. Des lames diamant peuvent aussi être utilisées pour tronçonner le béton.

REMARQUE : Un carter de protection fermé bilatéral de type 41 est vendu séparément et il est nécessaire pour utiliser des disques à tronçonner. Ne pas utiliser de bride et de carter de protection adaptés peut entraîner des blessures si le disque casse ou en cas de contact avec le disque.

Des brides-supports et des écrous de serrage filetés du bon diamètre (fournis avec l'outil) doivent être utilisés avec les disques à tronçonner.

Installation des disques à tronçonner

- ◆ Placez la bride-support non fileté sur l'axe, section bombée (pilote) vers le haut. La section bombée (pilote) sur la bride-support se trouve contre le disque lorsque le disque est installé.
- ◆ Placez le disque sur la bride-support en le centrant sur la section bombée (pilote).

- ◆ Installez l'écrou de blocage fileté, section bombée (pilote) éloignée du disque.
- ◆ Enfoncez le bouton de verrouillage de l'axe et serrez l'écrou de blocage à l'aide de la clé fournie (16).
- ◆ Pour retirer le disque, enfoncez le bouton de verrouillage de l'axe et desserrez l'écrou de blocage fileté à l'aide de la clé fournie.

Avertissement ! N'utilisez pas de disques de meulage de chants/à tronçonner pour meuler les surfaces car ces disques ne sont pas conçus pour les pressions latérales subies lors du meulage de surfaces. Une rupture du disque et des blessures peuvent se produire.

- ◆ Laissez l'outil tourner à plein régime avant de le mettre en contact avec l'ouvrage.
- ◆ Appliquez une pression minimum sur la surface de l'ouvrage et laissez l'outil fonctionner à plein régime. La cadence de tronçonnage est meilleure lorsque l'outil fonctionne à plein régime.
- ◆ Une fois la coupe entamée et l'entaille pratiquée dans l'ouvrage, ne modifiez plus l'angle de coupe. La modification de l'angle entraîne la courbure du disque qui peut alors se briser.
- ◆ Soulevez l'outil de la surface avant de l'éteindre. Laissez l'outil s'arrêter complètement de tourner avant de le poser.

Utilisation

Avertissement ! Laissez l'outil fonctionner à son propre rythme. Ne le poussez pas au-delà de sa capacité.

- ◆ Gardez à l'esprit que des étincelles peuvent se produire lorsque le disque de meulage ou le disque à tronçonner touchent l'ouvrage.
- ◆ Placez toujours l'outil de manière que le carter de protection vous protège au maximum du disque de meulage ou du disque à tronçonner.

Mettre l'outil en marche et l'éteindre

- ◆ Pour mettre l'outil en marche, glissez l'interrupteur de verrouillage (2) vers l'avant.
- ◆ Pour éteindre l'outil, glissez l'interrupteur de verrouillage (2) vers l'arrière.

Avertissement ! N'éteignez pas l'outil avant qu'il ne tourne à vide.

Avertissement ! Enclenchez toujours l'interrupteur de verrouillage lorsque l'outil n'est pas utilisé.

Conseils pour une utilisation optimale

- ◆ Maintenez fermement l'outil en plaçant une main sur la poignée latérale et l'autre main sur la poignée principale.
- ◆ Pendant le meulage, maintenez toujours un angle d'environ 20 à 30° entre le disque et la surface de l'ouvrage.

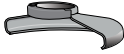





Maintenance





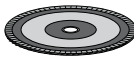

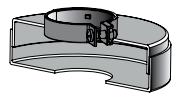
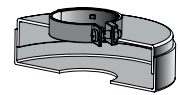


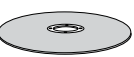
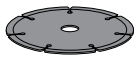


Votre appareil/outil sans fil/avec fil BLACK+DECKER a été conçu pour fonctionner pendant longtemps avec un minimum d'entretien. Le fonctionnement continu et satisfaisant de l'appareil dépend de son bon entretien et de son nettoyage régulier.

Avertissement ! Avant toute intervention de maintenance sur des outils électriques avec ou sans fil :

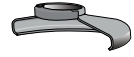
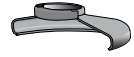





- ◆ Arrêtez et débranchez l'appareil/outil.
- ◆ Ou, éteignez l'appareil/outil et retirez en la batterie s'il dispose d'un bloc-batterie séparé.
- ◆ Ou déchargez complètement la batterie si elle est intégrée au système, puis éteignez l'appareil.
- ◆ Débranchez le chargeur avant de le nettoyer. Votre chargeur ne nécessite aucun entretien particulier, à l'exception d'un nettoyage régulier.
- ◆ Nettoyez régulièrement les fentes d'aération de votre appareil/outil/chargeur à l'aide d'une brosse souple ou d'un chiffon sec.
- ◆ Nettoyez régulièrement le bloc-moteur à l'aide d'un chiffon humide. N'utilisez pas de détergents abrasifs ou à base de solvants.

Tableau des accessoires de meulage et de tronçonnage

Disque à meuler	
 Carter de protection type 27	 Carter de protection type 27
 Bride-support non fileté	
 Disque à centre creux type 27	 Disque à moyeu type 27
 Écrou de blocage fileté	

Disques de ponçage à lamelles	
 Carter de protection type 27	 Carter de protection type 27
 Disque de ponçage à lamelles avec moyeu	 Bride-support non fileté
	 Disque de ponçage à lamelles sans moyeu
	 Écrou de blocage fileté
Disques à tronçonner type 41	
 Carter de protection type 41	 Carter de protection type 41
 Bride-support	 Bride-support
 Disque à tronçonner abrasif	 Disque à tronçonner diamant
 Écrou de blocage	 Écrou de blocage

Disques brosses

 Carter de protection type 27	 Carter de protection type 27
 Brosse boisseau métallique 3 pouces	 Brosse boisseau métallique 4 pouces
Disques de ponçage	
 Porte-patin en caoutchouc	
 Disque de ponçage	
 Écrou de blocage fileté	

Protection de l'environnement



Tri sélectif. Les produits et batteries marqués de ce symbole ne doivent pas être jetés avec les déchets ménagers.

Les produits et batteries contiennent des matières qui peuvent être récupérées et recyclées afin de réduire la demande en matières premières.

Veillez à recycler les produits électriques et les piles et batteries conformément aux dispositions locales en vigueur. Pour plus d'informations, consultez le site www.2helpU.com

Caractéristiques techniques

		BCG720 M1	BCG720 N
Tension d'entrée	V _{cc}	18	18
Vitesse nominale (A vide)	min ⁻¹	8600	8600
Orifice du disque	mm	22	22
Épaisseur max. du disque			
Disques de meulage	mm	6	6
Disques à tronçonner	mm	3,5	3,5
Taille de l'axe		M14	M14
Poids	Kg	2,1 moins la batterie et le disque	2,1 moins la batterie et le disque
Batterie		BL4018	Outil nu (non fourni)
Tension	V _{cc}	18	
Capacité	Ah	4,0	
Type		Li-Ion	
Chargeur		9059995*	Outil nu (non fourni)
Tension d'entrée	V _{ca}	230	
Tension de sortie	V _{cc}	18	
Courant	A	1,0	
Durée de charge approximative	Heures	4	

Niveau de pression sonore selon la norme EN 60745 :

Pression sonore (L_{wa}) 76 dB(A), incertitude (K) 4 dB(A)

Puissance sonore (L_{wa}) 87 dB(A), incertitude (K) 4 dB(A)

Valeurs totales des vibrations (somme vectorielle triaxiale) selon la norme EN 60745 :

Meulage de surface (a_{h,sc}) : 7,3m/s², K=1,5m/s².
 Ponçage au disque (a_{h,cd}) : 1,9m/s², K=1,5m/s².
 Polissage (a_{h,p}) : 8,6m/s², K=2,4m/s².
 Brossage métallique (a_{h,mb}) : 3,8m/s², K=1,5m/s².
 Tronçonnage (a_{h,co}) : 4,0m/s², K=1,5m/s².

Déclaration de conformité CE
DIRECTIVES MACHINES

Meuleuse d'angle BCG720 Black & Decker déclare que les

produits décrits dans les «Caractéristiques techniques» sont conformes aux normes :

2006/42/CE, EN 60745-1:2009 +A11:2010 ;
 EN 60745-2-3:2011+A2:2013+A11:2014
 +A12:2014+A13:2015

Ces produits sont également conformes aux Directives 2014/30/UE et 2011/65/UE.

Pour plus de détails, veuillez contacter Black & Decker à l'adresse suivante ou consultez la dernière page du manuel.

Le soussigné est responsable de la compilation des données de la fiche technique et fait cette déclaration au nom de Black & Decker.



R. Laverick
 Directeur Ingénierie
 Black & Decker Europe, 210 Bath Road, Slough,
 Berkshire, SL1 3YD
 Royaume Uni
 10/01/2018

Garantie

Black & Decker est sûr de la qualité de ses produits et offre une garantie de 24 mois aux utilisateurs, à partir de la date d'achat. Cette garantie s'ajoute à vos droits légaux auxquels elle ne porte aucunement préjudice. Cette garantie est valable au sein des territoires des États membres de l'Union Européenne et au sein de la Zone européenne de libre-échange.

Pour prétendre à la garantie, la réclamation doit être conforme aux conditions générales de Black & Decker et vous devez fournir une preuve d'achat au vendeur ou au réparateur agréé. Les conditions générales de la garantie de 2 ans Black & Decker ainsi que l'adresse du réparateur agréé le plus proche sont disponibles sur le site Internet www.2helpU.com ou en contactant votre agence Black & Decker locale à l'adresse indiquée dans ce manuel.

Veillez consulter notre site Internet www.blackanddecker.co.uk pour enregistrer votre nouveau produit Black & Decker et pour être tenu informé des nouveaux produits et offres spéciales.

Uso previsto

La smerigliatrice angolare BLACK+DECKER BCG720 M1, BCG720 N è stata progettata per molare e tagliare metallo e murature, usando il tipo corretto di mole da taglio o per smerigliatura, se dotato della opportuna protezione. Questo utensile è destinato esclusivamente all'uso privato.

Istruzioni di sicurezza

Avvertenze di sicurezza generali per gli elettro utensili



Avvertenza! Leggere attentamente tutte le avvertenze e le istruzioni di sicurezza. La mancata osservanza delle avvertenze e istruzioni elencate di seguito potrebbe dar luogo a scosse elettriche, incendi e/o infortuni gravi.

Conservare tutte le avvertenze e le istruzioni per consultazioni successive. Il termine "elettro utensile" che ricorre in tutte le avvertenze seguenti si riferisce a utensili elettrici alimentati attraverso la rete elettrica (con filo) o a batteria (senza filo).

1. Sicurezza nell'area di lavoro

- Mantenere pulita e bene illuminata l'area di lavoro.** Gli ambienti disordinati o scarsamente illuminati favoriscono gli incidenti.
- Evitare di usare gli elettro utensili in ambienti esposti a rischio di esplosione, ad esempio in presenza di liquidi, gas o polveri infiammabili.** Gli elettro utensili generano scintille che possono incendiare le polveri o i fumi.
- Tenere lontani bambini e altre persone presenti mentre si usa un elettro utensile.** Eventuali distrazioni possono provocare la perdita di controllo dello stesso.

2. Sicurezza elettrica

- Le spine elettriche degli elettro utensili devono essere adatte alla presa. Non modificare la spina in alcun modo. Non utilizzare spine con adattatore con gli elettro utensili dotati di messa a terra.** Per ridurre il rischio di scossa elettrica evitare di modificare le spine e utilizzare sempre le prese di corrente appropriate.
- Evitare il contatto fisico con superfici collegate a terra, come tubi, radiatori, forni e frigoriferi.** Se il proprio corpo è collegato a terra, il rischio di scossa elettrica aumenta.
- Non esporre gli elettro utensili alla pioggia o all'umidità.** Se entra dell'acqua all'interno dell'elettro utensile, il rischio di scosse elettriche aumenta.
- Non utilizzare il cavo di alimentazione in modo improprio. Non spostare, tirare o scollegare mai**

l'elettro utensile tirandolo dal cavo. Tenere il cavo di alimentazione lontano da fonti di calore, olio, bordi taglienti o parti in movimento. Se il cavo di alimentazione è danneggiato o impigliato, il rischio di scossa elettrica aumenta.

- Se l'elettro utensile viene utilizzato all'aperto, usare esclusivamente prolunghie omologate per l'impiego all'esterno.** L'uso di un cavo di alimentazione adatto ad ambienti esterni riduce il rischio di scossa elettrica.
 - Se non è possibile evitare di lavorare in una zona umida, usare una rete elettrica protetta da un interruttore differenziale (RCD).** L'uso di un interruttore differenziale riduce il rischio di scossa elettrica.
- Sicurezza delle persone**
 - È importante concentrarsi su ciò che si sta facendo e maneggiare con giudizio l'elettro utensile. Non utilizzare un elettro utensile quando si è stanchi o sotto l'effetto di droghe, alcool o medicinali.** Un solo attimo di distrazione durante l'uso dell'elettro utensile potrebbe provocare gravi lesioni personali.
 - Usare dispositivi di protezione individuale. Indossare sempre occhiali di protezione.** L'uso di dispositivi di protezione, quali mascherine antipolvere, scarpe antinfortunistiche antiscivolo, elmetti o protezioni auricolari in condizioni opportune consente di ridurre le lesioni personali.
 - Impedire l'avviamento involontario. Accertarsi che l'interruttore di accensione sia in posizione "off" (spento), prima di collegare l'elettro utensile alla rete elettrica e/o alla batteria, di prenderlo in mano o di trasportarlo.** Per non esporsi al rischio di incidenti, non trasportare l'elettro utensile tenendo le dita sull'interruttore e non collegarlo a una fonte di alimentazione elettrica con l'interruttore acceso.
 - Prima di accendere un elettro utensile, togliere eventuali utensili o chiavi di regolazione.** Un utensile di regolazione o una chiave inserito/a su una parte rotante dell'elettro utensile può provocare lesioni a persone.
 - Non sbilanciarsi. Mantenere sempre un appoggio e un equilibrio adeguati.** In tal modo è possibile mantenere un migliore controllo dell'elettro utensile nelle situazioni impreviste.
 - Vestirsi adeguatamente. Non indossare abiti lenti o gioielli. Tenere i capelli, i vestiti e i guanti lontano dalle parti mobili.** Abiti larghi, gioielli o capelli lunghi possono impigliarsi nelle parti in movimento.
 - Se gli elettro utensili sono provvisti di attacchi per il collegamento di dispositivi di aspirazione o di raccolta della polvere, assicurarsi che questi siano installati e utilizzati correttamente.** La raccolta della polvere può ridurre i pericoli legati a quest'ultima.

- Non lasciare che la familiarità acquisita dall'uso frequente degli utensili induca a cedere alla tentazione di ignorare i principi di utilizzo sicuro degli stessi.** Un'azione imprudente potrebbe provocare lesioni gravi in una frazione di secondo.

4. Uso e cura dell'elettro utensile

- Non sovraccaricare l'elettro utensile. Utilizzare l'elettro utensile adatto per il lavoro da eseguire.** L'elettro utensile corretto funziona meglio e in modo più sicuro, se utilizzato alla velocità per cui è stato progettato.
- Non utilizzare l'elettro utensile se l'interruttore di accensione/spengimento è difettoso.** Qualsiasi elettro utensile che non possa essere controllato tramite l'interruttore è pericoloso e deve essere riparato.
- Scollegare la spina dalla presa di corrente e/o la batteria dall'elettro utensile prima di regolarlo, sostituirne gli accessori o riporlo in magazzino.** Queste misure di sicurezza preventive riducono il rischio di azione accidentale dell'elettro utensile.
- Quando non vengono usati, gli elettro utensili devono essere custoditi fuori dalla portata dei bambini. Non consentire l'uso dell'elettro utensile a persone inesperte o che non abbiano letto le presenti istruzioni d'uso.** Gli elettro utensili sono pericolosi in mano a persone inesperte.
- Sottoporre gli elettro utensili a regolare manutenzione. Verificare che le parti mobili siano correttamente allineate e non inceppate, che non vi siano componenti rotti e che non sussistano altre condizioni che possono compromettere il funzionamento dell'elettro utensile. Se danneggiato, far riparare l'elettro utensile prima dell'uso.** Molti incidenti sono provocati da elettro utensili non sottoposti a corretta manutenzione.
- Mantenere affilati e puliti gli utensili da taglio.** La manutenzione corretta degli utensili da taglio con bordi affilati riduce le probabilità di inceppamento e ne facilita il controllo.
- Utilizzare l'elettro utensile, gli accessori, le punte, ecc. in conformità alle presenti istruzioni, tenendo conto delle condizioni operative e del lavoro da eseguire.** L'utilizzo dell'elettro utensile per impieghi diversi da quelli previsti può dare luogo a situazioni di pericolo.
- Mantenere le impugnature e le superfici di presa asciutte, pulite e senza tracce di olio o grasso.** Impugnature e superfici di presa scivolose non consentono di maneggiare e controllare in modo sicuro l'utensile nel caso di imprevisti.

5. Uso e cura degli elettro utensili a batteria

- Ricaricare la batteria utilizzando esclusivamente il caricabatterie l'alimentatore specificato dal**

fabbricante. Un caricabatterie adatto per un solo tipo di batteria può comportare il rischio d'incendio se usato con una batteria diversa.

- Usare gli elettro utensili esclusivamente con le batterie specificamente progettate per gli stessi.** L'impiego di batterie di tipo diverso potrebbe provocare il rischio di lesioni a persone e incendi.
- Quando la batteria non è in uso, tenerla lontano da altri oggetti metallici, come graffette, monete, chiavi, chiodi, viti o altri oggetti metallici di piccole dimensioni, che potrebbero cortocircuitare un morsetto con l'altro.** Se i morsetti della batteria vengono cortocircuitati potrebbero provocare ustioni o un incendio.
- In condizioni di sovraccarico, dalla batteria potrebbe fuoriuscire del liquido: evitare di toccarla. In caso di contatto accidentale, risciacquare la pelle con acqua. Se il liquido entra a contatto con gli occhi, consultare un medico.** Il liquido che fuoriesce dalla batteria può causare irritazioni o ustioni.
- Non utilizzare una batteria o un utensile danneggiati o modificati.** Le batterie danneggiate o modificate potrebbero manifestare un comportamento imprevedibile con la possibilità di causare un'esplosione o un incendio.
- Non esporre una batteria o un utensile al fuoco o a temperature eccessivamente elevate.** L'esposizione al fuoco o a una temperatura superiore a 130°C potrebbe provocare un'esplosione.
- Seguire tutte le istruzioni per la carica e non caricare la batteria o l'elettro utensile a una temperatura che non rientri nell'intervallo di valori specificato nelle istruzioni.** Una ricarica effettuata in maniera scorretta o a una temperatura che non rientra nell'intervallo di valori specificato, potrebbe danneggiare la batteria aumentando il rischio d'incendio.

6. Assistenza

- Fare riparare l'elettro utensile esclusivamente da personale specializzato e solo utilizzando pezzi di ricambio originali.** In questo modo sarà possibile mantenere la sicurezza dell'elettro utensile.
- Non riparare le batterie danneggiate.** Gli interventi di riparazione sulle batterie devono essere eseguiti dal costruttore o da fornitori di assistenza autorizzati.

Ulteriori avvertenze di sicurezza valide per gli elettro utensili



Avvertenza! Avvertenze di sicurezza comuni aggiuntive per operazioni di smerigliatura, carteggiatura, spazzolatura metallica, lucidatura o taglio abrasivo:

- ◆ **Questo elettro utensile è stato progettato per funzionare come smerigliatrice, levigatrice, spazzola**

in acciaio, lucidatrice o utensile da taglio. Leggere attentamente tutte le avvertenze, istruzioni, illustrazioni e specifiche fornite con l'elettrotensile.

La mancata osservanza delle istruzioni seguenti può dar luogo a scossa elettrica, incendio e/o lesioni gravi.

- ◆ **L'esecuzione di lavorazioni per le quali l'elettrotensile non è stato progettato comporta dei rischi e può causare lesioni personali.**
 - ◆ **Non utilizzare accessori non progettati appositamente o non consigliati dal produttore per questo tipo di elettrotensile.** Anche se un accessorio può essere collegato all'elettrotensile, ciò non ne garantisce la sicurezza di utilizzo.
 - ◆ **La velocità nominale dell'accessorio deve essere pari almeno a quella massima indicata sull'elettrotensile.** Gli accessori fatti funzionare a una velocità superiore rispetto a quella nominale possono rompersi e disintegrarsi.
 - ◆ **Il diametro esterno e lo spessore dell'accessorio devono rientrare nel valore della capacità nominale dell'elettrotensile.** Gli accessori di misura sbagliata non possono essere protetti o controllati in modo adeguato.
 - ◆ **L'attacco filettato degli accessori deve corrispondere alla filettatura dell'alberino della smerigliatrice. Per gli accessori montati tramite flange, il foro dell'albero dell'accessorio deve corrispondere al diametro di posizionamento della flangia.** Gli accessori che non corrispondono alla struttura di montaggio dell'elettrotensile non mantengono l'equilibrio, vibrano eccessivamente e possono causare la perdita di controllo.
 - ◆ **Non usare accessori danneggiati.** Prima di ogni utilizzo controllare gli accessori affinché sulle mole abrasive non vi siano scheggiature e lesioni, non siano presenti crepe o segni eccessivi di usura sul tampono di rinforzo, che le spazzole metalliche non abbiano filamenti metallici staccati o spezzati. Se l'elettrotensile o l'accessorio è caduto, verificare eventuali danni o installare un accessorio non danneggiato. Dopo aver ispezionato e installato un accessorio, far funzionare l'elettrotensile alla velocità massima a vuoto per un minuto. Gli accessori danneggiati normalmente si rompono durante questa fase di verifica.
 - ◆ **Usare l'equipaggiamento di protezione personale.** A seconda delle lavorazioni, utilizzare una maschera o occhiali di protezione. Se opportuno, indossare una mascherina antipolvere, protezioni acustiche, guanti e un grembiule da lavoro in grado di arrestare frammenti abrasivi o di lavorazione di piccole dimensioni. La protezione oculare deve impedire a detriti volanti generati dalle varie lavorazioni di raggiungere gli occhi. La mascherina antipolvere o il respiratore devono essere in grado di filtrare le particelle generate dall'operazione eseguita. L'esposizione prolungata a rumori di alta intensità può causare la perdita dell'udito.
 - ◆ **Mantenere gli osservatori a una distanza di sicurezza dall'area di lavoro. Chiunque acceda alla zona di lavoro deve indossare abbigliamento di protezione adeguato.** Frammenti del pezzo da lavorare o di un accessorio rotto possono volare via e causare lesioni al di là dell'immediata area di lavoro.
 - ◆ **Sostenere l'elettrotensile soltanto con supporti aventi superfici isolanti quando si eseguono lavorazioni in cui la parte tagliente potrebbe toccare cavi elettrici nascosti o il cavo di alimentazione dell'accessorio di taglio.** Gli accessori da taglio che vengono a contatto con un cavo sotto tensione trasmettono la corrente elettrica anche alle parti metalliche esposte dell'elettrotensile e possono provocare la folgorazione dell'operatore.
 - ◆ **Usare morse o altri metodi pratici per fissare e sostenere il pezzo in lavorazione su una piattaforma stabile.** Tenere il pezzo in lavorazione con le mani o contro il corpo non ne assicura la stabilità e potrebbe comportare la perdita di controllo.
 - ◆ **Posizionare il cavo lontano dall'accessorio rotante.** In caso di perdita di controllo, il cavo può essere tagliato o impigliato e potrebbe avere una forza tale da trascinare la mano o il braccio dell'operatore verso l'accessorio rotante.
 - ◆ **Non appoggiare mai l'elettrotensile finché l'accessorio non si è completamente arrestato.** Mentre gira l'accessorio potrebbe fare presa sulla superficie e trascinare l'elettrotensile facendone perdere il controllo.
 - ◆ **Non azionare l'elettrotensile mentre lo si trasporta tenendolo lungo il fianco.** Un contatto accidentale con l'accessorio rotante può farlo impigliare ai vestiti e trascinarlo verso il corpo dell'operatore.
 - ◆ **Pulire regolarmente le prese d'aria dell'elettrotensile.** La ventola del motore può attirare la polvere all'interno dell'alloggiamento e l'accumulo eccessivo di metallo polverizzato può causare pericoli elettrici.
 - ◆ **Non utilizzare l'elettrotensile vicino a materiali infiammabili.** Le scintille possono far prendere fuoco ai materiali.
 - ◆ **Non utilizzare accessori che richiedono refrigeranti liquidi.** L'utilizzo di acqua o altri liquidi refrigeranti può provocare elettrocuzione o scosse elettriche.
- Nota:** Il suddetto avviso non è inteso per gli elettrotensili progettati in modo specifico per essere usati con un impianto a base di liquido.
- Contraccolpi e avvisi in merito**
Il rimbalzo è una reazione improvvisa provocata da mole, platorelli, spazzole o qualsiasi altro accessorio in rotazione che rimanga pinzato o impigliato. L'inceppamento o l'incastamento causano il bloccaggio rapido dell'accessorio

rotante, che a sua volta spinge l'elettrotensile, non più controllato, in direzione opposta a quella di rotazione dell'accessorio nel punto in cui era rimasto inceppato.

Ad esempio, se un disco abrasivo è impigliato o pinzato dal pezzo da lavorare, il bordo della mola penetrato nel punto pinzato può scavare nel materiale e causare lo scavalco o il rimbalzo della mola. Il disco potrebbe saltare verso l'operatore, o dalla parte opposta, a seconda della direzione del movimento del disco nel punto di inceppamento. In queste condizioni è possibile che le mole abrasive si spezzino.

Un contraccollo è la conseguenza di un utilizzo non appropriato oppure non corretto dell'elettrotensile. Esso può essere evitato soltanto adottando le misure di sicurezza idonee come descritto di seguito.

- ◆ **Mantenere una presa salda sull'elettrotensile e posizionare il corpo e il braccio in un modo tale da poter resistere alle forze del contraccollo.** Usare sempre l'impugnatura ausiliaria, se presente, per avere il massimo controllo in caso di contraccolpi o di reazione di coppia all'avviamento. L'operatore è in grado di resistere alla forza esercitata da eventuali reazioni di coppia o contraccolpi se adotta le misure del caso.
- ◆ **Non appoggiare mai la mano vicino all'accessorio rotante.** L'accessorio potrebbe rimbalzare sulle mani dell'operatore.
- ◆ **Non posizionare il corpo nella zona verso la quale l'elettrotensile potrebbe spostarsi in caso di contraccollo.** Il contraccollo potrebbe lanciare l'elettrotensile nella direzione opposta a quella di rotazione del disco nel momento in cui si incastra.
- ◆ **Prestare particolare quando si lavora negli angoli, su bordi aguzzi e così via, evitando di far saltellare e di incastrare l'accessorio.** Angoli, estremità appuntite o rimbalzi tendono a fare impigliare l'accessorio rotante e a causare la perdita di controllo o il rimbalzo dell'elettrotensile.
- ◆ **Non montare una catena da sega, una lama da intaglio o una lama di sega dentata.** Queste lame creano rimbalzi e perdita di controllo frequenti.

Avvisi di sicurezza specifici per le operazioni di smerigliatura e di taglio con abrasivo

- ◆ **Usare solo mole di tipo consigliato per l'elettrotensile in oggetto e protezioni anch'esse progettate in modo specifico per il disco selezionato.** Le mole non omologate per quell'elettrotensile non possono essere protette adeguatamente e non sono sicure.

- ◆ **La superficie di smerigliatura delle mole con centro concavo deve essere montata al di sotto del piano del labbro della protezione.** Non è possibile fornire una protezione adeguata a una mola non montata correttamente che sporge attraverso il piano della linguetta di protezione.
- ◆ **La protezione deve essere fissata saldamente sull'elettrotensile e deve essere posizionata in modo tale da garantire la massima sicurezza, con una quantità minima di disco esposto verso l'operatore.** La protezione serve per proteggere l'operatore da frammenti di mole spezzate, da un contatto accidentale con la mola e dalle scintille che potrebbero incendiare gli indumenti.
- ◆ **Le mole devono essere usati solo per le applicazioni consigliate. Per esempio: non molare con il fianco di una mola da taglio.** Le mole da taglio abrasivo sono progettate per la smerigliatura periferica. Forze laterali applicate a queste mole possono causarne la frantumazione.
- ◆ **Usare sempre flange di mole non danneggiate che sono di misura e forma corrette per il disco selezionato.** Se le flange sono appropriate, supportano la mola e ne riducono la possibilità di rottura. Le flange per le mole da taglio possono differire dalle flange per le mole abrasive.
- ◆ **Non usare mole usurate appartenute in precedenza a elettrotensili di maggiori dimensioni.** Le mole progettate per apparati più potenti non sono adatte alle maggiori velocità degli apparati più piccoli e si possono spaccare.

Addizionali avvisi di sicurezza specifici per le operazioni di taglio con abrasivo

- ◆ **Non inceppare la mola da taglio e non esercitare una pressione eccessiva. Non provare a fare tagli troppo profondi.** Una sollecitazione eccessiva del disco aumenta il carico e la suscettibilità del disco stesso a piegarsi o a incepparsi nel taglio con la possibilità di contraccolpi o di rottura del disco.
- ◆ **Non posizionare il corpo in linea con la mola che ruota e neppure dietro di essa.** Quando la mola si muove nella direzione di allontanamento dal corpo, il possibile rimbalzo può spingere la mola in rotazione e l'elettrotensile proprio verso di sé.
- ◆ **Se il disco si inceppa, oppure quando, per una qualsiasi ragione, si interrompe l'operazione di taglio, spegnere l'elettrotensile e tenerlo fermo nel pezzo fino a quando il disco di arresta del tutto. Non tentare mai di rimuovere il disco da taglio mentre la mola è in movimento, altrimenti può rimbalzare.** Esaminare e prendere azioni correttive per eliminare le cause che inceppano la lama.

- ◆ **Non riprendere l'operazione di taglio nel pezzo. Far raggiungere la massima velocità alla mola e poi rientrare con attenzione nel taglio.** La mola può incepparsi, scavalcare o rimbalzare se l'elettrotensile elettrico viene riavviato quando ancora è dentro al pezzo in lavorazione.
- ◆ **Pannelli o altri pezzi di grandi dimensioni vanno sorretti per minimizzare il rischio che la mola sia pinzata o che rimbalzi.** I pezzi più grandi tendono a incurvarsi sotto il loro stesso peso. Devono essere collocati dei supporti sotto al pezzo da entrambi i lati, vicino la linea di taglio e alle estremità del pezzo in lavorazione, da entrambi i lati della mola.
- ◆ **Prestare una maggiore attenzione quando si pratica un "taglio di cavità" in pareti esistenti o in altre zone con scarsa visibilità.** La parte sporgente della mola può tagliare tubi del gas o dell'acqua, cavi elettrici o anche oggetti che possono provocare il rimbalzo.

Avvisi di sicurezza specifici per le operazioni di carteggiatura

- ◆ **Non usare carta vetrata di dimensioni eccessive. Seguire i consigli del fabbricante quando si sceglie la carta vetrata.** Una carta vetrata che sporga oltre il tampone del disco presenta il rischio di lacerazioni e può restare impigliata, strappare la mola o rimbalzare indietro.

Avvisi di sicurezza specifici per le operazioni di lucidatura

- ◆ **Non lasciare che né le parti allentate della cuffia di lucidatura né le cordicelle di fissaggio girino liberamente. Riavvolgere o tagliare eventuali cordicelle di fissaggio pendenti.** Le cordicelle pendenti o rotanti possono intrappolare le dita dell'operatore o impigliarsi sul pezzo da lavorare.

Avvisi di sicurezza specifici per le operazioni con la spazzola in acciaio

- ◆ **Essere consapevoli del fatto che la spazzola potrebbe far volare via in acciaio perfino durante il funzionamento normale. Non sforzare le setole con un eccessivo carico sulle spazzola.** Le setole metalliche penetrano facilmente gli abiti leggeri e/o la pelle.
- ◆ **Se è consigliato l'uso di una protezione per la spazzolatura con spazzola in acciaio, non lasciare che la spazzola o il disco in acciaio vengano a contatto della protezione.** Il diametro del disco o della spazzola in acciaio potrebbe aumentare a causa del carico di lavoro e delle forze centrifughe.



Avvertenza! Il contatto o l'inalazione della polvere generata dalla carteggiatura/smerigliatura potrebbe nuocere alla salute dell'operatore e delle eventuali altre persone presenti. Indossare una mascherina antipolvere specifica per polveri e fumi e accertarsi che anche le persone presenti nell'area di lavoro o che vi entrano siano adeguatamente protetti.

Sicurezza altrui

- ◆ Questo elettrotensile non è destinato all'uso da parte di persone (compresi i bambini) con capacità fisiche, sensoriali o mentali ridotte, o prive di esperienza e conoscenze, salvo che non siano sottoposte a sorveglianza o ricevano istruzioni riguardo all'uso dell'apparecchio da parte di una persona responsabile della loro sicurezza.
- ◆ I bambini devono essere sorvegliati per assicurarsi che non giochino con l'elettrotensile.

Rischi residui

L'utilizzo dell'elettrotensile può comportare rischi residui non necessariamente riportati nelle presenti avvertenze di sicurezza. Tali rischi possono sorgere a seguito di un uso prolungato o improprio, ecc.

Malgrado il rispetto delle norme di sicurezza pertinenti e l'implementazione di dispositivi di sicurezza, alcuni rischi residui non possono essere evitati. Sono inclusi:

- ◆ lesioni causate o subite a seguito del contatto con parti rotanti/in movimento;
- ◆ lesioni subite durante la sostituzione di parti, lame o accessori;
- ◆ lesioni causate dall'impiego prolungato di un elettrotensile (quando si utilizza qualsiasi apparecchio per lunghi periodi, accertarsi di fare regolarmente delle pause);
- ◆ menomazioni uditive;
- ◆ rischi per la salute causati dall'aspirazione di polveri generate durante l'uso dell'elettrotensile (ad esempio quando si lavora con il legno, in modo particolare quello di quercia, faggio o l'MDF).

Vibrazioni

I valori dichiarati delle emissioni di vibrazioni al paragrafo Dati tecnici e nella Dichiarazione di conformità del presente manuale sono stati misurati in base al metodo di test standard previsto dalla normativa EN 60745 e possono essere usati come parametri di confronto tra due utensili. Il valore delle emissioni di vibrazioni dichiarato può anche essere usato come valutazione preliminare dell'esposizione.

Avvertenza! Il valore delle emissioni di vibrazioni durante l'impiego effettivo dell'elettrotensile può variare da quello dichiarato a seconda delle modalità d'uso. Il livello delle

vibrazioni può aumentare oltre quello dichiarato. Quando si valuta l'esposizione alle vibrazioni per determinare le misure di sicurezza richieste dalla normativa 2002/44/CE destinata alla protezione delle persone che utilizzano regolarmente elettrotensili per lo svolgimento delle proprie mansioni, è necessario prendere in considerazione le condizioni effettive di utilizzo e il modo in cui l'elettrotensile viene usato, oltre che tenere conto di tutte le componenti del ciclo operativo, vale a dire i periodi in cui l'elettrotensile rimane spento, quelli in cui è acceso ma fermo e quelli in cui viene effettivamente utilizzato.

Etichette sull'elettrotensile

Sull'elettrotensile compaiono i seguenti pittogrammi:



Avvertenza! Per ridurre il rischio di infortuni, l'utilizzatore deve leggere il manuale di istruzioni.



Indossare occhiali di sicurezza quando si usa l'elettrotensile.



Indossare otoprotezioni quando si usa l'elettrotensile.

Istruzioni di sicurezza aggiuntive per batterie e caricabatterie

Batteria (solo nel modello BCG720M1)

- ◆ Non tentare mai di aprire la batteria per alcun motivo.
- ◆ Non lasciare che la batteria si bagni.
- ◆ Non conservare la batteria in luoghi dove la temperatura potrebbe superare 40 °C.
- ◆ Caricare la batteria solo in ambienti con temperature comprese tra 10°C e 40°C.
- ◆ Caricare la batteria utilizzando esclusivamente il caricabatterie fornito con l'elettrotensile.
- ◆ Quando si smaltiscono le batterie, seguire le istruzioni riportate al capitolo "Protezione dell'ambiente".



Non tentare di caricare batterie danneggiate.

Batteria (solo nel modello BCG720M1)

- ◆ Usare l'alimentatore BLACK+DECKER solo per caricare la batteria nell'apparecchio con il quale è stato fornito. Altre batterie potrebbero scoppiare causando lesioni alle persone e danni alle cose.
- ◆ Non tentare mai di caricare batterie non ricaricabili.
- ◆ Fare sostituire immediatamente i fili di alimentazione difettosi.
- ◆ Non lasciare che il caricabatterie si bagni.
- ◆ Non aprire il caricabatterie.
- ◆ Non collegare il caricabatterie a sonde.



Il caricabatterie è destinato all'uso in ambienti chiusi.



Leggere il presente manuale d'uso prima dell'impiego.

Sicurezza elettrica



Il doppio isolamento di cui è provvisto il caricabatterie rende superfluo il filo di terra. Controllare sempre che la tensione di rete corrisponda a quella indicata sulla targhetta dei valori nominali. Non tentare mai di sostituire il caricabatterie con una spina elettrica tradizionale.

- ◆ In caso di danneggiamento del cavo di alimentazione è necessario farlo riparare dal fabbricante o presso un centro assistenza BLACK+DECKER autorizzato in modo da evitare pericoli.

Caratteristiche

Questo apparecchio presenta alcune o tutte le seguenti caratteristiche.

1. Pulsante di sblocco di sicurezza
2. Grilletto di azionamento
3. Impugnatura laterale
4. Blocco dell'alberino
5. Protezione per smerigliatura
6. Mola per smerigliatura
7. Portello del vano batteria
8. Batteria (solo nel modello BCG720M1)

Carica della batteria (Fig. A)

I caricabatterie BLACK+DECKER sono progettati per caricare le batterie BLACK+DECKER.

- ◆ Collegare il caricabatterie (9) a una presa di corrente adatta prima di inserire la batteria (8).
- ◆ Inserire la batteria (8) nel caricabatterie, assicurandosi che sia completamente incastrata in sede nelle apposite scanalature (Figura A).



Il LED (9a) lampeggia mentre la carica è in corso.




Quando la carica è completa il LED rimane acceso fisso. Il pacco batteria è completamente carico e può essere utilizzato immediatamente o lasciato nel caricabatterie.

- ◆ Ricaricare le batterie scariche al più presto dopo l'uso, altrimenti la loro durata potrebbe diminuire notevolmente. Per la massima durata delle batterie, non lasciarle scaricare completamente. Consigliamo di ricaricare le batterie dopo ciascun impiego.

Diagnostica del caricabatterie (Fig. B)


Questo caricabatterie è progettato per rilevare alcuni problemi che possono insorgere con le batterie o la rete elettrica. I problemi sono indicati da un LED che lampeggia secondo schemi differenti.

Batteria guasta

 Il caricabatterie in grado di rilevare una batteria scarica o danneggiata. Il LED lampeggia secondo lo schema indicato sull'etichetta. Se compare questo schema di batteria guasta, non continuare a caricare la batteria.

Portarla presso un centro di assistenza o un sito di raccolta per il riciclaggio.

Ritardo per pacco batteria caldo/freddo

 Quando il caricabatterie rileva una batteria troppo calda o troppo fredda avvia automaticamente la funzione di ritardo pacco caldo/freddo, sospendendo la carica finché la batteria non ha raggiunto la temperatura normale. Dopo di ciò, il caricabatterie passa automaticamente alla modalità di ricarica del pacco batterie. Questa funzione garantisce la massima durata della batteria. Il LED lampeggia secondo lo schema indicato sull'etichetta.

Batteria lasciata nel caricabatterie

Il caricabatterie e la batteria possono essere lasciati collegati alla rete elettrica con il LED sempre acceso. Il caricabatterie manterrà il pacco batteria come nuovo e completamente carico. Questo caricabatterie è dotato di una modalità di messa a punto, che eguaglia o bilancia le singole celle del pacco batteria, in modo che possa funzionare alla capacità di picco. I pacchi batteria devono essere messi a punto una volta a settimana oppure ogni volta che la batteria non fornisce più la stessa quantità di corrente. Per utilizzare la modalità di messa a punto automatica inserire il pacco nel caricabatterie e lasciarcele per almeno 8 ore.

Note importanti riguardanti la carica

- ◆ È possibile ottenere la massima durata e le migliori prestazioni se il pacco batteria è carico e la temperatura dell'aria è di 18 °C - 24 °C. NON caricare il pacco batteria se la temperatura dell'aria è inferiore ai +4,5 °C o superiore a +40 °C. Questa precauzione è importante per prevenire gravi danni al pacco batteria.
- ◆ Il caricabatterie e il pacco batteria possono diventare caldi al tatto durante la carica. È un fatto normale che non indica la presenza di problemi. Per facilitare il raffreddamento del pacco batteria dopo l'uso, evitare di posizionare il caricabatterie o il pacco batteria in un ambiente caldo, come ad esempio all'interno di un capannone di metallo o di un rimorchio non isolato.

- ◆ Se il pacco batteria non si ricarica correttamente:
 - ◆ controllare l'effettivo funzionamento della presa collegandovi una lampada o un apparecchio simile;
 - ◆ verificare se la presa è collegata a un interruttore dell'impianto di illuminazione e si spegne quando si spegne la luce;
 - ◆ spostare il caricabatterie e il pacco batteria in un luogo dove la temperatura dell'aria circostante è di circa 18 °C - 24 °C.
- ◆ Se i problemi di carica persistono, portare l'elettrotensile, la batteria e il caricabatterie presso il centro di assistenza di zona.
- ◆ La batteria deve essere sostituita se non riesce a produrre energia a sufficienza per svolgere lavori che prima venivano eseguiti con facilità. NON CONTINUARE a usarlo in queste condizioni. Seguire la procedura di carica. È anche possibile caricare un pacco batteria parzialmente utilizzato ogni volta che si desidera senza alcun effetto negativo sul pacco batteria stesso.
- ◆ Materiali estranei di natura conduttiva come, a titolo esemplificativo ma non esaustivo, polvere di smerigliatura, schegge metalliche, lana di acciaio, lamine di alluminio o qualsiasi accumulo di particelle metalliche, dovrebbero essere eliminati dalle cavità del caricabatterie. Staccare il caricabatterie dalla presa di corrente prima di pulirlo.
- ◆ Non immergere nessuna parte del caricabatterie in acqua o altri liquidi.

Montaggio e rimozione della batteria (Figg. C e D)

- ◆ Per montare la batteria (8), allinearla all'apposito vano sull'elettrotensile (7). Infilare il pacco batteria nell'apposito vano e premerlo fino a quando si aggancia in sede.
- ◆ Per estrarre la batteria, premere il pulsante di rilascio (8a) estraendo nel contempo la batteria dal rispettivo vano.

Assemblaggio

Avvertenza! Prima di montare l'accessorio, assicurarsi che l'elettrotensile sia spento e che la batteria sia stata rimossa.

Montaggio e smontaggio della lama (Figg. E, F e G)

L'elettrotensile è dotato di protezione adatta solo alle operazioni di smerigliatura (tipo 27). Se deve invece essere usato per il taglio, è necessario montare una protezione specifica, idonea a tale operazione (tipo 41). Una protezione adeguata con codice pezzo 1004702-44 (per disco di taglio da 125 mm) è disponibile e può essere reperita presso i centri di assistenza BLACK+DECKER.

- ◆ Appoggiare l'elettrotensile su di un tavolo, con l'alberino (11) rivolto verso l'alto.
- ◆ Rilasciare il gancio di serraggio e tenere la protezione sopra l'elettrotensile come illustrato nella Figura E.

- ◆ Allineare le linguette (5a) alle tacche (10), come illustrato nella Figura F.
- ◆ Premere la protezione verso il basso e ruotarla in senso antiorario fino alla posizione richiesta, come illustrato nella Figura G.
- ◆ Serrare le vite del dispositivo di chiusura della protezione per fissare la protezione all'elettrotensile.
- ◆ Se necessario, serrare le vite per aumentare la forza di serraggio.

Smontaggio

- ◆ Allentare le vite del dispositivo di chiusura della protezione.
- ◆ Ruotare la protezione in senso orario per allineare le linguette (5a) alle tacche (10).
- ◆ Rimuovere la protezione dall'elettrotensile.

Avvertenza! Non usare mai l'elettrotensile senza la protezione.

Montaggio dell'impugnatura laterale

- ◆ Avvitare l'impugnatura laterale (3) in uno dei fori di fissaggio nell'elettrotensile.

Avvertenza! Usare sempre l'impugnatura laterale.

Montaggio e rimozione delle mole abrasive e da taglio o dei tamponi per carteggiatura (Figg. H, I, J, K, L)

Usare sempre il corretto tipo di mola per la propria applicazione. Usare sempre mole con diametro e alesaggio di misura corretta (vedere i Dati tecnici).

Montaggio

- ◆ Montare la protezione come descritto qui sopra.
- ◆ Appoggiare la flangia interna (12) sull'alberino (11) come illustrato nella Figura H. Verificare che la flangia sia correttamente collocata sui lati piatti dell'alberino.
- ◆ Collocare la mola (6) sull'alberino (11) come illustrato nella Figura H. Se il centro della mola è convesso, assicurarsi che la parte centrale convessa sia rivolta verso la flangia interna.
- ◆ Verificare che la mola si centri correttamente sulla flangia interna.
- ◆ Appoggiare la flangia esterna (14) sull'alberino. Quando si monta una mola, la parte centrale convessa sulla flangia esterna deve essere rivolta verso la mola (A nella Fig. I). Quando si monta una mola da taglio, la parte centrale convessa sulla flangia esterna deve essere rivolta dalla parte opposta alla mola (B nella Fig. I).
- ◆ Tenere premuto il blocco dell'alberino (4) e serrare la flangia esterna usando la chiave a due perni (16) (Fig. J).

Smontaggio

- ◆ Tenere premuto il blocco dell'alberino (4) e allentare la flangia esterna (14) usando la chiave a due perni (16) (Fig. J).
- ◆ Rimuovere la flangia esterna (14) e la mola (6).

Smerigliatura superficiale con mole abrasive

- ◆ Far raggiungere la massima velocità all'elettrotensile prima di toccare la superficie in lavorazione.
- ◆ Applicare una minima pressione sulla superficie in lavorazione, lasciando funzionare l'elettrotensile a velocità elevata. La velocità di smerigliatura è al massimo quando l'elettrotensile funziona ad alta velocità.
- ◆ Mantenere un angolo di 20 - 30° tra l'elettrotensile e la superficie in lavorazione, come mostrato nella Figura L.
- ◆ Spostare continuamente l'elettrotensile con un movimento avanti e indietro per evitare di creare squarci nella superficie in lavorazione.
- ◆ Rimuovere l'elettrotensile dalla superficie in lavorazione prima di spegnerlo. Attendere che la rotazione dell'elettrotensile si arresti prima di appoggiarlo.

Smerigliatura dei bordi con le mole

Le mole usate per il taglio e la smerigliatura dei bordi potrebbero rompersi o dare dei contraccolpi se si piegano o ruotano durante il taglio o la smerigliatura in profondità. La smerigliatura/taglio dei bordi con una mola di Tipo 27 devono essere limitati a un taglio superficiale e intaglio, a meno di 13 mm di profondità quando la mola è nuova. Ridurre la profondità del taglio/intaglio pari alla riduzione del raggio della mola via via che aumenta l'usura. Consultare la "Tabella degli accessori di smerigliatura e taglio" in fondo a questo manuale per ulteriori informazioni. La smerigliatura/taglio dei bordi con una mola di Tipo 41 richiede l'utilizzo di una protezione di Tipo 41.

- ◆ Far raggiungere la massima velocità all'elettrotensile prima di toccare la superficie in lavorazione.
- ◆ Applicare una minima pressione sulla superficie in lavorazione, lasciando funzionare l'elettrotensile a velocità elevata. La velocità di smerigliatura è al massimo quando l'elettrotensile funziona ad alta velocità.
- ◆ Posizionarsi in modo che il lato inferiore aperto della mola non sia rivolto verso di sé.
- ◆ Una volta che si è iniziato un taglio e creato un intaglio nel pezzo, non cambiare l'angolazione del taglio. Un cambio dell'angolazione di taglio potrebbe far piegare la mola causando la rottura. Le mole per la smerigliatura dei bordi non sono progettate per resistere alle pressioni laterali causate dalla piegatura.
- ◆ Rimuovere l'elettrotensile dalla superficie in lavorazione prima di spegnerlo. Attendere che la rotazione dell'elettrotensile si arresti prima di appoggiarlo.

Avvertenza! non usare le mole per la smerigliatura dei bordi/ mole da taglio per le applicazioni di smerigliatura in superficie se l'etichetta della mola ha proibito un tale uso poiché queste mole non sono progettate per le pressioni laterali riscontrate con la smerigliatura in superficie. Si potrebbero causare la rottura della mola e gravi lesioni personali.

Montaggio e rimozione dei dischi per carteggiatura (Fig. K)

Per la levigatura, è necessario usare un tampone di rinforzo. Tale tampone di rinforzo è reperibile quale accessorio presso il rivenditore BLACK+DECKER di zona.

Montaggio

- ◆ Appoggiare la flangia interna (12) sull'alberino (11) come illustrato nella Fig. K. Verificare che la flangia sia correttamente situata sui lati piatti dell'alberino.
- ◆ Infilare il tampone di rinforzo (18) sull'alberino.
- ◆ Posizionare il disco per carteggiatura (19) sul tampone di rinforzo.
- ◆ Appoggiare la flangia esterna (14) sull'alberino con il centro convesso dalla parte opposta al disco.
- ◆ Tenere premuto il blocco dell'alberino (4) e serrare la flangia esterna usando la chiave a due perni (16) (Fig. J). Verificare che la flangia esterna sia montata correttamente e che il disco sia serrato saldamente.

Smontaggio

- ◆ Tenere premuto il blocco dell'alberino (4) e allentare la flangia esterna (14) usando la chiave a due perni (16) (Fig. J).
- ◆ Smontare la flangia esterna (14), il disco per carteggiatura (19) e il tampone di rinforzo (18).

Finitura delle superficie con i dischi per carteggiatura

- ◆ Far raggiungere la massima velocità all'elettrotensile prima di toccare la superficie in lavorazione.
- ◆ Applicare una minima pressione sulla superficie in lavorazione, lasciando funzionare l'elettrotensile a velocità elevata. La velocità di levigatura è al massimo quando l'elettrotensile funziona ad alta velocità.
- ◆ Mantenere un angolo di 5° - 10° tra l'elettrotensile e la superficie in lavorazione, come illustrato nella Figura M.
- ◆ Spostare continuamente l'elettrotensile con un movimento avanti e indietro per evitare di creare squarci nella superficie in lavorazione.
- ◆ Rimuovere l'elettrotensile dalla superficie in lavorazione prima di spegnerlo. Attendere che la rotazione dell'elettrotensile si arresti prima di appoggiarlo.

Impiego dei tamponi di rinforzo per la levigatura

Scegliere sempre platorelli con una grana adatta alla propria applicazione. I platorelli sono disponibili in varie grane. Le grane più grosse hanno una velocità di rimozione del materiale superiore e una finitura più grezza. Le grane più fini hanno una velocità di rimozione del materiale inferiore e una finitura più uniforme. Iniziare con i platorelli a grana grossa per una rapida rimozione grezza del materiale. Passare a un disco per carteggiatura a grana media e finire con uno a grana fine per una finitura ottimale.

- ◆ Grana grossa = 16 - 30.
- ◆ Grana media = 36 - 80.
- ◆ Grana di finitura fine = 100 - 120.
- ◆ Grana di finitura molto fine = 150 - 180.
- ◆ Far raggiungere la massima velocità all'elettrotensile prima di toccare la superficie in lavorazione.
- ◆ Applicare una minima pressione sulla superficie in lavorazione, lasciando funzionare l'elettrotensile a velocità elevata. La velocità di levigatura è al massimo quando l'elettrotensile funziona ad alta velocità.
- ◆ Mantenere un angolo di 5° - 10° tra l'elettrotensile e la superficie di in lavorazione, come illustrato nella Figura N. Il disco per carteggiatura deve entrare in contatto con circa 25 mm della superficie in lavorazione.
- ◆ Spostare l'elettrotensile costantemente in linea retta per impedire lasciare segni di bruciatura e impronte circolari sulla superficie in lavorazione. Se l'elettrotensile viene lasciato appoggiato sulla superficie in lavorazione senza spostarlo, o se si sposta l'elettrotensile con un movimento circolare, è possibile lasciare segni di bruciatura e impronte circolari sulla superficie in lavorazione.
- ◆ Rimuovere l'elettrotensile dalla superficie in lavorazione prima di spegnerlo. Attendere che la rotazione dell'elettrotensile si arresti prima di appoggiarlo.

Precauzioni da prendere durante la carteggiatura di superfici verniciate

- ◆ La carteggiatura di vernici a base di piombo **NON** è **CONSIGLIATA** per via delle difficoltà che presenta il controllo delle polveri contaminate. I bambini e le donne in stato interessante sono i soggetti più a rischio di avvelenamento da piombo.
- ◆ Siccome è difficile determinare se una vernice contiene piombo senza un'analisi chimica, consigliamo di attenersi alle seguenti precauzioni per la carteggiatura di superfici verniciate:
 - ◆ Laddove vengano effettuate operazioni di carteggiatura di vernici, non consentire l'accesso all'area di lavoro a bambini e donne in stato interessante finché tutte le operazioni di pulizia non saranno completate.
 - ◆ Tutte le persone che entrano nell'area di lavoro devono indossare una maschera anti-polvere o un respiratore.

Il filtro deve essere sostituito ogni giorno o ogniqualvolta il soggetto presenti difficoltà respiratorie.

Nota: è necessario utilizzare esclusivamente maschere anti-polvere adatte per la lavorazione con le polveri e i fumi delle vernici a base di piombo. Le normali maschere per vernici non offrono questa protezione. Consultare il proprio rivenditore locale per una protezione delle vie respiratorie adeguata.

- ◆ **NON MANGIARE, BERE o FUMARE** nell'area di lavoro per evitare l'ingestione di particelle di vernice contaminata. Gli operai devono lavarsi e cambiarsi PRIMA di mangiare, bere o fumare. Non lasciare residui di cibi, bevande o fumo nell'area di lavoro, dove è possibile che si accumulino la polvere.
- ◆ La vernice deve essere rimossa in modo tale da ridurre al minimo la quantità di polvere generata.
- ◆ Le aree dove vengono effettuate operazioni di asportazione della vernice devono essere sigillate con rivestimenti in plastica dello spessore di 4 mm.
- ◆ La carteggiatura deve essere eseguita in modo tale da ridurre le tracce di polvere di vernice al di fuori dell'area di lavoro.
- ◆ È necessario aspirare e pulire accuratamente ogni giorno tutte le superfici nell'area di lavoro per tutta la durata del progetto di levigatura. I sacchetti del filtro dell'aspirapolvere devono essere cambiati regolarmente.
- ◆ Gli stracci utilizzati durante la lavorazione devono essere raccolti e smaltiti insieme ai residui della polvere o a qualsiasi altro detrito prodotto dall'asportazione. Tali residui devono essere riposti in contenitori di scarto sigillati e smaltiti tramite le regolari procedure di raccolta dei rifiuti. Durante le operazioni di pulizia, è necessario tenere i bambini e le donne in stato interessante lontano dall'area di lavoro.
- ◆ Tutti i giocattoli, i mobili lavabili e gli utensili utilizzati dai bambini devono essere lavati accuratamente prima di essere riutilizzati.

Montaggio e utilizzo di spazzole di ferro e mole a spazzola

Le spazzole metalliche o le mole a spazzola si avviano direttamente sull'alberino della smerigliatrice senza l'uso di flange. È necessaria una protezione di Tipo 27 durante l'uso di spazzole metalliche e mole a spazzola. Indossare guanti di protezione quando si maneggiano spazzole di ferro e mole. Possono essere affilate. La mola o la spazzola non deve toccare la protezione una volta montata o durante l'uso. Potrebbero conseguire dei danni non visibili all'accessorio, causando la frattura delle parti metalliche dalla mola o dalla lamella dell'accessorio.

- ◆ Filettare la mola sull'alberino manualmente.

- ◆ Premere il tasto di blocco dell'alberino e utilizzare una chiave sul mozzo della mola o spazzola di ferro per serrare la mola.
- ◆ Per rimuovere la mola, invertire la procedura descritta sopra.

Avvertenza! Se il mozzo della mola non viene insediato correttamente prima dell'accensione dell'elettrotensile potrebbero verificarsi danni all'elettrotensile o alla mola. Le mole a spazzola e le spazzole vengono utilizzate per la rimozione di ruggine, incrostazioni e vernice, e per levigare le superfici irregolari.

Nota: durante la sverniciatura con spazzola in acciaio, adottare le medesime precauzioni osservate per la levigatura della vernice.

- ◆ Far raggiungere la massima velocità all'elettrotensile prima di toccare la superficie in lavorazione.
- ◆ Applicare una minima pressione sulla superficie in lavorazione, lasciando funzionare l'elettrotensile a velocità elevata. La velocità di rimozione del materiale è al massimo quando l'elettrotensile funziona ad alta velocità.
- ◆ Quando si usano le spazzole a tazza in acciaio, mantenere un angolo di 5° - 10° tra l'elettrotensile e la superficie in lavorazione, come mostrato nella Figura O.
- ◆ Mantenere il contatto tra il bordo della mola e la superficie in lavorazione con le mole a spazzola.
- ◆ Spostare continuamente l'elettrotensile con un movimento avanti e indietro per evitare di creare squarci nella superficie in lavorazione. Se l'elettrotensile viene lasciato appoggiato sulla superficie in lavorazione senza spostarlo, o se si sposta l'elettrotensile con un movimento circolare, è possibile lasciare segni di bruciatura e impronte circolari sulla superficie in lavorazione.
- ◆ Rimuovere l'elettrotensile dalla superficie in lavorazione prima di spegnerlo. Attendere che la rotazione dell'elettrotensile sia terminata prima di appoggiarlo.

Avvertenza! prestare particolare attenzione durante la lavorazione su un bordo, siccome è possibile che si verifichi un movimento brusco improvviso della smerigliatrice.

Montaggio e uso delle mole da taglio (Tipo 41)

Le mole da taglio comprendono dischi diamantati e dischi abrasivi. Sono disponibili mole da taglio abrasivi per l'uso su metallo e calcestruzzo. È possibile utilizzare anche lame diamantate per il taglio del calcestruzzo.

NOTA: una protezione della mola chiusa e bilaterale di Tipo 41 è venduta separatamente e necessaria durante l'utilizzo delle mole da taglio. Il mancato utilizzo della flangia e della protezione corrette può provocare lesioni risultanti dalla rottura e dal contatto con la mola. È necessario utilizzare una flangia di sostegno e un dado di serraggio filettato di diametro pari (in dotazione con l'elettrotensile) per le mole da taglio.

Montaggio delle mole di taglio

- ◆ Posizionare la flangia di sostegno non filettata sull'alberino con la sezione convessa (pilota) rivolta verso l'alto. La sezione convessa (pilota) sulla flangia di sostegno sarà appoggiata contro la mola quando quest'ultima viene inserita.
- ◆ Posizionare la mola sulla flangia di sostegno, centrando la mola sulla sezione convessa (pilota).
- ◆ Inserire il dado di serraggio filettato con la sezione convessa (pilota) rivolta dalla parte opposta alla mola.
- ◆ Premere il tasto di blocco dell'alberino e serrare il dado di serraggio con la chiave in dotazione (16).
- ◆ Per rimuovere la mola, premere il tasto di blocco dell'alberino e allentare il dado di serraggio filettato con la chiave in dotazione.

Avvertenza! non usare le mole per la smerigliatura dei bordi/mole da taglio per le applicazioni di smerigliatura in superficie poiché queste mole non sono progettate per le pressioni laterali riscontrate con la smerigliatura in superficie. Si potrebbero causare la rottura della mola e lesioni.

- ◆ Far raggiungere la massima velocità all'elettrodomestico prima di toccare la superficie in lavorazione.
- ◆ Applicare una minima pressione sulla superficie in lavorazione, lasciando funzionare l'elettrodomestico a velocità elevata. La velocità di taglio è al massimo quando l'elettrodomestico funziona ad alta velocità.
- ◆ Una volta che si è iniziato un taglio e creato un intaglio nel pezzo, non cambiare l'angolazione del taglio. Un cambio dell'angolazione di taglio potrebbe far piegare la mola causandone la rottura.
- ◆ Rimuovere l'elettrodomestico dalla superficie in lavorazione prima di spegnerlo. Attendere che la rotazione dell'elettrodomestico sia terminata prima di appoggiarlo.

Utilizzo

Avvertenza! Lasciare che l'elettrodomestico funzioni al suo ritmo. Non sovraccaricarlo.

- ◆ Aspettarsi tutta una serie di scintille quando la mola tocca il pezzo in lavorazione.
- ◆ Posizionare sempre l'elettrodomestico in modo che la protezione possa proteggere in modo ottimale dalla mola.

Accensione e spegnimento

- ◆ Per accendere l'elettrodomestico, far scorrere in avanti il blocco di sicurezza (2).
- ◆ Per spegnere l'elettrodomestico, rilasciare blocco di sicurezza (2).

Avvertenza! Non spegnere l'elettrodomestico quando è sotto carico.

Avvertenza! Inserire il blocco di sicurezza quando l'elettrodomestico non è in uso.

Consigli per un utilizzo ottimale

- ◆ Tenere saldamente l'elettrodomestico con una mano sull'impugnatura laterale e l'altra su quella principale.
- ◆ Durante la smerigliatura, mantenere sempre un angolo di 20° - 30° circa tra la mola e la superficie del pezzo in lavorazione.

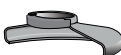



Manutenzione

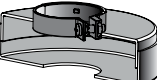
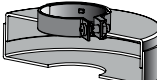






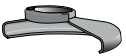
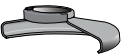




Questo elettrodomestico/elettrodomestico BLACK+DECKER, con o senza filo, è stato progettato per funzionare a lungo con una manutenzione minima. Prestazioni sempre soddisfacenti dipendono da una cura appropriata e da una pulizia regolare.

Avvertenza! Prima di eseguire interventi di manutenzione su elettrodomestici con o senza filo procedere come descritto di seguito.

- ◆ Spegnerne e scollegare l'elettrodomestico dalla presa di corrente.
- ◆ Oppure spegnere ed estrarre la batteria se l'apparecchio/elettrodomestico è dotato di un pacco batteria separata.
- ◆ Oppure scaricare completamente la batteria, se è di tipo integrale, quindi spegnerlo.
- ◆ Scollegare il caricabatterie prima di pulirlo. Il caricabatterie non richiede nessuna manutenzione, salvo una regolare pulizia.
- ◆ Pulire regolarmente le prese di ventilazione dell'apparecchio/elettrodomestico/alimentatore con un pennello o con un panno morbido e asciutto.
- ◆ Il vano del motore deve essere pulito regolarmente con un panno umido. Non usare materiali abrasivi o detersivi a base di solventi.

Tabella degli accessori di smerigliatura e taglio

Mole abrasive	
 Protezione Tipo 27	 Protezione Tipo 27
 Flangia di sostegno non filettata	
 Mola con centro concavo Tipo 27	 Mola con mozzo Tipo 27
 Dado di serraggio filettato	
Dischi lamellari per carteggiatura	
 Protezione Tipo 27	 Protezione Tipo 27
 Disco lamellare per carteggiatura con mozzo	 Flangia di sostegno non filettata
	 Disco lamellare per carteggiatura senza mozzo
	 Dado di serraggio filettato

Mole da taglio Tipo 41	
 Protezione Tipo 41	 Protezione Tipo 41
 Flangia di rinforzo	 Flangia di rinforzo
 Mola da taglio abrasiva	 Mola da taglio diamantata
 Dado di serraggio	 Dado di serraggio
Spazzole in acciaio	
 Protezione Tipo 27	 Protezione Tipo 27
 Spazzola a tazza metallica da 3 pollici	 Spazzola a tazza metallica da 4 pollici
Dischi per carteggiatura	
 Tamponi di rinforzo in gomma	
 Dischi per carteggiatura	
 Dado di serraggio filettato	

Protezione dell'ambiente



Raccolta differenziata. I prodotti e le batterie contrassegnati con questo simbolo non devono essere smaltiti con i rifiuti domestici normali.

Essi contengono materiali che possono essere recuperati o riciclati, riducendo la richiesta di materie prime.

Riciclare i prodotti elettrici e le batterie attenendosi alle disposizioni locali vigenti. Ulteriori informazioni sono disponibili all'indirizzo www.2helpU.com.

Dati tecnici

		BCG720 M1	BCG720 N
Tensione in ingresso	V _{DC}	18	18
Velocità nominale (A vuoto)	min ⁻¹	8600	8600
Alesaggio mola	mm	22	22
Spessore max. mola			
Mola per smerigliatura	mm	6	6
Mole da taglio	mm	3,5	3,5
Misura alberino		M14	M14
Peso	kg	2,1 senza la batteria e la mola	2,1 senza la batteria e la mola
Batteria		BL4018	Unità nuda (senza batteria)
Tensione	V _{DC}	18	
Capacità	Ah	4,0	
Tipo		Agli ioni di litio	
Caricabatterie		9059995*	Unità nuda (senza batteria)
Tensione in ingresso	V _{AC}	230	
Tensione erogata	V _{DC}	18	
Corrente	A	1,0	
Tempo di carica approssimativo	Ore	4	

Livello di pressione sonora misurato in base a EN 60745:

Pressione sonora (L_{pa}) 76 dB(A), incertezza (K) 4 dB(A)

Potenza acustica (L_{wa}) 87 dB(A), incertezza (K) 4 dB(A)

Valori totali di emissione di vibrazioni (somma vettoriale triassiale) in conformità alla norma EN 60745:

Smerigliatura di superficie (a_{h,co}): 7,3 m/s², K=1,5 m/s².
 Carteggiatura (a_{h,co}): 1,9 m/s², K=1,5 m/s².
 Carteggiatura (a_{h,co}): 8,6 m/s², K=2,4 m/s².
 Spazzolatura con spazzola metallica (a_{h,co}): 3,8 m/s², K=1,5 m/s².
 Taglio (a_{n,co}): 4,0 m/s², K=1,5 m/s².

Dichiarazione di conformità CE

DIRETTIVA MACCHINE



Smerigliatrice angolare BCG720

Black & Decker dichiara che i prodotti descritti al capitolo "Dati tecnici" sono conformi a:

2006/42/EC, EN 60745-1:2009+A11:2010;

EN 60745-2-3:2011 + A2:2013+A11:2014

+A12:2014+A13:2015

Questi prodotti sono conformi alla Direttiva 2014/30/UE e 2011/65/UE.

Per maggiori informazioni contattare Black & Decker al seguente indirizzo oppure consultare l'ultima di copertina del manuale.

Il sottoscritto è responsabile della redazione del presente documento tecnico ed effettua questa dichiarazione per conto di Black & Decker.

R. Laverick Direttore del Dipartimento tecnico Black & Decker Europe, 210 Bath Road, Slough, Berkshire, SL1 3YD Regno Unito 10/01/2018

Garanzia

Black & Decker è certa della qualità dei propri prodotti e offre ai consumatori una garanzia di 24 mesi dalla data di acquisto. Il presente certificato di garanzia è complementare ai diritti legali e non li pregiudica in alcun modo. La garanzia è valida nei territori degli Stati membri dell'Unione Europea o dell'EFETA (Associazione europea di libero scambio).

Per attivare la garanzia, la richiesta di intervento e riparazione in garanzia deve essere effettuata in accordo con i Termini e condizioni Black & Decker e sarà necessario presentare la prova di acquisto al venditore o all'agente di riparazione autorizzato. I Termini e condizioni della garanzia Black & Decker di 2 anni e la sede dell'agente di riparazione autorizzato più vicino sono consultabili su Internet all'indirizzo www.2helpU.com oppure è possibile contattare l'ufficio Black & Decker di zona all'indirizzo indicato in questo manuale.

Visitare il nostro sito web www.blackanddecker.it per registrare il prodotto Black & Decker appena acquistato e ricevere gli aggiornamenti su nuovi prodotti e offerte speciali.

Bedoeld gebruik

De haakse slijper BLACK+DECKER BCG720 M1, BCG720 N is ontworpen voor het slijpen en zagen van metaal en steen met behulp van het geschikte type slijp- of snijnschijf en het gereedschap moet worden voorzien van de juiste beschermkap. Dit gereedschap is uitsluitend bestemd voor consumentengebruik.

Veiligheidsinstructies

Algemene veiligheidswaarschuwingen voor elektrisch gereedschap



Waarschuwing! Lees alle veiligheidsinstructies en alle instructies. Wanneer de volgende waarschuwingen en voorschriften niet in acht worden genomen, kan dit een elektrische schok, brand of ernstig letsel tot gevolg hebben.

Bewaar alle waarschuwingen en instructies als referentiemateriaal.

De hierna gebruikte term 'elektrisch gereedschap' in alle waarschuwingen die hieronder worden vermeld, heeft betrekking op elektrisch gereedschap voor gebruik op netspanning (met netsnoer) of met een accu (snoerloos).

1. Veilige werkomgeving

- Houd uw werkomgeving schoon en goed verlicht.** Op rommelige of donkere plekken zullen sneller ongelukken gebeuren.
- Werk niet met elektrisch gereedschap in een omgeving met explosiegevaar, zoals in de nabijheid van brandbare vloeistoffen, gassen of stof.** Elektrisch gereedschap veroorzaakt vonken die het stof of de dampen kunnen doen ontbranden.
- Houd kinderen en omstanders tijdens het gebruik van elektrisch gereedschap op afstand.** Als u wordt afgeleid, kunt u de controle over het gereedschap verliezen.

2. Elektrische veiligheid

- De netstekker van het elektrisch gereedschap moet in het stopcontact passen. Pas de stekker nooit op enige manier aan. Gebruik geen adapterstekkers in combinatie met geaard elektrisch gereedschap.** Niet-aangepaste stekkers en passende contactdozen verminderen het risico van een elektrische schok.
- Vermijd aanraking van het lichaam met geaarde oppervlakken, bijvoorbeeld buizen, verwarmingen, fornuizen en koelkasten.** Er bestaat een verhoogd risico van een elektrische schok als uw lichaam contact heeft met aarde.

- Stel elektrisch gereedschap niet bloot aan regen en vocht.** Als er water in een elektrisch gereedschap dringt, verhoogt dit het risico van een elektrische schok.
- Behandel het snoer voorzichtig. Gebruik het snoer nooit om het elektrische gereedschap te dragen of naar u toe te trekken, of de stekker uit het stopcontact te halen. Houd het snoer uit de buurt van warmtebronnen, olie, scherpe randen, of bewegende onderdelen.** Beschadigde snoeren of snoeren die in de war zijn geraakt, verhogen het risico van een elektrische schok.
- Gebruik, wanneer u buitenshuis met elektrisch gereedschap werkt, alleen verlengsnoeren die zijn goedgekeurd voor gebruik buitenshuis.** Het gebruik van een verlengsnoer dat geschikt is voor binnen vermindert het risico van een elektrische schok.
- Als u met elektrisch gereedschap werkt op een vochtige locatie, gebruik dan een aardlekschakelaar (RCD).** Het gebruik van een aardlekschakelaar vermindert het risico van een elektrische schok.

3. Persoonlijke veiligheid

- Blijf alert, let goed op wat u doet en ga met verstand te werk bij het gebruik van elektrische gereedschap. Gebruik elektrisch gereedschap niet als u vermoeid bent of onder de invloed van drugs, alcohol of medicatie bent.** Een moment van onoplettendheid tijdens het werken met elektrisch gereedschap kan leiden tot ernstig persoonlijk letsel.
- Draag persoonlijke beschermende uitrusting. Draag altijd oogbescherming.** Beschermende uitrusting, zoals een stofmasker, antislip veiligheidsschoenen, een helm, of gehoorbescherming, gebruikt in de juiste omstandigheden, zal het risico op persoonlijk letsel verminderen.
- Voorkom per ongeluk inschakelen. Controleer dat de schakelaar in de uit-stand staat voordat u het gereedschap aansluit op het stopcontact en/of de accu plaatst en voordat u het gereedschap optilt of gaat dragen.** Het dragen van elektrisch gereedschap met uw vinger op de schakelaar of het aanzetten van elektrisch gereedschap waarvan de schakelaar aan staat, kan leiden tot ongelukken.
- Verwijder instelgereedschap of schroefslutels voordat u het elektrisch gereedschap inschakelt.** Een steekslutel of een inbuslutsel in een draaiend deel van het elektrisch gereedschap kan tot persoonlijk letsel leiden.
- Reik niet buiten uw macht. Blijf altijd stevig en in balans op de grond staan.** Dit geeft u betere controle over het elektrisch gereedschap in onverwachte situaties.
- Draag geschikte kleding. Draag geen loszittende kleding of sieraden. Houd uw haar, kleding en handschoenen uit de buurt van bewegende**

onderdelen. Loszittende kleding, sieraden of lang haar kunnen door bewegende delen worden gegrepen.

- g. **Als voorzieningen voor stofafzuiging of stofopvang kunnen worden gemonteerd, controleer dan dat deze zijn aangesloten en op de juiste wijze worden gebruikt.** Het gebruik van stofafzuiging kan aan stof gerelateerde gevaren verminderen.
 - h. **Word niet gemakzuchtig doordat u door veelvuldig gebruik vertrouwd bent geraakt met het gereedschap, en verlies niet de veiligheidsbeginselen uit het oog.** Een onvoorzichtige handeling kan in een fractie van een seconde ernstig letsel tot gevolg hebben.
4. **Gebruik en onderhoud van elektrisch gereedschap**
 - a. **Overbelast het elektrisch gereedschap niet. Gebruik het juiste elektrisch gereedschap voor uw toepassing.** Met het juiste elektrisch gereedschap kunt u de werkzaamheden waarvoor het gereedschap is ontworpen, beter en veiliger uitvoeren.
 - b. **Gebruik het elektrisch gereedschap niet als de schakelaar niet goed werkt.** Ieder elektrisch gereedschap dat niet met de schakelaar kan worden bediend, is gevaarlijk en moet worden gerepareerd.
 - c. **Trek de stekker uit het stopcontact en/of de accu uit het elektrisch gereedschap voordat u het gereedschap instelt, accessoires wisselt of het elektrische gereedschap opbergt.** Dergelijke preventieve veiligheidsmaatregelen verminderen het risico dat het elektrisch gereedschap per ongeluk wordt gestart.
 - d. **Bewaar elektrisch gereedschap dat niet wordt gebruikt, buiten bereik van kinderen. Laat niet personen die er niet vertrouwd mee zijn en deze aanwijzingen niet hebben gelezen met het gereedschap werken.** Elektrisch gereedschap is gevaarlijk in handen van ongetrainde gebruikers.
 - e. **Onderhoud het gereedschap goed. Controleer dat bewegende delen van het elektrisch gereedschap wel goed functioneren en niet klemmen, en dat er niet onderdelen zodanig zijn gebroken of beschadigd dat de werking van het gereedschap nadelig wordt beïnvloed. Laat het gereedschap voor gebruik repareren als het beschadigd is.** Veel ongelukken worden veroorzaakt door slecht onderhouden elektrisch gereedschap.
 - f. **Houd zaag- en snijgereedschap scherp en schoon.** Goed onderhouden zaaggereedschap met scherpe snijvlakken loopt minder snel vast en is gemakkelijker onder controle te houden.
 - g. **Gebruik elektrisch gereedschap, accessoires, zaagjes en boortjes, enz., volgens deze aanwijzingen. Let daarbij op de arbeidsomstandigheden en de uit te voeren werkzaamheden.** Gebruik van het elektrisch

gereedschap voor werkzaamheden die anders zijn dan bedoeld, kan leiden tot een gevaarlijke situatie.

- h. **Houd de handgrepen droog, schoon en vrij van olie en vet.** Gladde handgrepen en hellende oppervlakken maken het moeilijk het gereedschap veilig te hanteren en onder controle te houden in onverwachte situaties.
5. **Gebruik en onderhoud van accugereedschap**
 - a. **Laad accu's alleen op met de door de fabrikant aanbevolen lader.** Een lader die geschikt is voor het ene type accu, kan een risico van brand doen ontstaan bij gebruik met een andere accu.
 - b. **Gebruik elektrisch gereedschap alleen in combinatie met specifiek vermelde accu's.** Het gebruik van andere accu's kan gevaar voor letsel en brand opleveren.
 - c. **Houd de accu, wanneer u deze niet gebruikt, weg bij andere metalen objecten zoals paperclips, munten, sleutels, spijkers, schroeven of andere kleine metalen voorwerpen die een verbinding tot stand kunnen brengen tussen de ene pool en de andere.** Als kortsluiting tussen de polen van de accu wordt gemaakt, kan dit tot brandwonden of brand leiden.
 - d. **Wanneer de accu slecht wordt behandeld, kan er vloeistof uit de accu spuiten, vermijd contact met deze vloeistof. Als er per ongeluk contact ontstaat, spoel dan met water. Als de vloeistof in de ogen komt, roep dan tevens medische hulp in.** Vloeistof uit de accu kan irritatie en brandwonden veroorzaken.
 - e. **Gebruik niet accu's of gereedschappen die beschadigd zijn of waaraan wijzigingen zijn aangebracht.** Beschadigde of gemodificeerde accu's kunnen zich onvoorspelbaar gedragen wat brand, explosie of een risico van letsel met zich mee kan brengen.
 - f. **Stel een accu of gereedschap niet bloot aan vuur of uitzonderlijk hoge temperaturen.** Blootstelling aan brand of een temperatuur boven 130° C kan explosie tot gevolg hebben.
 - g. **Volg alle instructies voor het opladen en laad de accu of het gereedschap niet bij een temperatuur buiten het temperatuurbereik dat wordt opgegeven in de instructies.** Onjuist opladen of opladen bij temperaturen buiten het opgegeven bereik kan de accu beschadigen en het risico van brand vergroten.
 6. **Service**
 - a. **Laat het gereedschap alleen repareren door gekwalificeerd en vakkundig personeel en alleen met originele vervangingsonderdelen.** De veiligheid van het gereedschap blijft dan gewaarborgd.
 - b. **Voer nooit servicewerkzaamheden uit aan accu's.** Alleen de fabrikant of een geautoriseerd servicecentrum mag servicewerkzaamheden aan accu's uitvoeren.

Aanvullende veiligheidsaanschuwingen voor elektrisch gereedschap



Waarschuwing! Aanvullende aanwijzingen voor de veiligheid voor werkzaamheden als Slijpen, Doorslijpen, Schuren, Polijsten en voor gebruik van de draadborstel:

- ◆ **Dit elektrische gereedschap is bedoeld voor bewerkingen als slijpen, schuren, werken met de draadborstel, polijsten en doorslijpen. Lees alle veiligheidsaanschuwingen, instructies, illustraties en specificaties die bij dit gereedschap zijn meegeleverd.** Het niet opvolgen van alle onderstaande instructies kan leiden tot een elektrische schok, brand en/of ernstig persoonlijk letsel.
- ◆ **Werkzaamheden waarvoor het elektrisch gereedschap niet is ontworpen, kunnen leiden tot gevaarlijke situaties en lichamelijk letsel.**
- ◆ **Gebruik geen accessoires die niet speciaal ontworpen en aanbevolen zijn door de fabrikant van het gereedschap.** Als u een accessoire op uw gereedschap kunt bevestigen, betekent dat nog niet dat u er gegarandeerd veilig mee kunt werken.
- ◆ **Het nominale toerental van het accessoire moet tenminste gelijk zijn aan het maximale toerental zoals dit op het gereedschap staat vermeld.** Accessoires die sneller draaien dan hun nominale toerental, kunnen in stukken breken en deze stukken kunnen worden weggeslingerd.
- ◆ **De buitendiameter en dikte van uw hulpstuk mogen niet groter zijn dan de maximale capaciteit van het elektrische gereedschap.** Hulpstukken die niet de juiste afmetingen hebben, kunnen niet voldoende worden afgeschermd en onder controle worden gehouden.
- ◆ **De schroefdraad van accessoires moet overeenkomen met het schroefdraad van de as van de haakse slijper.** Voor accessoires die zijn gemonteerd door middel van flenzen moet het drevelgat van het accessoire passen bij de plaatsingsdiameter van de flens. Accessoires die niet passen op de bevestigingshardware van het gereedschap zullen uit balans raken en/of extreem trillen en kunnen u de beheersing over het gereedschap doen verliezen.
- ◆ **Gebruik een hulpstuk niet als dit beschadigd is.** Controleer accessoires zoals schuurwielen voor gebruik op schilfers en barstjes, steunkussens op barstjes, scheurtjes of excessieve slijtage, staalborstels op losse of gespleten draden. Als het gereedschap of het accessoire is gevallen, inspecteer het dan op schade of plaats een onbeschadigd accessoire. Nadat u het gereedschap hebt geïnspecteerd en/of een nieuw hulpstuk hebt geïnstalleerd, laat u het gereedschap gedurende een

minuut draaien op maximaal onbelast toerental. Beschadigde accessoires breken gewoonlijk af tijdens deze testtijd.

- ◆ **Draag persoonlijke beschermende uitrusting. Afhankelijk van de toepassing gebruikt u gezichtsbedekking of bescherming van de ogen, zoals een veiligheidsbril. Draag, zo nodig, een stofmasker, gehoorbescherming, handschoenen en een werkschort die kleine afgeschuurde deeltjes of deeltjes van het werkstuk tegenhouden.** De bescherming van de ogen moet rondvliegende deeltjes die door de diverse werkzaamheden vrijkomen, tegen kunnen houden. Het stofmasker of de respirator moet in staat zijn om partikels die voortkomen uit werkzaamheden afdoende te filteren. Langdurige blootstelling aan intense geluiden kan gehoorverlies veroorzaken.
- ◆ **Houd omstanders op veilige afstand van de werkomgeving. Iedereen die het werkgebied betreedt, moet persoonlijke beschermende kleding dragen.** Brokstukken van het werkstuk of van een afgebroken accessoire kunnen wegvliegen en letsel buiten het directe werkgebied veroorzaken.
- ◆ **Houd het gereedschap alleen vast aan geïsoleerde oppervlakken wanneer u een handeling uitvoert waarbij het accessoire van het zaaggereedschap in contact kan komen met verborgen bedrading of het eigen netsnoer.** Wanneer een draad waar spanning op staat, wordt doorgesneden, kunnen ijzeren onderdelen van het gereedschap onder spanning komen te staan en kan de gebruiker een elektrische schok krijgen.
- ◆ **Zet het werkstuk met klemmen of op een andere praktische manier vast en ondersteun het op een stabiele ondergrond.** Wanneer u het werkstuk vasthoudt met de hand of het tegen uw lichaam gedrukt houdt, is het instabiel en kunt u de controle verliezen.
- ◆ **Plaats het netsnoer buiten het bereik van het ronddraaiende accessoire.** Als u de controle verliest, wordt het snoer mogelijk doorgesneden of gegrepen en kan uw hand of arm in het draaiende accessoire worden getrokken.
- ◆ **Leg het gereedschap nooit neer voordat het accessoire volledig tot stilstand is gekomen.** Het ronddraaiende accessoire kan mogelijk in contact met de oppervlakte komen waardoor u de controle over het gereedschap verliest.
- ◆ **Laat het gereedschap niet draaien terwijl u het aan uw zijde draagt.** Wanneer uw kleding per ongeluk bekneld raakt in het ronddraaiende accessoire, kan het accessoire tegen uw lichaam aan worden getrokken.
- ◆ **Maak de ventilatieopeningen van het gereedschap regelmatig schoon.** De ventilator van de motor zuigt het stof in de behuizing en al te grote ophoping van metaaldeeltjes kan een elektrische schok veroorzaken.

- ◆ **Werk niet met het gereedschap in de buurt van ontvlambare materialen.** Vonken kunnen deze materialen doen ontbranden.
- ◆ **Gebruik geen accessoires waarvoor vloeibare koelmiddelen nodig zijn.** Het gebruik van water of andere vloeibare koelmiddelen kan een elektrische schok tot gevolg hebben.

Opmerking: De bovenstaande waarschuwing geldt niet voor apparatuur die speciaal is bedoeld voor gebruik met vloeistofkoeling.

Waarschuwing met betrekking tot terugslag en gerelateerde waarschuwingen

Terugslag is een plotselinge reactie op een ronddraaiend wiel, steunkussen, borstel of ander accessoire dat bekneld of gegrepen wordt. Wanneer dit gebeurt, stopt het hulpstuk zeer plotseling met draaien waardoor de draaiing wordt overgebracht op het gereedschap zelf dat vervolgens op het verbindingspunt naar achteren klapt in een richting tegengesteld aan de draaiing van het hulpstuk.

Als bijvoorbeeld een schuur-schijf wordt gegrepen of bekneld raakt door het werkstuk, kan de rand van schijf die er bij het beknellingpunt ingaat in het oppervlak van het materiaal slaan waardoor de schijf naar buiten loopt of terugslaat. De schijf kan ook in de richting of juist weg van de bediener springen, afhankelijk van de draairichting van de schijf op het moment van beknelling.

Schuurschijven kunnen onder deze omstandigheden ook afbreken.

Terugslag is het gevolg van verkeerd gebruik of onjuiste gebruiksomstandigheden van elektrisch gereedschap. Met geschikte voorzorgsmaatregelen, zoals hieronder zijn beschreven, kan terugslag worden voorkomen.

- ◆ **Blijf de het gereedschap stevig met beide handen vasthouden en plaats uw lichaam en armen zodanig dat u een eventuele terugslag kunt tegenhouden. Maak ook altijd gebruik van de hulphandgreep, indien bijgeleverd, voor maximale controle bij terugslag of torsiereactie tijdens het opstarten.** Met de juiste voorzorgsmaatregelen kunnen gebruikers torsiereactie of terugslagkrachten onder controle houden.
- ◆ **Houd uw hand weg bij het draaiende accessoire.** Het accessoire kan over uw hand terugslaan.
- ◆ **Zorg ervoor dat uw lichaam zich niet op een positie bevindt waar het in aanraking zou kunnen komen in geval van terugslag.** Wanneer terugslag optreedt, beweegt het gereedschap zich in een richting tegengesteld aan de draaiing van het hulpstuk op het moment van beknelling.

- ◆ **Wees extra voorzichtig bij het werken aan hoeken of scherpe randen. Voorkom terugspringen en vastlopen van het accessoire.** In hoeken, op scherpe randen en bij terugspringen kan het ronddraaiende accessoire bekneld raken en kunnen zich verlies van controle of terugslag voordoen.
- ◆ **Gebruik dit gereedschap niet in combinatie met een zaagblad voor houtbewerking of een getand zaagblad.** Dergelijke zaagbladen kunnen herhaaldelijk terugslag en verlies van controle veroorzaken.

Veiligheidswaarschuwingen voor slijpen en schuur- en afkortbewerkingen

- ◆ **Gebruik alleen de voor uw gereedschap aanbevolen schijven en de beschermkap die specifiek is bedoeld voor de geselecteerde schijf.** Wielen waarvoor het elektrische gereedschap niet is ontwikkeld kunnen niet voldoende worden beveiligd en zijn onveilig.
- ◆ **Het slijppoppervlak van schijven met ingedrukt middelpunt moeten onder het vlak van de beveiligingslip worden gemonteerd.** Een schijf die niet goed is gemonteerd en die uitsteekt buiten het vlak van de beveiligingslip, kan niet voldoende worden afgeschermd.
- ◆ **De beschermkap moet stevig worden bevestigd aan het gereedschap en zo worden geplaatst dat maximale veiligheid is gewaarborgd, waarbij een zo klein mogelijk gedeelte van de schijf onafgeschermd is aan de zijde van de gebruiker.** De beschermkap helpt de gebruiker te beschermen tegen afgebroken deeltjes van de schijf en voorkomt dat de gebruiker in contact komt met de schijf en met vonken die kleding in brand kunnen zetten.
- ◆ **Schijven moeten alleen worden gebruikt voor de beoogde toepassingen. Bijvoorbeeld, slijp niet met de zijkant van een afkortschijf.** Schurende afkortschijven zijn bedoeld voor perifeer slijpen; zijwaartse krachten kunnen ertoe leiden dat deze wielen uit elkaar vallen.
- ◆ **Gebruik altijd onbeschadigde flenzen van het juiste formaat en de juiste vorm voor de geselecteerde schijf.** De juiste schijfflenzen ondersteunen de schijf en beperken zo het risico van breuk. Flenzen voor afkortschijven kunnen verschillen van flenzen voor slijpschijven.
- ◆ **Gebruik geen versleten schijven van groter elektrisch gereedschap.** Een schijf die is bedoeld voor groter elektrisch gereedschap is niet geschikt voor de hogere snelheid van een kleiner gereedschap en kan uit elkaar spatten.

Aanvullende veiligheidswaarschuwingen voor slijpen/afkorten

- ◆ **'Duw' niet te hard met de afkortschijf en zet niet te veel druk. Probeer niet zaagsneden te maken die te**

diep zijn. Wanneer u de veel druk uitoefent op de schijf wordt deze teveel belast en is er meer risico op verdraaiing of beknelling van de schijf in de zaagsnede en is er ook meer kans op terugslag of zelfs breken van de schijf.

- ◆ **Zorg ervoor dat uw lichaam niet in één lijn is met de draaiende schijf en ga zo staan dat u niet recht achter de schijf staat.** Wanneer de schijf tijdens het gebruik van u af draait, kunnen de schijf en het gereedschap bij eventuele terugslag mogelijk recht op u af worden geslingerd.
- ◆ **Wanneer het blad vast komt te zitten, of wanneer u het zagen om welke reden dan ook wilt onderbreken, schakelt u het gereedschap uit en houdt u dit zonder te bewegen in het materiaal totdat de schijf volledig tot stilstand is gekomen. Probeer nooit een afkortschijf uit de zaagsnede te verwijderen terwijl het wiel in beweging is, omdat dan terugslag kan optreden.** Zoek naar de oorzaak van het vastlopen van de schijf en neem de juiste maatregelen om dit te verhelpen.
- ◆ **Hervat de werkzaamheden niet als de schijf nog in het werkstuk zit. Laat de schijf volledig op snelheid komen en voer de schijf voorzichtig opnieuw in in de zaagsnede.** De schijf kan vastlopen, weglopen of terugslaan als het elektrisch gereedschap opnieuw wordt gestart in het werkstuk.
- ◆ **Ondersteun panelen of een ander groot werkstuk zodat het risico van vastlopen of terugslaan van de schijf minder groot is.** Grote werkstukken kunnen onder hun eigen gewicht doorzakken. De ondersteuning moeten aan beide zijden worden geplaatst onder het werkstuk, dicht bij de zaaglijn en aan beide zijden van de schijf.
- ◆ **Wees extra voorzichtig wanneer u een "invalzaagsnede" wilt maken in bestaande muren of op andere moeilijk bereikbare plaatsen.** De uitstekende schijf kan in gas- of waterbuizen, elektrische bedrading of objecten zagen die een terugslag veroorzaken.

Veiligheidswaarschuwingen voor schuurwerkzaamheden

- ◆ **Gebruik niet stukken schuurpapier die veel te groot zijn voor de schijf. Volg bij het selecteren van schuurpapier de richtlijnen van de fabrikant.** Groter schuurpapier dat buiten het schuurkussen steekt, veroorzaakt gevaar van schaaftwonden en kan beknelling of scheuren van de schijf of terugslag veroorzaken.

Veiligheidswaarschuwingen voor polijstwerkzaamheden

- ◆ **Zorg ervoor dat er geen delen of bevestigingspunten van de polijstschijf los kunnen komen. Stop losse bevestigingsdraden weg of knip ze af.** Losse en

ronddraaiende bevestigingsdraden kunnen in uw vingers verstrikt raken of in het werkstuk haken.

Veiligheidswaarschuwingen voor het werken met een draadborstel

- ◆ **Houd er rekening mee dat ook bij gewone werkzaamheden draden van de borstel los kunnen raken uit de draadborstel. Zet niet teveel kracht op de draden, oefen niet te veel druk uit op de draadborstel.** De draden van de borstel dringen gemakkelijk door in dunne kleding en/of de huid.
- ◆ **Als gebruik van een beschermkap wordt aanbevolen voor het werken met een draadborstel, zorg er dan voor dat de draadschijf of de draadborstel niet in aanraking komt met de beschermkap.** De diameter van de draadschijf en de draadborstel kan door belasting en centrifugale krachten tijdens de werkzaamheden toenemen.



Waarschuwing! Contact met of inademing van het stof dat bij het schuren/slijpen vrijkomt, kan de gezondheid van de gebruiker en omstanders schaden. Draag een stofmasker dat speciaal is ontworpen ter bescherming tegen stof en dampen, en zorg ervoor dat andere personen op de werkplek ook zijn beschermd.

Veiligheid van anderen

- ◆ Het is niet de bedoeling dat dit apparaat wordt gebruikt door personen (waaronder kinderen) met verminderde fysieke, zintuiglijke of psychische vermogens, of met een gebrek aan ervaring en kennis, tenzij onder toezicht van of met aanwijzingen over het gebruik van de machine door een persoon die verantwoordelijk is voor hun veiligheid.
- ◆ Houd toezicht op kinderen zodat zij niet met het apparaat kunnen spelen.

Overige risico's

Er kunnen zich bij het gebruik van dit gereedschap nog meer risico's voordoen, die mogelijk niet in de bijgesloten veiligheidswaarschuwingen worden beschreven.

Deze risico's kunnen zich voordoen door onoordeelkundig gebruik, langdurig gebruik, enz.

Zelfs wanneer de veiligheidsvoorschriften in acht worden genomen en de veiligheidsvoorzieningen worden gebruikt, kunnen bepaalde risico's niet worden uitgesloten. Dit zijn onder meer:

- ◆ Verwondingen die worden veroorzaakt door het aanraken van draaiende of bewegende onderdelen.
- ◆ Verwondingen die worden veroorzaakt bij het vervangen van onderdelen, messen of accessoires.
- ◆ Verwondingen die worden veroorzaakt door langdurig gebruik van gereedschap. Wanneer u langere periodes

met gereedschap werkt, kunt u het beste regelmatig een pauze nemen.

- ◆ Gehoorbeschadiging.
- ◆ Gezondheidsrisico's door het inademen van stof dat vrijkomt tijdens het gebruik van uw gereedschap (bijvoorbeeld: het werken met hout, met name eiken, beuken en MDF.)

Trillingen

De aangegeven waarden voor trillingsemisatie in de technische gegevens en de conformiteitsverklaring, zijn gemeten conform een standaardtestmethode die door EN 60745 wordt verstrekt. Hiermee kan het ene gereedschap met het andere worden vergeleken. De aangegeven waarde voor trillingsemisatie kan ook worden gebruikt bij een voorlopige bepaling van blootstelling.

Waarschuwing! De waarde voor trillingsemisatie tijdens het werkelijke gebruik van het elektrisch gereedschap kan verschillen van de aangegeven waarde afhankelijk van de manieren waarop het gereedschap wordt gebruikt. Het trillingsniveau kan toenemen tot boven het aangegeven niveau.

Bij beoordeling van de blootstelling aan trillingen met het doel vast te stellen welke veiligheidsmaatregelen 2002/44/EG vereist ter bescherming van personen die tijdens hun werk regelmatig elektrisch gereedschap gebruiken, moet bij een inschatting van de blootstelling aan trillingen rekening worden gehouden met de werkelijke gebruiksomstandigheden en de manier waarop het gereedschap wordt gebruikt. Daarbij moet ook rekening worden gehouden met alle onderdelen van de bedrijfscyclus, zoals wanneer het gereedschap wordt uitgeschakeld en wanneer het gereedschap stationair loopt en ook de aanlooptijd.

Etiketten op het gereedschap

De volgende pictogrammen worden met de datumcode op het gereedschap weergegeven:



Waarschuwing! De gebruiker moet de instructiehandleiding lezen zodat het risico van letsel wordt beperkt.



Draag een veiligheidsbril of een stofbril wanneer u met dit gereedschap werkt.



Draag gehoorbescherming wanneer u met dit gereedschap werkt.

Aanvullende veiligheidsinstructies voor accu's en laders

Accu's (alleen BCG720M1)

- ◆ Probeer nooit, om welke reden dan ook, de accu open te maken.

- ◆ Stel de accu niet bloot aan water.
- ◆ Bewaar de accu niet op locaties waar de temperatuur kan stijgen tot boven 40 °C.
- ◆ Laad de accu uitsluitend op bij een omgevingstemperatuur tussen 10 °C en 40 °C.
- ◆ Gebruik alleen de lader die bij het gereedschap is geleverd.
- ◆ Gooi lege accu's weg volgens de instructies in het gedeelte "Het milieu beschermen".



Probeer niet beschadigde accu's op te laden.

Laders (alleen BCG720M1)

- ◆ Gebruik de lader van BLACK+DECKER alleen voor de accu's in het gereedschap waarbij de lader is geleverd. Andere accu's kunnen openbarsten, met persoonlijk letsel en materiële schade tot gevolg.
- ◆ Probeer nooit niet-oplaadbare accu's op te laden.
- ◆ Laat een defect snoer onmiddellijk vervangen.
- ◆ Stel de lader niet bloot aan water.
- ◆ Open de lader niet.
- ◆ Steek nooit een voorwerp in de lader.



De lader is uitsluitend bestemd voor gebruik binnenshuis.



Lees de instructiehandleiding voordat u de lader in gebruik neemt

Elektrische veiligheid



De lader is dubbel geïsoleerd, en daarom is een aardedraad niet nodig. Controleer altijd dat de netspanning overeenkomt met de waarde op het typeplaatje. Probeer nooit de lader te voorzien van een normale netstekker.

- ◆ Als het netsnoer is beschadigd, moet het worden vervangen door de fabrikant of een officieel BLACK+DECKER-servicecentrum zodat gevaarlijke situaties worden voorkomen.

Functies

Dit gereedschap is voorzien van enkele of alle van de volgende functies.

1. Schakelaar voor vergrendeling in de Uit-stand
2. Aan/uit-schakelaar
3. Zijhandgreep
4. Asvergrendeling
5. Beschermkap slijper
6. Slijpschijf
7. Accupoort
8. Accu (alleen BCG720M1)

Een accu laden (afb. A)

BLACK+DECKER-laders zijn ontworpen voor het laden van BLACK+DECKER-accu's.

- ◆ Steek de lader (9) in een geschikt stopcontact en plaats daarna een accu (8).
- ◆ Plaats de accu (8) in de lader, en let er daarbij op dat de accu geheel in de lader komt te zitten (Afbeelding A).



Het LED-lampje (9a) gaat knipperen ten teken dat de accu wordt opgeladen.



Wanneer de accu geheel is opgeladen, blijft het LED-lampje ononderbroken branden. De accu is nu volledig opgeladen en kan worden gebruikt of in de acculader blijven zitten.

- ◆ Laad accu's die leeg zijn zo spoedig mogelijk na gebruik op, omdat anders de levensduur van de accu mogelijk ernstig wordt beïnvloed. Accu's hebben de langste levensduur wanneer u ze niet volledig ontlad. Aangeraden wordt de accu's na elk gebruik op te laden.

Diagnosefuncties van de lader (afb. B)

Deze lader is zo ontworpen dat bepaalde problemen die zich kunnen voordoen met accu's of met de stroomvoorziening, kunnen worden gedetecteerd. Problemen worden aangeduid door middel van een LED die in verschillende patronen knippert.

Slechte accu



De lader kan vaststellen dat een accu zwak is of beschadigd. De LED knippert in een patroon dat op het label wordt aangeduid.

Ziet u het lampje in dit patroon van een slechte accu knipperen, ga dan niet door met het opladen van de accu. Breng de accu terug naar het servicecentrum of naar een inzamelpunt waar de accu kan worden gerecycled.

Hot/cold pack delay (vertraging hete/koude accu)



Wanneer de lader waarneemt dat een accu veel te warm of veel te koud is, wordt onmiddellijk een Hot/Cold Delay gestart en

wordt het laden uitgesteld tot de accu een normale temperatuur heeft bereikt. Zodra dit het geval is, schakelt de lader automatisch over op de stand Pack Charging. Deze functie waarborgt een maximale levensduur van de accu. Het lampje knippert in een patroon dat op het label wordt aangeduid.

De accu in de lader laten

U kunt de accu voor onbeperkte tijd in de lader laten terwijl het LED-lampje blijft branden. De lader houdt de accu volledig opgeladen. De lader heeft een automatische opwaardeerstand die de afzonderlijke cellen in de accu van gelijke lading voorziet of de lading ervan in evenwicht brengt zodat de accu

optimaal kan presteren. Accu's moeten elke week worden opgewaardeerd of wanneer de accu niet meer hetzelfde rendement geeft. Plaats, als u de automatische opwaardeerstand wilt gebruiken, de accu in de lader en laat de accu ten minste 8 uur in de lader zitten.

Belangrijke opmerkingen over opladen

- ◆ De langste levensduur en de beste prestaties kunnen worden behaald als de accu wordt opgeladen bij een temperatuur tussen 18 °C - 24 °C. Laad de accu NOOIT op in een luchttemperatuur lager dan +4,5 °C, of boven +40 °C. Dit is erg belangrijk en voorkomt ernstige schade aan de accu.
- ◆ De lader en de accu's zullen tijdens het laden misschien bij aanraking warm aanvoelen. Dit is normaal en wijst niet op een probleem. Plaats de accu en de lader na gebruik niet in een warme omgeving, zoals een metalen schuur of een niet-geïsoleerde aanhangwagen, laat ze op een koele plaats afkoelen.
- ◆ Als de accu niet goed wordt opgeladen:
 - ◆ Controleer de werking van het stopcontact door een lamp of een ander apparaat aan te sluiten;
 - ◆ Controleer of het stopcontact wordt onderbroken door een schakelaar, die het licht uitschakelt en het stopcontact stroomloos maakt;
 - ◆ Breng de lader en de accu naar een ruimte waar de luchttemperatuur tussen 18 °C en 24 °C ligt;
 - ◆ Breng, als de problemen met het opladen aanhouden, het gereedschap, de accu en de lader naar het servicecentrum bij u in de buurt.
- ◆ De accu moet worden opgeladen wanneer de accu niet voldoende vermogen levert voor werkzaamheden die eerder zonder veel moeite werden uitgevoerd. WERK NIET LANGER MET HET GEREEDSCHAP in deze toestand. Volg de procedure voor het laden. U kunt ook een gedeeltelijk lege accu opladen, wanneer u dat maar wilt, zonder dat dat negatieve gevolgen heeft voor de accu.
- ◆ Houd vreemde materialen die geleidende eigenschappen hebben, zoals, maar niet uitsluitend, slijpstof, metaalsnippers, staalwol, aluminiumfolie of een ophoping van metaaldeeltjes, weg uit de uitsparingen in de lader. Trek de stekker van de lader uit het stopcontact voordat u de lader gaat reinigen.
- ◆ Laat de lader niet bevriezen en dompel de lader niet onder in water of andere vloeistoffen.

De accu plaatsen en verwijderen (afb. C, D)

- ◆ Plaats de accu (8) door deze op één lijn te plaatsen met het contrageedeelte op het gereedschap (7). Schuif de accu in het vak en duw tot de accu op z'n plaats klikt.
- ◆ Druk, als u de accu wilt verwijderen, op de vrijgaveknop (8a) van de accu en trek tegelijkertijd de accu uit het vak.

Montage

Waarschuwing! Let er vóór aanvang van de montage op dat het apparaat is uitgeschakeld en de accu is uitgenomen.

De beschermkap aanbrengen en verwijderen (fig. E, F en G)

Het gereedschap is uitgerust met een beschermkap, die alleen bedoeld is voor slijpwerkzaamheden (type 27). Als het de bedoeling is dat met de unit afkortwerkzaamheden worden uitgevoerd, moet een specifieke beschermkap voor dit werk (type 41) worden gemonteerd. Geschikte beschermkappen, onderdeelnummer 1004702-44 (voor 125 mm afkortschijf) zijn verkrijgbaar bij BLACK+DECKER-servicecentra.

- ◆ Plaats het gereedschap op de werkbank, met de as (11) omhoog.
- ◆ Ontgrendel de klemvergrendeling en houd de beschermkap boven het gereedschap zoals wordt getoond in afbeelding E.
- ◆ Plaats de nokken (5a) op één lijn met de inkepingen (10), zoals wordt getoond in afbeelding F.
- ◆ Druk de beschermkap omlaag en draai deze linksom op z'n plaats, zoals wordt getoond in afbeelding G.
- ◆ Zet de schroef van de vergrendeling van de beschermkap vast zodat de beschermkap vast komt te zitten op het gereedschap.
- ◆ Vergroot de klemkracht, indien nodig, door de schroef vaster te draaien.

Verwijderen

- ◆ Maak de schroef van de vergrendeling van de beschermkap los.
- ◆ Draai de beschermkap rechtsom tot de nokken (5a) tegenover de uitsparingen (10) uitkomen.
- ◆ Verwijder de beschermkap van het gereedschap.

Waarschuwing! Gebruik het apparaat nooit zonder de beschermkap.

Monteren van de zijhandgreep

- ◆ Schroef de zijhandgreep (3) in één van de montagegaten van het gereedschap.

Waarschuwing! Maak altijd gebruik van de zijhandgreep.

Aanbrengen en verwijderen van slijpschijven, snijpschijven of schuurklepschijven (fig. H, I, J, K, L)

Gebruik altijd het juiste type schijf voor uw specifieke toepassing.

Gebruik altijd schijven met de juiste diameter en asgaten (zie ook de technische gegevens).

Monteren

- ◆ Bevestig de beschermkap zoals hierboven wordt beschreven.

- ◆ Plaats de binnenste flens (12) op de as (11), zoals wordt getoond in afbeelding H. Let erop dat de flens op de juiste manier is geplaatst op de vlakke zijden van de as.
- ◆ Plaats de schijf (6) op de as (11) zoals wordt getoond in afbeelding H. Als de schijf een verhoogd middendeel heeft, controleer dan dat het verhoogde middendeel tegenover de binnenste flens uitkomt.
- ◆ Controleer dat de schijf op de juiste manier op de binnenste flens is geplaatst.
- ◆ Plaats de buitenste flens (14) op de as. Bij het plaatsen van een slijpschijf moet u erop letten dat het verhoogde middendeel op de buitenste flens naar de schijf is gericht (A in afb. I). Bij het plaatsen van een zaagschijf, moet u erop letten dat het verhoogde middendeel van de buitenste flens niet naar de schijf is gericht (B in afb. I).
- ◆ Houd de asvergrendeling (4) ingedrukt en draai de buitenste flens vast met de tweepens-steeksleutel (16) (afb. J).

Verwijderen

- ◆ Houd de asvergrendeling (4) ingedrukt en draai de buitenste flens (14) los met de tweepens-steeksleutel (16) (afb. J).
- ◆ Verwijder de buitenste flens (14) en de schijf (6).

Oppervlakken slijpen met slijpschijven

- ◆ Laat het gereedschap volledig op snelheid komen voor u het op het werkoppervlak zet.
- ◆ Oefen minimale druk uit op het werkoppervlak, laat het gereedschap op hoge snelheid z'n werk doen. Het rendement van de haakse slijper is het grootst wanneer het gereedschap op hoge snelheid werkt.
- ◆ Houd een hoek aan van 20° tot 30° tussen het gereedschap en het werkoppervlak, zoals wordt getoond in afbeelding L.
- ◆ Beweeg het gereedschap steeds naar voren en naar achteren zodat er geen groeven in het werkoppervlak ontstaan.
- ◆ Til het gereedschap van het werkoppervlak voor u het uitschakelt. Leg het gereedschap pas neer wanneer het tot stilstand is gekomen.

Randen slijpen met slijpschijven

Schijven waarmee wordt gezaagd of waarmee randen worden geschuurd, kunnen breken of terugslaan als ze worden gebogen of gedraaid bij afkortwerk of zwaar slijpwerk.

Slijpen van randen/afkorten met een schijf van Type 27 moet worden beperkt tot ondiep afkorten en inzagen, minder dan 13 mm diep wanneer de schijf nieuw is. Beperk de diepte van het afkorten/inzagen in overeenstemming met de afname van de schijfradius wanneer de schijf slijt. Raadpleeg de 'Tabel slijpen en afkortaccessoire' aan het einde van deze handleiding voor meer informatie.

Slijpen van randen/afkorten met een schijf van Type 41 vraag gebruik van een beschermkap van Type 41.

- ◆ Laat het gereedschap volledig op snelheid komen voor u het op het werkoppervlak zet.
- ◆ Oefen minimale druk uit op het werkoppervlak, laat het gereedschap op hoge snelheid z'n werk doen. Het rendement van de haakse slijper is het grootst wanneer het gereedschap op hoge snelheid werkt.
- ◆ Ga zo staan dat de open onderzijde van de schijf van u af is gericht.
- ◆ Verander niet meer de hoek van de zaagsnede wanneer het zagen is begonnen en er in het werkstuk een inkeping is ontstaan. Wanneer u de hoek verandert, zal daardoor de schijf worden gebogen en dat kan leiden tot breuk. Schijven voor het slijpen van randen zijn niet bestand tegen zijdelingse druk die wordt veroorzaakt door buigen.
- ◆ Til het gereedschap van het werkoppervlak voordat u het uitschakelt. Leg het gereedschap pas neer wanneer het tot stilstand is gekomen.

Waarschuwing! Gebruik schijven voor het zagen/slijpen van randen niet voor het slijpen van oppervlakken als het label op de schijf dergelijk gebruik verbiedt, omdat deze schijven niet bestand zijn tegen de zijdelingse druk die ontstaat bij het slijpen van een oppervlak. Breuk van de schijf en ernstig persoonlijk letsel kunnen het gevolg zijn.

Schuurschijven plaatsen en verwijderen (afb. K)

Voor schuurwerk moet u een steunkussen plaatsen. Het steunkussen is als accessoire verkrijgbaar bij uw BLACK+DECKER-leverancier.

Monteren

- ◆ Plaats de binnenste flens (12) op de as (11), zoals wordt getoond (afb. K). Let erop dat de flens op de juiste manier is geplaatst op de platte zijden van de as.
- ◆ Plaats het steunkussen (18) op de as.
- ◆ Plaats de schuurschijf (19) op het steunkussen.
- ◆ Plaats de buitenste flens (14) op de as waarbij het verhoogde gedeelte niet naar de schijf gericht moet zijn.
- ◆ Houd de asvergrendeling (4) ingedrukt en draai de buitenste flens vast met de tweepens-steeksleutel (16) (afb. J). Controleer dat de buitenste flens op de juiste manier is gemonteerd en dat de schijf goed wordt vastgeklemd.

Verwijderen

- ◆ Houd de asvergrendeling (4) ingedrukt en draai de buitenste flens (14) los met de tweepens-steeksleutel (16) (afb. J).
- ◆ Verwijder de buitenste flens (14), de schuurschijf (19) en de achterschijf (18).

Het afwerken van oppervlakken met schuurbladschijven

- ◆ Laat het gereedschap volledig op snelheid komen voor u het op het werkoppervlak zet.
- ◆ Oefen minimale druk uit op het werkoppervlak, laat het gereedschap op hoge snelheid z'n werk doen. Het schuurrendement van het gereedschap is het grootst wanneer het op hoge snelheid werkt.
- ◆ Houd een hoek aan van 5° tot 10° tussen het gereedschap en het werkoppervlak, zoals wordt getoond in afbeelding M.
- ◆ Beweeg het gereedschap steeds naar voren en naar achteren zodat er geen groeven in het werkoppervlak ontstaan.
- ◆ Til het gereedschap van het werkoppervlak voor u het uitschakelt. Leg het gereedschap pas neer wanneer het tot stilstand is gekomen.

Achterste schuurschijven gebruiken

Gebruik altijd de schuurschijven van de juiste grofheid voor uw toepassing. Schuurschijven zijn verkrijgbaar in diverse grofheden. Met een grotere grofheid wordt sneller materiaal weggeschuurd en ontstaat een ruwere afwerking. Met een mindere grofheid wordt minder snel materiaal weggeschuurd en ontstaat een gladdere afwerking. Begin met grove schuurschijven zodat u snel ruw materiaal kunt verwijderen. Vervolg met schuurpapier met een gemiddelde grofheid en werk af met een fijne schuurschijf voor de mooiste afwerking.

- ◆ Grof met korrel = 16 - 30.
- ◆ Gemiddeld met korrel = 36 - 80.
- ◆ Fijne afwerking met korrel = 100 - 120.
- ◆ Zeer fijne afwerking met korrel = 150 - 180.
- ◆ Laat het gereedschap volledig op snelheid komen voor u het op het werkoppervlak zet.
- ◆ Oefen minimale druk uit op het werkoppervlak, laat het gereedschap op hoge snelheid z'n werk doen. Het schuurrendement van het gereedschap is het grootst wanneer het op hoge snelheid werkt.
- ◆ Houd een hoek aan van 5° tot 10° tussen het gereedschap en het werkoppervlak, zoals wordt getoond in afbeelding N. De schuurschijf moet het werkoppervlak over een gebied van ongeveer 25 mm raken.
- ◆ Verplaats het gereedschap steeds in een rechte lijn zodat u er niet brand- en draaiplekken in het werkoppervlak ontstaan. Wanneer u het gereedschap op het werkoppervlak laat rusten zonder het te verplaatsen, of wanneer u het gereedschap in een cirkelvormige beweging verplaatst, ontstaan brand- en draaiplekken op het werkoppervlak.
- ◆ Til het gereedschap van het werkoppervlak voor u het uitschakelt. Leg het gereedschap pas neer wanneer het tot stilstand is gekomen.

Te nemen voorzorgsmaatregelen bij het schuren van verf

- ◆ Het schuren van een verf op loodbasis wordt **NIET AANBEVOLEN** omdat het moeilijk is de verontreinigde stofdeeltjes onder controle te houden. Voor kinderen en zwangere vrouwen is loodvergiftiging het meest gevaarlijk.
- ◆ Omdat het zonder chemische analyse moeilijk is vast te stellen of een verf lood bevat, adviseren wij de volgende voorzorgsmaatregelen te nemen wanneer u verf schuurt:
 - ◆ Kinderen en zwangere vrouwen mogen de werkplek waar verf wordt geschuurd, niet betreden, tot alle schoonmaakwerkzaamheden zijn voltooid.
 - ◆ Alle personen die de werkplek betreden moeten een stofmasker dragen. Het filter moet dagelijks worden vervangen of wanneer de drager moeilijkheden heeft met ademen.

Opmerking: Gebruik alleen stofmaskers die geschikt zijn voor het werken met stof van loodhoudende verf en dampen. Gewone stofmaskers bieden deze bescherming niet. Ga naar de gereedschapswinkel bij u in de buurt en vraag naar het stofmasker met de juiste bescherming van de luchtwegen.

- ◆ EET, DRINK EN ROOK NIET op de werkplek zodat u geen verontreinigde verfddeeltjes binnen kunt krijgen. Personen die dit werk uitvoeren moeten zich wassen en moeten opruimen VOORDAT zij eten, drinken of roken. Etenswaar, drinken en rookgerei mogen niet achterblijven op de werkplek waar er stof op kan neerdalen.
- ◆ Verf moet worden verwijderd op een manier dat er zo min mogelijk stof ontstaat.
- ◆ Ruimten waar verf wordt verwijderd moeten worden afgedicht met plastic folie met een dikte van 4 mils.
- ◆ Schuren moet zo worden uitgevoerd dat er weinig sporen van verfstofdeeltjes buiten de werkplek komen.
- ◆ Alle oppervlakken op de werkplek moeten dagelijks worden gestofzuigd en grondig worden gereinigd zolang er wordt geschuurd. Stofzuigerzakken moeten vaak worden vervangen.
- ◆ Plastic dekkleden moeten verzameld en worden verwijderd met eventuele stofsneppers en ander verwijderd vuil. Zij moeten in dichte vuilnisbakken worden geplaatst en worden opgehaald door de gebruikelijke vuilnisophaaldienst. Tijdens het schoonmaken moeten kinderen en zwangere vrouwen uit de buurt worden gehouden van de directe werkplek.
- ◆ Alle speelgoed, afwasbare meubels en gebruiksvoorwerpen die worden gebruikt door kinderen, moeten grondig worden gewassen voordat ze weer worden gebruikt.

Monteren en gebruiken van draadborstels en draadschijven

Draadborstels of draadschijven worden direct op de as met schroefdraad geschroefd zonder dat flenzen worden gebruikt. Een beschermkap van Type 27 is vereist wanneer u draadborstels of draadschijven gebruikt. Draag werkhandschoenen wanneer u met draadborstels en draadschijven werkt.

Zij kunnen scherp worden. Schijven of borstels mogen de beschermkap niet raken wanneer ze zijn gemonteerd of wanneer u ze gebruikt. Niet-waarneembare beschadiging van het accessoire kan optreden, waardoor stukjes draad los kunnen komen van de schijf of van de draadkom.

- ◆ Draai met de hand de schijf op de as.
- ◆ Druk de asvergrendelknop in en zet de schijf met een sleutel op de naaf van de draadschijf of draadborstel vast.
- ◆ U kunt de schijf verwijderen door de hierboven vermelde instructies in omgekeerde volgorde uit te voeren.

Waarschuwing! Wanneer u de naaf van de schijf niet goed plaatst voordat u het gereedschap inschakelt, kan dat beschadiging van het gereedschap of van de schijf tot gevolg hebben.

U kunt met draadschijven en draadborstels roest, kalkaanslag en verf verwijderen en onregelmatig gevormde oppervlakken glad maken.

Opmerking: Bij het verwijderen van verf met draadborstels en het schuren van verf moeten dezelfde maatregelen worden genomen.

- ◆ Laat het gereedschap volledig op snelheid komen voor u het op het werkkoppervlak zet.
- ◆ Oefen minimale druk uit op het werkkoppervlak, laat het gereedschap op hoge snelheid z'n werk doen. Het rendement van het gereedschap bij het verwijderen van materiaal is het grootst wanneer het gereedschap op hoge snelheid werkt.
- ◆ Houd een hoek van 5° tot 10° tussen het gereedschap en het werkkoppervlak aan voor draadkamborstels, zoals wordt getoond in afbeelding O.
- ◆ Houd bij gebruik van draadschijven contact tussen de rand van de schijf en het werkkoppervlak.
- ◆ Beweeg het gereedschap steeds naar voren en naar achteren zodat er geen groeven in het werkkoppervlak ontstaan. Wanneer u het gereedschap op het werkkoppervlak laat rusten zonder het te verplaatsen, of wanneer u het gereedschap in een cirkelvormige beweging verplaatst, ontstaan brand- en draaiplekken op het werkkoppervlak.
- ◆ Til het gereedschap van het werkkoppervlak voordat u het uitschakelt. Laat het gereedschap tot stilstand komen voordat u het neerzet.

Waarschuwing! Ga extra voorzichtig te werk wanneer u over een rand werkt, omdat u dan een plotselinge scherpe beweging van de haakse slijper kunt ervaren.

Montage en gebruik van afkortschijven (type 41)

Afkortschijven zijn onder meer diamantschijven en schuurschijven. Er zijn zaag/schuurschijven voor metaal en beton leverbaar. Diamantschijven voor het zagen van beton kunnen ook worden gebruikt.

OPMERKING: Een gesloten, tweezijdige beschermkap van type 41 voor afkortschijven is nodig wanneer met afkortschijven wordt gewerkt. Wanneer u nalaat de juiste flens en beschermkap te gebruiken kan dat letsel tot gevolg hebben doordat de schijf afbreekt of doordat u de schijf aanraakt. Voor afkortschijven moet een steunflens en een klemmoer met schroefdraad (bij het gereedschap geleverd) van passende diameter worden gebruikt.

Afkortschijven monteren

- ◆ Plaats de steunflens zonder schroefdraad op de as met het verhoogde gedeelte (richtpunt) naar boven gericht. Het verhoogde gedeelte (richtpunt) van de steunflens komt tegen de schijf wanneer de schijf wordt geplaatst.
- ◆ Plaats de schijf op de steunflens, waarbij de schijf wordt gecentreerd op het verhoogde gedeelte (richtpunt).
- ◆ Plaats de klemmoer met schroefdraad met het verhoogde gedeelte (richtpunt) van de schijf af gericht.
- ◆ Draai, terwijl u de asvergrendelknop ingedrukt houdt, de klemmoer aan met de meegeleverde steeksleutel (16).
- ◆ U kunt de schijf verwijderen door de asvergrendelknop in te drukken en de klemmoer met schroefdraad met de meegeleverde steeksleutel los te draaien.

Waarschuwing! Gebruik schijven voor het zagen/slijpen van randen niet voor het slijpen van oppervlakken omdat deze schijven niet bestand zijn tegen de zijdelingse druk die ontstaat bij het slijpen van een oppervlak. Breuk van de schijf en letsel kan het gevolg zijn.

- ◆ Laat het gereedschap volledig op snelheid komen voordat u het werkkoppervlak aanraakt.
- ◆ Oefen minimale druk uit op het werkkoppervlak, laat het gereedschap op hoge snelheid z'n werk doen. Het zaagrendement van het gereedschap is het grootst wanneer het op hoge snelheid werkt.
- ◆ Verander niet meer de hoek van de zaagsnede wanneer het zagen is begonnen en er in het werkstuk een inkeping is ontstaan. Wanneer u de hoek verandert, zal daardoor de schijf worden gebogen en dat kan leiden tot breuk.
- ◆ Til het gereedschap van het werkkoppervlak voor u het uitschakelt. Laat het gereedschap tot stilstand komen voordat u het neerzet.

Gebruik van het apparaat

Waarschuwing! Laat het gereedschap op z'n eigen snelheid werken. Overbelast het gereedschap niet.

- ◆ Houd er rekening mee dat er een vonkenregen kan ontstaan wanneer de slijp- of afkortschijf het werkstuk raakt.
- ◆ Houd het gereedschap altijd zo dat de beschermkap optimale bescherming biedt tegen de slijp- of afkortschijf.

In- en uitschakelen

- ◆ Schakel het gereedschap in door de schakelaar (2) voor de vergrendeling in de Uit-stand naar voren te schuiven.
- ◆ Schuif de schakelaar (2) voor vergrendeling in de Uit-stand naar achteren als u het gereedschap wilt uitschakelen.

Waarschuwing! Zet het gereedschap niet uit terwijl de schijf contact maakt met het werkstuk.

Waarschuwing! Schakel altijd de vergrendeling in de Uit-stand in wanneer het gereedschap niet in gebruik is.

Tips voor optimaal gebruik

- ◆ Houd het gereedschap stevig vast één hand rond de zijgreep en uw andere hand rond de hoofdgreep.
- ◆ Houd bij slijpen altijd een hoek aan van ongeveer 20° - 30° aan tussen de schijf en het oppervlak van het werkstuk.











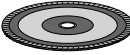

Onderhoud

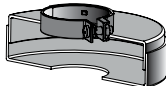











Uw BLACK+DECKER-machine/-gereedschap (met netsnoer/snoerloos) is ontworpen om gedurende langere tijd te functioneren met een minimum aan onderhoud. Het continu naar tevredenheid functioneren hangt af van de juiste zorg voor het gereedschap en regelmatig schoonmaken.

Waarschuwing! Ga altijd als volgt te werk voor u onderhouds- of reinigingswerkzaamheden aan het gereedschap (met snoer/snoerloos) uitvoert:

- ◆ Schakel de machine/het apparaat uit en neem de veiligheidsleutel en de accu uit.
- ◆ Of schakel de machine/het gereedschap uit en neem de accu uit, als de machine/het gereedschap een aparte accu heeft.
- ◆ Of maak de accu helemaal leeg, als de accu is ingebouwd en schakel de machine uit.
- ◆ Trek de stekker van de lader uit het stopcontact voordat u de lader schoonmaakt. Behalve regelmatige reiniging vraagt de lader geen onderhoud.
- ◆ Reinig regelmatig de ventilatieopeningen van gereedschap/apparaat/lader met een zachte borstel of droge doek.
- ◆ Reinig de behuizing van de motor regelmatig met een vochtige doek. Gebruik niet een schurend schoonmaakmiddel of een schoonmaakmiddel op basis van een oplosmiddel.

Tabel slijp- en afkortaccessoire

Slijpwielen	
	
Type 27 beschermkap	Type 27 beschermkap
	
Steunflens zonder schroefdraad	
	
Type 27 schijf met verzonken middenschijf	Type 27 schijf met naaf
	
Klembout met schroefdraad	
Schuurbladschijven	
	
Type 27 beschermkap	Type 27 beschermkap
	
Schuurbladschijf met naaf	Steunflens zonder schroefdraad
	
	schuurbladschijf zonder naaf
	
	Klembout met schroefdraad

Type 41 Afkortschijven	
	
Type 41 beschermkap	Type 41 beschermkap
	
Steunflens	Steunflens
	
Schuur/afkortschijf	Ruitvormige afkortschijf
	
Klemmoer	Klemmoer
Draadschijven	
	
Type 27 beschermkap	Type 27 beschermkap
	
3" draadkborstel	4" draadkborstel
Schuurschijven	
	
Rubberen steunkussen	
	
Schuurschijf	
	
Klembout met schroefdraad	

Het milieu beschermen



Gescheiden afvalinzameling. Producten en accu's waarop dit symbool is aangebracht, mogen niet bij het normale huishoudafval worden weggegooid.

Producten en accu's bevatten materialen die kunnen worden teruggewonnen of gerecycled en dat doet de vraag naar grondstoffen afnemen.

Recycle elektrische producten en accu's volgens de ter plaatse geldende bepalingen. Nadere informatie is beschikbaar op www.2helpU.com

Technische gegevens

		BCG720 M1	BCG720 N
Ingangsspanning	V _{AC}	18	18
Nominale snelheid (Onbelast)	min ⁻¹	8600	8600
Boring schijf	mm	22	22
Max. dikte van schijf			
Slijpschijven	mm	6	6
Afkortschijven	mm	3,5	3,5
Asgrootte		M14	M14
Gewicht	Kg	2,1 zonder accu en Schijf	2,1 zonder accu en Schijf
Accu		BL4018	Kale unit (niet meegeleverd)
Spanning	V _{DC}	18	
Capaciteit	Ah	4,0	
Type		Li-Ion	
Lader		9059995*	Kale unit (niet meegeleverd)
Ingangsspanning	V _{AC}	230	
Uitgangsspanning	V _{DC}	18	
Laadstroom	A	1,0	
Opladtid ongev.	Uur	4	

Geluidsdruk niveau, volgens EN 60745:

Geluidsdruk (L_{pa}) 76 dB(A), onzekerheid (K) 4 dB(A)

akoestisch vermogen (L_{wa}) 87 dB(A), onzekerheid (K) 4 dB(A)

Totale trillingswaarden (som triaxvector) volgens EN 60745:

Oppervlakteslijpen (a_{h,SG}): 7,3 m/s², K= 1,5m/s².
 Schuren met schijf (a_{h,SG}): 1,9 m/s², K= 1,5m/s².
 Poetsen (a_{h,p}): 8,6 m/s², K= 2,4m/s².
 Werken met draadborstel (a_{h,wg}): 3,8 m/s², K= 1,5m/s².
 Afkorten (a_{h,CC}): 4,0 m/s², K= 1,5m/s².

EG conformiteitsverklaring
RICHTLIJN VOOR MACHINES



BCG720 Haakse slijper Black & Decker verklaart dat deze producten, die zijn beschreven bij 'Technische gegevens', voldoen aan:

2006/42/EC, EN 60745-1:2009+A11:2010;
 EN 60745-2-3:2011+A2:2013+A11:2014
 + A12:2014+A13:2015

Deze producten voldoen ook aan richtlijn 2014/30/EU en 2011/65/EU.

Neem voor meer informatie contact op met Black & Decker op het volgende adres of raadpleeg de achterzijde van de handleiding.

Ondergetekende is verantwoordelijk voor de samenstelling van het technische bestand en legt deze verklaring af namens Black & Decker.

R. Laverick
 Director of Engineering
 Black & Decker Europe, 210 Bath Road, Slough,
 Berkshire, SL1 3YD
 United Kingdom
 10/01/2018

Garantie

Black & Decker heeft vertrouwen in zijn producten en biedt consumenten een garantie van 24 maanden vanaf de aankoopdatum. Deze garantie vormt een aanvulling op uw wettelijke rechten en beperken deze niet. De garantie is geldig op het grondgebied van de Lidstaten van de Europese Unie en de Europese Vrijhandelszone.

Voor een garantie-aanspraak moet uw aanspraak in overeenstemming zijn met de Voorwaarden en Condities van Black & Decker en moet u een bewijs van aankoop overleggen aan de verkoper of aan een geautoriseerde reparatiemonteur. Voorwaarden en condities van de 2-jarige garantie van Black & Decker en het adres van de vestiging van het geautoriseerde reparatiecentrum bij u in de buurt, kunt u vinden op internet op www.2helpU.com, of door contact op te nemen met het Black & Decker-kantoor ter plaatse, op het adres dat in deze handleiding wordt vermeld.

Bezoek onze website www.blackanddecker.nl waar u uw nieuwe Black & Decker-product kunt registreren en updates over nieuwe producten en speciale aanbiedingen kunt ontvangen.

Uso previsto

La amoladora angular BCG720 M1, BCG720 N de BLACK+DECKER ha sido diseñada para amolar y cortar metal y mampostería utilizando el tipo de disco de corte o amolado adecuado. Esta herramienta ha sido concebida únicamente para uso doméstico.

Instrucciones de seguridad

Advertencias de seguridad generales para herramientas eléctricas



Advertencia. Lea todas las advertencias de seguridad y todas las instrucciones. En caso de no atenderse a las siguientes advertencias e instrucciones de seguridad, podría producirse una descarga eléctrica, incendio o lesión grave.

Guarde todas las advertencias e instrucciones para futuras consultas. El término "herramienta eléctrica" empleado en las advertencias a continuación hace referencia a la herramienta eléctrica con alimentación de red (con cable) o alimentada por batería (sin cable).

1. Seguridad del área de trabajo

- a. **Mantenga limpia y bien iluminada el área de trabajo.** Las áreas en desorden u oscuras pueden provocar accidentes.
- b. **No utilice herramientas eléctricas en entornos con peligro de explosión, como aquellos en los que haya líquidos, gases o polvos inflamables.** Las herramientas eléctricas originan chispas que pueden inflamar el polvo o los gases.
- c. **Mantenga alejados a los niños y otras personas del área de trabajo al emplear la herramienta eléctrica.** Las distracciones pueden hacer que usted pierda el control sobre la herramienta.

2. Seguridad eléctrica

- a. **El enchufe de la herramienta eléctrica debe corresponder a la toma de corriente. No modifique nunca el enchufe de ninguna forma. No utilice ningún enchufe adaptador con las herramientas eléctricas conectadas a tierra.** Los enchufes no modificados y las tomas de corriente correctas reducen el riesgo de descarga eléctrica.
- b. **Evite que su cuerpo toque partes conectadas o puestas a tierra tales como tuberías, radiadores, cocinas y refrigeradores.** Existe un mayor riesgo de descarga eléctrica si su propio cuerpo está conectado a tierra.
- c. **No exponga las herramientas eléctricas a la lluvia y a la humedad.** Si entra agua a una herramienta eléctrica aumentará el riesgo de descarga eléctrica.
- d. **Cuide el cable de alimentación. No use nunca el cable para transportar, tirar de la herramienta eléctrica o desenchufarla. Mantenga el cable alejado del calor, aceite, bordes afilados y piezas en movimiento.** Los cables dañados o enredados aumentan el riesgo de descarga eléctrica.
- e. **Al trabajar con la herramienta eléctrica en la intemperie utilice solamente cables de prolongación homologados para su uso en exteriores.** La utilización de un cable adecuado para el uso en exteriores reduce el riesgo de descarga eléctrica.
- f. **Si la utilización de una herramienta eléctrica en un lugar húmedo es inevitable, utilice una fuente protegida con un dispositivo diferencial residual (DDR).** El uso de un dispositivo diferencial residual reduce el riesgo de descarga eléctrica.

3. Seguridad personal

- a. **Esté atento a lo que hace y emplee la herramienta eléctrica con prudencia. No maneje una herramienta eléctrica cuando esté cansado o bajo los efectos de drogas, medicamentos o alcohol.** Un momento de falta de atención cuando se manejan las herramientas eléctricas puede ocasionar lesiones personales graves.
- b. **Utilice un equipo de protección personal. Utilice siempre protección ocular.** El uso del equipo protector como mascarillas antipolvo, calzado antideslizante, casco o protección auditiva para condiciones apropiadas reducirá las lesiones personales.
- c. **Impida que la herramienta se ponga en marcha accidentalmente. Asegúrese de que el interruptor se encuentre en la posición de apagado antes de conectar la herramienta a la fuente de alimentación o a la batería, o de coger o transportar la herramienta.** Transportar herramientas eléctricas con el dedo puesto en el interruptor o herramientas eléctricas activadoras que tengan el interruptor encendido puede provocar accidentes.
- d. **Retire las herramientas de ajuste o llaves fijas antes de encender la herramienta eléctrica.** Dejar una llave inglesa u otra llave puesta en una pieza en movimiento de la herramienta eléctrica puede ocasionar lesiones personales.
- e. **Sea precavido. Mantenga un equilibrio adecuado y la estabilidad constantemente.** Esto permite un mejor control de la herramienta eléctrica en situaciones inesperadas.
- f. **Lleve puesta una vestimenta de trabajo adecuada. No se ponga ropa suelta o joyas. Mantenga el cabello, la ropa y los guantes alejados de las piezas en**

movimiento. La ropa suelta, las joyas y el pelo largo pueden quedar atrapados en las piezas en movimiento.

- g. **Siempre que sea posible utilice unos equipos de aspiración o captación de polvo, asegúrese de que estén montados y de se utilicen correctamente.** El uso de equipo de recogida de polvo puede reducir los riesgos relacionados con el polvo.
 - h. **Evite que la familiaridad adquirida con el uso frecuente de las herramientas le haga confiarse demasiado e ignorar las normas de seguridad de las herramientas.** Un descuido puede causar lesiones graves en una fracción de segundo.
- #### 4. Uso y cuidado de herramientas eléctricas
- a. **No sobrecargue la herramienta eléctrica. Use la herramienta eléctrica correcta para su trabajo.** La herramienta eléctrica correcta funcionará mejor y con mayor seguridad si se utiliza de acuerdo con sus características técnicas.
 - b. **No utilice la herramienta eléctrica si no se puede encender y apagar con el interruptor.** Toda herramienta eléctrica que no pueda controlarse con el interruptor es peligrosa y debe ser reparada.
 - c. **Desconecte el enchufe de la herramienta eléctrica de la fuente de alimentación y/o la batería antes de realizar cualquier ajuste, cambiar accesorios o guardar la herramienta.** Dichas medidas de seguridad preventivas reducen el riesgo de poner en marcha accidentalmente la herramienta eléctrica.
 - d. **Guarde las herramientas eléctricas fuera del alcance de los niños y no permita que la utilicen las personas no familiarizadas con su uso o con estas instrucciones.** Las herramientas eléctricas son peligrosas en manos de personas no capacitadas.
 - e. **Realice el mantenimiento de sus herramientas eléctricas. Compruebe que las piezas móviles no estén desalineadas ni atascadas, que no haya piezas rotas y cualquier otra condición que pudiera afectar al funcionamiento de la herramienta eléctrica. Si la herramienta eléctrica está dañada, llévela para que sea reparada antes de utilizarla.** Se ocasionan muchos accidentes por el mal mantenimiento de las herramientas eléctricas.
 - f. **Mantenga las herramientas de corte limpias y afiladas.** Hay menos probabilidad de que las herramientas de cortar con bordes afilados se bloqueen, y son más fáciles de controlar.
 - g. **Utilice la herramienta eléctrica, los accesorios, los útiles de la herramienta, etc. de acuerdo con estas instrucciones, y tenga en cuenta las condiciones de trabajo y la tarea que va a realizar.** El uso de la herramienta eléctrica para operaciones que no sean las previstas puede ocasionar una situación peligrosa.

- h. **Mantenga las empuñaduras y superficies de agarre secas, limpias y libres de aceite y grasa.** Las empuñaduras resbalosas y las superficies engrasadas impiden aferrar y controlar la herramienta en situaciones imprevistas.

5. Uso y cuidado de la herramienta de baterías

- a. **Recárguela solo con el cargador especificado por el fabricante.** Un cargador adecuado para un tipo de batería puede provocar riesgos de incendios al ser utilizado con otra batería.
 - b. **Utilice las herramientas eléctricas solamente con las baterías recomendadas.** El uso de otras baterías puede suponer un riesgo de incendio y lesiones.
 - c. **Cuando no utilice la batería, manténgala alejada de objetos de metal como clips para papel, monedas, llaves, clavos, tornillos y otros pequeños objetos metálicos que pueden realizar una conexión de un terminal a otro.** Si se produce un cortocircuito entre los terminales de la batería, pueden ocasionarse incendios o quemaduras.
 - d. **En caso de uso abusivo puede salir líquido de la batería, evite el contacto. Si se produce un contacto accidental, lave con agua. Si el líquido se pone en contacto con los ojos, acuda además a un médico.** El líquido expulsado de la batería podrá provocar irritaciones o quemaduras.
 - e. **No use la batería ni la herramienta si están dañadas o han sido modificadas.** Las baterías dañadas o modificadas pueden tener reacciones imprevistas y causar incendios, explosión o riesgo de lesiones.
 - f. **No exponga la batería o la herramienta al fuego o a temperaturas excesivas.** La exposición al fuego o a una temperatura superior a 130 °C puede causar una explosión.
 - g. **Siga las instrucciones de carga y no cargue la batería o la herramienta fuera del rango de temperatura especificada en las instrucciones.** La carga incorrecta o fuera del rango de temperatura especificado puede dañar la batería y aumentar el riesgo de incendio.
- #### 6. Reparaciones
- a. **Esta herramienta eléctrica solo la puede reparar personal técnico autorizado que emplee exclusivamente piezas de repuesto originales.** Así se asegurará que se mantenga la seguridad de la herramienta eléctrica.
 - b. **Nunca repare la batería si está dañada.** La reparación de la batería puede ser efectuada únicamente por el fabricante o los proveedores de servicio autorizados.

Advertencias de seguridad adicionales para herramientas eléctricas



Advertencia. Advertencias de seguridad adicionales para operaciones de amolado, lijado, cepillado, pulido o corte abrasivo:

- ◆ **Esta herramienta eléctrica ha sido concebida para funcionar como amoladora, lijadora, pulidora o herramienta de corte. Lea todas las advertencias de seguridad, instrucciones, ilustraciones y especificaciones suministradas con esta herramienta eléctrica.** El incumplimiento de las instrucciones que se indican a continuación puede causar descargas eléctricas, incendios y/o lesiones graves.
- ◆ **Su uso para operaciones para las que la herramienta no ha sido diseñada puede ocasionar peligro y lesiones personales.**
- ◆ **No utilice accesorios que no estén diseñados y recomendados específicamente por el fabricante de la herramienta.** El hecho de que el accesorio pueda acoplarse a la herramienta eléctrica no garantiza un funcionamiento sin riesgos.
- ◆ **La velocidad nominal del accesorio debe ser como mínimo igual a la velocidad máxima marcada en la herramienta eléctrica.** Los accesorios que funcionen más rápido que su velocidad prevista pueden romperse y salir volando.
- ◆ **El diámetro exterior y el espesor del accesorio deben encontrarse dentro de los límites de la capacidad nominal de la herramienta eléctrica.** Los accesorios con un tamaño incorrecto no pueden protegerse o controlarse adecuadamente.
- ◆ **El montaje de accesorios con rosca debe coincidir con el hilo del eje de la amoladora. Para los accesorios instalados por bridas, el orificio del eje del accesorio debe adaptarse al diámetro de la brida.** Los accesorios que no se corresponden con las piezas de montaje de la herramienta eléctrica se desequilibrarán, vibrarán excesivamente y pueden causar pérdida de control.
- ◆ **No utilice un accesorio dañado. Antes de cada uso inspeccione los accesorios, por ejemplo, los discos abrasivos, para verificar si tiene muescas o grietas; el plato portadiscos, para verificar si tiene grietas o roturas o si está muy desgastado, y el cepillo de metal, para verificar si tiene alambres sueltos o quebrados. Si la herramienta eléctrica o un accesorio se caen, compruebe que no estén dañados y, en su caso, instale un accesorio no dañado. Después de inspeccionar e instalar un accesorio, haga funcionar la herramienta eléctrica a la velocidad sin carga máxima durante un minuto.** Por lo general, los accesorios dañados se rompen durante la prueba.

- ◆ **Utilice material de protección personal. Dependiendo de la aplicación, use un protector facial y gafas protectoras. Si corresponde, póngase una mascarilla antipolvo, protectores para el oído, guantes y un delantal de trabajo que pueda detener pequeños fragmentos abrasivos o de la pieza de trabajo.** La protección ocular debe poder detener las partículas volantes que se producen con varias operaciones. La mascarilla contra el polvo o respirador debe ser capaz de filtrar las partículas generadas por las distintas operaciones. La exposición prolongada al ruido de intensidad elevada puede causar pérdida auditiva.
- ◆ **Mantenga a otras personas a una distancia de seguridad de la zona de trabajo. Todos los que entren al área de trabajo deben llevar puesto un equipo de protección personal.** Los fragmentos de una pieza de trabajo o de un accesorio roto pueden salir volando y ocasionar una lesión más allá del área inmediata de operación.
- ◆ **Sostenga la herramienta eléctrica exclusivamente por las superficies de agarre aisladas cuando realice una operación en la que el accesorio de corte pueda entrar en contacto con un cable oculto o con su propio cable.** El corte de un accesorio que entre en contacto con un cable cargado, puede cargar las partes metálicas expuestas de la herramienta eléctrica y producir una descarga eléctrica al operador.
- ◆ **Utilice fijaciones u otro tipo de método para fijar y apoyar la pieza de trabajo en una plataforma estable.** Si sostiene la pieza de trabajo con las manos o con su cuerpo, esta estará inestable y podrá hacer que usted pierda el control.
- ◆ **Coloque el cable lejos del accesorio giratorio.** Si pierde el control, el cable puede cortarse o engancharse y puede arrastrar a la mano o el brazo hacia el accesorio giratorio.
- ◆ **No apoye la herramienta eléctrica hasta que el accesorio se haya parado por completo.** El accesorio giratorio puede agarrarse a la superficie y hacer que usted pierda el control de la herramienta.
- ◆ **No ponga en funcionamiento la herramienta eléctrica mientras la transporte.** El contacto accidental con el accesorio giratorio podría hacer que se enganche la ropa y que el accesorio le toque el cuerpo.
- ◆ **Limpie periódicamente los orificios de ventilación de la herramienta eléctrica.** El ventilador del motor atraerá el polvo dentro de la caja protectora y la acumulación excesiva del metal en polvo puede ocasionar riesgos eléctricos.
- ◆ **No utilice la herramienta eléctrica cerca de materiales inflamables.** Las chispas pueden encender estos materiales.

- ◆ **No utilice accesorios que requieran líquidos refrigerantes.** El utilizar agua u otros refrigerantes líquidos puede ocasionar electrocución o descarga.

Nota: La advertencia anterior no afecta a las herramientas eléctricas diseñadas específicamente para ser utilizadas con un sistema de líquidos.

Retroceso y advertencias relacionadas

El rebote es una reacción repentina al quedar enganchados o atrapados un disco, plato portadiscos, cepillo u otro accesorio giratorio. El enganche o atrapamiento hace que el accesorio giratorio se paralice rápidamente, lo que a su vez puede provocar que la herramienta eléctrica sin control funcione en dirección opuesta a la rotación del accesorio en el punto de bloqueo.

Por ejemplo, si un disco abrasivo se engancha o queda presionado por la pieza de trabajo, el borde del disco que entra en el punto de presión puede incrustarse en la superficie del material ocasionando que el disco se salga o se trabe. El disco puede saltar hacia el usuario o en otra dirección, dependiendo de la dirección del movimiento del disco en el punto de enganche. Los discos abrasivos también pueden romperse en estas condiciones.

El retroceso se debe a la utilización inadecuada o a procedimientos o condiciones de trabajo incorrectos y puede evitarse tomando las precauciones que se detallan a continuación.

- ◆ **Sujete firmemente la empuñadura de la herramienta eléctrica y coloque el cuerpo y el brazo de modo que pueda soportar los retrocesos. Utilice siempre una empuñadura auxiliar, si se incluye, para obtener un máximo control sobre el retroceso o reacción de torsión durante el arranque.** Si se toman las precauciones adecuadas, el usuario puede controlar las reacciones de torsión o retrocesos.
- ◆ **Nunca coloque la mano cerca de un accesorio giratorio.** El accesorio puede rebotarle en la mano.
- ◆ **No coloque el cuerpo en el área en la que la herramienta eléctrica se moverá si se produce un retroceso.** El retroceso hará que la herramienta se vea empujada en dirección opuesta al movimiento del disco en el punto de enganche.
- ◆ **Tenga especial cuidado cuando trabaje en zonas con esquinas, bordes afilados, etc. Evite que el accesorio rebote o se enganche.** Las esquinas, los bordes afilados o los rebotes suelen enganchar el accesorio en movimiento y ocasionar pérdida de control o tensión de retroceso.

- ◆ **No coloque una hoja de desbastar de motosierra ni una hoja de sierra dentada.** Dichas hojas ocasionan frecuentes rebotes y pérdida de control.

Advertencias de seguridad específicas para operaciones de amolado y de corte abrasivo

- ◆ **Utilice solo los tipos de discos recomendados para la herramienta eléctrica y el protector específico diseñado para el disco seleccionado.** Los discos que no han sido diseñados para la herramienta eléctrica no pueden protegerse adecuadamente y no son seguros.
- ◆ **La superficie de amolado de los discos con centro hundido debe montarse por debajo del plano del labio del protector.** Un disco instalado incorrectamente que se proyecta fuera del plano del borde del protector no puede protegerse correctamente.
- ◆ **El protector debe acoplarse de forma segura a la herramienta eléctrica y posicionarse para brindar la máxima seguridad posible, de forma tal que quede la menor cantidad de disco expuesta en dirección al usuario.** El protector ayuda a proteger al operador de fragmentos de disco roto y del contacto accidental con el disco y las chispas que podrían incendiar la ropa.
- ◆ **Los discos se deben utilizar únicamente para los usos recomendados. Por ejemplo, no amole con el lado de un disco de corte.** Los discos de corte abrasivo están previstos para el amolado periférico, y si se aplican fuerzas laterales a estos discos pueden causar la rotura de los mismos.
- ◆ **Utilice siempre bridas de discos que no estén dañadas y del tamaño y forma correctos para el disco seleccionado.** Las bridas de disco apropiadas sirven de soporte para el disco, reduciendo así la posibilidad de rotura del mismo. Las bridas de los discos de corte pueden ser diferentes de las bridas de los discos para amolado.
- ◆ **No utilice discos desgastados de herramientas eléctricas de mayor tamaño.** Un disco diseñado para una herramienta eléctrica más grande no es adecuado para la mayor velocidad de una herramienta más pequeña y puede explotar.

Advertencias de seguridad adicionales para operaciones de corte abrasivas

- ◆ **No bloquee el disco de corte ni aplique una presión excesiva sobre este. No intente hacer un corte de profundidad excesiva.** Una presión excesiva sobre el disco puede aumentar la carga y la posibilidad de que el disco se doble o se bloquee durante el corte, además de aumentar la probabilidad de que se produzcan retrocesos o roturas del disco.
- ◆ **No coloque su cuerpo en línea con el disco giratorio ni detrás de él.** Durante el funcionamiento, cuando el

disco se aleje de su cuerpo, un posible retroceso podría impulsar el disco giratorio y la herramienta eléctrica directamente hacia usted.

- ◆ **Si el disco se bloquea o si, por algún motivo, se interrumpe el corte, desconecte la herramienta y no la mueva hasta que el disco se haya detenido por completo. No intente nunca sacar del corte el disco de corte mientras este esté en movimiento, de lo contrario puede ocurrir un rebote.** Investigue y tome medidas correctivas para eliminar la causa del trabado del disco.
- ◆ **No reinicie la operación de corte en la pieza de trabajo. Espere a que el disco alcance la velocidad máxima y vuelva a introducirlo en el corte con cuidado.** El disco puede bloquearse, saltar o rebotar si la herramienta eléctrica vuelve a ponerse en marcha en la pieza de trabajo.
- ◆ **Apoye los paneles o cualquier otra pieza de trabajo de tamaño grande para minimizar el riesgo de presión o rebote del disco.** Las piezas de trabajo grandes tienden a hundirse por su propio peso. Se deben colocar soportes bajo la pieza de trabajo cerca de la línea de corte y cerca del borde de la pieza de trabajo a ambos lados del disco.
- ◆ **Adopte medidas de precaución extraordinarias cuando efectúe un "corte de cavidad" en muros u otras zonas ciegas.** Si el disco sobresale puede cortar las tuberías de gas o de agua, la instalación eléctrica u objetos que pueden ocasionar un rebote.

Advertencias de seguridad específicas para operaciones de lijado

- ◆ **No utilice papel de lija para el disco demasiado grande. Siga las recomendaciones del fabricante a la hora de seleccionar el papel de lija.** El papel de lija grande que sobresalga del disco de lijado presenta un riesgo de laceración y puede ocasionar el enganche o rotura del disco o un rebote.

Advertencias de seguridad específicas para operaciones de pulido

- ◆ **No permita que ninguna parte suelta de la cubierta para pulido o sus cuerdas accesorias giren sin control. Oculte o corte todos los cables sueltos de los accesorios.** Los cables de los accesorios sueltos o en movimiento pueden engancharse en los dedos o en la pieza de trabajo.

Advertencias de seguridad específicas para operaciones de cepillado metálico

- ◆ **Tenga en cuenta que el cepillo expulsa cerdas metálicas incluso durante las operaciones normales. No ejerza demasiada presión en los alambres aplicando una carga excesiva a la escobilla.** Las

cerdas de alambre pueden penetrar fácilmente la ropa ligera o la piel.

- ◆ **Si es recomendable el uso de un protector para el cepillo metálico, no permita que dicho protector interfiera con el disco o el cepillo.** El disco o el cepillo de alambre puede expandir su diámetro debido a la carga de trabajo y a los movimientos centrifugos.



Advertencia. El contacto o la inhalación del polvo procedente de las aplicaciones de lijado/ amolado puede suponer un peligro para la salud del usuario y de cualquier otra persona que se encuentre alrededor. Utilice una mascarilla antipolvo diseñada específicamente para proteger contra el polvo y los vapores y asegúrese de que las demás personas que se encuentren dentro del área de trabajo o que vayan a entrar en ella también estén protegidas.

Seguridad de otras personas

- ◆ Este aparato no está destinado al uso por parte de personas (incluyendo los niños) con capacidades físicas, sensoriales o mentales reducidas, o que carezcan de experiencia o del conocimiento necesario, a menos que estén supervisadas o reciban las instrucciones relativas al uso del aparato por una persona encargada de su seguridad.
- ◆ Los niños deben vigilarse en todo momento para garantizar que el aparato no se tome como elemento de juego.

Riesgos residuales

El uso de esta herramienta puede producir riesgos residuales adicionales no incluidos en las advertencias de seguridad adjuntas.

Estos riesgos se pueden generar por un uso incorrecto, demasiado prolongado, etc.

El cumplimiento de las normas de seguridad correspondientes y el uso de dispositivos de seguridad no evitan ciertos riesgos residuales. Dichos riesgos incluyen:

- ◆ Lesiones producidas por el contacto con piezas móviles o giratorias.
- ◆ Lesiones producidas al cambiar cualquier pieza, hoja o accesorio.
- ◆ Lesiones producidas por el uso prolongado de una herramienta. Si utiliza una herramienta durante períodos de tiempo demasiado prolongados, asegúrese de realizar pausas con frecuencia.
- ◆ Deterioro auditivo.
- ◆ Riesgos para la salud causados por la respiración del polvo generado por el uso de la herramienta (por ejemplo, al trabajar con madera, especialmente roble, haya o tablero semiduro de fibras).

Vibración

Los valores de emisión de vibraciones declarados en el apartado de características técnicas y en la declaración de conformidad se han calculado según un método de prueba estándar proporcionado por la norma EN 60745 y podrán utilizarse para comparar una herramienta con otra. El valor de emisión de vibraciones especificado también puede utilizarse en una evaluación preliminar de la exposición.

Advertencia. El valor de emisión de vibraciones durante el funcionamiento real de la herramienta eléctrica puede diferir del valor declarado en función de cómo se utilice dicha herramienta. El nivel de las vibraciones puede aumentar por encima del nivel declarado.

Al evaluar la exposición a las vibraciones con el fin de determinar las medidas de seguridad que exige la directiva 2002/44/CE para proteger a las personas que utilizan periódicamente herramientas eléctricas en el entorno laboral, deberá tenerse en cuenta una estimación de la exposición a las vibraciones, las condiciones de uso reales y el modo de empleo de la herramienta, así como los pasos del ciclo operativo como, por ejemplo, el número de veces que la herramienta se apaga, el tiempo que está parada y el tiempo de activación.

Etiquetas en la herramienta

Los siguientes pictogramas están colocados, junto al código, en la herramienta:



Advertencia. Para reducir el riesgo de lesiones, el usuario debe leer el manual de instrucciones.



Cuando utilice la herramienta, lleve siempre gafas protectoras.



Cuando utilice la herramienta, utilice siempre protección para los oídos

Instrucciones de seguridad adicionales para baterías y cargadores

Baterías (solo unidad BCG720M1)

- ◆ Jamás trate de abrir las baterías por ningún motivo.
- ◆ No exponga las baterías al agua.
- ◆ No guarde la batería en lugares en los que la temperatura pueda superar los 40 °C.
- ◆ Recargue la batería únicamente a una temperatura ambiente entre 10 °C y 40 °C.
- ◆ Utilice únicamente el cargador suministrado con la herramienta para realizar la carga.
- ◆ Cuando vaya a desechar la batería, siga las instrucciones facilitadas en la sección "Protección del medioambiente".



No intente cargar baterías dañadas.

Cargadores (solo unidad BCG720M1)

- ◆ Solo debe utilizar el cargador BLACK+DECKER para cargar la batería en herramienta con la que se suministró. Otras baterías podrían explotar y provocar lesiones y daños materiales.
- ◆ Nunca intente cargar baterías no recargables.
- ◆ Sustituya los cables defectuosos inmediatamente.
- ◆ No exponga el cargador al agua.
- ◆ No abra el cargador.
- ◆ No aplique ningún dispositivo para medir la resistencia del cargador.



El cargador ha sido concebido para utilizarse únicamente en un lugar interior.



Lea el manual de instrucciones antes de usar el producto.

Seguridad eléctrica



El cargador presenta un aislamiento doble; por lo tanto, no se requiere conexión a tierra. Compruebe siempre que el voltaje de la red eléctrica corresponda al valor indicado en la placa de características. No intente sustituir el cargador por un enchufe convencional para la red eléctrica.

- ◆ Si se daña el cable de alimentación, deberá ser sustituido por el fabricante o un centro de servicios autorizado de BLACK+DECKER, para evitar riesgos.

Características

Esta herramienta incluye parte o la totalidad de estas características.

1. Interruptor de bloqueo
2. Interruptor de activación
3. Empuñadura lateral
4. Bloqueo del eje
5. Protector de amolado
6. Disco de amolado
7. Alojamiento de la batería
8. Batería (solo unidad BCG720M1)

Cargar la batería (Fig. A)

Los cargadores BLACK+DECKER han sido diseñados para cargar las baterías BLACK+DECKER.

- ◆ Enchufe el cargador (9) en una toma apropiada antes de introducir la batería (8).
- ◆ Introduzca la batería (8) en el cargador y compruebe que quede bien colocada en las ranuras correspondientes (Figura A).



El LED (9a) parpadeará para indicar que se está cargando la batería.



Al finalizar la carga, el led permanecerá encendido en modo fijo. La batería está totalmente cargada y podrá usarla o dejarla en el cargador.

- ◆ Recargue las baterías descargadas tan pronto como sea posible después del uso; de lo contrario, se reducirá su vida útil. Para aprovechar al máximo la vida útil de la batería, no deje que la batería se agote. Es recomendable recargar las baterías después de cada uso.

Diagnóstico del cargador (Fig. B)

Este cargador ha sido diseñado para detectar algunos problemas que pueden surgir con la batería o la fuente de alimentación. Los problemas se indican a través de un LED parpadeante con diferentes patrones.

Fallo de la batería



El cargador puede detectar si la batería está débil o dañada. El LED parpadea con el patrón indicado en la etiqueta. Si nota este patrón de parpadeo del indicador de fallo de la batería, no siga recargando la batería. Llévela a un centro de servicios o a un punto de recogida para el reciclaje.

Retardo por batería fría o caliente



Cuando el cargador detecta que la batería está demasiado fría o demasiado caliente, inicia automáticamente un retardo de batería fría/caliente y suspende la carga hasta que la batería se normalice. Después de esto, el cargador cambia automáticamente al modo de carga de batería. Esta característica le asegura el máximo de vida útil a la batería. La luz parpadea con el patrón indicado en la etiqueta.

Dejar la batería en el cargador

El cargador y la batería pueden permanecer conectados durante un periodo de tiempo indefinido con el indicador LED iluminado. El cargador mantendrá el conjunto de la batería a baja temperatura y completamente cargado. Este cargador está dotado de un modo de afinación automática que equaliza o balancea las células individuales de la batería, para permitir que esta funcione al máximo de su capacidad. La batería debería afinarse semanalmente o cada vez que no tenga el mismo rendimiento. Para usar el modo de afinación automática, coloque la batería en el cargador y déjela durante por lo menos 8 horas.

Notas importantes para la carga

- ◆ Se puede obtener una vida útil más larga y un mejor rendimiento si se carga la batería a una temperatura

ambiente entre 18 °C- 24 °C. NO cargue la batería a una temperatura ambiente inferior a +4.5 °C o superior a +40 °C. Esto es importante y previene daños graves a la batería.

- ◆ El cargador y la batería pueden calentarse demasiado al tacto durante la carga. Esto es normal y no indica ningún problema. Para facilitar el enfriamiento de la batería después del uso, evite colocar el cargador o la batería en un ambiente cálido, como un cobertizo metálico o un remolque sin aislamiento.
- ◆ Si la batería no se carga correctamente:
 - ◆ Enchufe una lámpara u otro aparato para comprobar la corriente de la toma.
 - ◆ Compruebe si la toma está conectada a un interruptor de luz que corta la energía al apagar las luces.
 - ◆ Desplace el cargador y la batería hacia un lugar donde la temperatura ambiente sea de aproximadamente 18 °C - 24 °C.
 - ◆ Si el problema de carga persiste, lleve la herramienta, la batería y el cargador a su centro de servicios local.
- ◆ La batería debe recargarse cuando no produce energía suficiente para trabajos que antes se efectuaban fácilmente. NO SIGA usándolo en estas condiciones. Siga el procedimiento de carga. También puede cargar una batería parcialmente usada cuando lo desee, sin ningún efecto adverso para la batería.
- ◆ Los materiales extraños que sean conductores, por ejemplo, el polvo de molido, los chips metálicos, la lana de acero, el papel de aluminio o cualquier acumulación de partículas metálicas, deben mantenerse alejados de las cavidades del cargador. Desenchufe el cargador antes de intentar limpiarlo.
- ◆ No lo congele ni lo sumerja en agua u otros líquidos.

Inserción y extracción de la batería (Fig. C, D)

- ◆ Para colocar la batería (8), alinéela con el alojamiento de la herramienta (7). Deslice la batería dentro del alojamiento y empujela hasta que encaje en su sitio.
- ◆ Para extraer la batería, pulse el botón de desbloqueo (8a) y tire al mismo tiempo de la batería para extraerla del alojamiento.

Montaje

Advertencia. Antes de proceder al montaje, compruebe que la herramienta esté apagada y que haya retirado la batería.

Colocación y extracción del protector (Fig. E, F, G)

La herramienta se suministra con un protector que está especialmente diseñado para realizar trabajos de amolado (tipo 27). Si la unidad está diseñada para realizar trabajos de corte, debe incluir un protector específico para este trabajo (tipo 41). Están disponibles los protectores apropiados con los

números de pieza 1004702-44 (para discos de corte de 125 mm), que pueden adquirirse en los centros de servicio de BLACK+DECKER.

- ◆ Coloque la herramienta encima de una mesa con el eje (11) mirando hacia arriba.
- ◆ Libere el bloqueo de sujeción y mantenga el protector sobre la herramienta, como se muestra en la Fig. E.
- ◆ Alinee los salientes (5a) con las muescas (10), como se muestra en la Fig. F.
- ◆ Apriete el protector hacia abajo y gírelo en sentido antihorario hasta la posición indicada en la Fig. F.
- ◆ Apriete el tornillo del enganche del protector para fijar el protector en la herramienta.
- ◆ Si es necesario, apriete el tornillo para aumentar la fuerza de sujeción.

Extracción

- ◆ Afloje el tornillo del enganche del protector.
- ◆ Gire el protector en sentido horario para alinear los salientes (5a) con las muescas (10).
- ◆ Extraiga el protector de la herramienta.

Advertencia. Nunca utilice la herramienta sin el protector.

Colocación de la empuñadura lateral

- ◆ Atomille la empuñadura lateral (3) en uno de los orificios de montaje de la herramienta.

Advertencia. Utilice siempre la empuñadura lateral.

Colocación y extracción de discos de amolado, discos de corte o almohadillas de solapa de lijado (Fig. H, I, J, K, L)

Utilice siempre el tipo de disco adecuado para cada aplicación.

Utilice siempre discos con el diámetro y tamaño del diámetro interior adecuados (consulte la ficha técnica).

Colocación

- ◆ Coloque el protector como se ha descrito anteriormente.
- ◆ Coloque la brida interior (12) en el eje (11) como se indica en la figura. H. Asegúrese de que la brida está colocada correctamente en las superficies planas del eje.
- ◆ Coloque el disco (6) en el eje (11) como se muestra en la figura H. Si el disco tiene un centro elevado, asegúrese de que el centro abollonado mire hacia la brida interior.
- ◆ Asegúrese de que el disco esté colocado correctamente en la brida interior.
- ◆ Coloque la brida exterior (14) en el eje. Cuando se coloca un disco de amolado, el centro abollonado de la brida exterior debe estar orientado hacia el disco (A en Fig. I). Cuando se coloca un disco de corte, el centro abollonado de la brida exterior debe estar orientado hacia el exterior del disco (B en Fig. I).

- ◆ Mantenga presionado el bloqueo del eje (4) y apriete la brida exterior utilizando la llave de dos pivotes (16) (Fig. J).

Extracción

- ◆ Mantenga presionado el bloqueo del eje (4) y afloje la brida exterior (14) utilizando la llave de dos pivotes (16) (Fig. J).
- ◆ Extraiga la brida exterior (14) y el disco (6).

Amolado de superficies con discos para amolar

- ◆ Deje que la herramienta alcance la velocidad máxima antes de ponerla en contacto con la superficie de trabajo.
- ◆ Aplique la presión mínima sobre la superficie de trabajo y deje que la herramienta funcione a alta velocidad. La velocidad de amolado será mayor cuando la herramienta opere a mayor velocidad.
- ◆ Mantenga un ángulo de 20 a 30 grados entre la herramienta y la superficie de trabajo, como se muestra en la figura L.
- ◆ Mueva continuamente la herramienta hacia delante y hacia atrás para evitar crear arañazos profundos en la superficie de trabajo.
- ◆ Retire la herramienta de la superficie de trabajo antes de apagarla. Deje que la herramienta deje de girar antes de apoyarla.

Amolado de bordes con discos para amolar

Los discos que se utilizan para cortar y amolar bordes podrían romperse o rebotar si se doblan o se giran mientras se utiliza la herramienta para realizar tareas de corte o amolado profundo.

El corte o amolado de bordes con el disco de tipo 27 debe limitarse a los cortes superficiales y entalladuras de menos de 13 mm de profundidad cuando el disco es nuevo. Reduzca la profundidad de corte o entalladura proporcionalmente a la reducción del radio del disco a medida que se desgasta. Consulte el capítulo 'Accesorio de amolado y corte' al final de este manual para más información.

El corte o amolado de bordes con el disco de tipo 41 requiere el uso de un protector de tipo 41.

- ◆ Deje que la herramienta alcance la velocidad máxima antes de ponerla en contacto con la superficie de trabajo.
- ◆ Aplique la presión mínima sobre la superficie de trabajo y deje que la herramienta funcione a alta velocidad. La velocidad de amolado será mayor cuando la herramienta opere a mayor velocidad.
- ◆ Colóquese de forma que la parte inferior abierta del disco esté dirigida en sentido contrario a usted.
- ◆ Una vez que empiece el corte y entalle la pieza de trabajo, no cambie el ángulo de corte. Si cambia el ángulo, el disco se doblará y es posible que se parta. Los

discos para amolado de bordes no han sido diseñados para soportar presiones laterales causadas por doblados.

- ◆ Retire la herramienta de la superficie de trabajo antes de apagarla. Deje que la herramienta deje de girar antes de apoyarla.

Advertencia. No utilice discos de corte/amolado de bordes para las aplicaciones de amolado superficial si en la etiqueta del disco se prohíbe tal uso pues dichos discos no han sido concebidos para soportar las presiones laterales derivadas del amolado de superficies. El disco podría romperse y causar lesiones personales graves.

Colocación y extracción de los discos de lijado (Fig. K)

Es necesario un plato de apoyo para el lijado. El plato de apoyo está disponible en su distribuidor de BLACK+DECKER como accesorio.

Colocación

- ◆ Coloque la brida interior (12) en el eje (11) como se indica. (Fig. K) Asegúrese de que la brida está colocada correctamente en las superficies planas del eje.
- ◆ Coloque el plato de apoyo (18) en el eje.
- ◆ Coloque el disco de lijado (19) en el plato de apoyo.
- ◆ Coloque la brida exterior (14) en el eje, con el centro abollonado en dirección hacia el exterior del disco.
- ◆ Mantenga presionado el bloqueo del eje (4) y apriete la brida exterior utilizando la llave de dos pivotes (16) (Fig. J). Asegúrese de que la brida exterior está colocada correctamente y que el disco está sujeto firmemente.

Extracción

- ◆ Mantenga presionado el bloqueo del eje (4) y afloje la brida exterior (14) utilizando la llave de dos pivotes (16) (Fig. J).
- ◆ Extraiga la brida exterior (14), el disco de lijado (19) y el plato de apoyo (18).

Acabado de superficies con discos de lijado

- ◆ Deje que la herramienta alcance la velocidad máxima antes de ponerla en contacto con la superficie de trabajo.
- ◆ Aplique una presión mínima sobre la superficie de trabajo, dejando que la herramienta funcione a alta velocidad. La velocidad de lijado será mayor cuando la herramienta opere a mayor velocidad.
- ◆ Mantenga un ángulo de 5° a 10° entre la herramienta y la superficie de trabajo, como se muestra en la figura M.
- ◆ Mueva continuamente la herramienta hacia delante y hacia atrás para evitar crear arañazos profundos en la superficie de trabajo.
- ◆ Retire la herramienta de la superficie de trabajo antes de apagarla. Deje que la herramienta deje de girar antes de apoyarla.

Uso de platos de apoyo de lijado

Elija los discos de lijado de grano adecuado para su aplicación. Los discos de lijado se encuentran disponibles con varios granos. Los granos más gruesos remueven más rápido el material y dan un acabado más rústico. Los granos más finos remueven más lentamente el material y dan un acabado más fino. Empezar con discos de grano duro para retirar el material de forma rápida y rústica. Cambie a una lija de grano mediano y termine con un disco de grano fino para lograr un acabado óptimo.

- ◆ Rústico = grano 16 - 30.
- ◆ Medio = grano 36 - 80.
- ◆ Acabado fino = grano 100 - 120.
- ◆ Acabado muy fino = grano 150 - 180.
- ◆ Deje que la herramienta alcance la velocidad máxima antes de ponerla en contacto con la superficie de trabajo.
- ◆ Aplique una presión mínima sobre la superficie de trabajo, dejando que la herramienta funcione a alta velocidad. La velocidad de lijado será mayor cuando la herramienta opere a mayor velocidad.
- ◆ Mantenga un ángulo de 5° a 10° entre la herramienta y la superficie de trabajo, como se muestra en la figura N. El disco de lijado debe tocar aproximadamente 25 mm de la superficie de trabajo.
- ◆ Mueva la herramienta constantemente en línea recta para evitar que la superficie de trabajo se queme o se doble. Si deja que la herramienta permanezca en la superficie de trabajo sin moverla o si mueve la herramienta de forma circular, provocará quemaduras y torcidos en la superficie de trabajo.
- ◆ Retire la herramienta de la superficie de trabajo antes de apagarla. Deje que la herramienta deje de girar antes de apoyarla.

Precauciones a adoptar al lijar pintura

- ◆ El lijado de pintura a base de plomo **NO SE RECOMIENDA** debido a la dificultad de controlar el polvo contaminado. Los niños y las mujeres embarazadas están más expuestos al riesgo de intoxicación por plomo.
- ◆ Como resulta difícil identificar si una pintura incluye o no plomo si no se efectúan análisis químicos, le aconsejamos que adopte las siguientes precauciones a la hora de lijar cualquier pintura:
 - ◆ Ningún niño ni mujer embarazada deberá acceder a la zona de trabajo cuando se realice el lijado de pintura, hasta que se haya finalizado su limpieza.
 - ◆ Todas las personas que accedan a la zona de trabajo deberán llevar una máscara de protección anti polvo o un respirador. El filtro deberá sustituirse a diario o cuando resulte difícil respirar.

Nota: Tan sólo deberá utilizar las máscaras antipolvo adecuadas para trabajar con polvo y humos derivados de la

pintura a base de plomo. Las máscaras de pintura ordinarias no ofrecen esta protección. Acuda a su ferretería local para dotarse de la protección respiratoria adecuada.

- ◆ **NO INGIERA ALIMENTOS O BEBIDAS NI FUME** en la zona de trabajo para evitar ingerir partículas de pintura contaminadas. Los trabajadores deberán lavarse y limpiarse ANTES de comer, beber o fumar. Los artículos de comidas, bebidas o tabaco no deberán dejarse en la zona de trabajo ya que podrá depositarse polvo en los mismos.
- ◆ Deberá retirar la pintura en modo de reducir al máximo la cantidad de polvo emitido.
- ◆ Las zonas en las que se retire la pintura deberán sellarse con hojas de plástico de 4 mm de espesor.
- ◆ El lijado deberá realizarse de forma tal que se reduzca el arrastre de polvo de pintura fuera de la zona de trabajo.
- ◆ Todas las superficies de la zona de trabajo deberán ser aspiradas y limpiadas totalmente todos los días durante el periodo del proyecto de lijado. Las bolsas de filtros de aspiradoras deberán cambiarse frecuentemente.
- ◆ Los protectores de plástico deberán recogerse y eliminarse junto con los demás restos de polvo u otros restos de pintura. Deberán colocarse en recipientes de desecho sellados y eliminarse utilizando los procedimientos de recogida de residuo habituales. Durante la limpieza, los niños y las mujeres embarazadas deberán mantenerse alejados de la zona de trabajo.
- ◆ Todos los juguetes, muebles y utensilios lavables utilizados por los niños deberán limpiarse completamente antes de volver a ser utilizados.

Montaje y uso de los cepillos y discos de alambre

Los cepillos metálicos o las ruedas metálicas se aprietan directamente sobre el eje de la amoladora sin utilizar las bridas. Un protector de Tipo 27 es necesario cuando utilice cepillos y ruedas metálicas. Lleve guantes de trabajo cuando manipule cepillos y discos metálicos. Pueden estar afiladas. El disco o el cepillo no deben tocar el protector cuando se instalan o cuando están en uso. Pueden producirse daños no detectables en el accesorio que causen la rotura de los alambres del disco o del accesorio.

- ◆ Enrosque el disco en el eje manualmente.
- ◆ Pulse el botón de bloqueo del eje y utilice una llave en el cubo del disco o del cepillo de alambre para apretar el disco.
- ◆ Para retirar el disco, invierta las instrucciones indicadas previamente.

Advertencia. Si no asienta correctamente el cubo del disco antes de encender la herramienta podrá provocar daños a la herramienta y al disco.

Los discos y cepillos metálicos pueden utilizarse para retirar óxido, sarro y pintura, y para uniformar las superficies irregulares.

Nota: Deben tomarse las mismas precauciones al retirar la pintura con cepillo de alambre que al lijarla.

- ◆ Deje que la herramienta alcance la velocidad máxima antes de ponerla en contacto con la superficie de trabajo.
- ◆ Aplique una presión mínima sobre la superficie de trabajo, dejando que la herramienta funcione a alta velocidad. La velocidad de retirada del material será mayor cuando la herramienta opere a mayor velocidad.
- ◆ Mantenga un ángulo de 5° a 10° entre la herramienta y la superficie de trabajo para cepillos de alambre tipo taza, como se muestra en la figura O.
- ◆ Mantenga el contacto entre el borde del disco y la superficie de trabajo con los discos de alambre.
- ◆ Mueva continuamente la herramienta hacia delante y hacia atrás para evitar crear arañazos profundos en la superficie de trabajo. Si deja que la herramienta permanezca en la superficie de trabajo sin moverla o si mueve la herramienta de forma circular, provocará quemaduras y torcidos en la superficie de trabajo.
- ◆ Retire la herramienta de la superficie de trabajo antes de apagarla. Deje que la herramienta deje de rotar antes de colocarla a un lado.

Advertencia. Preste especial atención cuando opere sobre un borde, ya que podrá registrar un movimiento repentino y afilado de la amoladora.

Montaje y uso de los discos de corte (Tipo 41)

Los discos de corte incluyen discos de diamante y discos abrasivos. Se encuentran disponibles discos de corte abrasivo para metales y hormigón. También pueden utilizarse cuchillas de diamante para el corte de hormigón.

NOTA: Cuando utilice discos de corte, necesitará un protector de disco de corte de dos caras y cerrado de tipo 41 que se vende por separado. Si no utiliza la brida adecuada y el protector adecuado, pueden causarse lesiones por la rotura del disco y el contacto con el disco.

Para los discos de corte deberá utilizar una brida de soporte y una tuerca de fijación roscada (incluida con la herramienta) que coincidan.

Montaje de discos de corte

- ◆ Coloque la brida de soporte no roscada sobre el eje con la sección abollonada (piloto) mirando hacia arriba. La sección abollonada (piloto) de la brida de soporte deberá estar contra el disco cuando se haya instalado el disco.
- ◆ Coloque el disco sobre la brida de soporte, centrándolo en la sección abollonada (piloto).
- ◆ Coloque la tuerca de fijación roscada con la sección abollonada (piloto) mirando en el sentido contrario del disco.

- ◆ Pulse el botón de bloqueo del eje y apriete la tuerca de fijación con la llave incluida (16).
- ◆ Para sacar el disco, pulse el botón de bloqueo del eje y afloje la tuerca de fijación roscada con la llave suministrada.

Advertencia. No utilice discos de corte/amolado de bordes para las aplicaciones de amolado superficial, ya que dichos discos no han sido diseñados para soportar presiones laterales derivadas del corte de superficie. Pueden producirse roturas de los discos y daños personales.

- ◆ Deje que la herramienta alcance la velocidad máxima antes de ponerla en contacto con la superficie de trabajo.
- ◆ Aplique la presión mínima sobre la superficie de trabajo dejando que la herramienta funcione a alta velocidad. La velocidad de corte será mayor cuando la herramienta opere a mayor velocidad.
- ◆ Una vez que empiece el corte y entalle la pieza de trabajo, no cambie el ángulo de corte. Si cambia el ángulo, el disco se doblará y es posible que se parta.
- ◆ Retire la herramienta de la superficie de trabajo antes de apagarla. Deje que la herramienta deje de rotar antes de colocarla a un lado.

Uso

Advertencia. Deje que la herramienta funcione a su ritmo. No la sobrecargue.

- ◆ Tenga en cuenta que se pueden producir chispas cuando el disco de amolado o de corte entre en contacto con la pieza de trabajo.
- ◆ Coloque siempre la herramienta de tal forma que el protector proporcione la máxima protección del disco de amolado o de corte.

Encendido y apagado

- ◆ Para encender la herramienta, deslice el interruptor de bloqueo (2) hacia delante.
- ◆ Para apagar la herramienta, deslice el interruptor de bloqueo (2) hacia atrás.

Advertencia. No apague la herramienta cuando esta tenga carga.

Advertencia. Coloque siempre el bloqueo cuando no vaya a utilizar la herramienta.

Consejos para un uso óptimo

- ◆ Sujete firmemente la herramienta con una mano alrededor de la empuñadura lateral y con la otra mano alrededor de la empuñadura principal.
- ◆ Al amolar, mantenga siempre un ángulo de aproximadamente 20° - 30° entre el disco y la superficie de la pieza de trabajo.

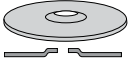
Mantenimiento

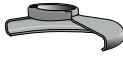



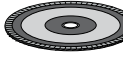

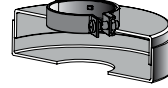
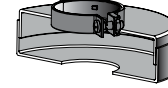






Su aparato o herramienta con o sin cable de BLACK+DECKER ha sido diseñada para funcionar durante un largo período de tiempo con un mantenimiento mínimo. El funcionamiento satisfactorio y continuo depende del buen cuidado de la herramienta y de una limpieza frecuente.








Advertencia. Antes de realizar el mantenimiento de herramientas eléctricas con o sin cables:

- ◆ Apague y desenchufe el aparato o herramienta.
- ◆ O apague y extraiga la batería del aparato o herramienta si este cuenta con una batería independiente.
- ◆ O, en caso de batería integrada, agótela por completo y, a continuación, apague la herramienta.
- ◆ Desenchufe el cargador antes de limpiarlo. El cargador no requiere ningún mantenimiento especial excepto la limpieza periódica.
- ◆ Limpie periódicamente las ranuras de ventilación de la herramienta, aparato o cargador con un cepillo suave o un paño seco.
- ◆ Limpie periódicamente la carcasa del motor con un paño húmedo. No utilice limpiadores abrasivos o a base de disolventes.

Tabla de accesorios de corte y amolado

Discos de amolado	
 Protector tipo 27	 Protector tipo 27
 Brida de soporte no roscada	 Disco con cubo de tipo 27
 Disco con centro hundido de tipo 27	
 Tuerca de fijación roscada	

Discos de lijar de láminas	
 Protector tipo 27	 Protector tipo 27
 Disco de lijar de láminas con cubo	 Brida de soporte no roscada
	 Disco de lijar de láminas sin cubo
	 Tuerca de fijación roscada
Discos de corte de tipo 41	
 Protector tipo 41	 Protector tipo 41
 Brida de apoyo	 Brida de apoyo
 Disco de corte abrasivo	 Disco de corte de diamante
 Tuerca de fijación	 Tuerca de fijación

Discos de alambre	
 Protector tipo 27	 Protector tipo 27
 Cepillo de alambre tipo taza de 3 pulgadas	 Cepillo de alambre tipo taza de 4 pulgadas
Discos de lijado	
 Base de apoyo de goma	
 Disco de lijado	
 Tuerca de fijación roscada	

Protección del medioambiente



Recogida selectiva. Los productos y las baterías marcadas con este símbolo no se deben eliminar con los residuos domésticos normales.

Los productos y las baterías que contienen materiales que se puedan recuperar o reciclar reducen la demanda de materias primas.

Recicle los productos eléctricos y las baterías de conformidad con la normativa local. Puede obtener más información en www.2helpU.com

Datos técnicos

		BCG720 M1	BCG720 N
Voltaje de entrada	V _{cc}	18	18
Velocidad nominal (Sin carga)	min ⁻¹	8600	8600
Diámetro interior del disco	mm	22	22
Espesor máximo del disco			
Discos de amolado	mm	6	6
Discos de corte	mm	3.5	3.5
Tamaño del eje		M14	M14
Peso	Kg	2.1 menos batería y disco	2.1 menos batería y disco
Batería		BL4018	Solo la unidad (no suministrada)
Tensión	V _{cc}	18	
Capacidad	Ah	4.0	
Tipo		Litio-ión	
Cargador		9059995*	Solo la unidad (no suministrada)
Voltaje de entrada	V _{ca}	230	
Voltaje de salida	V _{cc}	18	
Corriente	A	1.0	
Tiempo de carga aproximado	Horas	4	

Nivel de presión acústica de acuerdo con la norma EN 60745:	
Presión acústica (L _{pa})	76 dB(A), incertidumbre (K) 4 dB(A)
Potencia acústica (L _{wa})	87 dB(A), incertidumbre (K) 4 dB(A)

Valores totales de vibración (suma vectorial triaxial) de acuerdo con la directiva EN 60745:	
Amolado superficial (a _{h,sc}):	7,3m/s ² , K=1,5m/s ² .
Lijado con disco (a _{h,ds}):	1,9m/s ² , K=1,5m/s ² .
Pulido (a _{h,p}):	8,6m/s ² , K=2,4m/s ² .
Cepillado con cepillo de alambre (a _{h,wb}):	3,8m/s ² , K=1,5m/s ² .
Corte (a _{h,co}):	4,0m/s ² , K=1,5m/s ² .

Declaración de conformidad CE
DIRECTIVA DE MÁQUINAS



Amoladora angular BCG720

Black & Decker declara que los productos descritos en la "ficha técnica" cumplen con las siguientes directrices: 2006/42/CE, EN 60745-1:2009+A11:2010; EN 60745-2-3:2011+A2:2013+A11:2014 +A12:2014+A13:2015

Estos productos también cumplen las Directivas 2014/30/UE y 2011/65/UE.

Para más información, póngase en contacto con Black & Decker en la siguiente dirección o consulte la parte posterior del manual.

El abajo firmante es el responsable de la compilación del archivo técnico y realiza esta declaración en representación de Black & Decker.

R. Laverick
Director de Ingeniería
Black & Decker Europe, 210 Bath Road, Slough,
Berkshire, SL1 3YD
Reino Unido
10/01/2018

Garantía

Black & Decker confía en la calidad de sus productos y ofrece a los consumidores una garantía de 24 meses a partir de la fecha de compra. Esta garantía es adicional a sus derechos legales y no los menoscaba en modo alguno. La garantía es válida dentro de los territorios de los Estados Miembros de la Unión Europea y del Área de Libre Comercio Europea.

Para reclamar la garantía, la reclamación se debe presentar de conformidad con las condiciones de Black & Decker. Tendrá que adjuntar un justificante de compra al vendedor o al agente técnico autorizado. Las condiciones de la garantía de 2 años de Black & Decker y la ubicación de su agente técnico autorizado más cercano se pueden obtener en Internet en www.2helpU.com o poniéndose en contacto con su oficina local de Black & Decker en la dirección que se indica en este manual.

Visite nuestro sitio web www.blackanddecker.co.uk para registrar su nuevo producto Black & Decker y recibir noticias sobre nuevos productos y ofertas especiales.

Utilização pretendida

O esmerilador angular BLACK+DECKER BCG720 M1, BCG720 N foi concebido para esmerilar e cortar metal e pedra com o tipo correcto de disco de corte ou esmeril se estiver montada com a protecção adequada. Esta ferramenta destina-se apenas para utilização doméstica.

Instruções de segurança

Avisos de segurança gerais para ferramentas elétricas



Atenção! Leia todos os avisos de segurança e todas as instruções. O não cumprimento dos seguintes avisos e instruções pode resultar em choque elétrico, incêndio e/ou ferimentos graves.

Guarde todos os avisos e instruções para futura referência. A expressão "ferramenta elétrica" utilizada a seguir refere-se a ferramentas elétricas com ligação à corrente elétrica (com cabo) ou com bateria (sem fios).

1. Segurança na área de trabalho

- a. **Mantenha a área de trabalho limpa e bem iluminada.** As áreas desorganizadas ou escuras são propensas a acidentes.
- b. **Não trabalhe com ferramentas elétricas em áreas com risco de explosão, nas quais se encontrem líquidos, gases ou poeiras inflamáveis.** As ferramentas elétricas criam faíscas que poderão inflamar estas poeiras ou vapores.
- c. **Mantenha crianças e outras pessoas afastadas durante a utilização da ferramenta elétrica.** As distrações podem levar à perda do controlo da ferramenta.

2. Segurança eléctrica

- a. **As fichas da ferramenta eléctrica devem encaixar na tomada. Nunca modifique a ficha de forma alguma. Não utilize fichas adaptadoras com ferramentas eléctricas ligadas à terra.** As fichas não modificadas e as tomadas compatíveis reduzem o risco de choque eléctrico.
- b. **Evite que o corpo entre em contacto com superfícies ligadas à terra, como tubos, radiadores, fogões e frigoríficos.** Se o seu corpo estiver "ligado" à terra, o risco de choque eléctrico é maior.
- c. **As ferramentas eléctricas não podem ser expostas a chuva nem humidade.** A entrada de água numa ferramenta eléctrica aumenta o risco de choque eléctrico.
- d. **Manuseie o cabo com cuidado. Nunca o utilize para transportar, puxar ou desligar a ferramenta eléctrica. Mantenha o cabo afastado de fontes de calor,**

substâncias oleosas, arestas afiadas ou peças móveis. Os cabos danificados ou emaranhados aumentam o risco de choque eléctrico.

- e. **Quando trabalhar com uma ferramenta eléctrica ao ar livre, utilize uma extensão adequada para esse fim.** A utilização de um cabo adequado para uso ao ar livre reduz o risco de choque eléctrico.
 - f. **Se for inevitável trabalhar com uma ferramenta eléctrica num local húmido, utilize um dispositivo de corrente residual (RCD).** A utilização de um RCD reduz o risco de choque eléctrico.
3. **Segurança pessoal**
- a. **Mantenha-se atento, observe o que está a fazer e seja prudente quando trabalhar com a ferramenta eléctrica. Não utilize uma ferramenta eléctrica quando estiver cansado ou sob o efeito de drogas, álcool ou medicamentos.** Um momento de distração durante a utilização de ferramentas eléctricas poderá resultar em ferimentos graves.
 - b. **Utilize equipamento de protecção pessoal. Use sempre uma protecção ocular.** O equipamento de protecção, como, por exemplo, uma máscara contra o pó, sapatos de segurança antiderrapantes, um capacete de segurança ou uma protecção auditiva, usado nas condições apropriadas, reduz o risco de ferimentos.
 - c. **Evite arranques involuntários. Certifique-se de que o botão está desligado antes de ligar a ferramenta à corrente eléctrica e/ou à bateria, e antes de levantar ou transportar a ferramenta.** Se mantiver o dedo sobre o interruptor ao transportar ferramentas eléctricas ou se as ligar à fonte de alimentação com o interruptor ligado, isso poderá dar origem a acidentes.
 - d. **Retire eventuais chaves de ajuste ou chaves de fendas antes de ligar a ferramenta eléctrica.** Uma chave de fenda ou de ajuste que se encontre numa peça em rotação da ferramenta eléctrica poderá causar ferimentos.
 - e. **Não tente chegar a pontos fora do alcance. Mantenha sempre os pés bem apoiados e um equilíbrio apropriado.** Desta forma, será mais fácil controlar a ferramenta eléctrica em situações inesperadas.
 - f. **Use vestuário adequado. Não use roupa larga ou joias. Mantenha o cabelo, a roupa e as luvas afastados das peças móveis.** As roupas largas, as joias ou o cabelo comprido podem ficar presos nestas peças.
 - g. **Se for prevista a montagem de dispositivos de extração e recolha de poeiras, assegure-se de que estão ligados e que são utilizados de forma correcta.** A utilização de dispositivos de extração de partículas pode reduzir os riscos relacionados com as mesmas.
 - h. **Não permita que o facto de estar familiarizado com a utilização frequente das ferramentas o torne complacente e ignore os princípios de segurança da**

ferramenta. Uma acção irreflectida pode causar ferimentos numa fracção de segundos.

4. Utilização e manutenção da ferramenta eléctrica

- a. **Não sobrecarregue a ferramenta eléctrica. Utilize a ferramenta eléctrica correta para o seu trabalho.** A ferramenta eléctrica adequada irá efetuar o trabalho de um modo mais eficiente e seguro se for utilizada de acordo com a capacidade para a qual foi concebida.
- b. **Não utilize a ferramenta eléctrica se o interruptor não puder ser ligado ou desligado.** Qualquer ferramenta eléctrica que não possa ser controlada através do interruptor de alimentação é perigosa e tem de ser reparada.
- c. **Desligue a ficha da tomada e/ou a bateria da ferramenta eléctrica antes de proceder a ajustes, trocar acessórios ou guardar ferramentas eléctricas.** Estas medidas de segurança preventivas reduzem o risco de ligar a ferramenta eléctrica acidentalmente.
- d. **Mantenha as ferramentas eléctricas que não estiverem a ser utilizadas fora do alcance das crianças. Não permita que a ferramenta eléctrica seja utilizada por pessoas não familiarizadas com a mesma ou que não tenham lido estas instruções.** As ferramentas eléctricas são perigosas nas mãos de pessoas que não possuam as qualificações necessárias para as manusear.
- e. **Proceda à manutenção das ferramentas eléctricas. Verifique se as partes móveis estão desalinhasadas ou bloqueadas, se existem peças partidas ou qualquer outra situação que possa afetar o funcionamento das ferramentas eléctricas. Se a ferramenta eléctrica estiver danificada, esta não deve ser utilizada até que seja reparada.** Muitos acidentes têm como principal causa ferramentas eléctricas com uma manutenção insuficiente.
- f. **Mantenha as ferramentas de corte afiadas e limpas.** As ferramentas de corte sujeitas a uma manutenção adequada, com arestas de corte afiadas, emperram com menos frequência e controlam-se com maior facilidade.
- g. **Utilize a ferramenta eléctrica, os acessórios e as peças de ferramenta, etc., de acordo com estas instruções, considerando as condições de trabalho e a tarefa a ser executada.** A utilização da ferramenta eléctrica para fins diferentes dos previstos poderá resultar em situações perigosas.
- h. **Mantenha os punhos e as pegas de fixação secos, limpos e sem qualquer óleo ou gordura.** Se tiver as mãos escorregadias e as superfícies com gordura, isso não permite um manuseamento e controlo seguros da ferramentas em situações inesperadas.

5. **Utilização e cuidados a ter com a ferramenta com baterias**

- a. **Carregue apenas com o carregador especificado pelo fabricante.** Um carregador adequado para um tipo de bateria pode causar um incêndio se for utilizado com outra bateria.
- b. **Utilize ferramentas eléctricas apenas com baterias específicas.** A utilização de outras baterias pode dar origem a risco de danos e incêndio.
- c. **Quando não utilizar a bateria, mantenha-a afastada de outros objectos metálicos, tais como cliques para papel, moedas, chaves, pregos, parafusos ou outros pequenos objectos metálicos que permitam fazer a ligação de um terminal para outro.** O curto-circuito de terminais das baterias pode causar queimaduras ou incêndio.
- d. **Em condições abusivas, pode derramar líquido da bateria, devendo evitar o contacto. Se tocar acidentalmente no líquido, lave bem com água. Se o líquido entrar em contacto com os olhos, consulte um médico.** O líquido derramado da bateria pode causar irritação ou queimaduras.
- e. **Não utilize uma bateria ou uma ferramenta que esteja danificada ou modificada.** As baterias danificadas ou modificadas podem ter um comportamento imprevisível, podendo dar origem a um incêndio, explosão ou risco de ferimentos.
- f. **Não exponha a bateria ou ferramenta ao fogo ou excesso de temperatura.** A exposição ou uma temperatura superior a 130 °C pode dar origem a uma explosão.
- g. **Siga todas as instruções de carregamento e não carregue a bateria ou a ferramenta fora da gama de temperaturas especificadas nas instruções.** Se o carregamento não for efectuado correctamente ou se a temperaturas não estiverem de acordo com o limite especificado, a bateria pode ficar danificada e há um maior risco de incêndio.

6. Assistência

- a. **A sua ferramenta eléctrica só deve ser reparada por pessoal qualificado e só devem ser colocadas peças sobressalentes originais.** Desta forma, é garantida a segurança da ferramenta eléctrica.
- b. **Nunca repare baterias danificadas.** A reparação de baterias só deve ser efectuada pelo fabricante ou por fornecedor de serviços autorizado.

Avisos de segurança adicionais para ferramentas eléctricas



Atenção! Avisos de segurança comuns para rebarbar, lixar, limpeza com escova metálica, polimento ou corte abrasivo:

- ◆ **Esta ferramenta eléctrica destina-se a ser utilizada como rebarbadora, lixadora, escova metálica, polidora ou ferramenta de corte. Leia todos os avisos de segurança, instruções, ilustrações e especificações fornecidas com esta ferramenta eléctrica.** O não cumprimento de todas as instruções indicadas abaixo pode resultar em choque eléctrico, incêndio e/ou lesões graves.
- ◆ **As operações para as quais a ferramenta eléctrica não foi concebida poderão criar perigo e causar ferimentos.**
- ◆ **Não utilize acessórios que não tenham sido especificamente concebidos e recomendados pelo fabricante da ferramenta.** O facto de um acessório poder ser instalado na sua ferramenta eléctrica não garante um funcionamento seguro do mesmo.
- ◆ **A velocidade nominal do acessório deve ser, no mínimo, equivalente à velocidade máxima indicada na ferramenta eléctrica.** Os acessórios que forem utilizados a uma velocidade superior à respectiva velocidade nominal poderão fragmentar-se e projectar esses fragmentos.
- ◆ **O diâmetro exterior e a espessura do acessório devem estar dentro dos limites de capacidade da ferramenta eléctrica.** Não será possível proteger ou controlar de forma adequada acessórios com o tamanho incorreto.
- ◆ **Ao enroscar acessórios, estes devem coincidir com a rosca do eixo da rebarbadora. No que respeita a acessórios montados com flanges, o orifício de fixação do acessório deve corresponder ao diâmetro de localização da flange.** Os acessórios que não correspondam ao tamanho dos elementos de montagem da ferramenta eléctrica irão funcionar de forma desequilibrada e vibrar de modo excessivo, podendo causar a perda do controlo da ferramenta.
- ◆ **Não utilize um acessório danificado. Antes de cada utilização, inspecione se os acessórios, por exemplo, os discos abrasivos, apresentam rachas ou fendas, se a proteção de apoio apresenta rachas, desgaste excessivo, e se a escova metálica tem fios soltas ou rachadas. Se deixar cair a ferramenta eléctrica ou os acessórios, verifique se apresentam danos ou se colocou um acessório sem danos. Depois de inspecionar e instalar um acessório e funcionar com a ferramenta eléctrica à velocidade máxima sem carga durante um minuto.** Os acessórios danificados irão normalmente fragmentar-se durante este período de teste.
- ◆ **Utilize equipamento de proteção pessoal. Dependendo da operação, use uma viseira ou óculos de proteção. De acordo com o necessário, use uma máscara contra o pó, protetores auditivos, luvas e um avental de trabalho capaz de o proteger contra**

- pequenos fragmentos abrasivos ou da peça de trabalho.** A protecção ocular tem de ser capaz de o proteger contra a projecção de detritos resultantes de várias operações. A máscara anti-poeira ou o respirador deve ser capaz de filtrar partículas geradas pelo que está a fazer. A exposição prolongada a ruídos de elevada intensidade poderá causar perda de audição.
- ◆ **Mantenha as pessoas a uma distância segura da área de trabalho. Qualquer pessoa que entre no perímetro da área de trabalho tem de usar equipamento de proteção pessoal.** Poderá dar-se o caso de fragmentos da peça de trabalho ou de um acessório partido serem projetados para longe e causarem ferimentos fora da área de trabalho imediata.
- ◆ **Segure a ferramenta eléctrica apenas pelas superfícies isoladas específicas para o efeito ao efetuar uma operação em que o acessório de corte possa entrar em contacto com fios ocultos ou com o próprio cabo da ferramenta.** Um acessório de corte que entre em contacto com um fio com tensão eléctrica poderá fazer com que as peças de metal expostas da ferramenta conduzam electricidade e electrocutem o utilizador.
- ◆ **Utilize grampos ou outro sistema prático para fixar e apoiar a peça numa plataforma estável.** Segurar a peça com a mão ou contra o corpo pode causar instabilidade e perda de controlo.
- ◆ **Afaste o cabo de alimentação do acessório rotativo.** Se perder o controlo da ferramenta, o cabo poderá ser cortado ou ficar preso no acessório, puxando a sua mão ou o seu braço na direção do acessório rotativo.
- ◆ **Nunca pouse a ferramenta eléctrica antes de o acessório ficar completamente imobilizado.** Caso contrário, o acessório rotativo poderá ficar preso na superfície onde pousou a ferramenta eléctrica e puxá-la para longe das suas mãos, fazendo-o perder o controlo da mesma.
- ◆ **Não ligue a ferramenta eléctrica enquanto estiver a transportá-la ao seu lado.** Um contacto acidental do acessório rotativo com a sua roupa poderá prendê-la no mesmo, puxando o acessório na direção do seu corpo.
- ◆ **Limpe regularmente as aberturas de ventilação da ferramenta eléctrica.** A ventoinha do motor irá puxar as partículas para o interior da caixa da ferramenta e a acumulação excessiva de metal pulverizado pode causar perigos eléctricos.
- ◆ **Não utilize a ferramenta eléctrica perto de materiais inflamáveis.** Estes materiais poderão ser inflamados por faíscas da ferramenta.
- ◆ **Não utilize acessórios que necessitem de líquidos de refrigeração.** A utilização de água ou outros líquidos de refrigeração poderá resultar em electrocussão ou choque elétrico.

Nota: O aviso anterior não se aplica a ferramentas elétricas especificamente concebidas para utilizar com um sistema líquido.

Contragolpes e avisos relacionados

O efeito de coice é uma reação súbita resultante do aperto ou bloqueio de um disco rotativo, de uma proteção de apoio, de uma escova ou de qualquer outro acessório. Elementos entalados ou presos provocam o rápido encravamento do acessório rotativo, o que, por sua vez, faz com que a ferramenta elétrica descontrolada seja forçada na direção oposta à rotação do acessório no ponto de ligação.

Por exemplo, se um disco abrasivo ficar preso ou for apertado pela peça de trabalho, a aresta do disco que estiver em contacto com o ponto de aperto pode penetrar a superfície do material, fazendo o disco subir ou saltar da peça. O disco pode projetar-se na direção do operador ou afastar-se dele, dependendo da direção do movimento do disco roda no ponto de entalamento.

Os discos abrasivos podem também partir-se nestas condições.

O coice é o resultado de uma utilização errada da ferramenta e/ou de procedimentos ou condições de utilização incorretos, podendo ser evitado com medidas de precaução apropriadas, conforme descrito em seguida.

- ◆ **Segure firmemente a ferramenta elétrica e posicione o corpo e o braço de modo a permitir resistência às forças de um contragolpe. Utilize sempre o punho auxiliar, se existir, para controlar ao máximo o contragolpe ou a reação ao binário quando liga a ferramenta.** O operador pode controlar as reações ao binário ou forças de contra-golpe, tomando as precauções adequadas.
- ◆ **Nunca coloque a mão perto do acessório rotativo.** O efeito de coice poderá fazer o acessório saltar para cima da sua mão.
- ◆ **Não posicione o corpo na área em que a ferramenta elétrica passará se ocorrer um contra-golpe.** O contra-golpe impulsionará a ferramenta na direção oposta ao movimento da roda no ponto em que ficar entalada.
- ◆ **Tenha muito cuidado quando trabalhar em cantos, arestas afiadas, etc. Evite balançar e entalar o acessório.** Os cantos, as arestas afiadas ou o facto de o acessório rotativo saltar tendem a fazê-lo ficar preso na peça de trabalho e, conseqüentemente, a causar a perda do controlo da ferramenta ou a ocorrência do efeito de coice.
- ◆ **Não ligue uma lâmina de entalhar madeira de corrente ou uma lâmina de serra com dentes.** Estas lâminas originam frequentemente o efeito de coice e a perda do controlo da ferramenta.

Avisos de segurança específicos para operações de retificação e corte abrasivo

- ◆ **Utilize apenas tipos de discos recomendados para a ferramenta elétrica e a proteção específica concebida para o disco escolhido.** Os discos para os quais a ferramenta eléctrica não foi concebida não podem ser protegidos de forma adequada e, conseqüentemente, não são seguros.
- ◆ **A superfície de desbaste dos discos centrais com depressão deve ser montada abaixo da plaina da aba de proteção.** Se o disco estiver montado incorretamente e ficar saliente através da plaina da aba de proteção, isso significa que não está devidamente protegido.
- ◆ **A proteção deverá estar bem fixada à ferramenta e posicionada de forma a proporcionar a máxima segurança, de modo a que o operador fique exposto à menor extensão do disco possível.** O resguardo ajuda a proteger o utilizador contra fragmentos do disco partido, qualquer contacto acidental com o disco e as faíscas podem queimar a roupa.
- ◆ **Os discos só devem ser utilizados para as aplicações recomendadas. Por exemplo, não desbaste materiais com a parte lateral de um disco de corte.** Os discos de corte abrasivos destinam-se a efetuar desbastes periféricos e qualquer pressão lateral aplicada nestes discos poderá parti-los.
- ◆ **Utilize sempre flanges de discos não danificadas com o tamanho e a forma corretos para o disco escolhido.** Os encaixes de disco apropriados suportam corretamente o disco, reduzindo assim a possibilidade de quebra do mesmo. As flanges para discos de corte poderão ser diferentes das flanges dos discos de lixa.
- ◆ **Não utilize discos desgastados de ferramentas elétricas maiores.** Os discos concebidos para ferramentas eléctricas maiores não são adequados para a velocidade mais alta de uma ferramenta mais pequena e poderão fragmentar-se.

Avisos de segurança adicionais específicos para operações de corte abrasivo

- ◆ **Não “encrave” o disco de corte nem aplique pressão excessiva. Não efetue cortes excessivamente profundos.** Uma pressão excessiva sobre a roda aumenta a carga e a susceptibilidade de torcer ou bloquear a roda durante o corte, bem como a possibilidade de contra-golpe ou de a roda se partir.
- ◆ **Não posicione o corpo alinhado e atrás do disco rotativo.** Quando o disco, no ponto de funcionamento, se estiver a afastar do seu corpo, um possível recuo poderá impulsionar o disco e a ferramenta elétrica diretamente para si.
- ◆ **Quando o disco estiver a ficar bloqueado ou quando interromper um corte por qualquer motivo, desligue a**

ferramenta elétrica e mantenha-a imóvel até que o disco pare completamente. Nunca retire o disco de corte do corte enquanto o disco estiver em movimento. Caso contrário, poderá ocorrer o efeito de coice. Investigue e tome acções correctivas para eliminar a causa do bloqueio do disco.

- ◆ **Não reinicie a operação de corte na peça. Deixe o disco alcançar a velocidade máxima e coloque a serra com cuidado no local do corte.** O disco pode ficar sobrada, saltar ou causar um efeito de coice se a ferramenta elétrica for reiniciada em contacto com a peça.
- ◆ **Suporte quaisquer painéis ou peça de trabalho sobredimensionada para minimizar o risco de aperto do disco e ocorrência do efeito de coice.** As peças de trabalho de grandes dimensões tendem a vergar sobre o seu próprio peso. É necessário colocar suportes por baixo da peça de trabalho em ambos os lados do disco, perto da linha de corte e da extremidade da peça.
- ◆ **Tenha especial cuidado quando efetuar um corte pequeno em paredes existentes ou outras áreas ocultas.** O disco poderá cortar a canalização de gás ou água, a cablagem elétrica ou outros objetos que podem causar o efeito de coice.

Avisos de segurança específicos para operações de lixagem

- ◆ **Não utilize papel de disco de lixa com dimensões excessivas. Siga as recomendações dos fabricantes quando selecionar o papel para lixar.** Uma lixa com um tamanho excessivo que ultrapasse o limite do disco de suporte representa um risco de dilaceração e poderá fazer o disco ficar preso ou danificado, ou causar a ocorrência do efeito de coice.

Avisos de segurança específicos para operações de polimento

- ◆ **Não permita que partes soltas da cobertura de polimento ou respectivos fios de ligação rodem livremente. Esconda ou corte quaisquer fios de fixação soltos.** Os fios de fixação soltos a rodar podem prender os seus dedos ou ficar presos na peça de trabalho.

Avisos de segurança específicos para operações de escovagem metálica

- ◆ **Tenha em atenção que a escova projeta cerdas metálicas, mesmo durante o funcionamento normal. Não aplique uma carga excessiva na escova, isso pode causar demasiado esforço nos fios.** Os filamentos podem penetrar facilmente na pele e/ou em roupa leve.

- ◆ **Se for recomendada a utilização de uma proteção para escovagem metálica, não permite qualquer interferência do disco ou da escova de arame com a proteção.** O disco ou a escova de arame podem aumentar de diâmetro devido à carga de trabalho e às forças centrífugas.



Atenção! O contacto ou a inalação de poeiras originadas pelas aplicações de lixagem/esmerilagem poderá colocar em perigo a saúde do operador ou das pessoas presentes. Utilize uma máscara especificamente concebida para proteção contra poeiras e vapores e certifique-se de que as pessoas perto da área de trabalho também estão protegidas.

Segurança de terceiros

- ◆ Este aparelho não deve ser utilizado por pessoas (incluindo crianças) com capacidades físicas, sensoriais ou mentais reduzidas ou com falta de experiência e conhecimentos, a menos que sejam acompanhadas ou tenham recebido formação ou instruções sobre a utilização deste equipamento por uma pessoa responsável pela respetiva segurança.
- ◆ As crianças deverão ser vigiadas para que não mexam no aparelho.

Riscos residuais

Podem surgir riscos residuais adicionais durante a utilização da ferramenta, que poderão não constar nos avisos de segurança incluídos.

Estes riscos podem resultar de má utilização, uso prolongado, etc.

Mesmo com o cumprimento dos regulamentos de segurança relevantes e a implementação de dispositivos de segurança, alguns riscos residuais não podem ser evitados. Estes incluem:

- ◆ Ferimentos causados pelo contacto com peças em rotação/movimento.
- ◆ Ferimentos causados durante a troca de peças, lâminas ou acessórios.
- ◆ Ferimentos causados pela utilização prolongada de uma ferramenta. Quando utilizar uma ferramenta durante períodos prolongados, certifique-se de que faz pausas regularmente.
- ◆ Danos auditivos.
- ◆ Problemas de saúde causados pela inalação de poeiras resultantes da utilização da ferramenta (exemplo: trabalhos em madeira, especialmente carvalho, faia e MDF).

Vibração

Os valores de emissão de vibração declarados na secção de dados técnicos e na declaração de conformidade foram medidos de acordo com o método de teste padrão fornecido pela norma EN 60745 e podem ser utilizados para comparar ferramentas. O valor de emissão de vibração declarado pode ainda ser utilizado numa avaliação preliminar de exposição.

Atenção! O valor de emissão de vibração durante a utilização real da ferramenta elétrica pode ser diferente do valor declarado, dependendo da forma como a ferramenta é utilizada. O nível de vibração pode aumentar acima do nível indicado.

Quando avaliar a exposição da vibração para determinar as medidas de segurança exigidas pela Diretiva 2002/44/CE para proteger pessoas que utilizem regularmente ferramentas elétricas na sua atividade profissional, deve ser considerada uma estimativa de exposição de vibração, as condições reais de utilização e o modo de utilização da ferramenta, incluindo ainda todas as partes do ciclo de funcionamento, como os períodos de inatividade e espera da ferramenta, além do tempo de funcionamento.

Etiquetas colocadas na ferramenta

Os seguintes pictogramas, assim como o código de data, estão indicados na ferramenta:



Atenção! Para reduzir o risco de ferimentos, o utilizador deve ler o manual de instruções.



Utilize óculos ou viseiras de proteção quando utilizar esta ferramenta.



Utilize protectores dos ouvidos quando utilizar esta ferramenta

Instruções de segurança adicionais para baterias e carregadores**Baterias (apenas na unidade BCG720M1)**

- ◆ Nunca tente abrir a bateria, seja qual for o motivo.
- ◆ Não exponha a bateria à água.
- ◆ Não armazene em locais onde a temperatura possa exceder os 40 °C.
- ◆ Carregue apenas a temperaturas ambiente entre 10 °C e 40 °C.
- ◆ Carregue apenas com o carregador fornecido com a ferramenta.
- ◆ Ao eliminar as baterias, siga as instruções indicadas na secção "Protecção do ambiente".



Não tente carregar baterias danificadas.

Carregadores (apenas na unidade BCG720M1)

- ◆ Utilize o seu carregador BLACK+DECKER apenas para carregar a bateria da ferramenta com que foi fornecido. Outras baterias podem rebentar, provocando ferimentos e danos.
- ◆ Nunca tente carregar baterias não recarregáveis.
- ◆ Substitua os cabos defeituosos imediatamente.
- ◆ Não exponha o carregador à água.
- ◆ Não abra o carregador.
- ◆ Não manipule o interior do carregador.



O carregador deverá ser utilizado apenas em espaços interiores.



Antes da utilização, leia o manual de instruções

Segurança eléctrica

O seu carregador tem isolamento duplo. Por esse motivo, não precisa de ligação à terra. Verifique sempre se a tensão de alimentação corresponde à tensão indicada na placa sinalética. Nunca tente substituir a unidade do carregador por uma tomada de alimentação normal.

- ◆ Se o cabo de alimentação estiver danificado, terá de ser substituído pelo fabricante ou por um centro de assistência autorizado BLACK+DECKER para evitar acidentes.

Componentes

Esta ferramenta inclui algumas ou todas as características seguintes.

1. Botão de desbloqueio
2. Interruptor de accionamento
3. Punho lateral
4. Bloqueio do veio
5. Protecção para esmerilação
6. Disco de esmerilação
7. Porta da bateria
8. Bateria (apenas na unidade BCG720M1)

Carregar baterias (Fig. A)

Os carregadores da BLACK+DECKER são concebidos para carregar baterias da BLACK+DECKER.

- ◆ Ligue o carregador (9) numa tomada adequada antes de inserir a bateria (8).
- ◆ Insira a bateria (8) no carregador, assegurando-se de que fica totalmente encaixada nas ranhuras da bateria (Figura A).



O LED (9a) começa a piscar, indicando que a bateria está a ser carregada.



A conclusão do processo de carregamento é indicado pelo LED, que permanece ligado de maneira contínua. A bateria fica totalmente carregada e pode ser utilizada nesta altura ou pode deixá-la no carregador.

- ◆ Recarregue as baterias descarregadas assim que possível após a utilização, caso contrário a duração da bateria pode diminuir consideravelmente. Para uma maior duração da bateria, não descarregue as baterias totalmente. Recomenda-se que as baterias sejam carregadas após cada utilização.

Diagnóstico do carregador (Fig. B)

Este carregador foi concebido para detectar determinados problemas que possam surgir com baterias ou a fonte de alimentação. Os problemas são indicados pela iluminação de um LED intermitente com diferentes padrões.

Problemas na bateria

O carregador permite detectar uma bateria fraca ou danificada. Este LED pisca com o padrão indicado na etiqueta. Se aparecer este padrão intermitente de problemas na bateria, interrompa o carregamento da bateria.

Entregue-a num centro de assistência ou num local de recolha para reciclagem.

Retardação de calor/frio da bateria

Quando o carregador detecta que uma bateria está demasiado quente ou fria, inicia automaticamente a retardação de calor/frio, interrompendo o processo de carga até a bateria normalizar. Em seguida, o carregador muda automaticamente para o modo Carregar a bateria. Esta função assegura a duração máxima da bateria. Este indicador luminoso pisca com o padrão indicado na etiqueta.

Deixar a bateria no carregador

O carregador e a bateria podem permanecer ligados com o LED aceso indefinidamente. O carregador irá manter a bateria completamente carregada. Este carregador inclui um modo de regulação automática que nivela ou equilibra as células individuais na bateria para que funcione com a capacidade máxima. As baterias devem ser reguladas todas as semanas ou se a bateria não fornecer o mesmo volume de trabalho. Para utilizar o modo de regulação automática, coloque a bateria no carregador e deixe-a aí durante pelo menos 8 horas.

Notas importantes sobre carregamento

- ◆ É possível aumentar a duração da bateria e obter o melhor desempenho se esta for carregada a uma temperatura ambiente que se situe entre os 18 °C e

24 °C. NÃO carregue a bateria se a temperatura ambiente for inferior a +4,5 °C ou superior a +40 °C. Este requisito é importante e impede danos graves na bateria.

- ◆ O carregador e a bateria podem ficar demasiado quentes durante o carregamento. Isto é normal e não representa um problema. Para facilitar o arrefecimento da bateria após a utilização, evite colocar o carregador ou a bateria num local quente, como num barracão metálico ou num reboque não isolado.
- ◆ Se a bateria não carregar correctamente:
 - ◆ Verifique o funcionamento do receptáculo, ligando uma lâmpada ou outro aparelho;
 - ◆ Verifique se o receptáculo está ligado a um interruptor que se desliga quando desliga as luzes;
 - ◆ Coloque o carregador e a bateria num local onde a temperatura do ar ambiente seja de aproximadamente 18 °C a 24 °C;
 - ◆ Se os problemas de carregamento persistirem, leve a ferramenta, a bateria e o carregador para um centro de assistência local.
- ◆ A bateria deve ser recarregada se não fornecer energia suficiente durante trabalhos que tenham sido efectuados facilmente. NÃO CONTINUE a utilizar o equipamento nestas condições. Siga o procedimento de carregamento. Pode também carregar uma bateria parcialmente utilizada sempre que quiser, porque não afecta a bateria.
- ◆ Materiais estranhos de natureza condutora, tais como, mas não limitados a, pó polido, aparas de metal, lã de aço, alumínio em folha ou qualquer acumulação de partículas metálicas devem ser mantidos afastados do compartimento do carregador. Desligue o carregador antes de proceder à limpeza.
- ◆ Não congele nem coloque o carregador dentro de água ou de outros líquidos.

Colocar e remover a bateria (Fig. C, D)

- ◆ Para colocar a bateria (8), alinhe-a com o receptáculo na ferramenta (7). Deslize a bateria para dentro do receptáculo e empurre-a até ficar bem encaixada.
- ◆ Para remover a bateria, pressione o botão de desbloqueio (8a) enquanto retira, ao mesmo tempo, a bateria do receptáculo.

Montagem

Atenção! Antes da montagem, certifique-se de que a ferramenta está desligada e que a bateria é retirada.

Montagem e remoção da protecção (Fig. D, E, F e G)

A ferramenta é fornecida com uma protecção apenas para trabalhos de desbaste (tipo 27). Se a unidade se destinar a operações de corte, deverá ser colocada uma protecção específica desta operação (tipo 41). Os números de

referência das proteções adequadas 1004702-44 (para o disco de corte de 125 mm) estão disponíveis e podem ser obtidos a partir dos centros de assistência da BLACK+DECKER.

- ◆ Coloque a ferramenta numa mesa, com o eixo (11) virado para cima.
- ◆ Abra o bloqueio de fixação e segure a proteção sobre a ferramenta conforme ilustrado na Figura E.
- ◆ Alinhe os apoios (5a) com os entalhes (10), como indicado na Figura F.
- ◆ Pressione a proteção para baixo e rode-a no sentido inverso ao dos ponteiros do relógio para a posição pretendida, como indicado na Figura G.
- ◆ Aperte o parafuso do fecho da proteção para fixá-la na ferramenta.
- ◆ Se necessário, aperte o parafuso para aumentar a força de fixação.

Remover

- ◆ Liberte o parafuso do fecho da proteção.
- ◆ Rode a proteção no sentido dos ponteiros do relógio para alinhar os apoios (5a) com os entalhes (10).
- ◆ Remova a proteção da ferramenta.

Atenção! Nunca utilize a ferramenta sem a proteção.

Encaixar o punho lateral

- ◆ Aparafuse a pega lateral (3) num dos orifícios de montagem da ferramenta.

Atenção! Utilize sempre o punho lateral.

Colocar e remover discos de esmerilagem, discos de corte ou bases com aba para lixar (Fig. H, I, J, K, L)

Utilize sempre o tipo de disco correto para a sua aplicação.

Utilize sempre discos com o diâmetro e o orifício corretos (ver os dados técnicos).

Montagem

- ◆ Coloque a proteção como indicado acima.
- ◆ Coloque a flange interior (12) no eixo (11) como indicado na figura. H. Certifique-se de que a flange está corretamente posicionada nos lados lisos do eixo.
- ◆ Coloque o disco (6) no eixo (11), como indicado na Figura H. Se o disco tiver uma parte central centrada, assegure-se de que as superfícies centradas elevadas ficam viradas para a flange interior.
- ◆ Certifique-se de que o disco está corretamente localizado na flange interior.
- ◆ Coloque a flange exterior (14) no eixo. Quando se monta um disco de esmeril, a parte central elevada da flange exterior deve ficar virada para o disco (A na Fig. I). Quando se monta um disco de corte, a parte central

elevada da flange exterior deve ficar abastada do disco (B na Fig. I).

- ◆ Mantenha o bloqueio do veio (4) premido e aperte a flange exterior utilizando a chave-inglesa de dois pinos (16) (Fig. J).

Remover

- ◆ Mantenha o bloqueio do veio (4) premido e solte a flange exterior (14) utilizando a chave-inglesa de dois pinos (16) (Fig. J).
- ◆ Remova a flange exterior (14) e o disco (6).

Retificação de superfícies com discos de lixa

- ◆ Deixe a ferramenta atingir a velocidade máxima antes de tocar na superfície de trabalho.
- ◆ Aplique uma pressão mínima na superfície de trabalho, para que a ferramenta funcione a uma velocidade elevada. A velocidade de retificação é a mais elevada se a ferramenta funcionar a uma velocidade elevada.
- ◆ Mantenha um ângulo de 20° a 30° entre a ferramenta e a superfície de trabalho, como indicado na Figura L.
- ◆ Mova a ferramenta de maneira contínua para trás e para a frente para evitar a formação de estrias na superfície de trabalho.
- ◆ Retire a ferramenta da superfície de trabalho antes de a desligar. Deixe a ferramenta parar de rodar antes de a pousar.

Retificar arestas com discos de lixa

Os discos utilizados para o corte e retificação de arestas podem partir-se ou provocar um coice enquanto a ferramenta estiver a ser utilizada para realizar trabalhos de corte ou desbaste profundo.

A retificação/corte de arestas com um disco do tipo 27 deve ser restringida a corte superficial e chanfragem. Deve ser inferior a 13 mm de profundidade se o disco for novo. Reduza a profundidade de corte/chanfragem para que fique igual à redução do raio do disco, à medida que ficar desgastado.

Para obter mais informações, consulte o “Gráfico de acessórios de corte e rebarbagem” no final deste manual.

A retificação/corte de arestas com um disco do tipo 41 requer a utilização de uma proteção do tipo 41.

- ◆ Deixe a ferramenta atingir a velocidade máxima antes de tocar na superfície de trabalho.
- ◆ Aplique uma pressão mínima na superfície de trabalho, para que a ferramenta funcione a uma velocidade elevada. A velocidade de retificação é a mais elevada se a ferramenta funcionar a uma velocidade elevada.
- ◆ Coloque-se de modo a que o lado aberto na parte inferior do disco fique afastado do operador.
- ◆ Depois de iniciar um corte e efetuar um entalhe na peça de trabalho, não altere o ângulo do corte. Se alterar o ângulo, o disco pode dobrar e partir-se. Os discos de lixa

de arestas não foram concebidos para suportar pressões causadas pela dobragem.

- ◆ Retire a ferramenta da superfície de trabalho antes de a desligar. Deixe a ferramenta parar de rodar antes de a pousar.

Atenção! Não utilize discos de corte/retificação de arestas para tarefas de retificação de superfícies se a etiqueta indicar o contrário porque não foram concebidos para as pressões laterais que ocorrem durante a retificação de superfícies. O disco pode partir-se e ocorrerem ferimentos graves.

Colocar e remover discos de lixa (Fig. K)

Para lixar, é necessário uma proteção de apoio. A proteção de apoio está disponível a partir da BLACK+DECKER como acessório.

Montagem

- ◆ Coloque a flange interior (12) no eixo (11) como indicado (Fig. K). Certifique-se de que a flange está corretamente posicionada nos lados lisos do eixo.
- ◆ Coloque a proteção de apoio (18) no eixo.
- ◆ Coloque o disco de lixa (19) na proteção de apoio.
- ◆ Coloque a flange exterior (14) no eixo com o centro elevado no lado oposto do disco.
- ◆ Mantenha o bloqueio do veio (4) premido e aperte a flange exterior utilizando a chave-inglesa de dois pinos (16) (Fig. J). Certifique-se de que a flange exterior está corretamente colocada e que o disco está firmemente fixado.

Remover

- ◆ Mantenha o bloqueio do veio (4) premido e solte a flange exterior (14) utilizando a chave-inglesa de dois pinos (16) (Fig. J).
- ◆ Remova a flange exterior (14), o disco de lixa (19) e a proteção (18).

Acabamento da superfície com discos de lixa

- ◆ Deixe a ferramenta atingir a velocidade máxima antes de tocar na superfície de trabalho.
- ◆ Aplique uma pressão mínima na superfície de trabalho, para que a ferramenta funcione a uma velocidade elevada. A velocidade de polimento é a mais elevada se a ferramenta funcionar a uma velocidade elevada.
- ◆ Mantenha um ângulo de 5° a 10° entre a ferramenta e a superfície de trabalho, como indicado na Figura M.
- ◆ Mova a ferramenta de maneira contínua para trás e para a frente para evitar a formação de estrias na superfície de trabalho.
- ◆ Retire a ferramenta da superfície de trabalho antes de a desligar. Deixe a ferramenta parar de rodar antes de a pousar.

Utilizar proteções de apoio para lixar

Utilize sempre discos de lixa de material abrasivo adequado para a sua aplicação. Estão disponíveis discos abrasivos com várias numerações. As lixas com numeração mais grossa permitem obter velocidades de remoção mais rápidas e um acabamento mais grosseiro. As lixas com numeração mais fina permitem obter velocidades de remoção mais lentas e um acabamento mais macio. Comece a tarefa com discos com numeração mais grossa para uma remoção rápida e grosseira do material. Mude para um papel com numeração média e termine com um disco de com numeração fina para um ótimo acabamento.

- ◆ Grosso = 16 - 30.
- ◆ Médio = 36 - 80.
- ◆ Polimento fino = 100 - 120.
- ◆ Polimento muito fino = 150 - 180.
- ◆ Deixe a ferramenta atingir a velocidade máxima antes de tocar na superfície de trabalho.
- ◆ Aplique uma pressão mínima na superfície de trabalho, para que a ferramenta funcione a uma velocidade elevada. A velocidade de polimento é a mais elevada se a ferramenta funcionar a uma velocidade elevada.
- ◆ Mantenha um ângulo de 5° a 10° entre a ferramenta e superfície de trabalho, como indicado na Figura N. O disco de lixa deve estar a uma distância de cerca de 25 mm da superfície de trabalho.
- ◆ Mova a ferramenta de forma constante em linha reta para evitar queimaduras e efeitos circulares na superfície de trabalho. Se deixar a ferramenta sobre a superfície de trabalho e não a mover ou a deslocar em movimentos circulares, podem ocorrer queimaduras e efeitos circulares.
- ◆ Retire a ferramenta da superfície de trabalho antes de a desligar. Deixe a ferramenta parar de rodar antes de a pousar.

Precauções a ter quando lixar tinta

- ◆ A lixagem de tinta à base de chumbo **NÃO É RECOMENDADA** porque é difícil controlar as poeiras contaminadas. As crianças e as grávidas são as pessoas mais susceptíveis ao envenenamento por chumbo.
- ◆ Uma vez que é difícil identificar se uma tinta contém ou não chumbo sem proceder a uma análise química, é recomendável seguir as seguintes precauções quando lixar tinta:
 - ◆ As crianças ou grávidas não devem entrar em áreas de trabalho em que estejam a ser realizados trabalhos de lixagem de tinta até a limpeza estar concluída por completo.
 - ◆ Deve ser usada uma máscara anti-poeira ou uma máscara respiratória por todas as pessoas que entrem na área de trabalho. O filtro deve ser substituído todos

os dias ou sempre que o utilizador tenha dificuldades respiratórias.

Nota: Só devem ser utilizadas máscaras anti-poeira adequadas se trabalhar com vapores de chumbo e poeira de tinta à base de chumbo. As máscaras de pintura comuns não oferecem este tipo de proteção. Contacte a sua loja de ferragens para obter uma máscara aprovada adequada.

- ◆ NÃO É PERMITIDO COMER, BEBER ou FUMAR na área de trabalho para evitar a ingestão de partículas de tinta contaminadas. Os trabalhadores devem lavar-se e limpar-se ANTES de comer, beber ou fumar. Não devem ser deixados alimentos, bebida ou maços de tabaco na área de trabalho, uma vez que estão sujeitos à acumulação de poeira.
- ◆ A tinta deve ser removida de modo a minimizar a quantidade de poeira produzida.
- ◆ As áreas de remoção de tinta devem ser seladas com telas de plástico com 4 milímetros de plegada de espessura.
- ◆ A lixagem deve ser realizada de modo a reduzir qualquer marcas de poeira de tinta fora da área de trabalho.
- ◆ Todas as superfícies na área de trabalho devem ser aspiradas e devidamente limpas todos os dias durante todo o processo de lixagem. Os sacos dos filtros de vácuo devem ser frequentemente mudados.
- ◆ As telas de proteção de plástico devem ser recolhidas e deitadas fora, juntamente com quaisquer pedaços de poeira ou outros detritos removidos. Devem ser colocados em contentores para lixo selados e eliminados através dos procedimentos normais de recolha do lixo. Durante a limpeza, as crianças e grávidas devem ser mantidas afastadas da área de trabalho imediata.
- ◆ Todos os brinquedos, mobília e utensílios usados pelas crianças devem ser devidamente lavados antes de serem utilizados novamente.

Montagem e utilização de escovas e discos metálicos

As escovas metálicas cónicas ou os discos metálicos são aparafusados directamente no veio da ferramenta de desbaste sem a ajuda dos encaixes. A protecção Tipo 27 é necessária quando utiliza escovas ou discos metálicos. Use luvas quando manusear escovas e discos metálicos. Podem ficar afiados. O disco ou a escova não devem entrar em contacto com o resguardo quando estiverem a ser instaladas ou utilizadas. Podem ocorrer danos não detetáveis no acessório, fazendo com que os fios se separem da válvula ou do disco de acessórios.

- ◆ Enrosque o disco no veio à mão.

- ◆ Prima o botão de bloqueio do veio e utilize uma chave de fendas no cubo do disco ou escova metálicos para apertar o disco.
- ◆ Para remover o disco, faça o inverso das instruções indicadas acima.

Atenção! Se não fixar corretamente o cubo do disco antes de ligar a ferramenta, poderão ocorrer danos na ferramenta ou no disco.

As escovas e os discos metálicos podem ser utilizados para remover ferrugem, lascas e tinta, e para o alisamento de superfícies irregulares.

Nota: Devem ser tomadas as mesmas precauções durante os trabalhos de limpeza com escova e de lixagem de tinta.

- ◆ Deixe a ferramenta atingir a velocidade máxima antes de tocar na superfície de trabalho.
- ◆ Aplique uma pressão mínima na superfície de trabalho, para que a ferramenta funcione a uma velocidade elevada. A velocidade de remoção de material é a mais elevada se a ferramenta funcionar a uma velocidade elevada.
- ◆ Mantenha um ângulo de 5° a 10° entre a ferramenta e a superfície de trabalho para escovas angulas de arame, como indicado na Figura O.
- ◆ Utilize as escovas de arame para manter o contacto entre o bordo do disco e a superfície de trabalho.
- ◆ Mova a ferramenta de maneira contínua para trás e para a frente para evitar a formação de estrias na superfície de trabalho. Se deixar a ferramenta sobre a superfície de trabalho e não a mover ou a deslocar em movimentos circulares, podem ocorrer queimaduras e efeitos circulares.
- ◆ Retire a ferramenta da superfície de trabalho antes de a desligar. Deixe a ferramenta parar de rodar antes de a pousar.

Atenção! Tenha especial atenção quando trabalhar num canto da mesa, uma vez que pode ocorrer um movimento brusco da rebarbadora.

Montagem dos discos de corte (tipo 41)

Os discos de corte incluem discos de diamante e abrasivos. Estão disponíveis discos de corte abrasivos para metal e betão. Também podem ser utilizadas lâminas de diamante para o corte de betão.

NOTA: Se utilizar discos de corte, é necessário uma protecção do tipo 41 para discos de corte fechada e com 2 abas laterais, vendida em separado. A não utilização de apoios e proteções adequadas pode dar origem a ferimentos resultantes da rutura do disco e do contacto com o disco.

Quando cortar discos, deve utilizar encaixes de apoio e porcas de fixação roscadas com o mesmo diâmetro (fornecidos com a ferramenta).

Montar os discos de corte

- ◆ Coloque a flange de apoio não roscada no veio com a parte levantada (piloto) virada para cima. A parte levantada (piloto) na flange de apoio fica virada para o disco quando o disco é instalado.
- ◆ Coloque o disco na flange de apoio, centrando o disco na parte levantada (piloto).
- ◆ Instale a porca de fixação roscada com a parte levantada (piloto) afastada do disco.
- ◆ Prima o botão de bloqueio do veio e aperte a porca de fixação com a chave de fendas (16) incluída.
- ◆ Para retirar o disco, prima o botão de bloqueio do veio e desaperte a porca de fixação roscada com a chave de fendas incluída.

Atenção! Não utilize discos de corte/retificação de arestas para tarefas de retificação de superfícies, porque não foram concebidos para as pressões laterais que ocorrem durante a retificação de superfícies. O disco pode partir-se e ocorrer ferimentos.

- ◆ Deixe a ferramenta atingir a velocidade máxima antes de tocar com a mesma na superfície de trabalho.
- ◆ Aplique uma pressão mínima na superfície de trabalho, para que a ferramenta funcione a uma velocidade elevada. A velocidade de corte é a mais elevada se a ferramenta funcionar a uma velocidade elevada.
- ◆ Depois de iniciar um corte e efetuar um entalhe na peça de trabalho, não altere o ângulo do corte. Se alterar o ângulo, o disco pode dobrar e partir-se.
- ◆ Retire a ferramenta da superfície de trabalho antes de a desligar. Deixe a ferramenta parar de rodar antes de a pousar.

Utilização

Atenção! Não altere o ritmo de funcionamento da ferramenta. Não sobrecarregue.

- ◆ Esteja preparado para uma torrente de faíscas quando o disco de lixa ou de corte tocar na peça.
- ◆ Posicione sempre a ferramenta de forma a que a protecção contra o disco de lixa ou corte seja a ideal.

Ligar e desligar

- ◆ Para ligar a ferramenta, faça deslizar para a frente o interruptor de desbloqueio (2).
- ◆ Para desligar a ferramenta, solte o interruptor de bloqueio (2) para trás.

Atenção! Não desligue a ferramenta sob carga.

Atenção! Encaixe sempre o desbloqueio quando não utilizar a ferramenta.

Sugestões para uma utilização ótima

- ◆ Segure com firmeza a ferramenta com uma mão no punho lateral e a outra no punho principal.

- ◆ Quando rebarbar, mantenha sempre um ângulo aproximado de 20° a 30° entre o disco e a superfície da peça.







Manutenção

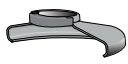
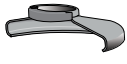


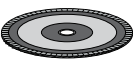

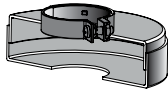
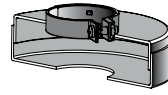






O seu aparelho/ferramenta com/sem fios BLACK+DECKER foi concebido para funcionar durante muito tempo, com um mínimo de manutenção. Uma utilização continuamente satisfatória depende de uma manutenção apropriada da ferramenta e de uma limpeza regular.

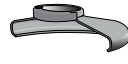
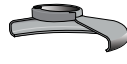





Atenção! Antes de proceder a qualquer ação de manutenção em ferramentas elétricas com cabo/sem fio:

- ◆ Desligue o aparelho/ferramenta e retire a respetiva ficha da tomada.
- ◆ Ou desligue e remova a pilha do aparelho/ferramenta caso o aparelho/ferramenta tenha uma bateria individual.
- ◆ Ou deixe a bateria descarregar completamente se estiver incorporada e, em seguida, desligue-a.
- ◆ Desligue o carregador antes de o limpar. O seu carregador não necessita de manutenção para além da limpeza regular.
- ◆ Limpe regularmente as aberturas de ventilação do aparelho/ferramenta/carregador com uma escova macia ou um pano seco.
- ◆ Limpe regularmente o compartimento do motor com um pano húmido. Não utilize produtos de limpeza abrasivos ou à base de solventes.

Gráfico de acessórios de corte e retificação

Disco de lixa	
 Protecção do tipo 27	 Protecção do tipo 27
 Flange de apoio não roscada	
 Disco central com depressão do tipo 27	 Disco com cubo do tipo 27
 Porca de fixação roscada	

Discos de lixa	
	
Proteção do tipo 27	Proteção do tipo 27
	
	Flange de apoio não roscada
	
Disco de lixa com cubo	disco de lixa sem cubo
	
	Porca de fixação roscada
Discos de corte do tipo 41	
	
Proteção do tipo 41	Proteção do tipo 41
	
Flange de apoio	Flange de apoio
	
Disco de corte abrasivo	Disco de corte de diamante
	
Porca de fixação	Porca de fixação

Escovas de arame	
	
Proteção do tipo 27	Proteção do tipo 27
	
Escova angular de arame de 3 polegadas	Escova angular de arame de 4 polegadas
Discos de lixa	
	
Proteção de apoio de borracha	
	
Disco para lixadora	
	
Porca de fixação roscada	

Proteção do ambiente



Faça uma recolha de lixo seletiva. Os produtos e as baterias assinaladas com este símbolo não devem ser eliminados juntamente com o lixo doméstico normal.

Os produtos e as baterias contêm materiais que podem ser recuperados ou reciclados, reduzindo assim a necessidade de matérias-primas.

Recicle os produtos elétricos e as baterias de acordo com as disposições locais. Estão disponíveis mais informações em www.2helpU.com

Declaração de conformidade CE
DIRETIVA "MÁQUINAS"



Esmerilador angular BCG720

A Black & Decker declara que os produtos descritos em "dados técnicos" estão em conformidade com as seguintes normas:

2006/42/CE, EN 60745-1:2009+A11:2010;
EN 60745-2-3:2011+A2:2013+A11:2014
+A12:2014+A13:2015

Estes produtos estão também em conformidade com a Diretiva 2014/30/UE e 2011/65/UE.

Para obter mais informações, contacte a Black & Decker através do endereço seguinte ou consulte o verso do manual.

O signatário é responsável pela compilação do ficheiro técnico e efetua esta declaração em nome da Black & Decker.

R. Laverick
Director de Engenharia
Black & Decker Europe, 210 Bath Road, Slough,
Berkshire, SL1 3YD
Reino Unido
10/01/2018

Dados técnicos

		BCG720 M1	BCG720 N
Tensão de entrada	V _{DC}	18	18
Velocidade nominal (sem carga)	min. ⁻¹	8600	8600
Furo do disco	mm	22	22
Espessura máxima do disco			
Discos de lixa	mm	6	6
Discos de corte	mm	3,5	3,5
Tamanho do eixo		M14	M14
Peso	Kg	2,1, menos a bateria e o disco	2,1, menos a bateria e o disco
Bateria		BL4018	Unidade sem acessórios (não incluída)
Tensão	V _{CC}	18	
Capacidade	Ah	4,0	
Tipo		lões de lítio	
Carregador		9059995*	Unidade sem acessórios (não incluída)
Tensão de entrada	V _{AC}	230	
Voltagem de Saída	V _{CC}	18	
Corrente	A	1,0	
Tempo de carga aprox.	Horas	4	

Nível de pressão acústica de acordo com a norma EN 60745:
Pressão acústica (L _{PA}) 76dB(A), variabilidade (K) 4 dB(A)
potência acústica (L _{WA}) 87dB(A), variabilidade (K) 4 dB(A)

Valores totais de vibração (soma vetores triaxiais) de acordo com a EN 60745:
Retificação de superfícies (a _{h,SO}): 7,3 m/s ² , K=1,5 m/s ² .
Lixagem de discos (a _{h,DS}): 1,9 m/s ² , K=1,5 m/s ² .
Polimento (a _{h,P}): 8,6 m/s ² , K=2,4 m/s ² .
Escovagem metálica (a _{h,MB}): 3,8 m/s ² , K=1,5 m/s ² .
Corte (a _{h,CO}): 4,0 m/s ² , K=1,5 m/s ² .

Garantia

A Black & Decker confia na qualidade dos seus produtos e oferece aos clientes uma garantia de 24 meses a partir da data de compra. Esta garantia é um complemento dos seus direitos estabelecidos por lei, não os prejudicando de forma alguma. A garantia é válida nos Estados-membros da União Europeia e nos países-membros da Zona Europeia de Comércio Livre.

Para acionar a garantia, esta deve estar em conformidade com os termos e condições da Black & Decker e terá de apresentar comprovativos de compra ao vendedor ou a um agente de reparação autorizado. Os termos e condições da garantia de 2 anos da Black & Decker e a localização do agente de reparação autorizado mais próximo podem ser obtidos na Internet em www.2helpU.com ou contactando uma filial da Black & Decker, cuja morada está indicada neste manual.

Visite o nosso Website www.blackanddecker.co.uk para registar o novo produto Black & Decker e receber actualizações sobre novos produtos e ofertas especiais.

Avsedd användning

Din BLACK+DECKER BCG720 M1, BCG720 N vinkelslip är avsedd för att slipa och skära metall och murverk med lämplig typ av kapskiva eller slipskiva. Verktøyet måste utrustas med det passande skyddet. Detta verktyg är endast avsett för konsumentbruk.

Säkerhetsinstruktioner

Allmänna säkerhetsanvisningar för elverktøyet



Varning! Läs alla säkerhetsvarningar och instruktioner. Fel som uppstår till följd av att varningarna och instruktionerna som listas nedan inte följs kan orsaka elstøt, brand och/eller allvarliga kroppsskador.

Spara alla säkerhetsföreskrifter och anvisningar för framtida bruk. Begreppet "Elverktøyet" i alla varningar som listas nedan avser nätdrivna elverktøyet (med nätsladd) och batteridrivna elverktøyet (sladdlösa).

1. Säkerhet på arbetsplatsen

- Se till att arbetsområdet är rent och väl belyst.** Belamrade och mörka områden inbjuder till olyckor.
- Använd inte elverktøyet i explosionsfarlig omgivning, t.ex. i närheten av brännbara vätskor, gaser eller damm.** Elverktøyet skapar gnistor som kan antända damm eller ångor.
- Håll barn och åskådare på avstånd vid arbete med elverktøyet.** Distractioner kan göra att du förlorar kontrollen.

2. Elsikkerhet

- Elverktøyet stickkontakt måste passa i eluttaget. Modifiera aldrig kontakten på något sätt. Använd inga adapterkontakter tillsammans med jordade elverktøyet.** Icke modifierade kontakter och passande uttag minskar risken för elektrisk støt.
- Undvik kroppskontakt med jordade ytor, t.ex. rör, värmelement, spisar och kylskåp.** Det finns en ökad risk för elektrisk støt om din kropp är jordansluten eller jordad.
- Utsätt inte elverktøyet för regn eller våta omgivelningar.** Vatten som kommer in i ett elverktøyet ökar risken för elektrisk støt.
- Misshandla inte nätsladden. Använd aldrig sladden för att bära, dra eller koppla bort elverktøyet från uttaget. Håll sladden borta från värme, olja, skarpa kanter eller rörliga delar.** Skadade eller tillrasslade sladdar ökar risken för elektrisk støt.
- Använd en förlängningsladd som lämpar sig för utomhusbruk när du arbetar med elverktøyet utomhus.**

Användning av en sladd som är lämplig för utomhusbruk minskar risken för elektriska støtar.

- Om du måste använda ett elverktøyet på en fuktig plats, bör du använda en strømforsörjning med jordfelsbrytare.** Användning av en jordfelsbrytare minskar risken för elektrisk støt.
- ### 3. Personlig sikkerhet
- Var uppmärksam, se på vad du gör och använd sunt omdöme när du använder elverktøyet. Använd inte ett elverktøyet när du är trött eller påverkad av droger, alkohol eller mediciner.** Ett ögonblicks ouppmärksamhet när du arbetar med elektriska verktyg kan leda till allvarliga personskador.
 - Använd personlig skyddsutrustning. Använd alltid skyddsglasögon.** Skyddsutrustning såsom dammfilterskydd, halssäkra säkerhetsskor, skyddshjälme eller hörselskydd som används för lämpliga förhållanden minskar personskador.
 - Förhindra oavsiktlig start. Kontrollera att strømbrytaren står i avstängt läge innan du ansluter verktøyet till elnätet eller sätter i batteriet, samt innan du tar upp eller bär verktøyet.** Att bära elektriska verktyg med fingret på strømbrytaren eller att koppla strømmen till elektriska verktyg när strømbrytaren är på leder till olyckor.
 - Ta bort alla inställningsverktøyet och skruvnycklar innan du startar elverktøyet.** Ett verktøyet eller en nyckel som har lämnats kvar på en roterande del av det elektriska verktøyet kan orsaka kroppsskador.
 - Sträck dig inte för mycket. Ha ordentligt föfäste och balans hela tiden.** Detta möjliggör bättre kontroll av elverktøyet i oväntade situationer.
 - Bär lämpliga kläder. Bär inte lösa kläder eller smycken. Håll hår, beklädnad och handskar borta från delar i rörelse.** Lösa kläder, smycken eller långt hår kan fastna i rörliga delar.
 - Om enheten har dammsugnings- och uppsamlingsutrustning, se till att den är ansluten och används på korrekt sätt.** Användning av dammuppsamling kan minska dammrelaterade risker.
 - Låt inte förtrogenheten som uppstått genom regelbunden användning av verktøyet låta dig bli självsäker och ignorera verktøyet säkerhetsprinciper.** En oförsiktig handling kan orsaka allvarliga skador under bråkdelen av en sekund.
- ### 4. Användning och skötsel av elverktøyet
- Överbelasta inte elverktøyet. Använd rätt elverktøyet för ditt arbete.** Det korrekta elverktøyet gör arbetet bättre och säkrare vid den hastighet för vilket det konstruerades.
 - Använd inte elverktøyet om det inte kan startas och stängas av med strømbrytaren.** Ett elverktøyet som inte

kan kontrolleras med strømbrytaren är farligt och måste repareras.

- Dra stickproppen ur vägguttaget och/eller ta ut batteriet ur elverktøyet innan inställningar görs, tillbehörs byts ut eller elverktøyet ställs undan.** Sådana förebyggande säkerhetsåtgärder minskar risken att oavsiktligt starta elverktøyet.
 - Förvara elverktøyet utom räckhåll för barn och låt inte personer som är ovana vid elverktøyet eller som inte läst denna bruksanvisning använda det.** Elverktøyet är farliga i händerna på ovana användare.
 - Underhåll elverktøyet. Kontrollera att rörliga komponenter fungerar felfritt och inte kärvar, att komponenter inte gått sönder eller skadats och inget annat föreligger som kan påverka elverktøyet funktion. Om det är skadat, se till att elverktøyet blir reparerat före användning.** Många olyckor orsakas av dåligt underhållna elektriska verktyg.
 - Håll skärande verktøyet vassa och rena.** Korrekt underhållna kapverktøyet med vassa skär är mindre troliga att de fastnar och är lättare att kontrollera.
 - Använd elverktøyet, tillbehör, bits m.m. enligt dessa anvisningar, samtidigt som arbetsförhållandena och det arbete som ska utföras beaktas.** Användning av elverktøyet för andra uppgifter än vad som avsetts kan resultera i farliga situationer.
 - Håll handtagen och greppytorna torra, rena och fria från olja och fett.** Håla handtag och greppytorna förhindrar säker hantering och kontroll av verktøyet i oväntade situationer.
- ### 5. Användning och skötsel av batteridrivet verktøyet
- Ladda endast med den laddare som är specificerad av tillverkaren.** En laddare som passar en batterityp kan medföra brandrisk om den används ihop med ett annat batteri.
 - Använd endast de batteripaket som är speciellt avsedda för elverktøyet.** Användning av andra batteripaket kan leda till personskador eller eldsvåda.
 - När batteriet inte används ska du hålla det åtskilt från metallföremål som gem, mynt, nycklar, spik, skruvar och andra små metallföremål som kan orsaka kortslutning mellan batteriets poler.** Kortslutning av batteripolerna kan leda till brännskador eller eldsvåda.
 - Under olämpliga förhållanden kan vätska spruta ut från batteriet. Undvik kontakt. Vid oavsiktlig kontakt, spola med vatten. Om vätskan kommer i kontakt med ögonen, sök också läkarhjälp.** Vätska som sprutar ur batteriet kan orsaka sveda och brännskador.
 - Använd inte batteripaket eller verktøyet som är skadade eller modifierade.** Skadade eller modifierade batterier kan uppträda oväntat och det kan resultera i brand, explosion eller skador.

- Utsätt inte batteripaket eller verktøyet för brand eller höga temperaturer.** Exponering för brand eller temperaturer över 130 °C kan orsaka en explosion.
- Följ laddningsinstruktionerna och ladda inte batteripaketet eller verktøyet utanför det temperaturområde som specificeras i instruktionerna.** Felaktig laddning eller vid temperaturer utanför den specificerade området kan skada batteriet och öka risken för brand.

6. Service

- Låt en kvalificerad reparatör som bara använder identiska reservdelar utföra service på elverktøyet.** Detta säkerställer att elverktøyet säkerhet bibehålls.
- Gör aldrig service på skadade batteripaket.** Service på batteripaket skall endast utföras av tillverkaren eller auktoriserad servicepersonal.

Ytterligare säkerhetsanvisningar för elverktøyet



Varning! Ytterligare säkerhetsvarningar för vinkelslipning, slipning, trådborstning, polering eller slipanden kapningsarbeten:

- ◆ **Det här elverktøyet är avsett att användas som vinkelslip, slipmaskin, trådborstning, polering och kapning. Läs alla säkerhetsvarningar, instruktioner, illustrationer och specifikationer som levereras med detta elverktøyet.** Underlåtenhet att läsa alla instruktioner som listas här nedan kan resultera i elektrisk støt, eldsvåda och/eller allvarlig personskada.
- ◆ **Arbetsmoment för vilka elverktøyet inte är konstruerat kan eventuellt ge upphov till fara och orsaka personskada.**
- ◆ **Använd inte tillbehör som inte är specifikt konstruerade och rekommenderade av verktøyetstillverkaren.** Bara för att tillbehöret kan monteras på ditt elverktøyet, garanterar inte att det är säkert att använda.
- ◆ **Angiven hastighet för tillbehöret måste vara åtminstone lika med den maximala hastighet som elverktøyet är märkt med.** Tillbehör som går snabbare än sitt nominella varvtal kan brytas sönder och splittras.
- ◆ **Tillbehörets ytterdiameter och tjocklek måste ligga inom elverktøyet kapacitetsmärkning.** Tillbehör med fel storlek kan inte skyddas eller kontrolleras korrekt.
- ◆ **Tillbehörens gängfäste måste motsvara slipmaskinens spindelgänga.** För tillbehör monterade med flansar måste spindelhålet på tillbehöret passa fixeringsdiametern på flänsen. Tillbehör med som inte matchar elverktøyet monterade hårdvara kommer att gå obalanserat, vibrera för mycket och kan orsaka att man tappar kontrollen.

- ◆ Använd inte ett skadat tillbehör. Före varje användning, inspektera tillbehör såsom sliptrissor med avseende på flisor och sprickor, stödrondell med avseende på sprickor, nötning eller för stort slitage, stålborste med avseende på lösa eller spruckna trådar. Om elverktyg eller tillbehör tappas, kontrollera att det inte är skadat och installera vid behov ett felfritt tillbehör. När du har kontrollerat och monterat ett tillbehör ska du köra elverktyget med maximal hastighet utan belastning i en minut. Skadade tillbehör kommer i vanliga fall att gå sönder vid denna testkörning.
- ◆ Använd personlig skyddsutrustning. Beroende på tillämpning, använd ansiktsskydd, skyddsglasögon eller säkerhetsglasögon. Efter vad som är lämpligt, bär dammfilterskydd, hörselskydd, handskar och verkstadsförkläde som klarar av att stoppa små slipande delar eller bitar av arbetsstycket. Ögonskyddet måste klara av att stoppa flygande skräp som skapas av diverse arbetsmoment. Damm- eller andningsskyddet måste kunna filtrera partiklar från det du arbetar med. Att utsättas för buller under en lång tid kan orsaka hörselskador.
- ◆ Håll andra personer på säkert avstånd från arbetsområdet. Alla som kommer in i arbetsområdet måste ha personlig skyddsutrustning. Bitar av arbetsstycket eller av ett trasigt tillbehör kan slungas iväg och orsaka personskada bortom det omedelbara arbetsområdet.
- ◆ Håll elverktyget i de isolerade greppytorna när arbete utförs där sågtillbehöret kan komma i kontakt med dolda elledningar eller dess egen sladd. Skärande tillbehör som kommer i kontakt med en strömförande ledning kan göra oskyddade metalldelar på elverktyget strömförande och ge användaren en elstöt.
- ◆ Använd klämmor eller något annat praktiskt sätt att stödja arbetsstycket vid ett stabilt underlag. Att hålla arbetet för hand eller mot kroppen är instabilt och kan göra att du förlorar kontrollen.
- ◆ Placera sladden så den går fri från roterande tillbehör. Om du tappar kontrollen kan sladden bli kapad eller fastna, och din hand eller arm kan dras in i det roterande tillbehöret.
- ◆ Lägg aldrig ifrån dig elverktyget förrän tillbehöret har stannat helt och hållet. Det roterande tillbehöret kan hugga tag i ytan och dra iväg verktyget så att du tappar kontrollen över det.
- ◆ Kör inte elverktyget medan du bär det vid sidan. Oavsiktlig kontakt med det roterande tillbehöret skulle kunna ta tag i dina kläder och dra in tillbehöret i din kropp.
- ◆ Rengör regelbundet elverktygets ventilationsöppningar. Motors fläkt kommer att dra in dammet i kåpan, och för stor ansamling av metall i pulverform kan utgöra elektriska risker.

- ◆ Använd inte elverktyget i närheten lättantändliga ämnen. Gnistor skulle kunna antända dessa material.
- ◆ Använd inte tillbehör som kräver flytande kylmedel. Användning av vatten eller andra flytande kylmedel kan leda till livsfarlig elstöt eller stöt.

Notera: Ovanstående varning gäller inte för elverktyg som har konstruerats speciellt för användning med ett vätskesystem.

Kast och tillhörande varningar

Rekyl är en plötslig reaktion när en roterande skiva, stödrondell, borste eller något annat tillbehör körs eller kläms fast. Det roterande tillbehöret bromsas då hastigt vilket i sin tur gör att det okontrollerade elverktyget tvingas i motsatt riktning mot tillbehörets rotation vid den punkt där stoppet uppstår.

Om till exempel en slipskiva fastnar eller kläms fast av arbetsstycket, kan skivans kant vid klämpunkten gräva sig in i materialet och få skivan att hoppa ut eller rekylera. Skivan kan antingen kastas mot användaren eller bort från denne, beroende på skivans rörelseriktning och den punkt där den fastnar. Slipskivor kan dessutom brytas sönder under dessa förhållanden.

Rekyler uppstår till följd av felaktig användning och/eller hantering av elverktyget. De kan undvikas med de skyddsåtgärder som beskrivs nedan.

- ◆ Håll ett fast grepp om elverktyget och placera kroppen och armarna på ett sätt som gör att du kan stå emot kraften från eventuella kast. Använd alltid ett extrahandtag, om sådant finns, för maximal kontroll över kast och momentrörelser vid start. Användaren kan kontrollera vridmomentreaktion eller rekylkrafter, om korrekta försiktighetsåtgärder vidtas.
- ◆ Placera aldrig din hand nära ett roterande tillbehör. Tillbehöret kan rekylera över din hand.
- ◆ Placera inte din kropp i ett område dit elverktyget kommer att förflyttas om ett kast inträffar. Rekylen kan komma att kasta verktyget i motsatt riktning mot skivans rörelse vid klämpunkten.
- ◆ Var särskilt försiktig när du arbetar med hörn, skarpa kanter, osv. Undvik att låta tillbehöret studsas eller hakas fast. Hörn, vassa kanter eller studsande har en tendens att hugga tag i det roterande tillbehöret och orsaka kontrollförlust eller rekyl.
- ◆ Montera inte ett träsnidningsblad eller ett tandat sågblad. Sådana klingor ger ofta upphov till rekyl och förlust av kontroll.

Säkerhetsanvisningar som är specifika för slipning och kapning

- ◆ Använd bara skivor av den typ som rekommenderas för ditt elverktyg och det speciella skydd som är konstruerat för den aktuella skivan. Skivor som elverktyget inte är konstruerat för kan inte skyddas ordentligt och är inte säkra.
- ◆ Slipytan på skivor med försänkt nav måste monteras nedanför skyddsflänsens plan. Felaktigt monterad skiva som skyddas av nivån av skyddsklacken kan inte var tillräckligt skyddande.
- ◆ Skyddet måste fästas ordentligt på elverktyget och placeras för maximal säkerhet så att så lite som möjligt av skivan är exponerad mot användaren. Skyddet hjälper till att skydda operatören från trasiga skivfragment, oavsiktlig kontakt med skivan och gnistor som kan antända kläder.
- ◆ Skivor får bara användas i tillämpningar de rekommenderas för. Exempelvis: Slipa inte med sidan av en kapskiva. Slipande kapskivor är avsedda för slipning med ytterkanten och om dessa skivor utsätts för sidokrafter kan de splittras.
- ◆ Använd alltid oskadade skivflänsar med rätt storlek och form för den skiva du tänker använda. Rätt skivflänsar stödjer skivan och minskar på så sätt risken att skivan ska splittras. Flänsar för kapskivor kan vara annorlunda än flänsar för slipskivor.
- ◆ Använd inte nedslitna skivor från större elverktyg. Skivor som är avsedda för större elverktyg lämpar sig inte för den högre hastigheten hos mindre verktyg och kan brytas sönder.

Ytterligare säkerhetsanvisningar som är specifika för kapning

- ◆ Låt inte kapskivan fastna och tryck inte för hårt. Försök inte skära för djupt. Att belasta skivan för mycket ökar risken och sannolikheten för att skivan ska vridas eller kärva i snittet och möjligheten för rekyl eller att skivan går sönder.
- ◆ Stå inte i linje med och bakom den roterande skivan. När skivan, på arbetspunkten rör sig bort ifrån din kropp, kan en eventuell rekyl slunga den roterande skivan och elverktyget rakt mot dig.
- ◆ Om skivan fastnar, eller om kapningen av någon anledning avbryts, ska du stänga av elverktyget och hålla det stilla tills skivan helt slutat att snurra. Försök aldrig ta bort skivan ur skärspåret medan skivan snurrar eftersom detta kan leda till kast. Undersök varför skivan har fastnat och avlägsna orsaken till detta.
- ◆ Återuppta inte kapningen av arbetsstycket med skivan i skärspåret. Låt skivan nå full hastighet och återgå försiktigt till kapningen. Skivan kan fastna, vandra upp eller rekylera om verktyget startas om i arbetsstycket.

- ◆ Stöd skivor eller överdimensionerade arbetsstycken för att minimera risken att skivan fastnar och får bakslag. Stora arbetsstycken tenderar att svikta under sin egen vikt. Stöd måste placeras under arbetsstycket nära kaplinjen och nära kanten på arbetsstycket på båda sidor av skivan.
- ◆ Var extra försiktig vid "instickskapning" i befintliga väggar eller andra dolda områden. Den utstickande skivan kan skära in i vattenrör, elledningar eller objekt som kan orsaka en rekyl.

Säkerhetsanvisningar som är specifika för sandpappersslipning

- ◆ Använd inte sandpapper som är alldeles för stora. Följ tillverkarens rekommendationer när du väljer sandpapper. Större sliprondeller som når utanför stödrondellen utgör en risk för rivsår, kan orsaka fastkörning och sönderslitning av skivan eller rekyl.

Speciella säkerhetsvarningar för poleringsarbeten

- ◆ Låt ingen lös del av poleringshättan eller dess fästnoddar snurra fritt. Stoppa undan eller klipp bort alla eventuella lösa fastsättningsband. Lösa och roterande fastsättningsband kan trassla in sig i dina fingrar eller fastna i arbetsstycket.

Säkerhetsanvisningar som är specifika för stålborstning

- ◆ Tänk på att stålborst kan lossna från borsten även under normal användning. Slit inte för hårt på trådarna genom att applicera för stor belastning på borsten. Trådstråna kan lätt tränga igenom lätt beklädnad och/eller huden.
- ◆ Om ett skydd rekommenderas för stålborstning får ingen del av trådskivan eller borsten komma i kontakt med skyddet. Trådskivan eller borsten kan expandera i diameter på grund av arbetsbelastningen och centrifugalkrafterna.



Varning! Slipning/vinkelslipning ger upphov till damm som kan skada den som använder verktyget och andra i närheten vid kontakt eller inandning. Använd en specialkonstruerad ansiktsmask som skyddar mot damm och ångor och se till att personer som vistas inom eller i närheten av arbetsområdet också är skyddade.

Andras säkerhet

- ◆ Denna apparat är inte avsedd att användas av personer (inklusive barn) med reducerad fysisk, sensorisk eller mental förmåga eller med begränsad erfarenhet eller kunskap såvida inte de är under uppsikt eller fått instruktioner om användning av apparaten av en person som är ansvarig för deras säkerhet.

- ◆ Barn ska hållas under uppsikt så att de inte leker med verktyget.

Övriga risker

Ytterligare risker som inte finns med i de bifogade säkerhetsanvisningarna kan uppstå när verktyget används. Dessa risker kan uppstå vid felaktig eller långvarig användning, etc.

Även om alla relevanta säkerhetsanvisningar följs och säkerhetsanordningar används kan vissa ytterligare risker inte undvikas. Dessa omfattar:

- ◆ Skador orsakade av att roterande/rörliga delar vidrörs.
- ◆ Skador som uppstår vid byte av delar, blad eller tillbehör.
- ◆ Skador som orsakas av långvarig användning av ett verktyg. Se till att regelbundet ta vilopauser när du använder ett verktyg under en längre period.
- ◆ Hörselnedsättning.
- ◆ Hälsorisker orsakade av inandning av damm när redskapet används (exempel: arbete med trä, särskilt ek, bok och MDF.)

Vibrationer

De vibrationsvärden som anges i avsnitten Tekniska data och deklARATIONEN om överensstämmelse har uppmätts i enlighet med en standardtestmetod föreskriven i EN 60745 och kan användas för jämförelse med andra verktyg. Det angivna vibrationsvärdet kan även användas för en preliminär bedömning av exponeringen.

Varning! Vibrationsvärdet under faktisk användning av elverktyget kan skilja sig från det uppgivna värdet beroende på hur verktyget används. Vibrationsnivån kan överstiga den uppgivna nivån.

Vid uppskattningar av exponering för vibrationer i syfte att bedöma vilka säkerhetsåtgärder som är nödvändiga enligt 2002/44/EG för att skydda personer som regelbundet använder elverktyg i arbetet ska man utgå från de faktiska omständigheter under vilka elverktyget används och sättet på vilket det används. Bedömningen ska även ta hänsyn till alla moment i arbetscykeln, t.ex. när verktyget är avstängt och när det går på tomgång såväl som när det faktiskt används.

Etiketter på verktyget

Följande symboler tillsammans med datumkoden visas på verktyget:



Varning! Läs bruksanvisningen före användning för att minska risken för personskador.



Bär alltid skydds- eller korgglasögon när du använder verktyget.



Använd alltid hörselskydd när du använder verktyget

Ytterligare säkerhetsinstruktioner för batterier och laddare

Batteri (endast BCG720M1 enheten)

- ◆ Försök aldrig öppna batteriet.
- ◆ Utsätt inte batteriet för vatten.
- ◆ Förvara inte apparaten på platser där temperaturen kan bli högre än 40 °C.
- ◆ Ladda endast vid temperaturer mellan 10 °C och 40 °C.
- ◆ Ladda endast med hjälp av laddaren som medföljer verktyget.
- ◆ Följ instruktionerna som anges i avsnittet "Skydda miljön" när du kastar batterierna.



Försök inte ladda skadade batterier.

Batteri (endast BCG720M1 enheten)

- ◆ Använd endast laddaren från BLACK+DECKER för att ladda batteriet i det apparat som laddaren levererades med. Andra batterier kan spricka och orsaka personskador och andra skador.
- ◆ Försök aldrig ladda batterier som inte är uppladdningsbara.
- ◆ Byt defekta sladdar omgående.
- ◆ Utsätt inte laddaren för vatten.
- ◆ Öppna inte laddaren.
- ◆ Gör ingen åverkan på laddaren.



Laddaren är endast avsedd för inomhusbruk.



Läs bruksanvisningen före användning

Elsäkerhet



Eftersom laddaren är dubbelisolerad behövs ingen jordledare. Kontrollera alltid att nätspänningen överensstämmer med spänningen på typskylten. Försök aldrig byta ut laddaren mot en vanlig nätkontakt.

- ◆ Om nätsladden är skadad måste den bytas ut av tillverkaren eller ett auktoriserat BLACK+DECKER servicecenter för att undvika farliga situationer.

Funktioner

Detta verktyg har några eller samtliga av följande funktioner.

1. Läsreglage
2. Strömbrytare
3. Sidohandtag
4. Spindelläs
5. Slipskydd
6. Slipskiva
7. Batteriuttag
8. Batteri (endast BCG720M1 enheten)

Ladda ett batteri (bild A)

BLACK+DECKER laddare är designade för att ladda BLACK+DECKER batteripaket.

- ◆ Koppla in laddaren (9) i lämpligt uttag innan batteripaketet (8) sätts i.
- ◆ Sätt i batteripaketet pack (8) i laddaren, se till att batteripaketet är helt isatt i batteriöppningen (bild A).



Lysdioden (9a) blinkar vilket indikerar att batteriet laddas.



När laddningen är klar indikeras det av ett LED lyser konstant. Batteriet är fulladdat och kan nu användas eller lämnas i laddaren.

- ◆ Ladda urladdade batterier så snart som möjligt efter användning, i annat fall kan batterilivslängden minska betydligt. För att uppnå maximal batterilivslängd bör du inte ladda ur batteriet helt och hållet. Vi rekommenderar att du laddar batterierna efter varje användning.

Laddardiagnostik (bild B)

Denna laddare är designad att upptäcka vissa problem som kan uppstå med batteripaketet eller strömkällan. Problemen indikeras av en LED-blinkning i olika mönster.

Dåligt batteri



Laddaren kan upptäcka ett svagt eller skadat batteri. LED blinkar i mönstret som anges på etiketten. Om du ser detta blinkmönster för dåligt batteri, fortsätt då inte att ladda batteriet. Returnera det till ett servicecenter eller lämna det till batteriinsamlingen.

Varm/kall paketfördröjning



När laddaren upptäcker ett batteri som är överdrivet hett eller överdrivet kallt, kommer den automatiskt att starta en varm/kall paketfördröjning och avbryta laddningen tills batteriet har nått en lämplig temperatur. När detta sker växlar laddaren automatiskt till paketladdningsläget. Denna funktion garanterar maximal batterilivslängd. Lampan blinkar i mönstret som anges på etiketten.

Lämna batteriet i laddaren

Batteriet kan sitta kvar i laddaren och laddaren kan vara ansluten till vägguttaget hur länge som helst när indikatorn lyser. Laddaren ser till att batteriet hålls fräscht och fulladdat. Denna laddaren har ett automatiskt finjusteringsläge som jämnar ut eller balanserar de enskilda cellerna i batteripaketet för att det skall fungera med toppkapacitet. Batteripaketet skall finjusteras varje vecka eller närhelst batteriet inte längre levererar samma arbetsmängd. För att använda de automatiska finjusteringsläget, placera batteripaketet i laddaren och lämna det där i minst åtta timmar.

Viktiga anmärkningar gällande laddning

- ◆ Längsta livslängd och bäst prestanda erhålls om batteripaketet laddas när lufttemperaturen är mellan 18°C - 24 °C. Ladda INTE batteripaketet i en lufttemperatur under +4,5 °C eller över +40 °C. Detta är viktigt och kommer att förhindra allvariga skador på batteripaketet.
- ◆ Laddaren och batteripaketet kan bli för varma att vidröra under laddningen. Detta är normalt och indikerar inte något problem. För att möjliggöra kylning av batteripaketet, undvik att placera laddaren eller batteripaketet på en varm plats såsom i ett metallskjul eller i en oisolerad vagn.
- ◆ Om batteripaketet inte laddar korrekt:
 - ◆ Kontrollera eluttaget genom att ansluta en lampa eller någon annan apparat;
 - ◆ Kontrollera om uttaget är anslutet till en strömbrytare som stänger av strömmen när du släcker ljuset;
 - ◆ Flytta laddaren och batteripaketet till en plats där den omgivande temperaturen är ungefär 18°C - 24 °C;
 - ◆ Om laddningsproblemen kvarstår, lämna verktyget, batteripaketet och laddaren till ditt lokala servicecenter.
- ◆ Batteripaketet måste laddas när de inte längre kan producera tillräckligt med energi för jobb som enkelt utfördes tidigare. FORTSÄTT INTE att använda det under dessa förhållanden. Följ laddningsproceduren. Du kan också ladda ett delvis använt paket när du så önskar utan att det har någon negativ effekt på batteripaketet.
- ◆ Främmande föremål som är ledande såsom, men inte begränsat till, slipdamm, metallspån, stålull, aluminiumfolie eller ansamling av metallpartiklar bör hållas borta från laddningshållrummet. Koppla ifrån laddaren vid rengöring.
- ◆ Frys inte eller sänk ned laddaren i vatten eller annan vätska.

Montera och ta bort batteriet (bild C, D)

- ◆ Sätt i batteriet (8) genom att placera det i linje med kontakten på verktyget (7). Skjut in batteriet i facket och tryck tills batteriet snäpper på plats.
- ◆ Ta ur batteriet genom att trycka på dess lås knapp (8a) samtidigt som du drar ut batteriet från dess plats.

Montering

Varning! Innan montering, se till att verktyget är avstängt och att batteriet har tagits bort.

Montera och ta bort bladet (bild E, F, G)

Verktyget är utrustat med ett skydd som bara är avsett för slipning (typ 27). Om verktyget ska användas för kapning måste ett skydd som är speciellt avsett för detta (typ 41) monteras. Ett lämpligt skydd med artikelnummer 1004702-44 (för 125 mm kapskivor) finns tillgängliga och kan erhållas från BLACK+DECKER servicecenter.

- ◆ Placera verktyget på ett bord med spindeln (11) riktad uppåt.
- ◆ Lossa spårren och håll skyddet över verktyget som bild E visar.
- ◆ Rikta in klackarna (5a) mot spårren (10) såsom visas i bild F.
- ◆ Tryck ned skyddet och rotera det moturs till önskat läge såsom visas i bild G.
- ◆ Dra åt skyddshaken för att fästa skyddet på verktyget.
- ◆ Om det behövs drar du åt skruven för att det ska sitta hårdare.

Borttagning

- ◆ Lossa skyddshakens skruv.
- ◆ Roterar skyddet medurs för att rikta in klackarna (5a) mot spårren (10).
- ◆ Ta bort skyddet från verktyget.

Varning! Använd aldrig verktyget utan skyddet.

Montering av sidohandtaget

- ◆ Skruva in sidohandtaget (3) i ett av monteringshålen på verktyget.

Varning! Använd alltid sidohandtaget.

Montera och ta bort slipskivor, kapskivor eller lamellrondeller (bild H, I, J, K, L)

Använd alltid rätt typ av skiva för det aktuella arbetet.

Använd alltid skivor med rätt diameter och hålstorlek (se tekniska data).

Fastsättning

- ◆ Montera skyddet enligt beskrivningen ovan.
- ◆ Placera den inre flänsen (12) på spindeln (11) så visas i bild H. Se till att flänsen är korrekt placerad på de platta sidorna av spindeln.
- ◆ Placera skivan (6) på spindeln (11) såsom visas i bild H. Om skivan har ett förhöjt centrum, se till att den upphöjda centrumet riktas mot den inre flänsen.
- ◆ Se till att skivan sitter rätt på den inre flänsen.
- ◆ Placera den yttre flänsen (14) på spindeln. När du monterar en slipskiva måste det upphöjda centrumet på den yttre flänsen vara riktad mot skivan (A i bild I). När du monterar en kapskiva måste den upphöjda mittdelen på den yttre flänsen vara riktad bort från skivan (B i Fig. I).
- ◆ Håll spindellåset (4) intryckt och dra åt den yttre flänsen med tvåstiftsnyckeln (16) (bild J).

Borttagning

- ◆ Håll spindellåset (4) intryckt och lossa den yttre flänsen (14) med tvåstiftsnyckeln (16) (bild J).
- ◆ Ta bort den yttre flänsen (14) och skivan (6).

Ytslipning med slipskivor

- ◆ Låt verktyget nå full hastighet innan verktyget kommer i kontakt med arbetsytan.
- ◆ Använd minimalt med tryck på arbetsytan, låt verktyget arbeta med hög hastighet. Sliphastigheten är bäst när verktyget arbetar med hög hastighet.
- ◆ Upprätthåll en vinkel på 20° till 30° mellan verktyget och arbetsytan såsom visas i bild L.
- ◆ Rör verktyget kontinuerligt i en rörelse framåt och bakåt för att undvika att skapa urholkningar i arbetsytan.
- ◆ Ta bort verktyget från arbetsytan innan verktyget stängs av. Låt verktyget sluta rotera innan det läggs ned.

Kantslipning med slipskivor

Skivor som används för kapning och kantslipning kan gå sönder eller orsaka kast om de böjs eller vrids om verktyget används vid kapning eller djupslipning.

Kantslipning/kapning med typ 27 skivor måste begränsas till grund skärning och falsning, mindre än 13 mm djupt när skivan är ny. Minska djupet på kapningen/falsningen lika mycket som skivans radie slits ned. Se "Slipnings- och kap tillbehörstabellen" i slutet av denna manual för ytterligare information.

Kantslipning/kapning med en typ 41 skiva kräver användning av ett typ 41 skydd.

- ◆ Låt verktyget nå full hastighet innan verktyget kommer i kontakt med arbetsytan.
- ◆ Använd minimalt med tryck på arbetsytan, låt verktyget arbeta med hög hastighet. Sliphastigheten är bäst när verktyget arbetar med hög hastighet.
- ◆ Placera dig själv så att den öppna undersidan på skivan riktas bort från dig.
- ◆ När kapningen börjar och en skåra skapats i arbetsstycket ändra inte vinkeln på kapningen. Ändring av vinkeln kommer att göra att skivan böjs och kan gå sönder. Kantslipningsskivor är inte designade för att stå emot sidotryck som orsakas av böjningar.
- ◆ Ta bort verktyget från arbetsytan innan verktyget stängs av. Låt verktyget sluta rotera innan det läggs ned.

Varning! Använd inte kantslipnings-/kapskivor för ytslipning om skivans etikett förbjuder sådan användning eftersom dessa skivor inte är designade för sidotryck som uppstår vid ytslipning. Sönderbrutna skivor och allvarliga skador kan uppstå.

Montera och ta bort sliprondeller (bild K)

För sandslipning krävs en stödrondell. Stödrondellen finns tillgänglig hos din BLACK+DECKER som ett tillbehör.

Fastsättning

- ◆ Placera den inre flänsen (12) på spindeln (11) så visas (bild K). Se till att flänsen är korrekt placerad på de platta sidorna av spindeln.

- ◆ Placera stödrondellen (18) på spindeln.
- ◆ Placera sandpappersskivan (19) på stödrondellen.
- ◆ Placera den yttre flänsen (14) på spindeln med den upphöjda mittdelen vänd bort från skivan.
- ◆ Håll spindellåset (4) intryckt och dra åt den yttre flänsen med tvåstiftsnyckeln (16) (bild J). Se till att den yttre flänsen är korrekt placerad och att rondellen är ordentligt fastspänd.

Borttagning

- ◆ Håll spindellåset (4) intryckt och lossa den yttre flänsen (14) med tvåstiftsnyckeln (16) (bild J).
- ◆ Ta bort den yttre flänsen (14), sandpappersskivan (19) och stödrondellen (18).

Ytslipning med slippappersrondeller

- ◆ Låt verktyget nå full hastighet innan verktyget kommer i kontakt med arbetsytan.
- ◆ Använd minimalt med tryck på arbetsytan, låt verktyget arbeta med hög hastighet. Sliphastigheten är bäst när verktyget arbetar med hög hastighet.
- ◆ Upprätthåll en vinkel på 5° till 10° mellan verktyget och arbetsytan såsom visas i bild M.
- ◆ Rör verktyget kontinuerligt i en rörelse framåt och bakåt för att undvika att skapa urholkningar i arbetsytan.
- ◆ Ta bort verktyget från arbetsytan innan verktyget stängs av. Låt verktyget sluta rotera innan det läggs ned.

Använda stödrondeller för slipning

Välj alltid korrekt slipkornsstorlek för flexibla slipskivorna för användningsområdet. Slipskivorna finns tillgängliga med olika slipkornsstorlekar. Grova korn tar bort material snabbare och ger en grövre finish. Finare korn tar bort material långsammare och ger en slätare finish. Börja med skivor med grövre korn för snabb grov borttagning av material. Byt till ett medumpapper och avsluta med ett fint korn för optimal finish.

- ◆ Grovt = 16 - 30 i kornstorlek.
- ◆ Medium = 36 - 80 kornstorlek.
- ◆ Fint = 100 - 120 kornstorlek.
- ◆ Extra fint = 150 - 180 i kornstorlek.
- ◆ Låt verktyget nå full hastighet innan verktyget kommer i kontakt med arbetsytan.
- ◆ Använd minimalt med tryck på arbetsytan, låt verktyget arbeta med hög hastighet. Sliphastigheten är bäst när verktyget arbetar med hög hastighet.
- ◆ Upprätthåll en vinkel på 5° till 10° mellan verktyget och arbetsytan såsom visas i bild N. Slipskivan skall ha en kontakt på ungefär 25 mm på arbetsytan.
- ◆ Flytta verktyget konstant i en rak linje för att förhindra bränning och virvlar på arbetsytan. Om verktyget får vila på arbetsytan utan rörelse eller flytt av verktyget i en cirkelrörelse skapar brännmärken och virvelmärken på arbetsytan.

- ◆ Ta bort verktyget från arbetsytan innan verktyget stängs av. Låt verktyget sluta rotera innan det läggs ned.

Försiktighetsåtgärder vid slipning av färg

- ◆ Slipning av blybaserad färg **REKOMMENDERAS INTE** på grund av svårigheterna att kontrollera det förorenade dammet. Den största faran för blyförgiftning är för barn och gravida kvinnor.
- ◆ Eftersom det är svårt att identifiera om färg innehåller eller inte innehåller bly utan en kemisk analys rekommenderar vi att följande försiktighetsåtgärder vidtas vid slipning av all färg:
 - ◆ Inga barn eller gravida kvinnor får komma in i arbetsområdet där färg slipas innan en fullständig rengöring gjorts.
 - ◆ En andningsmask eller gasmask bör bäras av alla personer som kommer in i arbetsområdet. Filtret bör bytas dagligen eller när användaren har svårigheter att andas.

Notera: Endast de dammskivor som är lämpliga för arbete med blyfärgdam och rök bör användas. Vanliga målarmasker ger inte detta skydd. Besök din lokala järnhandel för att köpa ett godkänd andningskylid.

- ◆ **ÄT INTE, DRICK ELLER RÖK** inom arbetsområdet för att förhindra intag av förorenade färgpartiklar. Arbetare bör tvätta och städa **INNAN** de äter, dricker eller röker. Livsmedel, dryck eller rök tillbehör bör inte lämnas kvar i arbetsområdet eftersom damm kan fastna på dem.
- ◆ Färg bör tas bort på ett sådant sätt att mängden damm som genereras minimeras.
- ◆ Områden där färgborttagning sker bör förseglas med plastskynken som är 4 millimeter tjocka.
- ◆ Slipning bör utföras på ett sådant sätt att spår av färgdamm reduceras utanför arbetsområdet.
- ◆ Alla ytor inom arbetsområdet bör dammsugas och noga rengöras dagligen så länge som slipningsprojektet pågår. Dammsugarfilterpåsar bör bytas regelbundet.
- ◆ Skyddsplast bör samlas ihop och kastas tillsammans med övriga dammspån och annat löst skräp. De bör placeras i en förseglad avfallsbehållare och via den vanliga sophanteringen. Under rengöringen skall barn och gravida kvinnor hålla sig undan från det direkta arbetsområdet.
- ◆ Alla leksaker, tvättbara möbler och redskap som används av barn tvättas noga innan de används igen.

Montering och användning av trädborstar och trådskivor

Trådkålborstar eller trådskivor skruvas direkt på den vinkelslipens spindel utan några flänsar. Typ 27 skydd krävs när trädborstar och -skivor används. Använd skyddshandskar när trädborstar och skivor hanteras.

De kan vara vassa. Skivor eller borstar får inte vidröra skyddet vid montering eller användning.

Oppstäckta skador kan uppstå på tillbehören och göra att trådarna fragmenteras från tillbehörsskivor eller kopp.

- ◆ Gånga på skivan på spindeln för hand.
- ◆ Tryck på spindellåsknappen och använd en skiftnyckel på navet på trådskivan eller borsten för att dra åt skivan.
- ◆ För att ta bort skyddet följ ovanstående procedur i motsatt ordning.

Varning! Om inte skivnavet sitter korrekt på innan verktyget slås på kan det resultera i skador på verktyget eller på skivan. Trådskivor och borstar kan användas för att ta bort rost, flagor och färg och för utjämning av oregelbundna ytor.

Notera: Samma försiktighetsåtgärder ska vidtas vid borstning av färg som vid slipning av färg med sandpapper.

- ◆ Låt verktyget nå full hastighet innan verktyget kommer i kontakt med arbetsytan.
- ◆ Använd minimalt med tryck på arbetsytan, låt verktyget arbeta med hög hastighet. Borttagning v material går snabbast när verktyget arbetar med hög hastighet.
- ◆ Upprätthåll en vinkel på 5 ° till 10 ° mellan verktyget och arbetsytan för borstkoppar såsom visas i bild O.
- ◆ Håll kontakt mellan kanten på skivan och arbetsytan med trådskivan.
- ◆ Rör verktyget kontinuerligt i en rörelse framåt och bakåt för att undvika att skapa urholkningar i arbetsytan. Om verktyget får vila på arbetsytan utan rörelse eller flytt av verktyget i en cirkelrörelse skapar brännmärken och virvelmärken på arbetsytan.
- ◆ Ta bort verktyget från arbetsytan innan verktyget stängs av. Låt verktyget sluta rotera innan det läggs ned.

Varning! Var extra uppmärksam vid arbete över en kant då plötsliga tvära rörelser av vinkelslipen kan ske.

Montering av kapskivor (typ 41)

Kapskivor inkluderar diamantskivor och slipande skivor.

Slipande kapskivor för metall och betong finns tillgängliga. Diamantblad för betongkapning kan också användas.

NOTERA: Ett stängt tvåsidigt typ 41 kapskiveskydd krävs när kapskivor används, säljs separat. Om inte korrekt fläns och skydd används kan det resultera i skador från skivor som går sönder och kontakt med skivan.

Matchande diameter för fästflänsen och gängade bygelmuttern (medföljer verktyget) måste användas för kapskivor.

Montera kapskivor

- ◆ Placera den ogängade fästflänsen på spindeln med det upphöjda centrumet (pilot) riktat uppåt. Det upphöjda centrumet (pilot) på fästflänsen kommer att vara mot skivan när skivan installeras.
- ◆ Placera skivan på fästflänsen, centrera skivan på det upphöjda centrumet (pilot).

- ◆ Installera den gängade bygelmuttern med det upphöjda centrumet (pilot) bort från skivan.
- ◆ Tryck ned spindellåsknappen och dra åt bygelmuttern med den medföljande skruvnyckeln (16).
- ◆ För att ta bort skivan, tryck på spindellåsknappen och lossa den gängade bygelmuttern med den medföljande skruvnyckeln.

Varning! Använd inte kantslipnings-/kapskivor för yt slipning eftersom dessa skivor inte är designade för sidotryck som uppstår vid yt slipning. Sönderbrutna skivor och allvariga skador kan uppstå.

- ◆ Låt verktyget nå full hastighet innan verktyget kommer i kontakt med arbetsytan.
- ◆ Använd minimalt med tryck på arbetsytan, låt verktyget arbeta med hög hastighet. Kaphastigheten är bäst när verktyget arbetar med hög hastighet.
- ◆ När kapningen börjar och en skåra skapas i arbetsstycket ändra inte vinkeln på kapningen. Ändring av vinkeln kommer att göra att skivan böjs och kan gå sönder.
- ◆ Ta bort verktyget från arbetsytan innan verktyget stängs av. Låt verktyget sluta rotera innan det läggs ned.

Användning

Varning! Låt verktyget arbeta i sin egen takt. Överbelasta inte.

- ◆ Var förberedd på en ström av gnistor vid slip- eller kapskivan kommer i kontakt med arbetsstycket.
- ◆ Placera alltid verktyget så att skyddet för slip- eller kapskivan blir optimalt.

Slå på och stänga av

- ◆ Slå på apparaten genom att föra strömbrytaren (2) framåt.
- ◆ Stäng av verktyget genom att föra strömbrytaren (2) bakåt.

Varning! Starta inte och stäng inte av verktyget när det är belastat.

Varning! Aktivera alltid låset när verktyget inte används.

Tips för optimal användning

- ◆ Håll verktyget stadigt med en hand runt sidohandtaget och den andra handen runt huvudhandtaget.
- ◆ När du slipar ska du alltid ha skivan vinklad cirka 20° - 30° mot ytan på arbetsstycket.

Underhåll







Din kabelanslutna/sladdlösa BLACK+DECKER-apparat/verktyg är konstruerad för att fungera en lång tid med minsta möjliga underhåll. Kontinuerlig tillfredsställande drift beror på ordentlig verktygsvård och regelbunden rengöring.





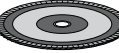

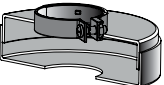
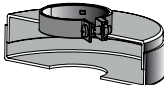






Varning! Innan något underhåll utförs på sladdanslutna/sladdlösa elverktyg:

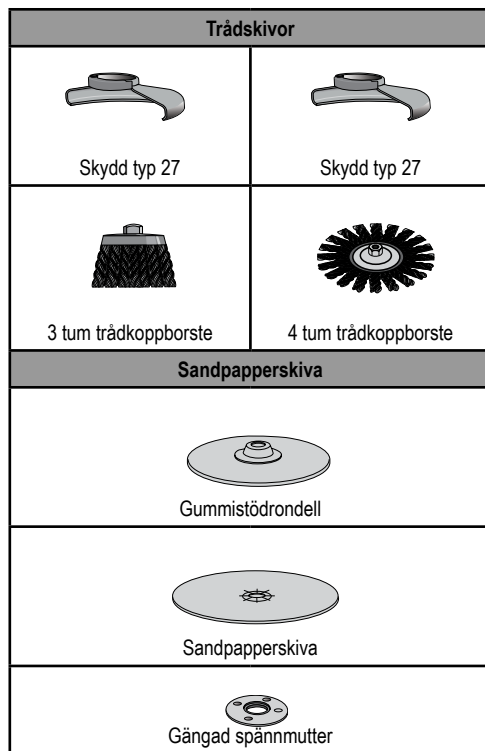
- ◆ Stäng av apparaten/verktyget och dra ur nätkontakten.

- ◆ Du kan också ta ut batteriet ur apparaten/verktyget om apparaten/verktyget har ett separat batteripaket.
- ◆ Om batteriet är inbyggt låter du det laddas ur helt innan avstängningen.
- ◆ Dra ur sladden till laddaren innan du rengör den. Laddaren behöver inget annat underhåll än regelbunden rengöring.
- ◆ Rengör regelbundet apparatens/verktygets/laddarens luftintag med en mjuk borste eller torr trasa.
- ◆ Rengör motorhöljet regelbundet med en fuktig trasa. Använd aldrig något slipande eller lösningsmedelsbaserat rengöringsmedel.

Tabell över slip- och kaptillbehör

Slipskivor	
 Skydd typ 27	 Skydd typ 27
 Ogängad fästfläns	
 Typ 27-skiva med försänkt centrum	 Typ 27 navskiva
 Gängad spännmutter	

Slipingskivor	
 Skydd typ 27	 Skydd typ 27
 Navslipingskivor	 Ogängad fästfläns
	 icke-navslipingskivor
	 Gängad spännmutter
Typ 41 kapskivor	
 Skydd typ 41	 Skydd typ 41
 Stödfläns	 Stödfläns
 Slipkapskivor	 Diamantkapskivor
 Klämmutter	 Klämmutter



Tekniska data

		BCG720 M1	BCG720 N
Inspänning	V_{AC}	18	18
Märkvarvtal (obelastad)	min^{-1}	8600	8600
Skivhål	mm	22	22
Maximal skivtjocklek			
Slipskivor	mm	6	6
Kapskivor	mm	3,5	3,5
Spindelstorlek		M14	M14
Vikt	Kg	2,1 minus batteri och skiva	2,1 minus batteri och skiva
Batteri		BL4018	Bara enheten (ingen laddare)
Spänning	V_{DC}	18	
Kapacitet	Ah	4,0	
Typ		Li-jon	
Laddare		905995*	Bara enheten (ingen laddare)
Inspänning	V_{AC}	230	
Utspänning	V_{DC}	18	
Strömstyrka	A	1,0	
Ungefärlig laddningstid	Timmar	4	

Ljudtrycksnivå enligt EN 60745:

Ljudtryck (L_{pA}) 76dB(A), osäkerhet (K) 4dB(A)akustiskt tryck (L_{WA}) 87 dB(A), osäkerhet (K) 4 dB(A)

Totala vibrationsvärden (vektorsumman av tre axlar) enligt EN 60745:

Ytslipning ($a_{h,SO}$): 7,3m/s², K=1,5m/s².
 Skivslipning ($a_{h,SS}$): 1,9m/s², K=1,5m/s².
 Polering ($a_{h,P}$): 8,6m/s², K=2,4m/s².
 Trådborstning ($a_{h,VB}$): 3,8m/s², K=1,5m/s².
 Kapning ($a_{h,CO}$): 4,0m/s², K=1,5m/s².

Skydda miljön



Separat insamling. Produkter och batterier som är markerade med denna symbol får inte kastas i de vanliga hushållsoporna.

Produkter och batterier innehåller material som kan återanvändas eller återvinnas för att minska behovet av råmaterial.

Återvinn elektriska produkter och batterier enligt lokala bestämmelser. Närmare information finns tillgänglig på www.2helpU.com

EG-försäkran om överensstämmelse
MASKINDIREKTIVET

BCG720 vinkelslip

Black & Decker garanterar att produkterna som beskrivs under "Tekniska data" uppfyller:

2006/42/EG, EN 60745-1:2009 + A11:2010;
 EN 60745-2-3:2011 + A2:2013 + A11:2014
 + A12:2014 + A13:2015

Dessa produkter överensstämmer även med direktiven 2014/30/EU och 2011/65/EU.

För ytterligare information kontakta Black & Decker på följande adress, eller se handbokens baksida.

Undertecknad är ansvarig för sammanställningen av tekniska data och gör denna försäkran för Black & Decker.

R. Laverick
 Director of Engineering
 Black & Decker Europe, 210 Bath Road, Slough,
 Berkshire, SL1 3YD
 Storbritannien
 10/01/2018

Garanti

Black & Decker är säker på kvaliteten hos denna produkt och erbjuder kunder 24 månaders garanti från inköpsdatumet. Garantin gäller utöver konsumentens rättigheter enligt lag och påverkar inte dessa. Garantin är giltig i de områden som tillhör medlemsstaterna i Europeiska unionen och det europeiska frihandelsområdet.

För yrkande under garantin måste yrkandet vara i enlighet med Black & Deckers villkor och du kommer att behöva skicka in bevis på köpet till försäljaren eller en auktoriserad reparatör. Villkoren för Black & Deckers tvååriga garanti och var du hittar din närmaste auktoriserade reparatör kan erhållas på internet på www.2helpU.com, eller genom att kontakta ditt lokala Black & Decker kontor på adressen som angetts i denna bruksanvisning.

Besök vår webbplats www.blackanddecker.se för att registrera din nya Black & Decker produkt och få uppdateringar för nya produkter och specialerbjudanden.

Tiltenkt bruk

BLACK+DECKER BCG720 M1, BCG720 N vinkelslipere er utformet for sliping og kutting av metall og mur med passende type kutte- eller slipeskive. Verktøyet skal være utstyrt med passende beskyttelse. Dette verktøyet er bare ment som et forbrukerverktøy.

Sikkerhetsinstruksjoner

Generelle sikkerhetsadvarsler for elektroverktøy



Advarsel! Les alle sikkerhetsadvarsler og alle instruksjoner. Hvis advarslene og anvisningene nedenfor ikke overholdes, kan det medføre elektrisk støt, brann og/eller alvorlige personskader.

Ta vare på alle advarsler og instruksjoner for fremtidig bruk. Uttrykket "elektroverktøy" i alle advarslene nedenfor gjelder for strømdrevne elektroverktøy (med ledning) og batteridrevne elektroverktøy (uten ledning).

1. Sikkerhet i arbeidsområdet

- Hold arbeidsområdet rent og godt opplyst.** Rotete eller mørke områder er en invitasjon til ulykker.
- Ikke arbeid med elektroverktøy i eksplosjonsfarlige omgivelser, for eksempel der det befinner seg brennbare væsker, gass eller støv.** Elektrisk verktøy skaper gnister som kan antenne støv eller gasser.
- Hold barn og andre personer unna når du bruker et elektroverktøy.** Distraksjoner kan føre til at du mister kontrollen.

2. Elektrisk sikkerhet

- Støpselet til verktøyet må passe til stikkkontakten. Aldri modifier støpselet på noen måte. Ikke bruk adapterstøpsler til jordede elektriske verktøy.** Umodifiserte støpsler og stikkontakter som passer vil redusere risikoen for elektrisk sjokk.
- Unngå kroppskontakt med jordede overflater som rør, radiatorer, komfyrer og kjøleskap.** Det er økt risiko for elektrisk støt dersom kroppen din er jordat.
- Ikke utsett elektroverktøy for regn eller fuktighet.** Dersom det kommer vann inn i et elektrisk verktøy vil det øke risikoen for elektrisk sjokk.
- Unngå uforsvarlig behandling av ledningen. Aldri bruk ledningen til å bære, trekke eller dra ut støpselet til det elektriske verktøyet. Hold ledningen borte fra varme, olje, skarpe kanter eller bevegelige deler.** Skadede eller innviklede ledninger øker risikoen for elektrisk sjokk.
- Når du bruker et elektroverktøy utendørs, må du bruke en skjøteledning som er egnet til utendørs bruk.** Bruk av en skjøteledning beregnet for utendørs bruk reduserer risikoen for elektrisk støt.

- f. Hvis du ikke kan unngå å bruke elektroverktøy på et fuktig sted, må du bruke en strømforsyning som er beskyttet med jordfeilbryter (RCD). Bruk av jordfeilbryter (RCD) reduserer risikoen for elektrisk støt.
3. Personikkerhet
- a. Vær oppmerksom, pass på hva du gjør, og vis fornuft når du arbeider med et elektroverktøy. Ikke bruk et elektrisk verktøy dersom du er trøtt eller er påvirket av medikamenter, narkotika eller alkohol. Ett øyeblikks uoppmerksomhet under bruk av elektriske verktøy kan føre til alvorlig personskade.
- b. Bruk personlig verneutstyr. Bruk alltid vernebriller. Verneutstyr slik som støvmaske, sklisikre vernesko, hjelm, eller hørselsvern brukt under passende forhold vil redusere personskader.
- c. Forhindre utilsiktet start. Kontroller at bryteren står i posisjon "av" før du kobler til strømkilden og/eller batteripakken, og før du tar opp eller bærer verktøyet. Å bære elektriske verktøy med fingeren på bryteren eller å sette inn støpselet mens elektriske verktøy har bryteren på øker faren for ulykker.
- d. Fjern eventuelt innstillingsverktøy eller skruverktøy før du slår på elektroverktøyet. Et skruverktøy eller en nøkkel som fortsatt er festet til en roterende del av elektroverktøyet, kan føre til personskade.
- e. Ikke strekk deg for langt. Ha godt foffeste og stå støtt hele tiden. Dette fører til at du har bedre kontroll over det elektriske verktøyet ved uventede situasjoner.
- f. Bruk egnede klær. Ikke ha på deg løstsittende klær eller smykker. Hold hår, antrekk og hansker borte fra bevegelige deler. Løstsittende klær, smykker og langt hår kan bli fanget opp av bevegelige deler.
- g. Hvis det kan monteres støvavsug- og oppsamlingsinnretninger, må du forvise deg om at disse er tilkoblet og brukes på riktig måte. Bruk av støvoppsamlere kan redusere støvrelaterte farer.
- h. Ikke la erfaring med hyppig bruk av verktøy la deg bli likegyldig og ignorere verktøyet sikkerhetsregler. En uforutsikkelig handling kan føre til alvorlig personskade på brokdelen av et sekund.
4. Bruk og behandling av elektroverktøy
- a. Ikke bruk makt på elektroverktøyet. Bruk det elektriske verktøyet som situasjonen krever. Det riktige elektriske verktøyet vil gjøre jobben bedre og tryggere ved den hastigheten det ble konstruert for.
- b. Ikke bruk elektroverktøyet hvis du ikke kan slå det på og av med bryteren. Ethvert elektrisk verktøy som ikke kan kontrolleres med bryteren er farlig og må repareres.
- c. Trekk støpselet ut av stikkkontakten og/eller koble fra batteripakken på elektroverktøyet før du utfører innstillinger, bytter tilbehør eller legger

- elektroverktøyet bort for lagring. Slike preventive sikkerhetsforanstaltninger reduserer risikoen for å starte det elektriske verktøyet ved et uhell.
- d. Elektroverktøy som ikke er i bruk, må oppbevares utilgjengelig for barn. Ikke la verktøyet bli brukt av personer som ikke er fortrolige med det, eller som ikke kjenner disse instruksjonene. Elektriske verktøy er farlige i hendene på utrenede brukere.
- e. Sørg for vedlikehold av elektroverktøy. Undersøk om bevegelige deler er feiljustert eller blokkert, om deler er skadet, og om det er andre forhold som kan påvirke elektroverktøyet funksjon. Dersom det er skadet, få verktøyet reparert før neste bruk. Mange ulykker forårsakes av dårlig vedlikeholdte verktøy.
- f. Hold skjæreverktøy skarpe og rene. Godt vedlikeholdte skjæreverktøy med skarpe skjærekanter setter seg mindre sannsynlig fast og er lettere å kontrollere.
- g. Bruk elektroverktøy, tilbehør, bits osv. i henhold til disse instruksjonene. Ta hensyn til arbeidsforholdene og arbeidet som skal utføres. Bruk av det elektriske verktøyet for oppgaver som er forskjellige fra de som er tiltenkt kan føre til en farlig situasjon.
- h. Hold håndtakene og gripeflatene tørre, rene og frie for olje og fett. Glatte håndtak og gripeflater forhindrer trygg håndtering og kontroll av verktøyet i uventede situasjoner.
5. Bruk og stell av batteriverktøy
- a. Ladingen skal bare skje med den laderen som produsenten har spesifisert. En lader som passer for en type batteripakke kan føre til risiko for brann dersom den brukes på en annen batteripakke.
- b. Bruk elektroverktøy bare sammen med spesifikt angitte batteripakker. Bruk av andre batteripakker kan føre til risiko for personskade og brann.
- c. Når batteripakken ikke er i bruk, må du oppbevare den atskilt fra andre metallgjenstander som binders, mynter, nøkler, spiker, skruer eller andre små metallgjenstander som kan opprette en forbindelse fra en terminal til en annen. Kortslutning av batteripolene mot hverandre kan føre til brannskader eller brann.
- d. Ved feilaktig bruk kan det komme væske ut av batteriet, unngå kontakt med den. Dersom du kommer i kontakt med den, skyll av med vann. Dersom du får væsken i øynene, søk legehjelp. Væske som kommer ut av batteriet kan føre til irritasjon eller brannskader.
- e. Batteripakke eller verktøy som er skadet eller modifisert skal ikke brukes. Batterier som er skadet eller modifisert kan ha uventet oppførsel og føre til brann, eksplosjon eller personskader.
- f. Batteripakken skal ikke utsettes for brann eller for høy temperatur. Eksposering for brann eller temperaturer over 130 °C kan føre til eksplosjon.

- g. Følg alle ladeinstruksjoner og ikke lade batteripakken eller verktøyet utenfor temperaturområdet som angitt i bruksanvisningen. Feil lading eller ved temperaturer utenfor det angitt området kan skade batteriet og øke faren for brann.

6. Service

- a. Elektroverktøyet skal repareres av kvalifisert personell og bare med originale reservedeler. Dette vil sikre at verktøyet sikkerhet blir ivarettatt.
- b. Skadede batteripakker skal aldri repareres. Service på batteripakker skal kun utføres av produsenten eller autoriserte serviceverksteder.

Ytterligere sikkerhetsadvarsler for elektroverktøy



Advarsel! Sikkerhetsanvisninger som er felles for sliping, sandpussing, børsting, polering eller kappeoperasjoner:

- ◆ Dette verktøyet er beregnet til bruk ved sliping, pussing, trådbørsting, polering eller kutting. Les alle sikkerhetsanvisninger, instruksjoner, illustrasjoner og spesifikasjoner som følger dette elektriske verktøyet. Manglende overholdelse av instruksjonene som er listet opp under kan resultere i elektrosjokk, ild og/eller alvorlig skade.
- ◆ Dersom elektroverktøyet brukes til andre oppgaver enn det er tiltenkt, kan det føre til fare og forårsake personskade.
- ◆ Ikke bruk tilbehør som ikke er spesifikt konstruert og anbefalt fra produsenten av verktøyet. Selv om tilbehøret kan kobles til elektroverktøyet, sikrer ikke dette trygg drift.
- ◆ Merkehastighet på tilbehøret må være minst lik maksimal hastighet som er angitt på elektroverktøyet. Tilbehør som går fortere enn merkehastigheten sin, kan bli ødelagt og fly i stykker.
- ◆ Den utvendige diameteren og tykkelsen til tilbehøret må være innenfor den normerte kapasiteten til elektroverktøyet. Tilbehør med feil størrelse kan ikke beskyttes eller kontrolleres tilstrekkelig.
- ◆ Gjenget montering av tilbehør må samsvare med spindelgjengene på slipemaskinen. For tilbehør montert på flens, må senterhullet på tilbehøret passe til diameteren på flensen. Tilbehør som ikke passer monteringsdelene på elektroverktøyet, vil rotere eksentriske, vibrere for mye og kan føre til at du mister kontrollen.
- ◆ Ikke bruk tilbehør som er skadet. Før hver bruk må du inspirere tilbehøret, som slipeskiven, for hakk og sprekker, festeplatene må inspiseres for sprekker, rifter eller slitasje, og stålborsten må inspiseres for løse eller sprukne tråder. Dersom elektroverktøyet

eller tilbehøret slippes ved et uhell, må du kontrollere om det er skadet eller montere uskadet tilbehør. Etter å ha undersøkt og montert tilbehør skal du kjøre elektroverktøyet på maksimal hastighet uten belastning i ett minutt. Skadet tilbehør vil normalt rives i stykker under denne testen.

- ◆ Bruk personlig verneutstyr. Avhengig av bruksområdet må du bruke ansiktsvern eller vernebriller. Bruk støvmaske, hørselsvern, hansker og verkstedforkle som kan stoppe små slipefragmenter eller deler fra arbeidsstykket. Øyebeskyttelsen må kunne stoppe flygende biter som kan løsne fra arbeidsstykket. Støvmasken eller gassmasken må kunne filtrere partikler som dannes under arbeidet. Langvarig eksponering for høyintensiv støy kan føre til hørselstap.
- ◆ Hold personer i nærheten på trygg avstand fra arbeidsområdet. Personer som går inn i arbeidsområdet, må bruke personlig verneutstyr. Fragmenter fra arbeidsstykket eller ødelagt tilbehør kan fly av gårde, og kan føre til skader langt ut over det umiddelbare arbeidsområdet.
- ◆ Hold det elektriske verktøyet kun i isolerte gripeoverflater når du utfører operasjoner hvor kutteutstyret kan komme i kontakt med skjulte ledninger eller egen ledning. Kutteutstyr som kommer i kontakt med en strømførende ledning, kan føre til at eksponerte metalldele på elektroverktøyet blir strømførende, og kan gi operatøren støt.
- ◆ Bruk tvinger eller annen praktisk måte å sikre og holde arbeidsstykket på et stabilt underlag. Å holde arbeidsstykket i hendene eller mot kroppen er ustabil og kan føre til at du mister kontroll.
- ◆ Plasser ledningen slik at den ikke kommer i kontakt med roterende tilbehør. Hvis du mister kontrollen, kan ledningen bli kuttet av eller henge seg fast, og hånden eller armen din kan bli dratt inn i det roterende tilbehøret.
- ◆ Ikke legg elektroverktøyet fra deg før tilbehøret har stanset helt. Det roterende tilbehøret kan ta tak i overflaten og trekke elektroverktøyet ut av kontrollen din.
- ◆ Ikke la elektroverktøyet gå mens du bærer det langs siden din. Utilsiktet kontakt med det roterende tilbehøret kan føre til at det kjører seg fast i klærne dine og trekker tilbehøret inn i kroppen din.
- ◆ Lufteåpningene på elektroverktøyet må rengjøres regelmessig. Motorviften vil trekke støvet inn i kabinettet, og overdreven oppsamling av forstøvet metall kan føre til elektriske farlige situasjoner.
- ◆ Ikke bruk elektroverktøyet i nærheten av antennelige materialer. Gnister kan antenne dette materialet.
- ◆ Ikke bruk tilbehør som krever flytende kjølemidler. Bruk av vann eller andre flytende kjølemidler kan føre til elektrisk støt eller sjokk.

Merk: Advarselen ovenfor gjelder ikke elektroverktøy som er utformet spesielt for bruk sammen med et væskesystem.

Advarsler om tilbakeslag og lignende

Tilbakeslag er en plutselig reaksjon på et fastklemt eller fastkjørt roterende skive, støttetallerken, børste eller annet tilbehør. Hvis det roterende tilbehøret blir klemt eller sitter fast, stanser det brått, og dette tvinger det ukontrollerte elektroverktøyet i motsatt retning av rotasjonen til tilbehøret i koblingspunktet.

For eksempel, hvis en slipeskive kjøres fast eller klemmes fast i arbeidsstykket, kan kanten av den skiven som går inn i klempunktet grave seg inn i overflaten på materialet og føre til at skiven hopper ut eller kastes ut. Skiven kan hoppe mot eller bort fra brukeren avhengig av bevegelsesretningen til skiven i klempunktet. Slipeskiver kan også bli ødelagt under slike forhold.

Tilbakeslag er et resultat av feil bruk av elektroverktøyet og/eller feil bruksprosedyrer eller bruksforhold, og kan unngås ved at du tar riktige forholdsregler som forklart nedenfor.

- ◆ **Hold elektroverktøyet med et fast grep, og stå med kroppen og armene slik at du kan motstå tilbakeslagskrefter. Bruk alltid hjelpehåndtak, hvis det følger med, for å ha best mulig kontroll over tilbakeslags- eller dreiningsreaksjoner under start.** Brukeren kan kontrollere dreiningsreaksjoner eller tilbakeslagskrefter hvis det tas riktige forholdsregler.
- ◆ **Plasser aldri hånden i nærheten av det roterende tilbehøret.** Tilbehøret kan slå tilbake over hånden.
- ◆ **Ikke plasser kroppen i området der elektroverktøyet vil bevege seg ved tilbakeslag.** Et tilbakeslag vil sende verktøyet i den motsatte retningen av skivens bevegelse i festepunktet.
- ◆ **Vær spesielt varsom når du arbeider ved hjørner, skarpe kanter osv. Unngå at tilbehøret hopper eller blir sittende fast.** Hjørner, skarpe kanter eller hopping har en tendens til å kjøre fast det roterende tilbehøret og føre til tilbakeslag eller at du mister kontrollen.
- ◆ **Ikke sett på et kjedesagblad for tre eller et tannet sagblad.** Slike blad fører ofte til tilbakeslag og at du mister kontrollen.

Spesielle sikkerhetsadvarsler for sliping og slipekuttingsoppgaver

- ◆ **Bruk bare skivetyper som er anbefalt for elektroverktøyet og det spesielle vernet som er utformet for den valgte skiven.** Skiver som elektroverktøyet ikke ble laget for, er ikke tilstrekkelig beskyttet og er farlige.
- ◆ **Slipeflaten på skiver med midtstilt trykk må monteres under planet til leppen på vernet.** Feilmontert hjul som

går utenfor planet på beskyttelseskanten kan ikke beskyttes tilstrekkelig.

- ◆ **Vernet må være sikkert festet til elektroverktøyet og må være plassert for maksimal sikkerhet, så en minst mulig del av skiven er eksponert mot brukeren.** Beskyttelsen verner brukeren mot fragmenter fra ødelagte skiver, utilsiktet kontakt med skiven og gnister som kan antenne tøyet.
- ◆ **Skiver må bare brukes til anbefalte anvendelser. For eksempel: ikke slip med siden av kappeskiven.** Slipende kappeskiver er laget for kantsliping, dersom det brukes sidekrefter på disse skivene kan det få dem til å knuses.
- ◆ **Bruk alltid skiveflenser uten skader og med korrekt størrelse og form for den valgte skiven.** Riktige skiveflenser støtter skiven å reduserer på den måten muligheten for at skiven ødelegges. Flenser for kappeskiver kan være annerledes enn flenser for slipeskiver.
- ◆ **Ikke bruk slitte skiver fra større elektroverktøy.** Skiver beregnet på større elektroverktøy er ikke egnet for den høyere hastigheten til et mindre verktøy og kan ødelegges.

Ytterligere spesielle sikkerhetsadvarsler for slipekuttingsoppgaver

- ◆ **Ikke kjør fast kutteskiven, og ikke bruk makt. Ikke forsøk å kutte for dypt.** Hvis skiven overbelastes, kan det øke kreftene og tendensen til å vri eller sette fast skiven i kuttet og øke muligheten for tilbakeslag eller at skiven går i stykker.
- ◆ **Ikke plasser kroppen på linje med og bak den roterende skiven.** Når skiven, i arbeidspunktet, beveger seg bort fra kroppen din, kan et mulig tilbakeslag sende den roterende skiven og elektroverktøyet direkte mot deg.
- ◆ **Når skiven setter seg fast, eller du avbryter et kutt av én eller annen grunn, må du slå av elektroverktøyet og holde det uten å bevege det til skiven stanser helt. Forsøk aldri å fjerne kappeskiven fra kuttet mens skiven beveger seg ellers kan det oppstå tilbakeslag.** Undersøk og sørg for å fjerne årsakene til fastklemming av bladet.
- ◆ **Ikke start kutteoperasjonen på nytt i arbeidsstykket. La skiven nå full hastighet og gå forsiktig tilbake i kuttet.** Skiven kan komme til å sette seg fast, bevege seg framover eller slå tilbake dersom den startes opp igjen i arbeidsstykket.
- ◆ **Støttepaneler eller overdimensjonerte arbeidsstykker minsker risiken for at skiven henger og slår tilbake.** Store arbeidsstykker har en tendens til å henge ned under sin egen vekt. Det må plasseres støtter under arbeidsstykket på begge sider av skiven, nær kuttelinjen og nær kanten av panelet.

- ◆ **Vær ekstra varsom når du kutter en "lomme" i eksisterende vegger eller andre steder du ikke ser.** Skiven stikker ut og kan komme til å kappe gass- eller vannrør, elektriske ledninger eller gjenstander som kan føre til tilbakeslag.

Spesielle sikkerhetsadvarsler for pussing

- ◆ **Ikke bruk for store sandpapirskiver. Følg produsentens anbefalinger når du velger sandpapir.** Sandpapir som er større enn pusseskiven, kan føre til opprinningsfare, og tilbakeslag eller at skiven kjører seg fast eller flenges opp.

Spesielle sikkerhetsadvarsler for polering

- ◆ **Ikke la noen løse deler av poleringshetten eller festesnoren snurre fritt. Gjem eller kutt av løse tilbehørsstrenger.** Løse og roterende tilbehørsstrenger kan snurre seg rundt fingrene dine eller kjøre seg fast i arbeidsstykket.

Spesielle sikkerhetsadvarsler for trådbørsting

- ◆ **Vær klar over at tråder fra busten kastes ut av børsten selv ved vanlig bruk. Ikke overbelast busten ved å bruke for mye makt på børsten.** Stålbusten kan lett trenge i gjennom lette klær og/eller hud.
- ◆ **Hvis bruk av et vern er anbefalt for trådbørsting, må ikke trådkiven eller børsten komme i kontakt med vernet.** Diameteren til trådkiven eller børsten kan øke på grunn av arbeidsbelastning og sentrifugalkrefter.



Advarsel! Kontakt med eller innånding av støv som oppstår ved sandpapir/pussing, kan være helseskadelig for brukeren og eventuelle personer i nærheten. Bruk en støvmaske som er spesielt utformet for å beskytte mot støv og damp/gass, og pass på at personer som er i eller kommer inn i arbeidsområdet, også er beskyttet.

Andre personers sikkerhet

- ◆ Dette apparatet er ikke ment for bruk av personer (inkludert barn) med redusert fysiske, sensoriske eller mentale evner, eller mangel på erfaring og kunnskap, med mindre de får tilsyn eller har blitt opplært i bruk av apparatet av en person ansvarlig for deres sikkerhet.
- ◆ Barn må holdes under oppsyn, sørg for at de ikke leker med apparatet.

Andre risikoer

Når verktøyet brukes, kan det oppstå ytterligere risikoer som kanskje ikke er beskrevet i de medfølgende sikkerhetsadvarslene. Disse risikoene kan bli forårsaket av feil bruk, langvarig bruk osv.

Selv om de relevante sikkerhetsbestemmelsene blir fulgt, og sikkerhetstiltakene blir gjennomført, kan visse gjenværende risikoer ikke unngås. Disse inkluderer:

- ◆ Personskader som forårsakes av berøring av en roterende/bevegelig del.
- ◆ Personskader som oppstår ved skifte av deler, blader eller tilbehør.
- ◆ Personskader som skyldes for lang tids bruk av verktøyet. Når du bruker et verktøy i lange perioder, må du sørge for å ta regelmessige pauser.
- ◆ Hørselskader.
- ◆ Helsefarer forårsaket av innånding av støv som utvikler seg når du bruker verktøyet (eksempel: arbeid med tre, spesielt eik, bøk og MDF.)

Vibrasjon

Vibrasjonsemissionsverdien som er angitt under tekniske data og samsvarserklæring, er blitt målt i henhold til en standard testmetode som er angitt i EN 60745, og kan brukes til å sammenligne et verktøy med et annet. Den oppgitte vibrasjonsemissionsverdien kan også brukes til en foreløpig vurdering av eksponering.

Advarsel! Vibrasjonsemissionsverdien under faktisk bruk av elektroverktøyet kan avvike fra den oppgitte verdien avhengig av måten verktøyet blir brukt på. Vibrasjonsnivået kan øke over nivået som er oppgitt.

Når det vurderes vibrasjonseksponering for å avgjøre hvilke sikkerhetstiltak som kreves ifølge 2002/44/EF, for å beskytte personer som bruker elektroverktøy regelmessig til arbeidsformål, skal det, når vibrasjonseksponeringen anslås, tas hensyn til de faktiske bruksforholdene og måten verktøyet blir brukt på. Dette inkluderer å ta hensyn til alle deler av brukssyklusen, for eksempel når verktøyet er avslått, når det går på tomgang og når utløseren er trykket inn.

Etiketter på verktøyet

De følgende symbolene sammen med datokode vises på apparatet:



Advarsel! Brukeren må lese håndboken for å redusere risikoen for personskade.



Benytt vernebriller når du bruker dette produktet.



Benytt hørselvern når du bruker dette verktøyet

Ytterligere sikkerhetsinstruksjoner for batterier og ladere

Batterier (kun BCG720M1)

- ◆ Forsøk aldri å åpne av noen årsak.

- ◆ Ikke utsett batteriene for vann.
- ◆ Ikke oppbevar det på steder hvor temperaturen kan komme over 40 °C.
- ◆ Lad bare ved temperaturer mellom 10 °C og 40 °C.
- ◆ Bruk bare laderen som følger med apparatet.
- ◆ Følg instruksene som finnes i avsnittet "Miljøvern" når du skal kaste batterier.



Ikke forsøk å lade opp skadede batterier.

Ladere (kun BCG720M1)

- ◆ Bruk bare BLACK+DECKER-laderen til å lade batteriet i apparatet som laderen ble levert sammen med. Andre batterier kan sprekke og føre til personskade og materiell skade.
- ◆ Prøv aldri å lade ikke-oppladbare batterier.
- ◆ Skift ut defekte ledninger umiddelbart.
- ◆ Ikke utsett laderen for vann.
- ◆ Ikke åpne laderen.
- ◆ Ikke stikk gjenstander eller fingre inn i laderen.



Laderen er bare beregnet for innendørs bruk.



Les denne håndboken før bruk

Elektrisk sikkerhet



Denne laderen er dobbeltisolert. Jording er derfor ikke nødvendig. Kontroller alltid at nettspenningen er i overensstemmelse med spenningen på typeskiltet. Ikke skift ut laderen med et vanlig nettstøpsel.

- ◆ Hvis strømledningen blir skadet, må den byttes av produsenten eller et autorisert BLACK+DECKER-servicesenter for å unngå fare.

Funksjoner

Denne verktøyet har noen av eller alle følgende egenskaper.

1. Låsebryter
2. Avtrekker-bryter
3. Sidehåndtak
4. Spindellås
5. Slipevern
6. Slipeskive
7. Batteriport
8. Batteri (kun BCG720M1)

Lading av batteri (figur A)

BLACK+DECKER-ladere er designet for å lade

BLACK+DECKER-batteripakker.

- ◆ Plugg inn laderen (9) i en passende stikkontakt før du setter inn batteripakken (8).

- ◆ Sett batteripakken (8) i laderen, pass på at batteripakken sitter godt i batterisporene (figur A).



LED-lyset (9a) blinker for å varsle om at batteriet lades.



Fullført lading vises ved at LED-lyset er på kontinuerlig. Pakken er da fullt oppladet og kan brukes, eller den kan bli stående i laderen.

- ◆ Lad opp utladede batterier så fort som mulig etter bruk, ellers vil batteriets levetid forringes. For lengst batterilevetid, ikke lad ut batteriet helt. Det anbefales at du lader batteriet etter hver bruk.

Ladediagnostikk (figur B)

Denne laderen er designet for å oppdage visse problemer som kan oppstå med batteripakken eller strømkilden. Problemer indikeres av et LED-lys som blinker i ulike mønstre.

Dårlig batteri



Laderen kan oppdage et svakt eller ødelagt batteri. LED-lyset blinker i mønsteret som er indikert på merkelappen. Hvis du ser dette blinkemønsteret for dårlig batteri, skal du ikke

fortsette å lade batteriet.

Returner det til et servicesenter eller et oppsamlingssted for resirkulering.

Varm/kald ladeforsinkelse



Dersom laderen oppdager et batteri som er for varmt eller for kaldt, vil den automatisk starte en "varm/kald pakke forsinkelse", og venter med å lade til batteriet har passende temperatur. Etter dette skjer, vil laderen automatisk bytte over til pakkelademodus. Denne funksjonen sikrer maksimal levetid på batteriet.

LED-lyset blinker i mønsteret som er indikert på merkelappen.

La batteriet være i laderen

Laderen og batteripakken kan forbli tilkoblet med lysende LED-lys i ubegrenset tid. Laderen holder batteripakken klar og fulladet. Denne laderen har en automatisk trimmefunksjon som vedlikeholder eller balanserer de individuelle cellene i batteripakken slik at den fungerer med toppkapasitet. Batteripakker skal vedlikeholdes ukentlig eller når batteriet ikke lenger yter like mye. For å bruke den automatiske vedlikeholdsmodus skal du plassere batteripakken i laderen og la den stå der i 8 timer.

Viktige merknader om lading

- ◆ Lang levetid og best ytelse kan oppnås ved at batteripakken lades når lufttemperaturen er mellom 18 °C - 24 °C. IKKE lad batteripakken i en lufttemperatur under

+4,5 °C, eller over +40 °C. Dette er svært viktig og vil forhindre skade på batteripakken.

- ◆ Laderen og batteripakken kan være varme å ta på under lading. Dette er normalt og er ikke et tegn på et problem. For å muliggjøre bedre kjøling av batteripakken etter bruk, unngå å oppbevare laderen i varme omgivelser slik som et metallskur eller en uisolert tilhenger.
- ◆ Hvis batteripakken ikke lader skikkelig:
 - ◆ Kontroller strømmen i kontakten ved å sette inn en lampe eller et annet apparat.
 - ◆ Kontroller om stikkkontakten er koblet til en lysbryter som slår av strømmen når du slår av lyset.
 - ◆ Flytt laderen og batteripakken til et sted hvor omgivelsestemperaturen er omtrent 18 °C - 24 °C.
 - ◆ Hvis ladeproblemene vedvarer, ta verktøyet, batteripakken og laderen til ditt lokale servicesenter.
- ◆ Denne batteripakken må lades opp når den slutter å gi nok strøm til jobber som ble utført litt tidligere. I så fall, IKKE fortsatt å bruke verktøyet. Følg ladeprosedyren. Du kan også lade opp en halvutladet pakke når som helst uten at det har noen effekt på batteripakken.
- ◆ Fremmedlegemer av ledende art som, men ikke begrenset til, slipestøv, metallspån, aluminiumsfolie, og enhver oppbygging av metallpartikler skal ikke komme inn i laderens hulrom. Kople fra laderen før rengjøring.
- ◆ Ikke frys eller senk ned laderen i vann eller andre væsker.

Sette inn og ta ut batteriet (figur C og D)

- ◆ Når du skal sette inn batteriet (8), holder du det på linje med kontakten på verktøyet (7). Skyv batteriet inn i kontakten og trykk til batteriet klikker på plass.
- ◆ Når du skal ta ut batteriet, trykker du på batteriutløserknappen (8a) og trekker samtidig batteriet ut av kontakten.

Montering

Advarsel! Før monteringen må du passe på at apparatet er slått av og batteriet er tatt ut.

Montering og demontering av bladet (figur E, F og G)

Verktøyet leveres med et vern som er beregnet bare for slipeoppgaver (type 27). Hvis hensikten er å bruke verktøyet til kutting, må det monteres et vern (type 41) som er utformet spesielt for denne bruken. Et passende verndelnummer 1004702-44 (for 125mm kappeskive) er tilgjengelig og kan fås fra BLACK+DECKER servicesentre.

- ◆ Plasser verktøyet på et bord med spindelen (11) vendt oppover.
- ◆ Løsne klemmelåsen, og hold vernet over verktøyet som vist på figur E.
- ◆ Plasser tappene (5a) i forhold til hakkene (10) som vist på figur F.

- ◆ Trykk vernet ned, og dreii det mot klokken til den ønskede stillingen som vist på figur G.
- ◆ Trekk til låseskruen for å sikre vernet på verktøyet.
- ◆ Om nødvendig, strammer du skruen for å øke klemmekraften.

Demontering

- ◆ Løsne festeskruen på vernet.
- ◆ Drei vernet med klokken for å plassere tappene (5a) i forhold til hakkene (10).
- ◆ Fjern vernet fra verktøyet.

Advarsel! Bruk aldri verktøyet uten beskyttelseskjermen.

Montere sidehåndtaket

- ◆ Skru sidehåndtaket (3) inn i et av monteringshullene i verktøyet.

Advarsel! Bruk alltid sidehåndtaket.

Montere og demontere slipe- eller kutteskiver eller pusseklaffskiver (figur H, I, J, K, L)

Bruk alltid riktig type skive for anvendelsen.

Bruk alltid skiver med riktig diameter og hulldimensjon (se tekniske data).

Montering

- ◆ Monter vernet som beskrevet ovenfor.
- ◆ Sett den indre flensen (12) på spindelen (11) som vist på figuren. Pass på at flensen er riktig plassert på de flate sidene av spindelen.
- ◆ Sett skiven (6) på spindelen (11) som vist på figur H. Dersom skiven har et forhøyet senter, pass på at det forhøyede senteret ligger mot den indre flensen.
- ◆ Pass på at skiven plasseres korrekt på den indre flensen.
- ◆ Plasser den ytre flensen (14) på spindelen. Når du monterer en slipeskive, skal den opphøyde midtdelen på den ytre flensen vende mot skiven (A i figur I). Når du monterer en kutteskive, skal den opphøyde midtdelen på den ytre flensen vende bort fra skiven (B i figur I).
- ◆ Hold spindellåsen (4) nedklemt, og stram den ytre flensen med nøkkelen (16) med to tapper (figur J).

Demontering

- ◆ Hold spindellåsen (4) nedklemt, og løsne den ytre flensen (14) med nøkkelen (16) med to tapper (figur J).
- ◆ Fjern den ytre flensen (14) og skiven (6).

Overflatesliping med slipeskiver

- ◆ La verktøyet komme opp i full hastighet før du lar det berøre arbeidsoverflaten.
- ◆ Bruk minimalt trykk mot arbeidsflaten for å la verktøyet gå med full hastighet. Slipehastigheten er høyest når verktøyet går med høy hastighet.

- ◆ La det være en vinkel på 20° til 30° mellom verktøyet og arbeidsoverflaten som vist på figur L.
- ◆ Beveg verktøyet kontinuerlig frem og tilbake for å unngå å slipe spor i arbeidsflaten.
- ◆ Løft verktøyet fra arbeidsflaten før du slår verktøyet av. La verktøyet stoppe rotasjonen før du legger det ned.

Kantsliping med slipeskiver

Skiver som brukes til kutting og kantsliping, kan gå i stykker eller slå tilbake hvis de bøyer eller vrir seg mens verktøyet brukes til avkutting eller dysliping.

Kantsliping/kutting med et type 27 hjul må begrenses til grunn kutting og innskjæring, mindre enn 13 mm i dybde når hjulet er nytt. Reduser dybden på kuttet/innskjæringen likt som reduksjonen av hjulets radius når det slites ned. Se "Slipe og kuttetilbehørdiagram" bak i denne bruksanvisningen for mer informasjon.

Kantsliping/kutting med et type 41 hjul krever bruk av et type 41 vern.

- ◆ La verktøyet komme opp i full hastighet før du lar det berøre arbeidsoverflaten.
- ◆ Bruk minimalt trykk mot arbeidsflaten for å la verktøyet gå med full hastighet. Slipehastigheten er høyest når verktøyet går med høy hastighet.
- ◆ Plasser deg slik at den åpne undersiden av hjulet peker bort fra deg.
- ◆ Når du har startet et kutt og har laget et spor i arbeidsstykket, ikke endre vinkelen på kuttet. Endring av vinkelen kan føre til at skiven bøyer seg og kan brette. Skiver for kantsliping er ikke designet for å motstå sidetrykk fra bøying.
- ◆ Løft verktøyet fra arbeidsflaten før du slår verktøyet av. La verktøyet stoppe rotasjonen før du legger det ned.

Advarsel! Ikke bruk skiver for kantsliping/kapping for sliping av overflater, da slike skiver ikke er designet for sidetrykk som oppstår ved overflatesliping. Det kan føre til at skivene brekker og til alvorlige personskader.

Sette på og ta av sandpapisriver (figur K)

Ved pussing kreves en underlagsskive. Underlagsskiven er tilgjengelig hos BLACK+DECKER forhandleren som tilbehør.

Montering

- ◆ Sett den indre flensen (12) på spindelen (11) som vist (figur K). Pass på at flensen er riktig plassert på de flate sidene av spindelen.
- ◆ Plasser underlagsskiven (18) på spindelen.
- ◆ Plasser sandpapisriveren (19) på underlagsskiven.
- ◆ Plasser den ytre flensen (14) på spindelen med den opphøyde midtdelen vendt bort fra skiven.
- ◆ Hold spindellåsen (4) nedklemt, og stram den ytre flensen med nøkkelen (16) med to tapper (figur J). Pass på at den

ytre flensen er riktig montert, og at skiven er klemt godt fast.

Demontering

- ◆ Hold spindellåsen (4) nedklemt, og løsne den ytre flensen (14) med nøkkelen (16) med to tapper (figur J).
- ◆ Fjern den ytre flensen (14), sandpapisriveren (19) og underlagsskiven (18).

Overflatefinpussing med sandpapisriver

- ◆ La verktøyet komme opp i full hastighet før du lar det berøre arbeidsoverflaten.
- ◆ Bruk minimalt trykk mot arbeidsflaten for å la verktøyet gå med full hastighet. Slipehastigheten er høyest når verktøyet går med høy hastighet.
- ◆ La det være en vinkel på 5° til 10° mellom verktøyet og arbeidsoverflaten som vist på figur M.
- ◆ Beveg verktøyet kontinuerlig frem og tilbake for å unngå å slipe spor i arbeidsflaten.
- ◆ Løft verktøyet fra arbeidsflaten før du slår verktøyet av. La verktøyet stoppe rotasjonen før du legger det ned.

Bruke pusseunderlagsskiver

Velg passende sandpapisriver for din bruk. Sandpapisriver kan leveres med ulik finhet. Grovt papir gir raskere sliping og grovere overflate. Fint papir gir langsommere sliping og glattere overflate. Begynn med grovt papir for rask og grov materialfjerning. Gå over til middels finhet og avslutt med fint sandpapir for optimal overflatefinish.

- ◆ Grov = 16 - 30
- ◆ Middels = 36 - 80
- ◆ Kornstørrelse på 100 - 120 til fin finishing
- ◆ Kornstørrelse på 150 - 180 til svært fin finishing
- ◆ La verktøyet komme opp i full hastighet før du lar det berøre arbeidsoverflaten.
- ◆ Bruk minimalt trykk mot arbeidsflaten for å la verktøyet gå med full hastighet. Slipehastigheten er høyest når verktøyet går med høy hastighet.
- ◆ Oppretthold en vinkel på 5° til 10° mellom verktøyet og arbeidsoverflaten som vist på figur N. Sandpapisriveren skal kontakte omtrent 25mm av arbeidsoverflaten.
- ◆ Beveg verktøyet konstant i en rett linje for å unngå sviing eller sirkelspor på arbeidsflaten. Dersom du lar verktøyet hvile mot arbeidsflaten uten å bevege det, eller beveger verktøyet i sirkler kan føre til svimerker eller sirkelspor på arbeidsflaten.
- ◆ Løft verktøyet fra arbeidsflaten før du slår verktøyet av. La verktøyet stoppe rotasjonen før du legger det ned.

Forholdsregler ved sliping av maling

- ◆ Sliping av blyholdig maling er **IKKE ANBEFALT** grunnet vanskeligheten med å kontrollere det forurensete støv.

Den største faren for blyforgiftning er for barn og gravide kvinner.

- ◆ Ettersom det er vanskelig å identifisere hvorvidt en maling inneholder bly uten en kjemisk analyse anbefaler vi følgende forholdsregler ved sliping av maling:
 - ◆ Ingen barn eller gravide kvinner skal gå inn i arbeidsområdet under sliping av maling før all opprydding er gjort ferdig.
 - ◆ En støvmaske eller respirator skal brukes av alle personer som går inn i arbeidsområdet. Filteret skal skiftes daglig eller når brukeren har problemer med å puste.

Merk: Det skal kun brukes spesielle støvmasker for blyholdig maling og damp. Vanlige malemasker gir ikke nok beskyttelse. Se din lokale jernvareforretning for en riktig godkjent maske.

- ◆ **INGEN SPISING, DRIKKING eller RØYKING** skal foregå i arbeidsområdet for å hindre inntak av forurensete malingspartikler. Arbeidere må vaske seg FØR spising, drikking eller røyking. Mat-, drikke-, og røykartikler må ikke legges igjen i arbeidsområdet der støv kan legge seg på dem.
- ◆ Maling må fjernes på en slik måte at minimalt med støv produseres.
- ◆ Områder der det foregår fjerning av maling bør forsegles med plast med 4 mil tykkelse.
- ◆ Sliping må gjøres på en slik måte at malingstøv ikke tas med utenfor arbeidsområdet.
- ◆ Alle overflater i arbeidsområdet må støvsuges og grundig rengjøres daglig mens slipingen pågår. Støvsugerposer skal byttes ofte.
- ◆ Plasser plastfilm for oppsamling av støv, fliser og annet avfall. De skal plasseres i forseglede avfallsbeholdere og kastes som vanlig avfall. Under rengjøring skal barn og gravide kvinner holdes unna arbeidsområdet.
- ◆ Alle leketøy, vaskbar møbler og ting brukt av barn må vaskes grundig før de brukes igjen.

Montering og bruk av stålborster og stålborstehjul

Installer stålborste eller stålborstehjul direkte på den slipespindelen uten å bruke flenser. Type 27 beskyttelse er nødvendig når stålborster og stålborsteskiver brukes. Bruk arbeidshansker når du jobber med stålborster og -skiver. De kan være skarpe. Skiver eller børster må ikke berøre beskyttelsesanordningen ved montering eller under bruk. Tilbehøret kan få usynlige skader, som kan føre til at stålfragmenter løsner fra tilbehør eller børste.

- ◆ Skru skiven på spindelen for hånd.
- ◆ Trykk ned spindellåsknappen og bruk en nøkkel på navet til stålskiven eller- børsten for å stramme skiven.
- ◆ For å fjerne hjulet, gjenta prosedyren over i motsatt rekkefølge.

Advarsel! Hvis ikke skiven er festet skikkelig før du slår på verktøyet kan verktøyet eller skiven skades.

Stålbørster/hjul kan brukes for å fjerne rust, skall og maling og for å glatte ujevne overflater.

Merk: Samme forholdsregler må tas når du trådbørster maling som når du pusser maling.

- ◆ La verktøyet komme opp i full hastighet før du lar det berøre arbeidsoverflaten.
- ◆ Bruk minimalt trykk mot arbeidsflaten for å la verktøyet gå med full hastighet. Slipehastigheten er høyest når verktøyet går med høy hastighet.
- ◆ La det være en vinkel på 5° til 10° mellom verktøyet og arbeidsoverflaten for trådbørstekoppen som vist på figur O.
- ◆ Oppretthold kontakt mellom kanten av skiven og arbeidsflaten når du bruker stålbørste.
- ◆ Beveg verktøyet kontinuerlig frem og tilbake for å unngå å slipe spor i arbeidsflaten. Dersom du lar verktøyet hvile mot arbeidsflaten uten å bevege det, eller beveger verktøyet i sirkler kan føre til svimerker eller sirkelspor på arbeidsflaten.
- ◆ Løft verktøyet fra arbeidsflaten før du slår verktøyet av. La verktøyet stoppe rotasjonen før du legger det ned.

Advarsel! Vær ekstra forsiktig ved arbeid på en kant, da en plutselig rask bevegelse av slipeskiven kan oppleves.

Montere og bruke kuttehjul (type 41)

Kappehjul omfatter diamantskiver og slipeskiver. Slipeskiver kan leveres for kapping i metall og betong. Diamantskiver kan også brukes for kapping i betong.

MERK: Et lukket 2-sidig type 41 kuttesskivevern som selges separat er nødvendig ved bruk av kappehjul. Dersom det ikke brukes korrekt flens og beskyttelse, kan det oppstå personskader ved brudd i skiven og kontakt med skiven. Det må brukes støttestøtflens og festemutter med passende diameter (følger med verktøyet) for kappehjulene.

Montere kuttehjul

- ◆ Sett den ugjengede støtteflensen på spindelen med forhøyet senter opp (pilot) skal peke oppover. Det forhøyede senteret (pilot) på støtteflensen er mot hjulet når det monteres.
- ◆ Legg skiven på støtteflensen, senteret hjulet på det forhøyede senteret (pilot).
- ◆ Installer den gjengede festemutteren med forhøyet senter (pilot) bort fra hjulet.
- ◆ Trykk ned spindellåsknappen og stram festemutteren med nøkkelen (16) som følger med.
- ◆ For å fjerne hjulet, hold nede spindellåsknappen og løsne den gjengede festemutteren med skiftesnøkkelen som følger med.

Advarsel! Ikke bruk skiver for kantsliping/kapping for sliping av overflater, da slike skiver ikke er designet for sidetrykk som oppstår ved overflatesliping. Det kan føre til at skivene brekker og til personskader.

- ◆ La verktøyet komme opp i full hastighet før du lar det berøre arbeidsoverflaten.
- ◆ Bruk minimalt trykk mot arbeidsflaten for å la verktøyet gå med full hastighet. Slipehastigheten er høyest når verktøyet går med høy hastighet.
- ◆ Når du har startet et kutt og har laget et spor i arbeidsstykket, ikke endre vinkelen på kuttet. Endring av vinkelen kan føre til at skiven bøyer seg og kan brenke.
- ◆ Løft verktøyet fra arbeidsflaten før du slår verktøyet av. La verktøyet stoppe rotasjonen før du legger det ned.

Bruk

Advarsel! La verktøyet arbeide i sin egen hastighet. Må ikke overbelastes.

- ◆ Vær forberedt på en strøm av gnister når slipe- eller kutteskiven berører arbeidsstykket.
- ◆ Plasser alltid verktøyet slik at vernet gir maksimal beskyttelse mot slipe eller kutteskiven.

Slå på og av

- ◆ Når du skal slå apparatet på, skyver du på/av-bryteren (2) fremover.
- ◆ Skyv av/på-knappen (2) bakover for å slå verktøyet av.

Advarsel! Ikke slå verktøyet av mens det er belastet.

Advarsel! Sett alltid på låsen når verktøyet ikke brukes.

Råd for optimal bruk

- ◆ Hold verktøyet fast med den ene hånden rundt sidehåndtaket og den andre hånden rundt hovedhåndtaket.
- ◆ Når du sliper, må du alltid opprettholde en vinkel på ca. 20° til 30° mellom skiven og arbeidsstykkets overflate.


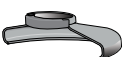

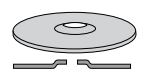
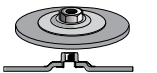


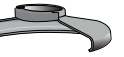

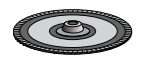
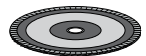

Vedlikehold

BLACK+DECKER-apparatet/-verktøyet med ledning/batteri er laget for å brukes over lang tid med et minimum av vedlikehold. For at den skal fungere tilfredsstillende over tid, er det viktig å sørge for riktig stell av verktøyet og regelmessig renhold.

Advarsel! Før du utfører vedlikehold på elektriskdrevet/batteridrevet elektroverktøy:

- ◆ Slå av apparatet/verktøyet og trekk ut støpselet.
- ◆ Eller slå av apparatet/verktøyet og fjern batteriet fra dette hvis apparatet/verktøyet har separat batteripakke.
- ◆ Eller la batteriet gå helt tomt hvis det er innebygd, og slå deretter av.
- ◆ Fjern laderen fra stikkontakten før du rengjør den. Laderen krever ikke annet vedlikehold enn regelmessig rengjøring.
- ◆ Rengjør ventilasjonsåpningene i apparatet/verktøyet/laderen jevnlig med en myk børste eller tørr klut.
- ◆ Rengjør motorhuset regelmessig med en fuktig klut. Ikke bruk slipende eller løsemiddelbaserte rengjøringsmidler.

Diagram over tilbehør for sliping og kutting

Slipeskiver	
	
Type 27-vern	Type 27-vern
	
Ugjenget bakre flens	
	
Type 27-skive med midtstilt trykk	Type 27-hjul med nav
	
Gjenget klemmemutter	
Sandpapir-lamellskiver	
	
Type 27-vern	Type 27-vern
	
	Ugjenget bakre flens
	
Sandpapir lamellskiver med nav	Sandpapir lamellskiver uten nav
	
	Gjenget klemmemutter

Miljøvern



Separat avfallshåndtering. Produkter og batterier merket med dette symbolet skal ikke kastes i vanlig husholdningsavfall.

Produkter og batterier inneholder materialer som kan gjenbrukes eller gjenvinnes for å redusere behovet for nye råmaterialer.

Vennligst lever elektrisk utstyr og batterier til gjenbruk i henhold til lokale regler. Mer informasjon finner du på www.2helpU.com

Tekniske data

		BCG720 M1	BCG720 N
Inngangsspenning	V _{DC}	18	18
Nominell hastighet (ubelastet)	min ⁻¹	8600	8600
Skivehulldimensjon	mm	22	22
Maks. skivetykkelse			
Slipeskiver	mm	6	6
Kappeskiver	mm	3,5	3,5
Spindelstørrelse		M14	M14
Vekt	kg	2,1 minus batteri og skive	2,1 minus batteri og skive
Batteri		BL4018	Bare enheten (ikke inkludert)
Spenning	V _{DC}	18	
Kapasitet	Ah	4,0	
Type		Li-Ion	
Lader		9059995*	Bare enheten (ikke inkludert)
Inngangsspenning	V _{AC}	230	
Utgangsspenning	V _{DC}	18	
Strøm	A	1,0	
Omtrentlig ladetid	Timer	4	

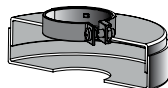
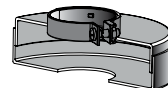


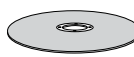
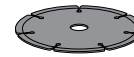






Lydtrykknivå i henhold til EN 60745:

Lydtrykk (L_{PA}) 76dB(A), usikkerhet (K) 4dB(A)

Lydeffekt (L_{WA}) 87dB(A), usikkerhet (K) 4 dB(A)

Totale vibrasjonsverdier (triaks vektorsum) bestemt i samsvar med EN 60745:

Overflatesliping (a_{h,SD}): 7,3m/s², K=1,5m/s².
 Sandpapirskive (a_{h,SD}): 1,9m/s², K=1,5m/s².
 Polering (a_{h,p}): 8,6m/s², K=2,4m/s².
 Stålbørsting (a_{h,WB}): 3,8m/s², K=1,5m/s².
 Kapping (a_{h,CO}): 4,0m/s², K=1,5m/s².

Type 41 kappeskiver	
	
Type 41-vern	Type 41-vern
	
Underlagsflens	Underlagsflens
	
Kappskive	Diamantkutteskiver
	
Klemmemutter	Klemmemutter
Trådsiskiver	
	
Type 27-vern	Type 27-vern
	
3 tommers stålbørstekopp	4 tommers stålbørstekopp
Sandpapirskiver	
	
Underlagskive i gummi	
	
Sandpapirskive	
	
Gjenget klemmemutter	

EU-samsvarserklæring

MASKINDIREKTIVET



BCG720 vinkelsliper

Black & Decker erklærer at de produktene som er beskrevet under Tekniske data, er i samsvar med:
2006/42/EC, EN 60745-1:2009 + A11:2010;
EN 60745-2-3:2011 + A2:2013 + A11:2014
+ A12:2014 + A13:2015

Disse produktene er også i samsvar med direktiv 2014/30/EU og 2011/65/EU.

Hvis du ønsker mer informasjon, kan du kontakte Black & Decker på adressen under eller se baksiden av bruksanvisningen.

Undertegnede er ansvarlig for utarbeidelsen av den tekniske dokumentasjonen og gir denne erklæringen på vegne av Black & Decker.

R. Laverick
Director of Engineering
Black & Decker Europe, 210 Bath Road, Slough,
Berkshire, SL1 3YD
United Kingdom
10/01/2018

Garanti

Black & Decker er trygg på kvaliteten av produktene sine og tilbyr en 24 måneders garanti fra kjøpsdato. Denne garantierklæringen kommer i tillegg til dine lovbestemte rettigheter og er ikke i konflikt med disse. Garantien er gyldig innen områdene tilhørende medlemslandene i den Europeiske Union (EU) og det Europeiske Frihandelsområdet (EFTA).

For å ta garantien i bruk må kravet være i samsvar med kjøpsbetingelsene fra Black&Decker og du må vise kjøpskvittering til forhandleren eller til et autorisert serviceverksted. Betingelsene for Black & Deckers 2 års garanti og adressen til din nærmeste autoriserte serviceverksted kan du finne på internett under www.2helpU.com, eller ved å kontakte ditt lokale Black & Decker kontor, adressen er angitt i denne bruksanvisningen.

Besøk våre nettsider på www.blackanddecker.no for å registrere ditt nye Black & Decker-produkt og for å få informasjon om nye produkter og spesialtilbud.

Tilsigtede brug

Din BLACK+DECKER BCG720 M1, BCG720 N-vinkelsliber er designet til at slibe og skære metal og murværk vha. den rette type skære- eller slibeskive, når det er udstyret med den passende beskyttelsesskærm. Værktøjet er kun beregnet til privat brug.

Sikkerhedsinstruktioner

Generelle sikkerhedsadvarsler vedrørende elværktøj



Advarsel! Læs alle sikkerhedsadvarsler og alle instruktioner. Hvis efterfølgende advarsler og instruktioner ikke følges, er der risiko for elektrisk stød, brand og alvorlige kvæstelser.

Gem alle advarsler og instruktioner til fremtidig reference.

Begrebet "elværktøj", der benyttes i nedenstående advarsler, henviser til netdrevet elværktøj (med netledning) eller batteridrevet elværktøj (uden netledning).

1. Sikkerhed i arbejdsområdet

- Hold arbejdsområdet rent og ordentligt oplyst.** Rodede eller mørke områder giver anledning til ulykker.
- Brug ikke elværktøj i eksplosive omgivelser, f.eks. hvor der er brændbare væsker, gasser eller støv.** Elværktøj danner gnister, der kan antænde støv eller dampe.
- Hold børn og andre personer i nærheden på afstand, når der arbejdes med elværktøj.** Distractioner kan medføre, at du mister kontrollen.

2. Elektricitet og sikkerhed

- Elværktøjets stik skal passe til kontakten. Stikket må aldrig modificeres på nogen måde. Undlad at bruge adapterstik sammen med (jordforbundet) elektrisk værktøj.** Umodificerede stik og dertil passende stikkontakter reducerer risikoen for elektrisk stød.
- Undgå kropskontakt med jordforbundne overflader som f.eks. rør, radiatorer, komfurer og køleskabe.** Der er øget risiko for elektrisk stød, hvis din krop er jordforbundet.
- Udsæt ikke elværktøj for regn, og brug det ikke, hvor omgivelserne er våde.** Hvis der trænger vand ind i et elektrisk værktøj, øges risikoen for elektrisk stød.
- Pas på, at ledningen ikke beskadiges. Brug aldrig ledningen til at bære, trække værktøjet eller trække det ud af stikkontakten. Hold ledningen borte fra varme, olie, skarpe kanter og bevægelige dele.** Beskadigede eller sammenflettede ledninger øger risikoen for elektrisk stød.

- Hvis elværktøj benyttes i det fri, skal der benyttes en forlængerledning, som er godkendt til udendørs brug.** Brug af en ledning, der er egnet til udendørs brug, reducerer risikoen for elektrisk stød.
- Brug en strømkilde med fejlstrømsrelæ, hvis det er nødvendigt at anvende elværktøj på fugtige steder.** Ved at benytte en fejlstrømsafbryder reduceres risikoen for elektrisk stød.

3. Personssikkerhed

- Vær opmærksom, hold øje med, hvad du laver og brug elværktøjet fornuftigt. Betjen ikke værktøjet, hvis du er træt, påvirket af narkotika, alkohol eller medicin.** Et øjeblik uopmærksomhed under anvendelse af et elektrisk værktøj kan forårsage alvorlige kvæstelser.
 - Brug personligt beskyttelsesudstyr. Bær altid beskyttelsesbriller.** Det er muligt at reducere risikoen for kvæstelser ved alt efter omstændighederne at anvende det passende sikkerhedsudstyr såsom støvmasker, skridsikre sikkerhedssko, sikkerhedshjelm eller høreværn.
 - Træf forholdsregler, så utilsigtede start ikke er mulig. Kontrollér, at afbryderkontakten står på slukket, inden værktøjet tilsluttes strømkilden og/eller batteriet, samles op eller bæres.** Når elektrisk værktøj bæres med fingeren på kontakten eller tilsluttes, når kontakten er tændt, giver det anledning til ulykker.
 - Fjern indstillingsnøgle eller skruenøgle, inden elværktøjet startes.** En skruenøgle eller anden nøgle, der bliver siddende på en roterende del af elektrisk værktøj, kan forårsage kvæstelser.
 - Stræk dig ikke for langt. Hold hele tiden en god fodstilling og balance.** Dette udgør at du har bedre kontrol over det elektriske værktøj, når uventede situationer opstår.
 - Brug egnet arbejdstøj. Bær ikke løst tøj eller smykker. Hold dit hår, tøj og handsker væk fra bevægelige dele.** Løstsiddende tøj, smykker eller langt hår kan blive fanget i bevægelige dele.
 - Hvis der kan monteres støvudsugnings- og opsamlingsudstyr, skal dette tilsluttes og benyttes korrekt.** Anvendelse af støvsamlingsudstyr kan begrænse farer forårsaget af støv.
 - Lad ikke kendskab fra hyppig brug af værktøjer gøre dig uforsigtig og få dig til at ignorere principperne for værktøjsikkerhed.** En uforsigtig handling kan forårsage alvorlig personskade på en brøkdelt af et sekund.
- #### 4. Brug og vedligeholdelse af elværktøj
- Overbelast ikke elværktøjet. Brug det elværktøj, der er bedst egnet til det arbejde, der skal udføres.** Det korrekte elværktøj klarer opgaven bedre og mere sikkert med den effekt, som det er konstrueret til.

- Brug ikke elværktøjet, hvis afbryderkontakten er defekt.** Alt elektrisk værktøj, der ikke kan kontrolleres med kontakten, er farligt og skal repareres.
- Træk stikket ud af stikkontakten og/eller batteriet inden indstilling, tilbehørsudskiftning eller opbevaring af elværktøjet.** Sådanne forebyggende sikkerhedsforanstaltninger mindsker risikoen for, at værktøjet startes utilsigtet.
- Opbevar ubenyttet elværktøj uden for børns rækkevidde. Lad aldrig personer, der ikke er fortrolige med elværktøjet, eller som ikke har læst denne vejledning, benytte maskinen.** El-værktøj er farligt i hænderne på personer, som ikke er instrueret i brugen deraf.
- Elværktøj skal vedligeholdes. Kontroller, om bevægelige dele er skæve og ikke sidder fast, og om delene er brækket eller beskadiget, så elværktøjets funktion påvirkes. Hvis det elektriske værktøj er beskadiget, skal det repareres før brug.** Mange ulykker er forårsaget af dårligt vedligeholdt værktøj.
- Hold skæreværktøj skarpt og rent.** Ordentligt vedligeholdt skæreværktøj med skarpe skærekanter har mindre tilbøjelighed til at binde og er lettere at styre.
- Brug elværktøjet, tilbehøret, værktøjsindsatser osv. i overensstemmelse med disse instruktioner under hensyntagen til arbejdsforholdene og arbejdet, der skal udføres med værktøjet.** Brug af elektrisk værktøj til andre opgaver end dem, det er beregnet til, kan resultere i en farlig situation.
- Hold håndtagene og håndtagsfladerne tørre, rene og fri for olie og fedt.** Glatte håndtag og håndtagsflader giver ikke en sikker håndtering og kontrol af værktøjet i uventede situationer.

5. Brug og pleje af batteriværktøj

- Genoplad kun med den oplader, som producenten har angivet.** En oplader, der passer til en type batteripakke, kan udgøre en risiko for brand, når den bruges til en anden type.
- Elværktøj må kun bruges med batteripakker, der er beregnet hertil.** Brugen af andre batteripakker kan medføre personskade og brand.
- Når batteripakken ikke er i brug, skal den holdes på afstand af andre metalgenstande, f.eks. papirclips, mønter, nøgler, søm, skruer og andre små metalgenstande, som kan skabe forbindelse mellem de to poler.** Kortslutning af batteriet kan forårsage forbrændinger eller brand.
- Under grove forhold kan væske sive ud fra batteriet; undgå kontakt. Hvis der opstår kontakt ved et uheld, skyl med vand. Hvis væske kommer ind i øjnene, søg omgående lægehjælp.** Væske, der siver ud fra batteriet, kan fremkalde irriteringer eller forbrændinger.

- e. **Brug ikke en batteripakke eller et værktøj, der er beskadiget eller modificeret.** Beskadigede eller modificerede batterier kan udvise uforudsigelig adfærd, hvilket kan resultere i brand, eksplosion eller risiko for personskade.
- f. **Udsæt ikke en batteripakke eller et værktøj for ild eller for høj temperatur.** Udsættelse for ild eller temperatur på over 130 °C kan forårsage eksplosion.
- g. **Følg alle opladningsanvisninger, og undlad at oplade batteripakken eller værktøjet uden for det temperaturinterval, der er specificeret i instruktionerne.** En forkert opladning eller opladning uden for det specificerede interval kan beskadige batteriet og øge risikoen for brand.

6. Service

- a. **Lad kun fagkyndige personer reparere elværktøjet og benyt kun originale reservedele.** Derved sikres det, at værktøjets driftssikkerhed opretholdes.
- b. **Der må aldrig foretages service på beskadigede batteripakker.** Service af batteripakker bør kun udføres af producenten eller autoriserede serviceudbydere.

Yderligere sikkerhedsadvarsler for elværktøj



Advarsel! Yderligere sikkerhedsadvarsler som er almindelige i forbindelse med tilslibning, slibning med sandpapir, stålborstning, polering eller afskæring ved slibning:

- ◆ **Dette elværktøj er beregnet til at fungere som slibemaskine, slibning med sandpapir, stålborster, polerings- og afskæringsværktøj. Læs alle sikkerhedsadvarsler, instruktioner, illustrationer og specifikationer, der følger med dette elværktøj.** Manglende overholdelse af alle nedenstående instruktioner kan medføre elektrisk stød, brand og/eller alvorlige kvæstelser.
- ◆ **Anden brug end den, elværktøjet er fremstillet til, kan udgøre en fare og forårsage personskade.**
- ◆ **Anvend ikke tilbehør, der ikke er specielt konstrueret til værktøjet og ikke er anbefalet af værktøjsproducenten.** Blot fordi tilbehøret kan påsættes værktøjet, garanterer det ikke sikker betjening.
- ◆ **Tilbehørets nominelle hastighed skal mindst svare til den maksimale hastighed, der er angivet på elværktøjet.** Tilbehør, der kører hurtigere end dets nominelle hastighed, kan gå itu og flyve væk.
- ◆ **Tilbehørets udvendige diameter og tykkelse skal ligge inden for elværktøjets nominelle kapacitet.** Tilbehør med forkert størrelse kan ikke afskærmes eller kontrolleres i tilstrækkelig grad.
- ◆ **Ved montering af tilbehør med skruer skal disse passe til slibespindelgevindet. For tilbehør monteret med**

flanger skal dornhullet på tilbehøret passe til flangens diameter. Tilbehør, der ikke passer til el-værktøjets monteringsudstyr, roterer med ujævne bevægelser og vibrerer for meget, hvilket kan medføre, at du mister kontrollen.

- ◆ **Brug ikke beskadiget tilbehør. Før brug af tilbehør skal f.eks. slibeskiver undersøges for skår og revner, støttepuder for revner eller slid og stålborste for løse eller knækkede træde. Hvis elværktøjet eller tilbehøret tabs, bør det undersøges for beskadigelser, eller der bør monteres ubeskadiget tilbehør. Efter inspektion og montering af et tilbehør skal elværktøjet køre ved maksimal hastighed uden belastning i et minut.** Beskadiget tilbehør vil normalt gå i stykker under denne testkørsel.
- ◆ **Brug personlige værnemidler. Afhængig af brugen bør du anvende ansigtsskærm eller beskyttelsesbriller. Hvis det er nødvendigt, skal du anvende støvmaske, hørebeskyttelse, handsker og et arbejdsforklæde, der kan modstå små slibepartikler eller arbejdsemnefragmenter.** Øjenbeskyttelsen skal kunne stoppe flyvende fremmedlegemer, der opstår som følge af de forskellige betjening. Støvmasken eller åndedrætsværnet skal kunne filtrere partikler, der opstår ved arbejdet. Forlænget eksponering for høj, intens støj kan forårsage høreskader.
- ◆ **Hold omkringstående på sikker afstand af arbejdsområdet. Personer, der befinder sig i arbejdsområdet, skal anvende personlig beskyttelsesudstyr.** Fragmenter af arbejdsemnet eller ødelagt tilbehør kan flyve afsted og forårsage kvæstelser uden for det umiddelbare arbejdsområde.
- ◆ **Hold fast i elværktøjet på de isolerede håndtagsflader, når der skal saves i emner, hvor skæreværktøjet kan komme i berøring med skjulte ledninger eller sit eget kabel.** Kommer skæreværktøjet i kontakt med en strømførende ledning, kan blotlagte metaldele på elværktøjet gøres strømførende og give stød til brugeren.
- ◆ **Brug klemmer eller en anden praktisk måde for at fastgøre og understøtte arbejdsemnet til et stabilt underlag.** Hvis du holder fast i arbejdsemnet med din hånd eller krop, vil det være ustabil, og det kan medføre, at du mister kontrollen over det.
- ◆ **Hold ledningen væk fra roterende tilbehør.** Hvis du mister kontrollen, er det muligt at ledningen bliver skåret i stykker eller hænge fast, og din hånd eller arm kan trækkes ind i det roterende tilbehør.
- ◆ **Læg aldrig værktøjet fra dig, før tilbehøret er helt stoppet.** Det roterende tilbehør kan gribe fast i overfladen, og du kan miste kontrollen over elværktøjet.
- ◆ **Start ikke elværktøjet, mens du bærer det ind mod kroppen.** Utilsigtet kontakt med det roterende tilbehør kan hænge fast i dit tøj og efterfølgende ind i huden.

- ◆ **Rengør regelmæssigt elværktøjets ventilationsåbninger.** Motorens ventilator vil trække støv ind i kabinettet, og for megen akkumulering af metalstykker kan udgøre en elektrisk risiko.
- ◆ **Anvend ikke elværktøjet tæt på brændbare materialer.** Gnister kan antænde disse materialer.
- ◆ **Anvend ikke tilbehør, der kræver kølevæske.** Brug af vand eller anden kølevæske kan resultere i livsfarligt elektrisk stød.

Bemærk: Ovenstående advarsel gælder ikke for elværktøj, der specifikt er designet til anvendelse med et kølevæskesystem.

Tilbageslag og relaterede advarsler

Tilbageslag er en pludselig reaktion på et fastklemt eller blokeret sliberulle, støttepude, børste eller andet tilbehør. Fastklemning eller blokering forårsager hurtig bremsning af det roterende tilbehør, som derefter tvinger det ukontrollerede elværktøj i modsat retning af tilbehørets rotation ved det pågældende punkt.

F.eks. hvis en slibeskive er fastklemt eller blokeret af arbejdsemnet, kan kanten af skiven, der er på vej ind i det spidse punkt, grave sig ind i overfladen på materialet og forårsage, at skiven arbejder sig ud eller slår tilbage. Skiven kan enten springe imod eller væk fra brugeren, afhængigt af retningen af skivens bevægelse ved klemmepunktet. Slibeskiver kan også gå i stykker under disse forhold.

Et tilbageslag opstår som følge af forkert brug eller misbrug af elværktøjet. Det kan undgås ved at følge nedenstående forholdsregler.

- ◆ **Hold godt fast om elværktøjet, og placer kroppen og armen, så du kan modstå tilbageslagskraften. Brug altid det ekstra håndtag, hvis det findes, for at få maksimal kontrol over tilbageslag eller momentreaktion under opstart.** Brugeren kan kontrollere momentreaktioner eller tilbageslagskræfter, hvis der træffes de nødvendige forholdsregler.
- ◆ **Anbring aldrig hånden tæt på det roterende tilbehør.** Tilbehøret kan slå tilbage over din hånd.
- ◆ **Din krop må ikke befinde sig i området, hvor elværktøjet bevæger sig hen, hvis der opstår tilbageslag.** Tilbageslag fører værktøjet i modsat retning af hjulets bevægelse ved blokeringspunktet.
- ◆ **Vær særlig opmærksom ved arbejde på hjørner, skarpe kanter osv. Undgå at tilbehøret hopper eller hænger fast.** Hjørner, skarpe kanter eller bump har en tendens til at blokere det roterende tilbehør og kan forårsage mangel på kontrol eller tilbageslag.
- ◆ **Montér ikke en savkæde med udskæringsklinge eller tandsavklinge.** Sådanne klinger forårsager ofte tilbageslag og mangel på kontrol.

Sikkerhedsadvarsler, som er specifikke for slibning og afskæring ved slibning

- ◆ **Anvend kun skivetyper, der er anbefalet til dit elværktøj og den specifikke skærm, som er konstrueret til den valgte skive.** Hjul, der ikke er fremstillet til værktøjet, kan ikke afskærmes korrekt og er usikre.
- ◆ **Slibefladen på skiver med forsænket midterdel skal monteres under skærkantens flade.** En skive, der ikke er monteret korrekt, og som rager ud over kanten på beskyttelsesskærmen, kan ikke beskyttes tilstrækkeligt.
- ◆ **Skærmen skal fastgøres sikkert til elværktøjet og placeres, så mindst muligt af skiven blotlægges mod brugeren for at opnå bedst mulig sikkerhed.** Skærmen beskytter operatøren mod fragmenter fra en beskadiget skive og utilsigtet kontakt med skiven og gnister, som kan antænde tøjet.
- ◆ **Skiverne må kun benyttes til anbefalede anvendelser. For eksempel: slib ikke med siden af afskæringsskiven.** Slibeskæringskiver er beregnet til perifer slibning. Sidekraft på disse skiver kan ødelægge dem.
- ◆ **Brug altid ubeskadigede skiveflanger med korrekt størrelse og form til den valgte skive.** Korrekte skiveflanger støtter skiven og reducerer dermed muligheden for beskadigelse af skiven. Flanger til skæreskiver kan være forskellige fra slibeskiveflanger.
- ◆ **Brug ikke slidte skiver fra større elværktøjer.** Hjul, der er tilsigtet større elværktøjer, er ikke egnet til det lille værktøjs høje hastighed og kan gå i stykker.

Yderligere sikkerhedsadvarsler, som er specifikke for afskæring ved slibning

- ◆ **Blokér ikke afskæringskiven, og tryk ikke for kraftigt.** Forsøg ikke at foretage et for dybt snit. For stor belastning på hjulet øger sandsynligheden for at det vrides eller sætter sig fast i snittet eller muligheden for tilbageslag eller hjuldefekt.
- ◆ **Du må ikke stå på linje med eller bag den roterende skive.** Når skiven bevæger sig væk fra din krop ved arbejds punktet, kan det mulige tilbageslag medføre at den drejende skive og elværktøjet bevæger sig i din retning.
- ◆ **Sluk for elværktøjet, og hold det stille, indtil skiven er helt stoppet, hvis skiven sætter sig fast, eller hvis et snit afbrydes.** Forsøg aldrig at fjerne afskæringskiven fra snittet, mens skiven er i bevægelse, da der kan forekomme tilbageslag. Find ud af, hvorfor hjulet har sat sig fast, og træf passende forholdsregler, så det ikke kan ske igen.
- ◆ **Genstart ikke snittet i arbejdsemnet.** Lad skiven opnå fuld hastighed og sæt det derefter forsigtigt ind i snittet igen. Skiven kan eventuelt binde,

arbejde sig ud af arbejdsemnet eller forårsage tilbageslag, hvis elværktøjet startes i arbejdsemnet.

- ◆ **Afstøt paneler eller ethvert andet alt for stort arbejdsemne for at minimere risikoen for at skiven bliver klemt fast og tilbageslag.** Store arbejdsemner har en tendens til at synke under deres egenvægt. Arbejdsemnet skal afstøttes på begge sider af skiven, både i nærheden af skærelinjen og ved arbejdsemnets kant.
- ◆ **Vær især forsigtig, hvis der foretages et indstik i eksisterende vægge eller andre steder, hvor du ikke kan se, hvad du skærer i.** Skiver, som rager frem, kan skære i gas- eller vandrør, elektriske ledninger eller genstande, der kan forårsage tilbageslag.

Specifikke sikkerhedsadvarsler ved slibning

- ◆ **Anvend ikke for store sandpapir til skiven.** Følg producentens anbefalinger ved valg af sandpapir. Sandpapir, der går ud over slibepuden, kan flænge og det kan hænge fast, skiven kan gå i stykker eller der forekommer et tilbageslag.

Sikkerhedsadvarsler, som er specifikke for polering

- ◆ **Løse dele af poleringshætten eller dens fastgørelsessnøre må ikke kunne rotere frit. Gem eventuelle løse snører af vejen eller skær dem af.** Løst, roterende tilbehør kan vikles ind i dine fingre eller sætte sig fast på arbejdsemnet.

Sikkerhedsadvarsler, som er specifikke for stålborstning

- ◆ **Vær opmærksom på, at ståltråde slynges ud af børsten selv under almindelig funktion. Overbelast ikke ståltrådene ved at lægge for meget tryk på børsten.** Stålhårene kan nemt trænge gennem tyndt tøj og/eller hud.
- ◆ **Hvis der anbefales en skærm til stålborstning, må tallerkenbørsten eller kopbørsten og skærmen ikke kunne forstyrre hinanden.** Tallerkenbørsten eller kopbørsten kan udvide sig i diameter pga. arbejdsbelastning eller centrifugalkræfter.



Advarsel! Kontakt med eller indånding af støvpartikler fra slibearbejde kan udgøre en fare for både brugerens og eventuelle omkringståendes helbred. Bær en specielt designet støvmaske til beskyttelse mod støv og røg, og sørg for, at personer, der befinder sig på eller kommer ind på arbejdsområdet, også er beskyttet.

Andres sikkerhed

- ◆ Dette udstyr er ikke beregnet til anvendelse af personer (inklusive børn) med nedsatte fysiske, sensoriske eller

mentale handicaps eller med mangel på erfaringer eller viden, medmindre de er under opsyn eller har fået instruktioner i brugen af udstyret af en person, der er ansvarlig for deres sikkerhed.

- ◆ Børn skal holdes under opsyn, så det sikres, at de ikke leger med værktøjet.

Resterende risici

Der kan opstå yderligere, tilbageværende risici under brugen af apparatet, som muligvis ikke behandles i de vedlagte sikkerhedsadvarsler.

Disse risici kan opstå pga. forkert anvendelse, langvarig brug etc.

Selv ved overholdelse af relevante sikkerhedsforskrifter og anvendelse af sikkerhedsudstyr kan visse resterende risici ikke undgås. Disse omfatter:

- ◆ Kvæstelser forårsaget af berøring af roterende/bevægelige dele.
- ◆ Kvæstelser forårsaget af udskiftning af dele, klinger eller tilbehør.
- ◆ Kvæstelser forårsaget af langvarig brug af et værktøj. Husk at holde pause jævnlige ved brug af et apparat i længere tid.
- ◆ Hørenedsættelse.
- ◆ Sundhedsrisici forårsaget af indånding af støv, der genereres ved brug af værktøjet (eksempel: arbejde med træ, især, eg, bøg og MDF.)

Vibration

De angivne værdier for udsendelse af vibration anført under de tekniske data og overensstemmelseserklæringen er målt i henhold til standardtestmetoden i EN 60745 og kan bruges til at sammenligne ét værktøj med et andet. Den angivne vibrationsemissionsværdi kan også bruges i forbindelse med en foreløbig vurdering af eksponeringen.

Advarsel! Værdien for vibrationsemission ved faktisk brug af elværktøjet kan afvige fra den angivne værdi afhængig af måden, værktøjet anvendes på. Vibrationsniveauet kan overstige det angivne niveau.

I vurderingen af eksponeringen for vibration med henblik på fastsættelse af sikkerhedsforanstaltninger som krævet i 2002/44/EF til beskyttelse af personer, der jævnligt anvender elværktøj i deres arbejde, skal der tages hensyn til de faktiske betingelser under brugen, og måden værktøjet bruges på, herunder alle arbejdsrytters afsnit, f.eks. perioder, hvor værktøjet er slukket, og hvor det kører i tomgang, tillige med startperioderne.

Mærkatet på værktøjet

Følgende piktogrammer vises på værktøjet sammen med datokoder:



Advarsel! Brugeren skal læse brugervejledningen for at reducere risikoen for kvæstelser.



Bær beskyttelses- eller sikkerhedsbriller, når du bruger dette værktøj.



Bær høreværn, når du bruger dette værktøj

Yderligere sikkerhedsvejledninger for batterier og ladere

Batterier (kun BCG720M1-enhed)

- ◆ Forsøg aldrig at åbne den af en eller anden grund.
- ◆ Batteriet må ikke udsættes for vand.
- ◆ Må ikke opbevares på steder, hvor temperaturen kan overstige 40°C.
- ◆ Foretag kun opladning ved omgivelsestemperaturer mellem 10 °C og 40 °C.
- ◆ Oplad kun ved hjælp af den medfølgende lader.
- ◆ Ved bortskaffelse af batterierne, skal du følge anvisningerne i afsnittet "Beskyttelse af miljøet".



Forsøg ikke at oplade beskadigede batterier.

Opladere (kun BCG720M1-enhed)

- ◆ Brug kun din BLACK+DECKER-lader til at oplade batteriet i det værktøj, som den blev leveret sammen med. Andre batterier kan eksplodere og forårsage kvæstelser og materielle skader.
- ◆ Forsøg aldrig at oplade ikke-genopladelige batterier.
- ◆ Udskift straks defekte ledninger.
- ◆ Opladeren må ikke udsættes for fugt.
- ◆ Opladeren må ikke åbnes.
- ◆ Undersøg ikke opladeren.



Opladeren er kun beregnet til indendørs brug.



Læs brugervejledningen, før værktøjet tages i brug

Elektricitet og sikkerhed



Opladeren er dobbelt isoleret. Derfor er en jordledning ikke nødvendig. Kontroller altid, at netspændingen svarer til spændingen på typeskiltet. Forsøg aldrig at erstatte opladerenheden med et almindeligt netstik.

- ◆ Hvis netledningen beskadiges, skal den udskiftes af producenten eller et autoriseret BLACK+DECKER-værksted, så farlige situationer undgås.

Funktioner

Apparatet har nogle eller alle af de følgende funktioner.

1. Låseknop
2. Udløserkontakt
3. Sidehåndtag
4. Spindellås
5. Slibeskærm
6. Slibeskive
7. Batteriåbning
8. Batteri (kun BCG720M1-enhed)

Opladning af et batteri (fig. A)

BLACK+DECKER opladere er designet til at oplade BLACK+DECKER batteripakker.

- ◆ Indsæt opladeren (9) i en passende udgang, før en batteripakke indsættes (8).
- ◆ Indsæt batteripakken (8) i opladeren og kontrollér, at batteripakken sidder godt fast i batterisprækkerne (Figur A).



LED-lampen (9a) blinker for at vise, at batteriet oplades.



Når opladningen er færdig, vil det blive angivet af LED-lampen, som vil lyse konstant. Pakken er fuldt opladet og kan nu anvendes eller kan efterlades i opladeren.

- ◆ Genoplad afladede batterier så hurtigt som muligt efter brug, da batteriets levetid ellers kan blive stærkt formindsket. For længste batterilevetid, aflad ikke batterierne helt. Opladning af batterierne efter hver brug anbefales.

Opladerdiagnostik (fig. B)

Denne oplader er udviklet til at registrere visse problemer, der kan opstå med batteripakker eller strømkilden. Problemerne angives med et LED blink i forskellige mønstre.

Dårligt batteri



Opladeren kan registrere et svagt eller beskadiget batteri. LED blinker i det mønster der er angivet på mærkaten. Hvis du ser dette dårlige batteriblinkmønster, forsæt ikke med at oplade batteriet.

Returnér det til et servicecenter eller til et indsamlingssted til genbrug.

Varm/kold pakkeforsinkelse



Når opladeren registrerer et batteri, der er alt for varmt eller alt for koldt, starter den automatisk en varm/kold pakkeforsinkelse og indstiller opladningen, indtil batteriet er blevet normaliseret. Efter dette er sket, skifter opladeren automatisk til

pakkeopladningsfunktionen. Denne funktion sikrer maksimal batterilevetid. Lampen blinker i det mønster, der er angivet på mærkaten.

Lad batteriet blive siddende i opladeren

Du kan lade batteripakken sidde i laderen med tændt lysdiode, så længe det ønskes. Opladeren holder batteripakken klar og fuldt opladet. Denne oplader indeholder en automatisk optuningstilstand, som er lige med eller skaber balance i de enkelte celler i batteripakken, så den kan fungere ved maks. kapacitet. Batteripakker bør tunes op hver uge, eller hver gang batteriet ikke længere giver den samme mængde arbejde. For at bruge den automatiske optuningstilstand skal batteripakken placeres i opladeren og efterlades i mindst 8 timer.

Vigtige bemærkninger om opladning

- Den længste levetid og bedste ydeevne kan opnås, hvis batteripakken oplades, når lufttemperaturen ligger mellem 18 °C – 24 °C. Oplad IKKE batteripakken ved en lufttemperatur under +4,5 °C eller over +40 °C. Dette er vigtigt og vil forhindre alvorlig beskadigelse af batteripakken.
- Opladeren og batteripakken kan blive for varm at røre ved under opladning. Dette er normalt og angiver ikke et problem. For at lette køling af batteripakken efter brug, undgå at placere opladeren eller batteripakken i varme omgivelser, som f.eks. i et metalskur eller i en uisoleret trailer.
- Hvis batteripakken ikke oplades ordentligt:
 - Kontroller kontaktens funktion ved at tilslutte en lampe eller et andet apparat;
 - Kontrollér for at se om kontakten er tilsluttet til en lyskontakt, som slår strømmen fra, når du slukker for lyset;
 - Flyt opladeren og batteripakken til et sted, hvor den omgivende lufttemperatur er ca. 18 °C – 24 °C;
 - Hvis der stadig er opladningsproblemer, tag værktøjet, batteripakken og opladeren til dit lokale servicecenter.
- Batteripakken skal genoplades, når den ikke giver tilstrækkelig strøm til de opgaver, som tidligere let blev udført. FORTSÆT IKKE med at bruge den under disse forhold. Følg opladningsproceduren. Du kan også oplade en delvist brugt pakke, når du ønsker det uden nogen negativ indflydelse på batteripakken.
- Fremmede materialer af en ledende art som for eksempel, men ikke begrænset til slibestøv, metalspån, ståluld, aluminiumsfolie eller anden koncentration af metalliske partikler skal holdes på afstand af opladerens huller. Tag stikket til opladeren ud før forsøg på at rengøre den.
- Frys ikke eller nedsænk opladeren i vand eller andre væsker.

Isætning og udtagning af batteriet (fig. C, D)

- Anbring batteriet (8) ud for værktøjets fatning (7) for at isætte batteriet. Lad batteriet glide ind i fatningen, og skub, indtil batteriet går på plads.
- Tryk på udløserknappen (8a), og træk samtidigt batteriet ud af fatningen for at tage batteriet ud.

Samling

Advarsel! Før montering skal det sikres, at værktøjet er slukket, og at batteriet er fjernet.

Montering og afmontering af beskyttelsesskærmen (fig. E, F, G)

Værktøjet leveres med en skærm, der kun er beregnet til slibeopgaver (type 27). Hvis apparatet skal bruges til afskæring, skal der monteres en særlig skærm til denne type arbejde (type 41). Der kan fås en passende skærm, reservedelsnummer 1004702-44 (til 125mm skæreskive), hos BLACK+DECKER servicefilialen.

- Anbring værktøjet på et bord med spindlen (11) opad.
- Lås fastgørelseslåsen op, og hold afskærmningen over værktøjet som vist i figur E.
- Ret tapperne (5a) til ift. indhakkene (10) som vist i figur F.
- Tryk afskærmningen ned, og drej den mod uret til den ønskede position som vist i figur G.
- Spænd skærmens låseskrue fast for at sikre skærmen på værktøjet.
- Spænd om nødvendigt skruen for at øge tilspændingskraften.

Afmontering

- Løsn skærmens låseskrue.
- Drej skærmen med uret for at rette tapperne (5a) til ift. indhakkene (10).
- Tag skærmen af værktøjet.

Advarsel! Brug aldrig værktøjet uden monteret skærm.

Montering af sidehåndtaget

- Skru sidehåndtaget (3) ind i et af værktøjets monteringshuller.

Advarsel! Brug altid sidehåndtaget.

Påsætning og aftagning af slibeskiver, skæreskiver eller pudsepuder (fig. H, I, J, K, L)

Anvend altid den korrekte type skive til opgaven. Brug altid skiver med korrekt diameter og hulstørrelse (se tekniske data).

Montering

- Monter skærmen på som beskrevet ovenfor.
- Placér den indvendige flange (12) på spindlen (11) som vist i figur. H. Sørg for, at flangen er placeret korrekt på spindlens flade sider.

- Placér skiven (6) på spindlen (11) som vist i figur H. Hvis skiven har en hævet midte, skal du sørge for, at den hævede midte vender mod den indvendige flange.
- Sørg for, at skiverne placeres korrekt på den indvendige flange.
- Placér den udvendige flange (14) på spindlen. Ved påsætning af en slibeskive skal den forhøjede midte på den udvendige flange vende mod skiven (A i fig. I). Ved påsætning af en skæreskive skal den forhøjede midte på den udvendige flange vende væk fra skiven (B i fig. I).
- Hold spindellåsen (4) trykket ned, og spænd den udvendige flange fast vha. skruenøglen (16) (fig. J).

Afmontering

- Hold spindellåsen (4) trykket ned, og løsn den udvendige flange (14) vha. skruenøglen (16) (fig. J).
- Fjern den udvendige flange (14) og skiven (6).

Overfladeslibning med slibeskiver

- Lad værktøjet opnå fuld hastighed, inden det kommer i kontakt med arbejdsemnets overflade.
- Anvend minimum tryk mod arbejdsemnets overflade, og lad værktøjet køre ved høj hastighed. Slibehastigheden er højest, når værktøjet kører med høj hastighed.
- Oprethold en vinkel på 20° til 30° mellem værktøjet og arbejdsemnets overflade som vist i fig. L.
- Bevæg hele tiden værktøjet i en fremadrettet og en bagudrettet bevægelse for at undgå rilleskæring i arbejdsemnets overflade.
- Fjern værktøjet fra arbejdsoverfladen, før du slukker for værktøjet. Lad værktøjet holde helt op med at dreje, før du lægger det fra dig.

Kantslibning med slibeskiver

- Skiver, der anvendes til skæring og kantslibning, kan gå itu eller slå tilbage, hvis de bliver bøjet eller vredet, mens værktøjet anvendes til afskæring eller dybdeslibning. Kantslibning/skæring med skivetype 27 skal begrænses til flad skæring og indkærvning, med en dybde på mindre end 13 mm, når skiven er ny. Reducér dybden af skæringen/indkærvningen i overensstemmelse med reduktionen af skiveradius ved slid. Se 'Oversigt over slibe- og skæretilbehør' i slutningen af denne vejledning mhp. yderligere oplysninger. Kantslibning/skæring med skivetype 41 kræver skærmtypen 41.
- Lad værktøjet opnå fuld hastighed, inden det kommer i kontakt med arbejdsemnets overflade.
 - Anvend minimum tryk mod arbejdsemnets overflade, og lad værktøjet køre ved høj hastighed. Slibehastigheden er højest, når værktøjet kører med høj hastighed.
 - Anbring dig selv, så den åbne underside med skiven vender væk fra dig.
 - Når du har startet på en skæring, og du har skåret et indhak i arbejdsemnet, skal du ikke ændre vinklen på

snittet. Ændring af vinklen kan forårsage at skiven bøjer, hvilket kan medføre skiven går i stykker. Kantslibeskiver er ikke konstrueret til at modstå de sidetryk, som bøjning kan frembringe.

- Fjern værktøjet fra arbejdsemnets overflade, før du slukker for værktøjet. Lad værktøjet holde helt op med at dreje, før du lægger det fra dig.

Advarsel! Anvend ikke kantslibnings-/skæringsskiver til overfladeslibningsopgaver, hvis skivemærket har forbudt sådan brug, fordi disse skiver ikke er konstrueret til de sidetryk, som opstår med overfladeslibning. Dette kan medføre at skiven går i stykker samt kvæstelser.

På- og afmontering af slibeskiver (fig. K)

Til slibning er en underpude påkrævet. Underpuden fås hos din BLACK+DECKER forhandler som tilbehør.

Montering

- Placér den indvendige flange (12) på spindlen (11) som vist (fig. K). Sørg for, at flangen er placeret korrekt på spindlens flade sider.
- Placér underpuden (18) på spindlen.
- Placér slibeskiven (19) på underpuden.
- Placér den udvendige flange (14) på spindlen med den forhøjede midte væk fra skiven.
- Hold spindellåsen (4) trykket ned, og spænd den udvendige flange fast vha. skruenøglen (16) (fig. J). Sørg for, at den udvendige flange er placeret korrekt, og at skiven er solidt fastgjort.

Afmontering

- Hold spindellåsen (4) trykket ned, og løsn den udvendige flange (14) vha. skruenøglen (16) (fig. J).
- Fjern den udvendige flange (14), slibeskiven (19) og underpuden (18).

Overfladebehandling med slibeskiver

- Lad værktøjet opnå fuld hastighed, inden det kommer i kontakt med arbejdsemnets overflade.
- Anvend minimum tryk mod arbejdsemnets overflade og lad værktøjet køre ved høj hastighed. Slibehastigheden er højest, når værktøjet kører med høj hastighed.
- Oprethold en vinkel på 5° til 10° mellem værktøjet og arbejdsemnets overflade som vist i fig. M.
- Bevæg hele tiden værktøjet i en fremadrettet og en bagudrettet bevægelse for at undgå rilleskæring i arbejdsemnets overflade.
- Fjern værktøjet fra arbejdsoverfladen, før du slukker for værktøjet. Lad værktøjet holde helt op med at dreje, før du lægger det fra dig.

Anvendelse af underpuder til slibning

Vælg altid slibeskiver med korrekt korntørrelse til din opgave. Slibeskiver fås i forskellige korntørrelser. Grove korntørrelser sliber hurtigere materialet væk og slibningen er grov. Finere korntørrelser sliber langsommere materialet væk og slibningen er mere jævn. Start med skiver med grov korntørrelse til hurtigt, grov fjernelse af materiale. Arbejd videre med et medium korntørrelsespapir og afslut med en fin korntørrelsesskive for at opnå en optimal bearbejdning.

- ◆ Korntørrelse grov 16 - 30.
- ◆ Korntørrelse middel 36 - 80.
- ◆ Korntørrelse fin 100 - 120.
- ◆ Korntørrelse meget fin 150 - 180.
- ◆ Lad værktøjet opnå fuld hastighed, inden det kommer i berøring med arbejdsemnets overflade.
- ◆ Anvend minimum tryk mod arbejdsemnets overflade og lad værktøjet køre ved høj hastighed. Slibehastigheden er højest, når værktøjet kører med høj hastighed.
- ◆ Oprethold en vinkel på 5° til 10° mellem værktøjet og arbejdsemnets overflade som vist i fig. N. Slibeskiven bør komme i berøring med ca. 25mm af arbejdsemnets overflade.
- ◆ Bevæg hele tiden værktøjet i en lige linje for at forhindre afbrænding og hvirvler på arbejdsemnets overflade. Hvis du lader værktøjet hvile på arbejdsemnets overflade uden at bevæge det, eller flytter det i en cirkulær bevægelse, kan det forårsage brænde- og hvirvelmærker på arbejdsoverfladen.
- ◆ Fjern værktøjet fra arbejdsemnets overflade, før du slukker for værktøjet. Lad værktøjet holde helt op med at dreje, før du lægger det fra dig.

Forholdsregler ved slibning af maling

- ◆ Slibning af blybaseret maling **ANBEFALES IKKE** på grund af vanskeligheden ved at styre det forurenede støv. Børn og gravide kvinder er udsat for den største risiko for blyforgiftning.
- ◆ Da det kan være vanskeligt at finde ud af, hvorvidt en maling indeholder bly uden en kemisk analyse, anbefaler vi følgende forholdsregler ved slibning af alle malinger:
 - ◆ Ingen børn eller gravide kvinder må opholde sig i arbejdsområdet, når der foretages slibning af maling, før al rengøring er afsluttet.
 - ◆ Alle personer, som kommer i nærheden af arbejdsområdet, skal bære en støvmaske eller en respirator. Filteret skal udskiftes dagligt, eller når bæreren af masken har svært ved at trække vejret.

Bemærk: Du bør udelukkende anvende støvmasker, der er beregnet til arbejde med blybaseret malingsstøv og dampe. Almindelige malingsmasker har ikke denne beskyttelse. Kontakt din lokale hardwareforhandler for korrekt godkendt maske.

- ◆ Der bør IKKE SPISES, DRIKES eller RYGES i arbejdsområdet for at undgå at indtage forurenede malingspartikler. Arbejdere skal vaske sig og rydde op, FØR de spiser, drikker eller ryger. Der må ikke efterlades føde-, drikke- eller rygevarer i arbejdsområdet, hvor der kan falde støv på dem.
- ◆ Maling skal fjernes på en sådan måde, at mængden af genereret støv minimeres.
- ◆ Områder, hvor der skal fjernes maling, skal forsegles med plastfolie på 4 mils tykkelse.
- ◆ Slibning skal foregå på en sådan måde, at malingsstøv uden for arbejdsområdet reduceres.
- ◆ Alle overflader i arbejdsområdet skal støvsuges og rengøres grundigt hver dag, mens slibningen foregår. Støvsugerfilterposer skal hyppigt udskiftes.
- ◆ Plastikklude skal samles sammen og bortskaffes sammen med alle støvspåner eller andre restmaterialer. De skal anbringes i forseglede affaldsbeholdere og bortskaffes vha. gængse procedurer for bortskaffelse af affald. Under rengøring skal børn og gravide kvinder holdes på afstand af arbejdsområdet.
- ◆ Al legetøj, vaskbare møbler og redskaber, der bruges af børn, skal vaskes omhyggeligt, før de bruges igen.

Montering og anvendelse af kopbørster og tallerkenbørster

Stålkopbørster eller stålhjul skrues direkte på den slibespindlen uden brug af flanger. Beskyttelseskærmen type 27 skal bruges, når du anvender stålbørster og -hjul. Bær arbejdshandsker, når du arbejder med stålbørster og -hjul. De kan blive skarpe. Skiven eller børsten må ikke komme i berøring med beskyttelseskærmen, når den er monteret eller er i brug.

Dette kan forårsage usynlig beskadigelse af tilbehøret og tråde kan afrives fra tilbehørsskive eller -kop.

- ◆ Sæt skiven på spindlen med hånden.
- ◆ Tryk spindellåseknappen ned og anvend en skruenøgle på navet for tallerkenbørsten eller kopbørsten til at spænde skiven.
- ◆ Anvend proceduren i omvendt rækkefølge, når skiven skal fjernes.

Advarsel! Hvis du undlader at sætte skivenavet korrekt på, før værktøjet drejes, kan værktøjet eller skiven blive beskadiget.

Tallerkenbørster og kopbørster kan bruges til at fjerne rust, afskalninger og maling og til glatning af ujævne overflader.

Bemærk: Der skal træffes de samme forholdsregler ved trådbørstning af maling som ved slibning af maling.

- ◆ Lad værktøjet opnå fuld hastighed, inden det kommer i kontakt med arbejdsemnets overflade.
- ◆ Anvend minimum tryk mod arbejdsemnets overflade og lad værktøjet køre ved høj hastighed. Hastigheden ved

fjernelse af maling er højest, når værktøjet kører med høj hastighed.

- ◆ Oprethold en vinkel på 5° til 10° mellem værktøjet og arbejdsemnets overflade ved kopbørster som vist i figur O.
- ◆ Oprethold kontakt mellem skivens kant og arbejdsemnets overflade ved tallerkenbørster.
- ◆ Bevæg hele tiden værktøjet i en fremadrettet og en bagudrettet bevægelse for at undgå rilleskæring i arbejdsemnets overflade. Hvis du lader værktøjet hvile på arbejdsemnets overflade uden at bevæge det, eller flytter det i en cirkulær bevægelse, kan det forårsage brænde- og hvirvelmærker på arbejdsoverfladen.
- ◆ Fjern værktøjet fra arbejdsemnets overflade, før du slukker for værktøjet. Lad værktøjet holde helt op med at dreje, før du lægger det fra dig.

Advarsel! Vær ekstra omhyggelig, når du arbejder over et kant, da du kan komme ud for en hurtig bevægelse fra slibemaskinen.

Montering og anvendelse af skæreskiver (type 41)

Skæreskiver omfatter diamantskiver og slibeskiver. Der findes slibeskæreskiver til metal og beton. Diamantklinger til skæring i beton kan også anvendes.

BEMÆRK: A lukket, 2-sidet skæreskiveskærm, type 41, kan fås separat og er påkrævet, når der anvendes skæreskiver. Hvis du ikke bruger korrekt flange og beskyttelseskærm, kan det forårsage kvæstelser på grund af beskadigelse af skiven og skivekontakt.

Der skal anvendes støtteflange med passende diameter og klemmemøtrik med gevind (vedlagt sammen med værktøjet) til skæreskiver.

Montering af skæreskiver

- ◆ Anbring støtteflangen uden gevind på spindlen med den forhøjede del (pilot) vendt opad. Den forhøjede del (pilot) på støtteflangen vil vende imod hjulet, når hjulet er installeret.
- ◆ Anbring skiven på støtteflangen og centrér skiven på den forhøjede del (pilot).
- ◆ Monter gevindklemmemøtrikken med den forhøjede del (pilot) vendt væk fra skiven.
- ◆ Tryk spindellåseknappen ned, og spænd klemmemøtrikken fast med den medleverede skruenøgle (16).
- ◆ Tryk på spindellåseknappen og løsn gevindklemmemøtrikken med den medleverede skruenøgle.

Advarsel! Anvend ikke kantslibnings-/skæringsskiver til overfladeslibningsopgaver, fordi disse skiver ikke er konstrueret til de sidetryk, som opstår med overfladeslibning. Dette kan beskadige skiven og forårsage kvæstelser.

- ◆ Lad værktøjet opnå fuld hastighed, inden det kommer i kontakt med fladen, som skal bearbejdes.

- ◆ Anvend minimum tryk fladen, som skal bearbejdes, og lad værktøjet køre ved høj hastighed. Skærehastigheden er højest, når værktøjet kører med høj hastighed.
- ◆ Når du har startet på en skæring, og du har skåret et indhak i arbejdsemnet, skal du ikke ændring vinklen på snittet. Ændring af vinklen kan forårsage at skiven bøjer, hvilket kan medføre skiven går i stykker.
- ◆ Fjern værktøjet fra arbejdsoverfladen, før du slukker for værktøjet. Lad værktøjet holde helt op med at dreje, før du lægger det fra dig.

Anvendelse

Advarsel! Lad værktøjet arbejde i dets eget tempo. Det må ikke overbelastes.

- ◆ Vær forberedt på, at der kommer stråler af gnister, når slibe- eller skæreskiven berører arbejdsemnet.
- ◆ Placér altid værktøjet på en sådan måde, at skærmen sørger for optimal beskyttelse mod slibe- eller skæreskiven.

Sådan tændes og slukkes værktøjet

- ◆ Tænd værktøjet ved at skubbe låseknappen (2) fremad.
 - ◆ Sluk for værktøjet ved at skubbe låseknappen (2) tilbage.
- Advarsel!** Sluk ikke værktøjet, mens det er under belastning.
- Advarsel!** Aktiver altid låsning, når værktøjet ikke bruges.

Gode råd mhp. optimal brug

- ◆ Hold godt fast i værktøjet med den ene hånd omkring sidehåndtaget og den anden hånd omkring hovedhåndtaget.
- ◆ Ved slibning skal der altid bibeholdes en vinkel på ca. 20° - 30° mellem skiven og arbejdsemnets overflade.

Vedligeholdelse


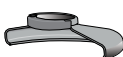

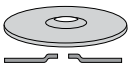


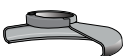




Dit BLACK+DECKER-apparat/værktøj med eller uden ledning er beregnet til brug gennem lang tid med et minimum af vedligeholdelse. Vedvarende tilfredsstillende funktion er afhængig af, om apparatet plejes korrekt og rengøres regelmæssigt.

Advarsel! Før udførelse af nogen form for vedligeholdelse på el værktøj med/uden ledning:

- ◆ Sluk og tag apparatets/værktøjets stik ud af stikkontakten.
- ◆ Eller sluk, og fjern batteriet fra apparatet/værktøjet, hvis det har en separat batteripakke.
- ◆ Eller aflad batteriet helt, hvis det er indbygget, og sluk derefter.
- ◆ Træk opladeren ud af stikkontakten, før den rengøres. Opladeren kræver ingen vedligeholdelse, men skal rengøres jævnligt.
- ◆ Rengør jævnligt apparatets/værktøjets/laderens ventilationshuller med en blød børste eller en tør klud.

- ◆ Rengør med jævne mellemrum motorhuset med en fugtig klud. Der må ikke bruges skuremidler eller opløsningsmidler.

Oversigt over slibe- og skæretilbehør

Slibehjul	
	
Skærmtype 27	Skærmtype 27
	
Støtteflange uden gevind	
	
Skivetype 27 med forsænket midterdel	Skivetype 27 med nav
	
Gevindklemmemøtrik	
Slibeskiver med flapper	
	
Skærmtype 27	Skærmtype 27
	
Slibeskiver med flapper	slibeskiver med flapper uden nav
	
	Gevindklemmemøtrik

Skæreskive, type 41	
	
Skærmtype 41	Skærmtype 41
	
Støtteflange	Støtteflange
	
Slibeskæreskive	Diamantskæreskive
	
Klemmemøtrik	Klemmemøtrik
Tallerkenbørste	
	
Skærmtype 27	Skærmtype 27
	
Kopbørste 3"	Kopbørste 4"
Slibeskiver	
	
Gummiunderpude	
	
Slibeskive	
	
Gevindklemmemøtrik	

Miljøbeskyttelse



Særskilt bortskaffelse. Produkter og batterier mærket med dette symbol må ikke bortskaffes sammen med normalt husholdningsaffald.

Produkter og batterier indeholder materialer, der kan genvindes eller genbruges og således reducere efterspørgslen efter råvarer.

Genbrug venligst elektriske produkter og batterier i henhold til lokale bestemmelser. Yderligere informationer findes på www.2helpU.com

Tekniske data

		BCG720 M1	BCG720 N
Indgangsspænding	V _{DC}	18	18
Nominal hastighed (Uden belastning)	min ⁻¹	8600	8600
Skivehul	mm	22	22
Maks. skivetykkelse			
Slibeskiver	mm	6	6
Skæreskiver	mm	3.5	3.5
Spindelstørrelse		M14	M14
Vægt	kg	2,1 minus batteri og skive	2,1 minus batteri og skive
Batteri		BL4018	Bar enhed (medfølger ikke)
Spænding	V _{DC}	18	
Kapacitet	Ah	4.0	
Type		Li-Ion	
Oplader		9059995*	Bar enhed (medfølger ikke)
Indgangsspænding	V _{AC}	230	
Udgangsspænding	V _{DC}	18	
Strømstyrke	A	1.0	
Ladetid ca	Hours	4	

Lydtrykniveau i henhold til EN 60745:

Lydtryk (L_{pa}): 76dB(A), usikkerhed (K) 4dB(A)

lydeffekt (L_{wa}): 87dB(A), usikkerhed (K) 4dB(A)

Samlede værdier for vibration (triaksial vektorsum) i henhold til EN 60745:

Overfladeslibning (a_{h,ISO}): 7,3m/s², K=1,5m/s².
 Skiveslibning (a_{h,ISO}): 1,9m/s², K=1,5m/s².
 Polering (a_{h,ISO}): 8,6m/s², K=2,4m/s².
 Trådbørstning (a_{h,ISO}): 3,8m/s², K=1,5m/s².
 Afskæring (a_{h,ISO}): 4,0m/s², K=1,5m/s².

EU-overensstemmelseserklæring

MASKINDIREKTIV



BCG720 vinkelsliber

Black & Decker erklærer, at produkterne beskrevet under "Tekniske data" er i overensstemmelse med: 2006/42/EC, EN 60745-1:2009 + A11:2010; EN 60745-2-3:2011 + A2:2013 + A11:2014 + A12:2014 + A13:2015

Disse produkter er endvidere i overensstemmelse med direktiv 2014/30/EU og 2011/65/EU.

Kontakt Black & Decker på nedenstående adresse eller se vejledningens bagside for at få yderligere oplysninger.

Undertegnede er ansvarlig for udarbejdelsen af de tekniske data og fremsætter denne erklæring på vegne af Black & Decker.

R. Laverick
 Director of Engineering
 Black & Decker Europe, 210 Bath Road, Slough,
 Berkshire, SL1 3YD
 Storbritannien
 10/01/2018

Garanti

Black & Decker er overbevist om den gode kvalitet af sine produkter og giver forbrugerne en garanti på 24 måneder fra købsdatoen. Garantien er et tillæg til forbrugernes lovmæssige rettigheder og påvirker ikke disse. Garantien er gyldig inden for medlemsstaterne af Den Europæiske Union og Det Europæiske Frihandelsområde.

Når du gør krav på garantien, skal kravet være i overensstemmelse med Black & Decker vilkår og betingelser, og du skal indsende dokumentation for købet til sælgeren eller til en autoriseret reparatør. Vilkår og betingelser for Black & Decker 2 års garanti og placeringen af dit nærmeste autoriserede serviceværksted kan fås på internettet på www.2helpU.com, eller ved at kontakte dit lokale Black & Decker kontor på den adresse, der er angivet i denne vejledning.

Besøg venligst vores websted www.blackanddecker.co.uk for at registrere dit nye Black & Decker produkt og modtage opdateringer om nye produkter og specielle tilbud.

Käyttötarkoitus

BLACK+DECKER BCG720 M1, BCG720 N -kulmahiomakone on tarkoitettu metallin ja betonin hiomiseen ja leikkaamiseen sopivaa leikkausterää tai hiomalaikkaa sekä asianmukaista suojusta käyttäen. Tämä työkalu on tarkoitettu vain yksityiskäyttöön.

Turvallisuusohjeet

Sähkötyökalujen yleiset turvavaroitukset



Varoitus! Lue kaikki turvallisuusvaroitukset ja ohjeet. Alla olevien varoitusten ja ohjeiden noudattamisen laiminlyönti saattaa johtaa sähköiskuuun, tulipaloon ja/tai vakavaan loukkaantumiseen.

Säästä kaikki varoitukset ja ohjeet tulevaa käyttöä varten.

Ohjeissa käytetty käsite "sähkötyökalu" tarkoittaa verkkokäyttöisiä sähkötyökaluja (verkkojohdolla varustettuja) ja akkukäyttöisiä sähkötyökaluja (ilman verkkojohtoa).

1. Työalueen turvallisuus

- Pidä työalue puhtaana ja hyvin valaistuna.** Onnettomuuksia sattuu herkemmin epäsiistissä tai huonosti valaistussa ympäristössä.
- Älä käytä sähkötyökalua räjähdysalttiissa ympäristössä, jossa on syttyvää nestettä, kaasua tai pölyä.** Sähkötyökalujen aiheuttamat kipinät voivat sytyttää pölyn tai kaasut.
- Pidä lapset ja sivulliset loitolla sähkötyökalua käyttäessäsi.** Keskitymiskyvyn herpaantuminen voi aiheuttaa hallinnan menettämisen.

2. Sähköturvallisuus

- Sähkötyökalun pistokkeen on sovittava pistorasiaan. Älä koskaan tee pistokkeeseen mitään muutoksia. Älä yhdistä maadoitettua sähkötyökalua jatkojohtoon.** Sähköiskun vaara vähenee, jos pistokkeisiin ei tehdä muutoksia ja ne yhdistetään vain niille tarkoitettuihin pistorasioihin.
- Vältä koskettamasta maadoitettuja pintoja, kuten putkia, lämpöpattereita, liesiä tai jääkaappeja.** Voit saada sähköiskun, jos kehosi on maadoitettu.
- Älä altista sähkötyökalua sateelle tai kosteudelle.** Sähkötyökaluun menevä vesi lisää sähköiskun vaaraa.
- Älä käsittele virtajohtoa kovakouraisesti. Älä kannata työkaluja sähköjohdosta tai vedä pistoketta pistorasiasta sähköjohdon avulla. Pidä sähköjohto kaukana kuumuudesta, öljystä, terävistä reunoista tai liikkuvista osista.** Vaurioituneet tai sokeutuneet johdot lisäävät sähköiskun vaaraa.

- Käyttäessäsi sähkötyökalua ulkona käytä ainoastaan ulkokäyttöön soveltuvaa jatkojohtoa.** Ulkokäyttöön tarkoitettun sähköjohdon käyttäminen vähentää sähköiskun vaaraa.
- Jos sähkötyökalua on välttämättä käytettävä kosteassa paikassa, käytä vikavirtasuojalla (RCD) suojattua virtälähdettä.** Tämä vähentää sähköiskun vaaraa.

3. Henkilöturvallisuus

- Ole valpas, keskity työhön ja noudata tervettä järkeä sähkötyökalun käytössä. Älä käytä tätä työkalua ollessasi väsynyt tai alkoholin, huumeiden tai lääkkeiden vaikutuksen alaisena.** Keskitymisen herpaantuminen hetkeksikin sähkötyökalua käytettäessä voi aiheuttaa vakavan henkilövahingon.
- Käytä henkilökohtaisia suojavarusteita. Käytä aina suojalaseja.** Hengityssuojaimen, liukumattomien turvajalkineiden, kypärän ja kuulonsuojaimen käyttäminen vähentää henkilövahinkojen vaaraa.
- Vältä tahatonta käynnistämistä. Varmista, että kytkin on OFF-asennossa, ennen kuin liität laitteen virtalähteeseen ja/tai akkuun, nostat laitteen tai kannat sitä.** Sähkötyökalun kantaminen sormi virtakytkimellä lisää onnettomuusvaaraa.
- Irrota mahdollinen säätö- tai kiintoavain ennen kuin käynnistät sähkötyökalun.** Sähkötyökalun pyöriivään osaan kiinni jäänyt avain voi johtaa loukkaantumiseen.
- Älä kurkota. Huolehdi siitä, että sinulla on koko ajan tukeva jalansija ja hyvä tasapaino.** Näin voit hallita sähkötyökalua paremmin odottamattomissa tilanteissa.
- Käytä tarkoitukseen soveltuvia vaatteita. Älä käytä löysiä vaatteita tai koruja. Pidä hiukset, vaatteet ja kädet loitolla liikkuvista osista.** Löysät vaatteet, korut tai pitkät hiukset voivat tarttua liikkuviin osiin.
- Jos työkalun voi liittää polynimuriiniin, tarkista, että liitos on tehty asianmukaisesti ja että laitteita käytetään oikealla tavalla.** Pölyn ottaminen talteen voi vähentää pölyn aiheuttamia vaaroja.
- Vaikka käyttäisit usein työkaluja ja sinulla olisi niistä hyvä tuntemus, älä jätä lukematta työkalun turvallisuusohjeita.** Huolimattomuus voi johtaa vakaviin henkilövahinkoihin jopa sekunnin murto-osassa.

4. Sähkötyökalujen käyttö ja hoito

- Älä ylikuormita sähkötyökalua. Valitse käyttötarkoituksen kannalta oikea sähkötyökalu.** Sähkötyökalu toimii paremmin ja turvallisemmin, kun sitä käytetään sille suunniteltuun käyttötarkoitukseen.
- Älä käytä sähkötyökalua, jota ei voida käynnistää ja pysäyttää virtakytkimestä.** Jos sähkötyökalua ei voi hallita kytkimen avulla, se on vaarallinen ja se on korjattava.

- Irrota pistotulppa pistorasiasta ja/tai akku laitteesta ennen kuin suoritat säätöjä, vaihdat tarvikkeita tai siirrä sähkötyökalun varastoitavaksi.** Näin voit vähentää vahingossa käynnistymisen aiheuttaman henkilövahingon vaaraa.
- Säilytä sähkötyökalut poissa lasten ulottuvilta, kun niitä ei käytetä. Älä anna sähkötyökalua sellaisen henkilön käyttöön, joka ei tunne sitä tai joka ei ole tutustunut tähän käyttöohjeeseen.** Sähkötyökalut ovat vaarallisia kouluttamattomien käyttäjien käsissä.
- Hoida sähkötyökalusi huolella. Tarkista, että liikkuvat osat toimivat moitteettomasti ja etteivät ne ole puristuksessa. Tarkista myös, ettei työkalussa ei ole murtuneita tai vahingoittuneita osia, jotka saattaisivat vaikuttaa haitallisesti sen toimintaan. Jos havaitset vaurioita, korjauta sähkötyökalu ennen niiden käyttämistä.** Huonosti kunnossapidetyt sähkötyökalut aiheuttavat onnettomuuksia.
- Pidä leikkausterät terävinä ja puhtaina.** Kunnossa pidettyjen leikkaavien teräviä reunoja sisältävien työkalut todennäköisyyden jumiutua vähenee, ja niitä on helpompi hallita.
- Käytä sähkötyökaluja, tarvikkeita, vaihtoteriä yms. näiden ohjeiden mukaisesti. Ota tällöin huomioon työolosuhteet ja suoritettava toimenpide.** Jos sähkötyökalua käytetään näiden ohjeiden vastaisesti, voi syntyä vaaratilanne.
- Pidä kahvat ja kädensijat kuivina ja puhtaina öljystä ja rasvasta.** Liukkaat kahvat ja kädensijat estävät työkalun turvallisen käsittelyn ja hallinnan odottamattomissa tilanteissa.

5. Akkutyökalun käyttö ja huolto

- Lataa akku vain valmistajan määrittelemällä laturilla.** Laturi, joka on sopiva yhden tyyppiselle akulle, voi aiheuttaa tulipalon vaaran, jos sitä käytetään toisen tyyppisellä akulla.
- Käytä sähkötyökalussa ainoastaan kyseiseen sähkötyökaluun tarkoitettua akkua.** Muun tyyppisen akun käyttö saattaa johtaa loukkaantumiseen ja tulipaloon.
- Pidä irrallinen akku loitolla metalliesineistä, kuten paperiliittimistä, kolikoista, avaimista, nauloista, ruuveista tai muista pienistä metalliesineistä, jotka voivat aiheuttaa oikosulun akun navoissa.** Kennon pinteiden oikosulku voi aiheuttaa palovammoja tai tulipalon.
- Väärin käytetystä akusta voi vuotaa nestettä. Älä kosketa sitä. Jos nesteen kanssa joutuu kosketuksiin, huuhtelee vedellä. Jos nestettä joutuu silmiin, hakeudu lisäksi lääkärin hoitoon.** Akusta roiskunut neste saattaa aiheuttaa ärsytystä tai palovammoja.
- Akkua tai työkalua ei saa käyttää, jos siinä on vaurioita tai sitä on muunneltu.** Vaurioituneet tai

- muunnellut akut voivat johtaa odottamattomiin tilanteisiin ja vaarana ovat tulipalo, räjähdys ja henkilövahingot.**
- Suojaa akku ja työkalu tulelta ja liian korkeilta lämpötiloilta.** Se voi räjähtää yli 130 °C lämpötilassa.
- Noudata kaikkia latausohjeita. Akkua tai työkalua ei saa ladata ohjeissa määritetystä lämpötilavälisestä poikkeavassa lämpötilassa.** Jos akku ladataan virheellisesti tai määritetystä lämpötilavälisestä poikkeavassa lämpötilassa, seurauksena voi olla akun vaurioituminen ja tulipalovaara.

6. Huolto

- Korjauta sähkötyökalu koulutetulla ja ammattitaitoisella henkilöllä ja hyväksy korjauksiin vain alkuperäisiä varaosia.** Tämä varmistaa sähkötyökalun turvallisuuden.
- Älä koskaan huolla vaurioituneita akkuja.** Ainoastaan valmistaja tai valtuutetut huoltoliikkeet saavat huoltaa akkuja.

Sähkötyökalujen lisäturvavaroitukset



Varoitus! Hiomisen, teräsharjaamisen, kiillotuksen tai hankaavien leikkaustoimintojen lisäturvallisuusvaroitukset:

- ◆ **Tämä sähkötyökalu on tarkoitettu hiontaan, lankaharjaukseen, kiillotukseen ja laikkakatkaisuun.** Lue kaikki tämän sähkötyökalun mukana toimitetut varoitukset, käyttöohjeet ja tekniset tiedot. Jos kaikkia ohjeita ei noudateta, on olemassa sähköiskun, tulipalon ja/tai vakavan henkilövahingon vaara.
- ◆ **Jos sähkötyökalua käytetään tarkoitukseen, johon sitä ei ole suunniteltu, voi aiheutua vaaratilanne ja henkilövahinko.**
- ◆ **Älä käytä varaosia tai varusteita, joita valmistaja ei suosittele tai ole hyväksynyt.** Varusteen käyttäminen ei ole turvallista vain siksi, että se voidaan yhdistää sähkötyökaluun.
- ◆ **Varusteen nimellinopeuden tulee olla vähintään sama kuin sähkötyökaluun merkityn enimmäisnopeuden.** Jos varusteita käytetään niiden nimellinopeutta suuremmalla nopeudella, ne voivat särkyä ja niistä voi lentää kappaleita.
- ◆ **Lisävarusteen ulkohalkaisijan ja pakisuuden tulee olla tämän sähkötyökalun nimelliskapasiteetin rajoissa.** Väärin kokoisia lisävarusteita ei voi suojata tai hallita vaaditulla tavalla.
- ◆ **Lisävarusteiden kierteisen kiinnitysosan on sovittava hiomakoneen karan kierteisiin. Laippojen avulla asennettujen lisävarusteiden kohdalla lisävarusteen kiinnitysreiän on sovittava laipan sijoituskohdan halkaisijaan.** Jos varustetta ei voi kiinnittää

sähkötyökaluun kunnolla, voi aiheutua epätasapaino ja voit menettää työkalun hallinnan tärinän vuoksi.

- ◆ **Älä käytä vahingoittuneita lisävarusteita. Ennen käyttämistä tarkista, ettei tarvitse, esimerkiksi sen hiomalaikoissa tai taustalevyssä, ole halkeamia, repeämiä tai kulumia ja että teräslankaharjassa ole irrallisia tai katkenneita harjaksia. Jos sähkötyökalu putoaa, tarkista, onko siihen tullut vaurioita ja vaihda vaurioitunut osa. Kun lisävaruste on tarkastettu ja asennettu, käytä sähkötyökalu suurimmalla mahdollisella kuormittamattomalla nopeudella yhden minuutin ajan. Vaurioitunut varuste tavallisesti särkyvät tämän testausajan kuluessa.**
- ◆ **Käytä henkilösuojaimia. Käytä kasvosuojusta tai turvalaseja tehtävän työn vaatimusten mukaisesti. Käytä tarvittaessa hengitysuojainta, kuulonsuojaimia, käsineitä ja suojavaatetusta, joka estää lentävien kappaleiden aiheuttamat henkilövahingot.** Turvalasien on pystyttävä estämään lentäviä kappaleita aiheuttamasta henkilövahingoista. Hengitysuojaimen tulee pystyä suodattamaan työssä syntyvät hiukkaset. Pitkäaikainen altistuminen melulle voi heikentää kuuloa.
- ◆ **Pidä sivustakatsojat turvallisen matkan päässä työskentelyalueesta. Työskentelyalueella on käytettävä henkilösuojavarusteita.** Työstettävän kappaleen tai särkyneen varusteen singahtavat osat voivat aiheuttaa henkilövahinkoja.
- ◆ **Jos terä voi osua piilotettuihin sähköjohtoihin tai työkalun omaan sähköjohtoon, tartu vain työkalun eristettyihin tarttumapintoihin.** Jännitteisen johdon leikkaaminen tekee työkalun paljaista metalliosista jännitteisiä, joten käyttäjä voi saada sähköiskun.
- ◆ **Käytä puristimia tai muuta käytännöllistä tapaa kiinnittää ja tukea työkappale tukevalle alustalle.** Työn pitäminen käsin tai vartaloa vasten on epävakaata ja saattaa johtaa kontrollin menetykseen.
- ◆ **Pidä sähköjohto kaukana työkalusta.** Jos menetät työkalun hallinnan, johto voi katketa tai vaurioitua tai työkalu voi osua käteesi.
- ◆ **Laske työkalu alas vasta kun se on täysin pysähtynyt.** Käynnissä oleva työkalu voi osua työtason pintaan, jolloin menetät sen hallinnan.
- ◆ **Älä anna sähkötyökaluun olla käynnissä kantaessasi sitä.** Jos käynnissä oleva sähkötyökalu tarttuu vaatteisiisi, se voi osua kehoosi.
- ◆ **Puhdista sähkötyökaluun ilmanvaihtoaukot säännöllisesti.** Moottorin puhallin vetää pölyä työkalun sisään. Metallipölyn kertyminen voi aiheuttaa sähköiskun vaaran.
- ◆ **Älä käytä sähkötyökaluun helposti syttyvien aineiden läheisyydessä.** Kipinät voivat sytyttää ne.

- ◆ **Älä käytä nestejäähdytystä edellyttäviä varusteita.** Veden tai muun jäähdytysaineen käyttäminen voi aiheuttaa sähköiskun.

Huomautus: Yllä oleva varoitus ei koske sähkötyökaluja, jotka on erityisesti tarkoitettu nestejärjestelmien käyttöön.

Takaisku ja siihen liittyvät varoitukset

Takaisku aiheutuu äkillisesti hiomalaikan, taustalevyn, harjan tai varusteen juuttuessa kiinni. Puristuminen tai tarttuminen aiheuttaa pyörivän lisävarusteen äkillisen pysähtymisen, joka puolestaan aiheuttaa hallitsemattoman työkalun liikkeen lisävarusteen pyörimissuuntaa vastaan tarttumiskohdassa.

Jos esimerkiksi hiomalaikka jää kiinni työstettävään kappaleeseen, laikan reuna voi kaivautua sen pintaan, jolloin hiomalaikka voi nousta pinnalle tai iskeytyä taaksepäin. Laikka voi joko hypätä käyttäjää kohti tai hänestä pois päin, riippuen laikan liikkeen suunnasta tarttumiskohdassa. Tällöin hiomalaikka voi myös rikkoutua.

Takaisku johtuu sähkötyökaluun vääranlaisesta käytöstä ja/tai vääristä työmenetelmistä tai -olosuhteista ja sen voi välttää noudattamalla alla kuvattuja varotoimia.

- ◆ **Pidä luja ote sähkötyökaluista ja aseta vartaloasi käsivartesi siten, että voit torjua takaiskun voiman. Käytä aina apukahvaa, jos sellainen on saatavilla, jotta voisit hallita takaiskua tai käynnistyksen aikaista vääntöreaktiota.** Käyttäjä voi hallita vääntöreaktioita tai takaiskujen voimaa, jos esitetyistä varotoimenpiteistä huolehditaan.
- ◆ **Älä koskaan laita kättäsi pyörivän laikan lähelle.** Se voi aiheuttaa takaiskun.
- ◆ **Älä aseta vartaloasi alueelle, jonne työkalu liikkuu takaiskun voimasta.** Takapotku heittää työkalun laikan liikesuuntaan nähden vastakkaiseen suuntaan tarttumiskohdassa.
- ◆ **Ole erityisen varovainen työstäessäsi kulmia, teräviä reunoja jne. Vältä laikan kimpoamista ja tarttumista.** Nurkat, terävät kulmat tai kimpoaminen voivat aiheuttaa toiminnassa olevan työkalun jäämisen kiinni, jolloin sen hallinta menetetään tai voi aiheutua takaisku.
- ◆ **Älä kiinnitä moottorisahan puunkaiverrusterää tai hammastettua sahanterää työkaluun.** Muutoin aiheutuu helposti takapotku tai hallinnan menetys.

Turvavaroitukset hiontaan ja laikkakatkausuu

- ◆ **Käytä ainoastaan tälle sähkötyökaluille suositeltuja laikkatyyppisiä ja valitulle laikalle erityisesti suunniteltua suojusta.** Jos sähkötyökaluun käytetään laikkoja, joita ei ole tarkoitettu käytettäväksi siinä, niitä ei voi suojata kunnolla, joten ne aiheuttavat vaaran.
- ◆ **Keskikipinaamalla varustettujen laikkojen hiomapinta on asennettava suojakaistaleen tason alapuolelle.**

Virheellisesti asennettua laikkaa, joka näkyy suojakaistaleen tason läpi, ei voida suojata oikeaoppisesti.

- ◆ **Kiinnitä suojus tiukasti työkaluun ja aseta se siten, että se antaa parhaan mahdollisen suojan niin, että mahdollisimman pieni osa laikkaa on paljaana käyttäjään päin.** Suojus estää rikkoutuneiden laikan sirujen sinkoamisen, koskettamisen vahingossa laikkaan ja vaateetukseen syttymisen kipinöiden vuoksi.
- ◆ **Käytä laikkaa ainoastaan sille suunniteltuun tarkoitukseen. Älä esimerkiksi käytä katkaisulaikan reunaa hiontaan.** Hiovat katkaisulaikat on tarkoitettu hiomiseen. Niiden aiheuttamat sivusuuntaiset voimat voivat saada laikan rikkoutumaan.
- ◆ **Käytä aina ehjiä ja oikean kokoisia ja muotoisia, valitulle laikalle sopivia laippoja.** Tällöin laikan rikkoutumisen vaara vähenee. Katkaisulaikat voivat olla erilaisia kuin hiomalaikat.
- ◆ **Älä käytä suurempien sähkötyökaluun kuluneita laikkoja.** Suurempien sähkötyökaluun laikat eivät kestä pienemmän työkalun suurempaa nopeutta, joten ne voivat särkyä.

Lisäturvavaroitukset laikkakatkausuu

- ◆ **Älä jumita katkaisulaikkaa tai paina sitä liian voimakkaasti. Älä yritä leikata liian syväälle.** Laikan voimakas painaminen kasvattaa kuormitusta ja altistaa vääntymiselle tai laipan jumiumiselle leikkauskohtaan, sekä lisää takapotkun ja laikan rikkoutumisen vaaraa.
- ◆ **Älä aseta vartaloasi suoraan linjaan pyörivään laikkaan nähden tai sen taakse.** Kun leikkaava laikka liikkuu pois päin vartalostasi, mahdollinen takaisku voi lennättää pyörivän laikan ja sähkötyökaluun suoraan sinua päin.
- ◆ **Kun laikka on jumiumunut tai leikkaaminen jostakin syystä keskeytyy, katkaise työkalusta virta ja pidä sitä paikallaan, kunnes laikka on kokonaan pysähtynyt. Älä koskaan yritä irrottaa katkaisulaikkaa leikkauskohdasta, kun laikka vielä pyörii, koska se voi aiheuttaa takaiskun.** Selvitä laikan jumiumumiseen johtanut syy ja poista se.
- ◆ **Älä käynnistä leikkaustoimintoa, kun laikka on kiinni työstökappaleessa. Anna laikan saavuttaa täysi nopeus ja aseta se varoen takaisin leikkauskohtaan.** Laikka voi taittua, siirtyä ylös tai iskeytyä takaisin, jos sähkötyökalu käynnistetään uudelleen työkappaleessa.
- ◆ **Tue paneeleja tai kaikkia liian suuria työkappaleita laikan kiinni juuttumisen ja takaisin kiinnittämiseksi.** Suuret työkappaleet pyrkivät taipumaan omasta painostaan. Tuet tulee asettaa työkappaleen alapuolelle leikkauslinjan lähelle ja työkappaleen reunan lähelle laikan molemmalla puolella.
- ◆ **Ole erityisen varovainen, jos teet taskun valmiiseen seinään tai muuhun tummattomaan paikkaan.** Esin

työntävä laikka saattaa leikata kaasui- tai vesiputkia, sähköjohtoja tai esineitä, jotka voivat aiheuttaa takaiskun.

Turvavaroitukset hiontaan

- ◆ **Älä käytä liian suuria hiekkapaperilaikkoja. Noudata hiekkapaperin valinnassa valmistajan antamia suosituksia.** Jos hiomapaperi ulottuu laikan ulkopuolelle, voi aiheutua haavan saamisen, laikan kulumisen tai takaiskun vaara.

Turvavaroitukset kiillotukseen

- ◆ **Älä anna kiillotustyön löysien osien tai sen kiinnitysruujen pyöriä vapaasti. Katkaise tai kiristä liian pitkät kiinnitysruut. Irtonaiset kiinnitysruut voivat tarttua sormiisi tai työstettävään kappaleeseen.**

Turvavaroitukset lankaharjaukseen

- ◆ **Huomioi, että lankaharjaksia irtoaa harjasta myös normaalin käytön aikana.**

Älä rasita kuituja kohdistamalla harjaan suurta voimaa. Harjaket lävistävät kevyet vaatteet ja/tai ihon helposti.

- ◆ **Jos lankaharjaukseen suositellaan suojuksen käyttöä, älä anna teräsharjalaikan tai -harjan törmätä suojukseen.** Teräsharjalaikan tai -harjan halkaisija voi kasvaa käyttökuormituksen tai keskikipakoisvoiman vaikutuksesta.



Varoitus! Hiontatyöstä syntyvä pöly voi aiheuttaa terveyshaittoja käyttäjälle ja mahdollisille sivullisille. Käytä kasvosuojusta, joka on erityisesti tarkoitettu suojaamaan pölyltä ja höyryiltä, ja varmista, että kaikki työskentelyalueella olevat ja sinne tulevat henkilöt käyttävät suojavarusteita.

Muiden henkilöiden turvallisuus

- ◆ Tätä laitetta ei ole tarkoitettu sellaisten henkilöiden käyttöön, joilla on fyysisiä, aistillisia tai henkisiä rajoitteita tai puutteellisen kokemuksen tai tuntemuksen (lapset mukaan lukien), ellei heidän turvallisuudestaan vastuussa oleva henkilö valvo tai ohjaa heitä laitteen käytössä.
- ◆ Lapsia tulee valvoa ja varmistaa, että he eivät leiki laitteella.

Muut riskit

Myös muut kuin turvavaroituksissa mainitut riskit ovat mahdollisia työkalua käytettäessä. Nämä riskit voivat liittyä muun muassa virheelliseen tai pitkäaikaiseen käyttöön. Tiettyjä jäännösriskejä ei voi välttää, vaikka noudatetaan kaikkia turvamaäräyksiä ja käytetään turvalaitteita. Näitä ovat:

- ◆ Pyörivien tai liikkuvien osien koskettamisen aiheuttamat vahingot.

- ◆ Osia, teriä tai lisävarusteita vaihdettaessa aiheutuneet vahingot.
- ◆ Työkalun pitkäaikaisen käytön aiheuttamat vahingot. Varmista, että pidät säännöllisesti taukoja työkalun pitkäaikaisen käytön aikana.
- ◆ Kuulon heikkeneminen.
- ◆ Työkalua käytettäessä (esimerkiksi puuta, erityisesti tammea, pyökkiiä ja MDF-levyjä, käsiteltäessä) syntyneen pölyn sisäinhengityksen aiheuttamat terveysriskit.

Tärinä

Teknisissä tiedoissa ja vaatimustenmukaisuusvakuutuksessa ilmoitettu tärinäpäästöarvo on mitattu EN 60745 -standardin testausmenetelmän mukaisesti, ja arvoa voi käyttää työkalujen keskinäiseen vertailuun. Ilmoitettua tärinäpäästöarvoa voi käyttää myös altistumisen alustavaan arviointiin.

Varoitus! Sähkötyökalun käytön aikana mitattu todellinen tärinäpäästöarvo voi poiketa ilmoitetusta tärinäpäästöarvosta työkalun käyttötavan mukaan. Tärinätaaso voi olla ilmoitettua tasoa suurempi.

Kun tärinälle altistumista arvioidaan sen määrittämiseksi, mitä direktiivin 2002/44/EY mukaisia turvatoimenpiteitä vaaditaan sähkötyökaluja säännöllisesti käyttävien henkilöiden suojelemiseksi, tärinälle altistumisen arvioinnissa on otettava huomioon todelliset käyttöolosuhteet ja työkalun käyttötavat. Todellisen käytön lisäksi on kiinnitettävä huomiota myös siihen, milloin työkalu on sammutettuna tai se käy tyhjäkäynnillä.

Työkalun tarrat

Työkalussa on seuraavat merkit sekä päivämääräkoodi:



Varoitus! Käyttäjän on luettava käyttöohje vahinkojen välttämiseksi.



Käytä suojalaseja, kun käytät laitetta.



Käytä kuulonsuojaimia, kun käytät työkalua

Akkuja ja laturia koskevat lisäturvaohteet

Akut (vain malli BCG720M1)

- ◆ Älä koskaan yritä avata mistään syystä.
- ◆ Älä anna akun kastua.
- ◆ Älä säilytä akkuja tiloissa, joissa lämpötila voi nousta yli 40 °C:een.
- ◆ Lataa akku paikassa, jonka lämpötila on vähintään 10 °C ja enintään +40 °C.
- ◆ Lataa akku ainoastaan työkalun mukana toimitetulla laturilla.

- ◆ Noudata akkuja hävittäessäsi kohdassa "Ympäristönsuojelu" annettuja ohjeita.



Älä koskaan yritä ladata viallisia akkuja.

Laturit (vain malli BCG720M1)

- ◆ Käytä BLACK+DECKER-laturia vain laitteen mukana toimitetun akun lataamiseen. Muut akut voivat räjähtää ja aiheuttaa henkilövahinkoja tai aineellisia vahinkoja.
- ◆ Älä koskaan yritä ladata akkuja, joita ei ole tarkoitettu ladattavaksi.
- ◆ Vaihda vialliset johdot välittömästi ehjiin.
- ◆ Suojaa laturi vedeltä.
- ◆ Älä avaa laturia.
- ◆ Älä työnnä mitään laturin sisään.



Laturi on tarkoitettu ainoastaan sisäkäyttöön.



Lue käyttöohjeet huolellisesti ennen laitteen käyttöä

Sähköturvallisuus



Laturi on kaksoiseristetty, joten erillistä maadoitusta ei tarvita. Tarkista aina, että verkkojännite vastaa arvokilvessä ilmoitettua jännitettä. Älä yritä vaihtaa laturiin tavallista verkkovirran pistoketta.

- ◆ Jos virtajohto vahingoittuu, sen vaihtaminen on turvallisuussyistä jätettävä valmistajan tai valtuutetun BLACK+DECKER-huoltopalvelun tehtäväksi.

Yleiskuvasu

Tässä työkalussa on joitakin tai kaikki seuraavista ominaisuuksista.

1. Lukituskytkin
2. Liipaisukytkin
3. Sivukahva
4. Karalukko
5. Hiomasuoja
6. Hiomalaikka
7. Akkuportti
8. Akku (vain malli BCG720M1)

Akun lataaminen (kuva A)

BLACK+DECKER-laturit on tarkoitettu BLACK+DECKER-akkujen lataamiseen.

- ◆ Yhdistä laturi (9) sopivaan pistorasiaan ennen kuin laitat siihen akun (8).
- ◆ Aseta akku (8) laturiin ja varmista, että se on hyvin paikoillaan akun asennuspaikassa (kuva A).



LED-merkkivalo (9a) vilkkuu käynnissä olevan latauksen merkiksi.



Kun lataus on valmis, LED-merkkivalo jää palamaan pysyvästi. Akku on täysin ladattu ja sitä voidaan käyttää heti tai sen voi jättää laturiin.

- ◆ Lataa tyhjenneet akut mahdollisimman pian käytön jälkeen, muutoin akun käyttöikä voi lyhentyä. Vältä akkuvirran purkautumista kokonaan loppuun akun käyttöänsä maksimoimiseksi. Suosittelemme akkujen lataamista jokaisen käyttökerran jälkeen.

Laturin vianmääritys (kuva B)

Tämä laturi on tarkoitettu havaitsemaan joitakin akkuun tai virtalähteeseen liittyviä ongelmia. Ongelmista ilmoittaa yksi eri tahtiin vilkkuva LED-merkkivalo.

Viallinen akku



Laturi voi havaita heikkokuntoisen tai vaurioituneen akun. LED-merkkivalo vilkkuu merkissä ilmoitetulla tavalla. Jos näet tämän heikosta akun kunnosta ilmoittavan vilkkumisen, lopeta akun lataus.

Vie se huoltopalveluun tai kierrätyspisteeseen.

Kuuma-/kylmäviive



Kun laturi tunnustaa liian kuuman tai kylmän akun, se käynnistää automaattisesti akun kuuma-/kylmäviiveen, jolloin lataus käynnistyy vasta sitten, kun akku on saavuttanut oikean lämpötilan. Tämän jälkeen laturi kytkeytyy automaattisesti akun lataustilaan. Tämä toiminto takaa akun maksimaalisen käyttöiän.

Merkkivalo vilkkuu merkissä ilmoitetulla tavalla.

Akun jättäminen laturiin

Akku voidaan jättää laturiin, kun merkkivalo palaa. Laturi pitää akun käyttövalmiina ja ladattuna. Tässä laturissa on automaattinen viritystila, joka tasaa tai tasapainottaa akun yksittäiset nennot sen käyttämiseksi huipputeholla. Akut tulee virittää viikoittain tai aina kun akun teho heikkenee. Voit käyttää automaattista viritystila asetamalla akun laturiin ja jättämällä sen paikoilleen vähintään 8 tunnin ajaksi.

Tärkeitä huomautuksia lataamiseen

- ◆ Käyttöikä ja teho voidaan maksimoida, jos akkuja ladataan ilman lämpötilassa 18 °C - 24 °C. Akkua EI SAA ladata alle +4,5 °C tai yli +40 °C ilman lämpötilassa. Tämä on tärkeää akun vakavien vaurioiden välttämiseksi.
- ◆ Laturi ja akku voivat kuumentua latauksen aikana. Tämä on normaalia, eikä ole osoitus ongelmasta. Jotta akku jäähtyisi käytön jälkeen, vältä asettamista laturia tai

akku lämpimään ympäristöön, kuten metallikoteloon tai eristämättömän perävaunun päälle.

- ◆ Jos akku ei lataudu oikein:
 - ◆ Tarkista pistorasian toiminta kytkemällä siihen lamppu tai jokin muu laite.
 - ◆ Tarkista valojen sammuttamisen yhteydessä virran katkaisevaa valokytintä liitetty pistorasiaan.
 - ◆ Siirrä laturi ja akku paikkaan, jossa ympäristölämpötila on noin 18 °C - 24 °C.
 - ◆ Jos latausongelmat jatkuvat, vie työkalu akun ja laturin ohella paikalliseen huoltopalveluun.
 - ◆ Akku täytyy ladata uudelleen, kun se ei enää tuota riittävästi tehoa töissä, joka voitiin aikaisemmin tehdä helposti. ÄLÄ JATKA TYÖKALUN KÄYTTÖÄ näissä olosuhteissa. Noudata latausohjeita. Voit halutessasi myös ladata osittain käytetyn akun milloin tahansa, ilman että siitä olisi haittaa akulle.
 - ◆ Johtavat materiaalit kuten, mutta ei näihin rajoittuen, hiomapöly, metallihiukkaset, teräsvilla, alumiinifolio tai muu metallipartikkeleiden kasaantuma, tulee pitää poissa laturin aukoista. Irrota laturi tehonsyötöstä ennen kuin yrität puhdistaa sitä.
 - ◆ Älä pakasta tai upota laturia veteen tai muihin nesteisiin.
- Akun kiinnittäminen ja irrottaminen (kuvat C, D)**
- ◆ Kiinnitä akku (8) asettamalla se työkalussa (7) olevan kiinnityssyvennyksen kanssa samaan linjaan. Liu'uta akku kiinnityssyvennykseen, kunnes se lukittuu paikalleen.
 - ◆ Irrota akku painamalla akun vapautuspainiketta (8a) samalla kun vedät akku irti liitännästä.

Asennus

Varoitus! Varmista ennen työkalun kokoamista, että sen virta on katkaistu ja että akku on irrotettu.

Suojuksen asennus ja poisto (kuvat E, F ja G)

Työkalun mukana toimitetaan suojuus, joka on tarkoitettu vain hiontaa varten (tyyppi 27). Jos laitetta aiotaan käyttää leikkaamiseen, on asennettava leikkaamista varten tarkoitettu suojuus (tyyppi 41). Sopivia suojuksia, tuotenro 1004702-44 (125 mm leikkulaikka), on saatavilla BLACK+DECKER-huoltopalveluista.

- ◆ Aseta työkalu pöydälle kara (11) ylöspäin.
- ◆ Vapauta kiristyslukitsin ja pidä suojusta työkalun yläpuolella kuvan E mukaisesti.
- ◆ Linjaa korvakkeet (5a) lovien (10) kanssa kuvan F mukaisesti.
- ◆ Paina suojusta alaspäin ja pyöritä sitä vastapäivään haluttuun asentoon kuvan G mukaisesti.
- ◆ Kiristä suojuksen lukitusruuvi kiinnittäaksesi suojuksen työkaluun.

- ◆ Jos tarpeen, kiristä ruuvia kasvattaaksesi kiristysvoimaa.

Irrottaminen

- ◆ Irrota suojuksen lukitusruuvi.
- ◆ Pyöritä suojusta myötäpäivään linjatakseksi korvakkeet (5a) lovien (10) kanssa.
- ◆ Irrota suojuksen työkalusta.

Varoitus! Älä koskaan käytä työkalua ilman suojusta.

Sivukahvan kiinnittäminen

- ◆ Ruuvaa sivukahva (3) yhteen työkalun kiinnitysreistä.

Varoitus! Käytä aina sivukahvaa.

Hiomalaikan, leikkuulaikan tai hiekkapaperiekikon kiinnittäminen ja irrottaminen (kuvat H, I, J, K, L)

Käytä aina työhösi sopivaa laikkatyyppeä.

Käytä aina laikkaa, jolla on oikea halkaisija ja sisäläpimita (katso Tekniset tiedot).

Kiinnittäminen

- ◆ Aseta suojuksen paikalleen yllä kuvatulla tavalla.
- ◆ Aseta sisälaippa (12) karaan (11) kuvassa esitetyllä tavalla. H. Varmista, että laippa on asetettu oikein karaan tasaisille pinnoille.
- ◆ Aseta levy (6) karaan (11) kuvan H mukaisesti. Jos levyn keskiosa on kohonnut, varmista, että kohonnut keskiosa osoittaa sisälaippaan päin.
- ◆ Varmista, että laikka on asetettu sisälaiपालle oikein.
- ◆ Aseta ulkoiippa (14) karaan. Hiomalaikkaa kiinnitettäessä ulkoiipan korotetun keskustan on oltava laikan puolella (kohta A kuvassa I). Leikkuulaikkaa kiinnitettäessä ulkoiipan korotetun keskustan on oltava laikasta poispäin (kohta B kuvassa I).
- ◆ Pidä karalukkoa (4) painettuna ja kiristä ulkoiippa sakara-avainta (16) käyttäen (kuva J).

Irrottaminen

- ◆ Pidä karalukko (4) painettuna ja löysää ulkoiippaa (14) sakara-avaimella (16) (kuva J).
- ◆ Poista ulkoiippa (14) ja laikka (6).

Pintahionta hiomalaikoilla

- ◆ Anna työkalun pysähtyä kokonaan ennen kuin työkalu koskettaa työpintaa.
- ◆ Paina työpintaa mahdollisimman vähän, jotta työkalu toimii korkealla nopeudella. Hiomateho on suurin, kun työkalu toimii korkealla nopeudella.
- ◆ Pidä työkalu 20–30 asteen kulmassa työpintaan nähden kuvan L mukaisesti.
- ◆ Siirrä työkalua jatkuvasti eteen- ja taaksepäin, jotta työpintaa ei tulisi epätasaisuuksia.

- ◆ Poista työkalu työpinnasta ennen työkalun sammuttamista. Anna työkalun pysähtyä ennen sen asettamista alas.

Reunahionta hiomalaikoilla

Leikkaamiseen ja reunahiontaan tarkoitetut laikat voivat rikkoutua tai potkaista takaisin taipumisen tai vääntymisen seurauksena, jos niitä käytetään katkaisuun tai syvään hiontaan.

Reunan hiominen/leikkaus tyyppiin 27 laikalla on rajoitettava syvyydeltään alle 13 mm:n leikkauksiin ja uriin käyttäessä uutta laikkaa. Laskke leikkauksen/urituksen syvyyttä laikan säteen kulumisen mukaan. Katso lisätieto osiosta "Hionta- ja leikkauksivälineet".

Reunan hiominen/leikkaus tyyppiin 41 laikalla edellyttää tyyppiin 41 suojusta.

- ◆ Anna työkalun pysähtyä kokonaan ennen kuin työkalu koskettaa työpintaa.
- ◆ Paina työpintaa mahdollisimman vähän, jotta työkalu toimii korkealla nopeudella. Hiomateho on suurin, kun työkalu toimii korkealla nopeudella.
- ◆ Asetu niin, että laikan avoin alapuoli osoittaa itsestäsi poispäin.
- ◆ Kun leikkaus on aloitettu ja työkappaleeseen tehdään ura, älä muuta leikkauksikulmaa. Jos kulmaa muutetaan, laikka taittuu ja se voi rikkoutua. Reunan hiomalaikkoja ei ole tarkoitettu kestämään taittumisesta aiheutuvia sivupaineita.
- ◆ Poista työkalu työpinnasta ennen työkalun sammuttamista. Anna työkalun pysähtyä ennen sen asettamista alas.

Varoitus! Älä käytä reunan hioma-/leikkuulaikkoja pinnan hiomiseen, jos laikan merkintä kieltää sen, koska niitä ei ole tarkoitettu kestämään pinnan hiomisen aikana tapahtuvia sivupaineita. Laikka voi tällöin rikkoutua ja henkilövahinkoja tapahtua.

Hiekkapaperilaikkojen kiinnittäminen ja irrottaminen (kuva K)

Tukilaiipan käyttäminen on pakollista hionnassa. Tukilaiippoja on saatavana lisävarusteena BLACK+DECKER -jälleenmyyjiltä.

Kiinnittäminen

- ◆ Aseta sisälaippa (12) karaan (11) kuten kuvassa (kuva K). Varmista, että laippa on asetettu oikein karaan tasaisille pinnoille.
- ◆ Aseta tukilaippa (18) karaan.
- ◆ Aseta hiekkapaperilaiikka (19) tukilaiपालle.
- ◆ Aseta ulkoiippa (14) karaan siten, että sen korotettu keskusta on pois päin laikasta.
- ◆ Pidä karalukkoa (4) painettuna ja kiristä ulkoiippa sakara-avainta (16) käyttäen (kuva J). Varmista, että

ulkoiippa on kiinnitetty oikein ja että laikka on tiukasti paikallaan.

Irrottaminen

- ◆ Pidä karalukko (4) painettuna ja löysää ulkoiippaa (14) sakara-avaimella (16) (kuva J).
- ◆ Poista ulkoiippa (14), hiekkapaperilaiikka (19) ja tukilaiippa (18).

Pinnan viimeistely hiekkapaperilaikoilla

- ◆ Anna työkalun pysähtyä kokonaan ennen kuin työkalu koskettaa työpintaa.
- ◆ Paina työpintaa mahdollisimman vähän, jotta työkalu toimii korkealla nopeudella. Hiomateho on suurin, kun työkalu toimii korkealla nopeudella.
- ◆ Pidä työkalu 5–10 asteen kulmassa työpintaan nähden kuvan M mukaisesti.
- ◆ Siirrä työkalua jatkuvasti eteen- ja taaksepäin, jotta työpintaa ei tulisi epätasaisuuksia.
- ◆ Poista työkalu työpinnasta ennen työkalun sammuttamista. Anna työkalun pysähtyä ennen sen asettamista alas.

Hiomapaperin tukilaiippojen käyttäminen

Valitse aina oikeat hiomapaperilaikat käyttötarkoitukseen. Eri karkeusasteisia hiomapaperilaikkoja on saatavilla. Karkeat laikat poistavat materiaalia nopeammin ja tuloksena on karkeampi pinta. Hienopintaisemmat laikat poistavat materiaalia hitaammin ja tuloksena on tasaisempi pinta. Aloita käyttö karkeilla laikoilla materiaalin nopeaa ja karkeaa poistoa varten. Siirry keskikarkeaan hiomapaperiin ja viimeistele hienopintaisella laikalla optimaalisen tuloksen saavuttamiseksi.

- ◆ Karkea: = 16–30 karkeusaste.
- ◆ Keskikarkea: = 36–80 karkeusaste.
- ◆ Hieno viimeistely: = 100–120 karkeusaste.
- ◆ Erittäin hieno viimeistely: = 150–180 karkeusaste.
- ◆ Anna työkalun pysähtyä kokonaan ennen kuin työkalu koskettaa työpintaa.
- ◆ Paina työpintaa mahdollisimman vähän, jotta työkalu toimii korkealla nopeudella. Hiomateho on suurin, kun työkalu toimii korkealla nopeudella.
- ◆ Pidä työkalu 5–10 asteen kulmassa työpintaan nähden kuvan N mukaisesti. Hiomalaikan tulee koskettaa työpintaa noin 25 mm:n verran.
- ◆ Siirrä työkalua jatkuvasti suorassa linjassa, jotta työpintaan ei tulisi palamisen tai kiertämisen. Jos työkalun annetaan olla työpintaa vasten sitä liikuttamatta tai jos työkalua liikutetaan pyörivin liikkein, työpintaa tulee palamisen ja kiertämisen merkkejä.
- ◆ Poista työkalu työpinnasta ennen työkalun sammuttamista. Anna työkalun pysähtyä ennen sen asettamista alas.

Varotoimet hiottaessa maalia

◆ Lyijypohjaisen maalin hiomista **EI SUOSITELLA** saastuneen pölyn hallinnan vaikeuden vuoksi. Lyijymyrkytyksen vaara on suurin lapsille ja raskaana oleville naisille.

◆ Koska on vaikea määrittää ilman kemiallista analyysia sisältääkö maali lyijyä, suosittelemme seuraavia varotoimia maalia hiottaessa:

- ◆ Lasten tai raskaana olevien naisten ei tulisi tulla työalueelle, jossa maalia hiotaan, ennen kuin työ on valmis ja puhdistaminen suoritettu.
- ◆ Kaikkien työalueelle tulevien ihmisten tulee käyttää hengityssuojainta. Suodatin tulee vaihtaa päivittäin tai aina, kun käyttäjän on vaikea hengittää.

Huomautus: Käytä ainoastaan hengityssuojia, jotka suojaavat sinut lyijypohjaisen maalin työstämisestä aiheutulta pölyltä ja höyryltä. Tavalliset hengityssuojat eivät anna tätä suojaa. Hanki paikallisesta rautakaupasta hyväksytty hengityssuojain.

- ◆ Työalueella EI SAA SYÖDÄ, JUODA tai TUPAKOIDA, jotta estetään saastuneiden maalihiukkosten joutuminen elimistöön. Työntekijöiden tulee peseytyä ja siistiä Y ENNEN syömistä, juomista tai tupakointia.

Ruokia, juomia tai tupakointivälineitä ei tule jättää työalueelle, jossa pöly voi päästä niihin.

- ◆ Maali tulee poistaa niin, että syntyvän pölyn määrä on mahdollisimman pieni.
- ◆ Alueet, joilla maalia poistetaan, tulee eristää muovikalvolla, jonka paksuus on 0,01 mm.
- ◆ Hionta tulisi tehdä niin, että maalipölyä päätyy mahdollisimman vähän työalueen ulkopuolelle.
- ◆ Kaikki työalueen pinnat tulee imuroida ja puhdistaa huolellisesti päivittäin hiontaprojektin ajan. Imurin suodattimet tulee puhdistaa säännöllisesti.
- ◆ Muovipressut tulee kerätä ja hävittää lastujen tai muun jätteen kanssa. Ne tulee laittaa suljetuihin jättesäiliöihin ja hävittää tavallisten jätteenhävityssäännösten mukaisesti. Puhdistuksen aikana lasten ja raskaana olevien naisten tulee pysyä poissa välittömän työalueen läheltä.
- ◆ Kaikki lasten lelut, pestävän huonekalut ja tarvikkeet tulee pestä perusteellisesti ennen niiden uudelleenkäyttöä.

Teräsharjojen ja -laikkojen asentaminen ja käyttäminen

Teräsharjat tai -laikat asennetaan suoraan hiomakoneen karaan ilman laippoja. Tyyppiin 27 suoja vaaditaan teräsharjoja ja -laikkoja käytettäessä. Käytä suojakäsineitä teräsharjoja ja -laikkoja käsitellessä.

Niistä voi tulla teräviä. Laikka tai harja ei saa koskettaa suojaan asennuksen yhteydessä tai käytön aikana. Huomaamattomia vaurioitua voi tulla lisävarusteeseen, jolloin lisävarusteen laikasta tai kupista voi irrota teräspaloja.

- ◆ Kierrä laikka karaan käsin.
- ◆ Paina karan lukituspainiketta ja kiristä laikka säätämällä teräslaikan tai -harjan napaa avaimella.
- ◆ Poista laikka toimimalla päinvastaisessa järjestyksessä.

Varoitus! Jos laikan napaa asenneta oikein ennen työkalun käynnistämistä, työkalu tai laikka voi vaurioitua. Teräsharjoja ja -laikkoja voidaan käyttää ruosteen, kalkin ja maalin poistamiseen sekä epätasaisten pintojen tasoittamiseen.

Huomautus: Maalin lankaharjauksessa tulee noudattaa samoja varoimenpiteitä kuin maalin hionnassa.

- ◆ Anna työkalun pysähtyä kokonaan ennen kuin työkalu koskettaa työpintaa.
- ◆ Paina työpintaa mahdollisimman vähän, jotta työkalu toimii korkealla nopeudella. Materiaalin poistoteho on suurin, kun työkalu toimii korkealla nopeudella.
- ◆ Kun käytät kupin muotoista lankaharjaa, pidä työkalu 5–10 asteen kulmassa työpintaan nähden kuvan O mukaisesti.
- ◆ Pidä laikan reuna kiinni työpinnassa teräslaikkoja käyttäessä.
- ◆ Siirrä työkalua jatkuvasti eteen- ja taaksepäin, jotta työpintaan ei tulisi epätasaisuuksia. Jos työkalun annetaan olla työpintaa vasten sitä liikuttamatta tai jos työkalua liikutetaan pyörivin liikkein, työpintaa tulee palamisen ja kiertämisen merkkejä.
- ◆ Poista työkalu työpinnasta ennen työkalun sammuttamista. Anna työkalun pysähtyä ennen sen asettamista alas.

Varoitus! Ole erityisen varovainen reunaa työstäessä, sillä hiomakoneessa voi esiintyä äkinäisiä liikkeitä.

Leikkuulaikkojen (tyyppi 41) asentaminen ja käyttäminen

Leikkuulaikkoihin kuuluvat timanttilaikat ja hiomalaiikat. Saatavilla on hiomalaiikkoja metalli ja betonin leikkaamiseen. Myös betonin leikkaamiseen tarkoitettuja timanttilaikkoja voidaan käyttää.

HUOMIO: Suljettu kaksipuolinen tyyppi 41 leikkuulaikan suojus on saatavilla erikseen ja se vaaditaan leikkuulaikkoja käytettäessä. Mikäli oikeaoppista laippaa ja suojaa ei käytetä, henkilövahinkoja voi tapahtua laikan rikkoutuessa tai kosketuksen yhteydessä.

Leikkuulaikoissa tulee käyttää saman halkaisijan omaavaa taustalaippaa ja kiertäistä lukitusmutteria (kuuluu työkaluun).

Leikkuulaikkojen asentaminen

- ◆ Aseta kiertetön taustalaippa karaan korkean osan (ohjain) osoittaessa ylöspäin. Taustalaipan korkea osa (ohjain) on laikkaa vasten, kun laikka asennetaan.
- ◆ Aseta laikka taustalaippaan keskittämällä laikka korkeaan osaan (ohjain).
- ◆ Asenna kiertäinen lukitusmutteri niin, että korkea osa (ohjain) osoittaa laikasta pois päin.

- ◆ Paina karan lukituspainiketta ja kiristä lukitusmutteri pakkaukseen kuuluvalla avaimella (16).
- ◆ Poista laikka painamalla karan lukituspainiketta ja löysäämällä kiertäistä lukitusmutteria pakkaukseen kuuluvalla avaimella.

Varoitus! Älä käytä reunan hioma-/leikkuulaikkoja pinnan hiomiseen, koska niitä ei ole tarkoitettu kestävään pinnan hiomisen aikana tapahtuvia sivupaineita. Laikka voi tällöin rikkoutua ja henkilövahinkoja tapahtua.

- ◆ Anna työkalun pysähtyä kokonaan ennen kuin työkalu koskettaa työpintaa.
- ◆ Paina työpintaa mahdollisimman vähän, jotta työkalu toimii korkealla nopeudella. Leikkausteho on suurin, kun työkalu toimii korkealla nopeudella.
- ◆ Kun leikkaus on aloitettu ja työkappaleeseen tehdään ura, älä muuta leikkauskulmaa. Jos kulmaa muutetaan, laikka taittuu ja se voi rikkoutua.
- ◆ Poista työkalu työpinnasta ennen työkalun sammuttamista. Anna työkalun pysähtyä ennen sen asettamista alas.

Käyttö

Varoitus! Anna työkalun käydä omaan tahtiinsa. Älä ylikuormita sitä.

- ◆ Valmistaudu kipinävirtaan hioma- tai leikkausajan koskettaessa työstökappaletta.
- ◆ Aseta työkalu aina siten, että suojus antaa optimaalisen suojan hioma- tai leikkuulaikalta.

Käynnistäminen ja sammuttaminen

- ◆ Virta kytketään työkaluun liu'uttamalla lukituskytkintä (2) eteenpäin.
- ◆ Sammuta laite liu'uttamalla lukituskytkintä (2) taaksepäin.

Varoitus! Älä sammuta työkalua sen ollessa kuormitettuna.

Varoitus! Kytke lukitus aina päälle, kun työkalua ei käytetä.

Vinkkejä parhaimman tuloksen saavuttamiseksi

- ◆ Pidä työkalusta tiukasti kiinni toisella kädellä sivukahvasta ja toisella pääkahvasta.
- ◆ Pidä hionnassa aina noin 20° - 30°:een kulma laikan ja työstökappaleen pinnan välillä.

Huolto







Verkkojohdolla varustettu tai verkkojohdoton BLACK+DECKER-laite on suunniteltu toimimaan mahdollisimman kauan mahdollisimman vähällä huollolla. Oikea käsittely ja säännöllinen puhdistus varmistavat laitteen ongelmattoman toiminnan.







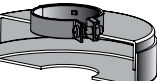
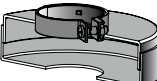





Varoitus! Ennen verkkojohdolla varustetun tai verkkojohdoton sähkötyökalun huoltoa toimi seuraavasti:

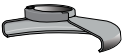






- ◆ Sammuta laite/työkalu ja irrota se verkkovirrasta.
- ◆ Jos laitteessa/työkalussa on erillinen akku, sammuta laite/työkalu ja irrota sen akku.

- ◆ Jos akku on ehjä, käytä akku täysin loppuun ja sammuta laite sitten.
- ◆ Irrota laturi pistorasiasta ennen laturin puhdistamista. Laturi ei tarvitse säännöllisen puhdistamisen lisäksi mitään muuta huoltoa.
- ◆ Puhdista laitteen/työkalun/laturin ilma-aukot säännöllisesti pehmeällä harjalla tai kuivalla kangasliinalla.
- ◆ Puhdista moottorikotelo säännöllisesti kostealla liinalla. Älä käytä hankaavia tai liuotinpohjaisia puhdistusaineita.

Hionta- ja leikkuulisävarusteet

Hiomalaiikat	
 Tyypin 27 suojus	 Tyypin 27 suojus
 Kiertetön taustalaippa	
 Tyypin 27 laikka keskipo- naumalla	 Tyypin 27 napalaikka
 Kiertäinen mutteri	

Hiekkapaperilaikat	
 Tyypin 27 suojus	 Tyypin 27 suojus
 Navallinen hiekkapaperi- laikka	 Kiertetön taustalaippa
	 Navaton hiekkapaperilaikka
	 Kiertäinen mutteri
Tyypin 41 leikkuulaikat	
 Tyypin 41 suojus	 Tyypin 41 suojus
 Taustalaippa	 Taustalaippa
 Hiova leikkuulaikka	 Timanttileikkuulaikka
 Lukitusmutteri	 Lukitusmutteri

Teräslankalaikat	
	
Tyypin 27 suojus	Tyypin 27 suojus
	
3 tuuman kupin muotoinen teräslankaharja	4 tuuman kupin muotoinen teräslankaharja
Hiomapaperilaikat	
	
Kuminen tukilappu	
	
Hiomapaperilaikka	
	
Kierteinen mutteri	

Ympäristönsuojelu



Toimita tämä laite erilliskeräykseen. Tällä symbolilla merkityjä tuotteita ja akkuja ei saa hävittää tavallisen kotitalousjätteen mukana.

Tuotteissa ja akuissa on materiaaleja, jotka voidaan ottaa talteen tai kierrättää uudelleen käyttöä varten.

Kierrätä sähkölaitteet ja akut paikallisten määräysten mukaan. Lisätietoa on saatavilla osoitteessa www.2helpU.com

Tekniset tiedot

		BCG720 M1	BCG720 N
Syöttöjännite	V _{DC}	18	18
Nimellisa nopeus (kuormittamaton)	min ⁻¹	8600	8600
Laikan sisäläpimitta	mm	22	22
Laikan maksimipaksuus			
Hiomalaikat	mm	6	6
Katkaisulaikat	mm	3,5	3,5
Karan koko		M14	M14
Paino	Kg	2,1 ilman akkua ja pyörää	2,1 ilman akkua ja pyörää
Akku		BL4018	Pelkkä laite (ei sisälly pakkaukseen)
Jännite	V _{DC}	18	
Teho	Ah	4,0	
Tyyppi		Li-Ion	
Laturi		9059995*	Pelkkä laite (ei sisälly pakkaukseen)
Tulojännite	V _{AC}	230	
Lähtöjännite	V _{DC}	18	
Virta	A	1,0	
Arvioitu latausaika	Tuntia	4	

Äänenpainetaso, määritetty EN 60745-standardin mukaan:

Äänenpaine (L_{pa}) 76 dB(A), epävarmuus (K) 4 dB(A)

Ääniteho (L_{wa}) 87 dB(A), epävarmuus (K) 4 dB(A)

Tärinän kokonaisarvot (vektorisumma) standardin EN 60745 mukaisesti:

Pinnan hionta (a_{h,SC}): 7,3 m/s², K= 1,5 m/s².
 Laikkahionta (a_{h,DS}): 1,9 m/s², K= 1,5 m/s².
 Kiillotus (a_{h,PS}): 8,6 m/s², K= 2,4 m/s².
 Teräsharja (a_{h,VB}): 3,8 m/s², K= 1,5 m/s².
 Leikkaus (a_{h,CO}): 4,0 m/s², K= 1,5 m/s².

EY-vaatimusten mukaisuusvakuutus

KONEDIREKTIIVI



BCG720 Kulmahiomakone

Black & Decker ilmoittaa, että Tekniset tiedot -kohdassa kuvattut tuotteet täyttävät seuraavien direktiivien vaatimukset: 2006/42/EY, EN 60745-1:2009 + A11:2010; EN 60745-2-3:2011 + A2:2013 + A11:2014 + A12:2014 + A13:2015

Nämä tuotteet täyttävät myös direktiivien 2014/30/EU ja 2011/65/EU vaatimukset.

Lisätietoja saa ottamalla yhteyden Black & Deckeriin seuraavassa osoitteessa. Tiedot ovat myös käyttöohjeen takakan- nassa.

Allekirjoittanut vastaa teknisten tietojen kokoamisesta tehden tämän ilmoituksen Black & Deckerin puolesta.

R. Laverick

Teknisen osaston johtaja
 Black & Decker Europe, 210 Bath Road, Slough,
 Berkshire, SL1 3YD
 United Kingdom
 10.01.2018

Takuu

Black & Decker on vakuuttanut tuotteidensa korkeasta laadusta ja tarjoaa kuluttajille 24 kuukauden takuun, joka astuu voimaan ostopäivänä. Takuu on lisäys kuluttajan laillisiin oikeuksiin eikä vaikuta niihin. Tämä takuu on voimassa kaikissa EU- ja ETA-maissa.

Edellytyksenä takuun saamiselle on, että vaade täyttää Black & Deckerin ehdot ja että ostaja toimittaa ostotositteen jälleenmyyjälle tai valtuutetulle huoltoliikkeelle. Black & Deckerin kahden vuoden takuun ehdot ja lähimmän valtuutetun korjauspalvelun yhteystiedot ovat saatavilla osoitteessa www.2helpU.com tai ottamalla yhteyttä paikalliseen Black & Deckerin toimipisteeseen tässä ohjekirjassa ilmoitettuihin osoitteisiin.

Käy verkkosivuillemme osoitteessa www.blackanddecker.fi ja rekisteröi uusi Black & Decker -tuotteesi saadaksesi tietoa uusista tuotteista ja erikoistarjouksista.

Προβλεπόμενη χρήση

Ο γωνιακός τροχός BLACK+DECKER BCG720 M1, BCG720 N έχει σχεδιαστεί για πρόχισμα και κοπή μετάλλου και ειδών τοιχοποιίας με χρήση του κατάλληλου τύπου δίσκου κοπής ή τροχίσματος όταν στο εργαλείο είναι τοποθετημένος κατάλληλο προστατευτικό. Αυτό το εργαλείο προορίζεται μόνο για καταναλωτική χρήση.

Οδηγίες ασφαλείας

Γενικές προειδοποιήσεις ασφαλείας για ηλεκτρικά εργαλεία



Προειδοποίηση! Διαβάστε όλες τις προειδοποιήσεις ασφαλείας και όλες τις οδηγίες. Η μη τήρηση των παρακάτω προειδοποιήσεων και οδηγιών μπορεί να προκαλέσει ηλεκτροπληξία, πυρκαγιά και/ή σοβαρές σωματικές βλάβες.

Φυλάξτε όλες τις προειδοποιήσεις και τις οδηγίες για μελλοντική αναφορά. Ο όρος "ηλεκτρικό εργαλείο" που χρησιμοποιείται σε όλες τις παρακάτω προειδοποιήσεις, αναφέρεται είτε σε εργαλείο που λειτουργεί με ρεύμα δικτύου (ρεύματος - με καλώδιο) είτε σε εργαλείο που λειτουργεί με μπαταρία (μπαταρίας - χωρίς καλώδιο).

1. Ασφάλεια χώρου εργασίας

- Διατηρείτε το χώρο εργασίας καθαρό και καλά φωτισμένο.** Οι ατακτοποιητοί ή σκοτεινοί χώροι γίνονται αιτίες ατυχημάτων.
- Μη χρησιμοποιείτε ηλεκτρικά εργαλεία σε περιβάλλον όπου υπάρχει κίνδυνος έκρηξης, όπως με παρουσία εύφλεκτων υγρών, αερίων ή σκόνης.** Τα ηλεκτρικά εργαλεία παράγουν σπινθήρες που μπορεί να προκαλέσουν ανάφλεξη της σκόνης ή των αναθυμιάσεων.
- Όταν χρησιμοποιείτε ηλεκτρικό εργαλείο, κρατάτε μακριά τα παιδιά και άλλα άτομα.** Παράγοντες που αποσπούν την προσοχή μπορεί να σας κάνουν να χάσετε τον έλεγχο.

2. Ασφαλής χρήση ηλεκτρικού ρεύματος

- Τα φως των ηλεκτρικών εργαλείων πρέπει να ταιριάζουν στην πρίζα. Σε καμία περίπτωση μην τροποποιήσετε το φως, με κανένα τρόπο. Μη χρησιμοποιείτε φως προσαρμογής με γειωμένα ηλεκτρικά εργαλεία.** Τα φως που δεν έχουν υποστεί τροποποιήσεις και οι κατάλληλες πρίζες μειώνουν τον κίνδυνο ηλεκτροπληξίας.
- Αποφεύγετε την επαφή του σώματός σας με γειωμένες επιφάνειες, όπως σωλήνες, καλοριφέρ, κουζίνες και ψυγεία.** Υπάρχει αυξημένος κίνδυνος

ηλεκτροπληξίας αν το σώμα σας είναι γειωμένο.

- γ. Μην εκθέτετε τα ηλεκτρικά εργαλεία σε βροχή ή υγρασία. Η διείσδυση νερού σε ένα ηλεκτρικό εργαλείο αυξάνει τον κίνδυνο ηλεκτροπληξίας.
- δ. Μην κακομεταχειρίζεστε το καλώδιο. Ποτέ μη χρησιμοποιείτε το καλώδιο για να μεταφέρετε το ηλεκτρικό εργαλείο, να το τραβήξετε ή να το αποσυνδέσετε από την πρίζα. Κρατάτε το καλώδιο μακριά από θερμότητα, λάδια, αιχμηρά άκρα ή κινούμενα μέρη. Τα καλώδια που έχουν υποστεί ζημιά ή είναι μπερδεμένα αυξάνουν τον κίνδυνο ηλεκτροπληξίας.
- ε. Όταν χρησιμοποιείτε ηλεκτρικό εργαλείο σε εξωτερικούς χώρους, να χρησιμοποιείτε πάντοτε καλώδιο επέκτασης κατάλληλο για εργασία σε εξωτερικούς χώρους. Η χρήση καλωδίου κατάλληλου για εργασία σε εξωτερικούς χώρους μειώνει τον κίνδυνο ηλεκτροπληξίας.
- στ. Εάν είναι αναπόφευκτη η χρήση ενός ηλεκτρικού εργαλείου σε συνθήκες υγρασίας, χρησιμοποιήστε μια διάταξη προστασίας από ρεύμα διαρροής (RCD). Η χρήση μιας διάταξης RCD μειώνει τον κίνδυνο ηλεκτροπληξίας.
3. Προσωπική ασφάλεια
- α. Όταν χρησιμοποιείτε ηλεκτρικό εργαλείο, να είστε σε εγρήγορση, να συγκεντρώνετε στην εργασία που κάνετε και να επιστρατεύετε την κοινή λογική. Μη χρησιμοποιείτε ηλεκτρικό εργαλείο όταν είστε κουρασμένος/η υπό την επήρεια ναρκωτικών, οινοπνεύματος ή φαρμακευτικής αγωγής. Μια στιγμή απροσεξίας κατά τη χρήση ηλεκτρικών εργαλείων μπορεί να προκαλέσει σοβαρό τραυματισμό.
- β. Να χρησιμοποιείτε ατομικό εξοπλισμό προστασίας. Πάντα φοράτε προστασία ματιών. Ο εξοπλισμός προστασίας, όπως μάσκα κατά της σκόνης, αντιολισθητικά παπούτσια ασφαλείας, κράνος ή προστασία ακοής, όταν χρησιμοποιείται για τις κατάλληλες συνθήκες, θα μειώσει τους τραυματισμούς και τις σωματικές βλάβες.
- γ. Αποτρέψτε την ακούσια ενεργοποίηση. Βεβαιωθείτε ότι ο διακόπτης βρίσκεται στη θέση απενεργοποίησης, πριν συνδέσετε το εργαλείο στην πηγή ρεύματος και/ή τοποθετήσετε το πακέτο μπαταρίας, καθώς και πριν πάρετε στα χέρια σας ή μεταφέρετε το εργαλείο. Η μεταφορά ηλεκτρικών εργαλείων με το δάχτυλο πάνω στο διακόπτη ή η σύνδεση στο ρεύμα ηλεκτρικών εργαλείων με το διακόπτη στη θέση ενεργοποίησης, ενέχει κινδύνους ατυχημάτων.
- δ. Πριν θέσετε το ηλεκτρικό εργαλείο σε λειτουργία, αφαιρέστε τυχόν εργαλεία ή κλειδιά ρύθμισης. Εάν αφήσετε ένα εργαλείο ή κλειδί πάνω σε κάποιο περιστρεφόμενο εξάρτημα του ηλεκτρικού εργαλείου, μπορεί να προκληθούν τραυματισμοί.

- ε. Μην τεντώνετε υπερβολικά. Διατηρείτε πάντα σταθερή στήριξη στα πόδια σας και καλή ισορροπία. Έτσι μπορείτε να έχετε καλύτερο έλεγχο του ηλεκτρικού εργαλείου σε μη αναμενόμενες καταστάσεις.
- στ. Φοράτε κατάλληλη ενδυμασία εργασίας. Μη φοράτε φορδιά ρούχα ούτε κοσμήματα. Κρατάτε τα μαλλιά, τα ρούχα και τα γάντια σας μακριά από κινούμενα μέρη. Τα χαλαρά ρούχα, τα κοσμήματα και τα μακριά μαλλιά μπορούν να πιαστούν σε κινούμενα μέρη.
- ζ. Αν παρέχονται διατάξεις για τη σύνδεση συστημάτων απομάκρυνσης και συλλογής της σκόνης, βεβαιωθείτε ότι αυτές είναι συνδεδεμένες και χρησιμοποιούνται σωστά. Η χρήση διατάξεων συλλογής της σκόνης μπορεί να μειώσει τους κινδύνους που προέρχονται από τη σκόνη.
- η. Μην αφήνετε την εξοικείωση που έχετε αποκτήσει από τη συχνή χρήση εργαλείων να σας επιτρέψει να εφησυχάσετε ώστε να αγνοείτε τις αρχές ασφαλούς χρήσης των εργαλείων. Μια απρόσεκτη ενέργεια μπορεί να προκαλέσει βαρύ τραυματισμό μέσα σε κλάσματα του δευτερολέπτου.

4. Χρήση και φροντίδα ηλεκτρικών εργαλείων

- α. Μην υπερφορτώνετε το ηλεκτρικό εργαλείο. Χρησιμοποιείτε το σωστό ηλεκτρικό εργαλείο για την εφαρμογή σας. Το σωστό ηλεκτρικό εργαλείο θα εκτελέσει την εργασία καλύτερα και ασφαλέστερα, με την ένταση χρήσης για την οποία σχεδιάστηκε.
- β. Μη χρησιμοποιήσετε το ηλεκτρικό εργαλείο αν ο διακόπτης του δεν μπορεί να το ενεργοποιεί και απενεργοποιεί. Ένα ηλεκτρικό εργαλείο του οποίου η λειτουργία δεν μπορεί να ελεγχθεί με το διακόπτη είναι επικίνδυνο και πρέπει να επισκευαστεί.
- γ. Αποσυνδέστε το φως από την πηγή ρεύματος και/ή το πακέτο μπαταρίας από το ηλεκτρικό εργαλείο, πριν διεξαγάγετε οποιαδήποτε ρύθμιση, αλλαγή αξεσουάρ ή όταν πρόκειται να αποθηκεύσετε το ηλεκτρικό εργαλείο. Τέτοια προληπτικά μέτρα ασφαλείας μειώνουν τον κίνδυνο αθέλητης εκκίνησης του ηλεκτρικού εργαλείου.
- δ. Να φυλάσσετε μακριά από παιδιά τα ηλεκτρικά εργαλεία που δεν χρησιμοποιείτε. Μην αφήνετε να χρησιμοποιήσουν ηλεκτρικό εργαλείο άτομα που δεν είναι εξοικειωμένα με αυτό ή άτομα που δεν έχουν διαβάσει αυτές τις οδηγίες χρήσης. Τα ηλεκτρικά εργαλεία είναι επικίνδυνα στα χέρια μη εκπαιδευμένων χρηστών.
- ε. Να συντηρείτε τα ηλεκτρικά εργαλεία. Ελέγχετε για προβλήματα ευθυγράμμισης ή για μάγκωμα των κινούμενων εξαρτημάτων, θραύση εξαρτημάτων, καθώς και για οποιοδήποτε άλλο πρόβλημα μπορεί να επηρεάσει τη λειτουργία των ηλεκτρικών εργαλείων. Αν το ηλεκτρικό εργαλείο έχει υποστεί ζημιά, φροντίστε να επισκευαστεί πριν το

χρησιμοποιήσετε. Η ανεπαρκής συντήρηση των ηλεκτρικών εργαλείων αποτελεί αιτία πολλών ατυχημάτων.

στ. Διατηρείτε τα κοπτικά εργαλεία κοφτερά και καθαρά.

Τα κοπτικά εργαλεία με κοφτερές κοπτικές αιχμές που συντηρούνται σωστά έχουν λιγότερες πιθανότητες να μαγκώσουν και ελέγχονται ευκολότερα.

- ζ. Να χρησιμοποιείτε το ηλεκτρικό εργαλείο, τα αξεσουάρ και τις μύτες του εργαλείου κλπ. σύμφωνα με τις παρούσες οδηγίες, λαμβάνοντας υπόψη σας τις συνθήκες εργασίας και την εργασία που θέλετε να εκτελέσετε. Η χρήση του ηλεκτρικού εργαλείου για εργασίες διαφορετικές από τις προβλεπόμενες θα μπορούσε να οδηγήσει σε επικίνδυνη κατάσταση.
- η. Διατηρείτε τις λαβές και τις επιφάνειες κρατήματος στεγνές, καθαρές και απαλλαγμένες από λάδι και γράσο. Οι ολισθηρές λαβές και επιφάνειες κρατήματος δεν επιτρέπουν τον ασφαλή χειρισμό και έλεγχο του εργαλείου σε μη αναμενόμενες καταστάσεις.

5. Χρήση και φροντίδα εργαλείων μπαταρίας

- α. Να επαναφορτίζετε μόνο με το φορτιστή που καθορίζει ο κατασκευαστής. Ένας φορτιστής που είναι κατάλληλος για ένα τύπο πακέτου μπαταρίας μπορεί να δημιουργήσει κίνδυνο πυρκαγιάς όταν χρησιμοποιείται με άλλο πακέτο μπαταρίας.
- β. Χρησιμοποιείτε τα ηλεκτρικά εργαλεία αποκλειστικά και μόνο με τα καθοριζόμενα πακέτα μπαταριών. Η χρήση άλλων πακέτων μπαταριών μπορεί να προκαλέσει κίνδυνο τραυματισμού και πυρκαγιάς.
- γ. Όταν το πακέτο μπαταρίας δεν χρησιμοποιείται, κρατάτε το μακριά από άλλα μεταλλικά αντικείμενα, όπως συνδετήρες, κέρματα, κλειδιά, καρφιά, βίδες ή άλλα μικρά μεταλλικά αντικείμενα που μπορούν να βραχυκυκλώσουν τους δύο ακροδέκτες του. Αν βραχυκυκλωθούν οι ακροδέκτες της μπαταρίας, μπορεί να προκληθούν εγκαύματα ή πυρκαγιά.
- δ. Αν οι μπαταρίες υποστούν κακομεταχείριση, μπορεί να διαρρέει υγρό. Αποφύγετε την επαφή. Αν κατά λάθος έρθετε σε επαφή, ξεπλύνετε με νερό. Σε περίπτωση που το υγρό έλθει σε επαφή με τα μάτια σας, ζητήστε επιπλέον και ιατρική βοήθεια. Το υγρό που εξέρχεται από την μπαταρία μπορεί να προκαλέσει ερεθισμό ή εγκαύματα.
- ε. Μη χρησιμοποιήσετε πακέτο μπαταρίας ή εργαλείο που έχει υποστεί ζημιά ή τροποποίηση. Οι μπαταρίες που έχουν υποστεί ζημιά ή τροποποίηση μπορεί να έχουν απρόβλεπτη συμπεριφορά, με αποτέλεσμα φωτιά, έκρηξη ή κίνδυνο τραυματισμού.
- στ. Μην εκθέτετε ένα πακέτο μπαταρίας ή εργαλείο σε φωτιά ή υπερβολική θερμοκρασία. Η έκθεση σε φωτιά ή σε θερμοκρασία πάνω από 130°C μπορεί να προκαλέσει έκρηξη.

- ζ. Τηρείτε όλες τις οδηγίες φόρτισης και μη φορτίζετε το πακέτο μπαταρίας ή το εργαλείο εκτός των ορίων θερμοκρασίας που ορίζονται στις προδιαγραφές. Η ακατάλληλη φόρτιση ή η φόρτιση σε θερμοκρασίες εκτός των προβλεπόμενων ορίων μπορεί να προξενήσει ζημιά στην μπαταρία και να αυξήσει τον κίνδυνο φωτιάς.

6. Σέρβις

- α. Αναθέστε το σέρβις του ηλεκτρικού σας εργαλείου σε εξειδικευμένο τεχνικό επισκευών που χρησιμοποιεί μόνο γνήσια ανταλλακτικά. Έτσι θα εξασφαλίσετε τη διατήρηση της ασφάλειας του ηλεκτρικού εργαλείου.
- β. Ποτέ μην κάνετε σέρβις σε πακέτα μπαταριών που έχουν υποστεί ζημιά. Το σέρβις των πακέτων μπαταριών πρέπει να γίνεται μόνο από τον κατασκευαστή ή από εξουσιοδοτημένους παρόχους σέρβις.

Πρόσθετες προειδοποιήσεις ασφαλείας για ηλεκτρικά εργαλεία



Προειδοποίηση! Πρόσθετες προειδοποιήσεις ασφαλείας κοινές για εργασίες τροχίσματος, λείανσης με γυαλόχαρτο, συρματόβουρτσας, γυαλισματος ή κοπής με λειαντικό δίσκο:

- ◆ Αυτό το προϊόν προορίζεται για χρήση ως τροχός, τριβείο, συρματόβουρτσα, σπλιβωτικό ή εργαλείο κοπής. Διαβάστε όλες τις προειδοποιήσεις ασφαλείας, τις οδηγίες, τις απεικονίσεις και τις προδιαγραφές που συνοδεύουν αυτό το ηλεκτρικό εργαλείο. Η μη τήρηση οποιασδήποτε από τις οδηγίες που αναφέρονται πιο κάτω μπορεί να έχει ως αποτέλεσμα ηλεκτροπληξία, πυρκαγιά και/ή σοβαρό τραυματισμό.
- ◆ Οι εργασίες για τις οποίες δεν έχει σχεδιαστεί το εργαλείο μπορεί να δημιουργήσουν κίνδυνο και να προκαλέσουν σωματική βλάβη.
- ◆ Μη χρησιμοποιείτε αξεσουάρ τα οποία δεν είναι ειδικά σχεδιασμένα και δεν συνιστώνται από τον κατασκευαστή του εργαλείου. Απλά επειδή το αξεσουάρ μπορεί να προσαρτηθεί στο ηλεκτρικό σας εργαλείο, αυτό δεν εξασφαλίζει την ασφαλή λειτουργία.
- ◆ Η ονομαστική ταχύτητα του αξεσουάρ πρέπει να είναι τουλάχιστον ίση με τη μέγιστη ταχύτητα που είναι επισήμως πάνω στο ηλεκτρικό εργαλείο. Αξεσουάρ που περιστρέφονται ταχύτερα από την ονομαστική τους ταχύτητα μπορεί να σπάζονται και να θραύονται τους σε εκτιναχτόν.
- ◆ Η εξωτερική διάμετρος και το πάχος του αξεσουάρ πρέπει να βρίσκονται εντός των ορίων των ικανοτήτων του ηλεκτρικού εργαλείου σας. Για αξεσουάρ με λανθασμένες διαστάσεις δεν μπορεί να εξασφαλιστεί επαρκής προστασία ή έλεγχος.
- ◆ Η τοποθέτηση αξεσουάρ με σπείρωμα πρέπει να ταυριάζεται στο σπείρωμα του άξονα του τροχού. Για

αξεσουάρ που στερεώνονται με φλάντζες, η οπή ατράκτου του αξεσουάρ πρέπει να ταιριάζει με τη διάμετρο τοποθέτησης της φλάντζας. Αξεσουάρ που δεν ταιριάζουν με τα υλικά στερέωσης του ηλεκτρικού εργαλείου θα κινούνται εκτός ζυγοστάθμισης, θα δονούνται υπερβολικά και μπορεί να γίνουν αιτία απώλειας του ελέγχου.

- ◆ **Μη χρησιμοποιείτε ένα χαλασμένο αξεσουάρ.** Πριν από κάθε χρήση, επιθεωρείτε το αξεσουάρ, όπως τροχούς λείανσης, για εκλεπίσεις και ρωγμές, την επιφάνεια στήριξης για ρωγμές, σχίσμο ή υπερβολική φθορά, τη συρματόβουρτσα για αποκολλημένα ή ραγισμένα σύρματα. Αν πέσει κάτω το ηλεκτρικό εργαλείο ή το αξεσουάρ, ελέγξτε το αξεσουάρ προσεκτικά για ζημιά ή εγκαταστήστε αξεσουάρ που δεν έχει υποστεί ζημιά. Μετά τον έλεγχο και την εγκατάσταση ενός αξεσουάρ λειτουργήστε το εργαλείο στη μέγιστη ταχύτητα χωρίς φορτίο για ένα λεπτό. Τα αξεσουάρ που έχουν υποστεί ζημιά κανονικά θα διαλυθούν στη διάρκεια αυτού του χρόνου δοκιμής.
- ◆ **Χρησιμοποιείτε ατομικό εξοπλισμό προστασίας.** Ανάλογα με την εφαρμογή, χρησιμοποιείτε προστατευτικό προσώπου, ειδικά ματογυάλια ασφαλείας ή γυαλιά ασφαλείας. Φοράτε, όπως ενδείκνυται, μάσκα κατά της σκόνης, προστατευτικά ακοής, γάντια και ποδιά συνεργείου ικανή να σταματά θραύσματα από τον τροχό λείανσης ή το αντικείμενο εργασίας. Τα προστατευτικά μαπιών πρέπει να έχουν την ικανότητα να σταματούν εκτινασσόμενα σωματίδια που παράγονται από διάφορες εργασίες. Η μάσκα σκόνης ή αναπνευστική συσκευή πρέπει να είναι σε θέση να φιλτράρει σωματίδια που παράγονται από την εργασία σας. Η παρατεταμένη έκθεση σε θόρυβο υψηλής έντασης μπορεί να προκαλέσει απώλεια ακοής.
- ◆ **Κρατήστε τους παρευρισκόμενους σε μια ασφαλή απόσταση από το χώρο εργασίας.** Οποιοσδήποτε εισέρχεται στην περιοχή εργασίας πρέπει να φορά προστατευτικό εξοπλισμό. Θραύσματα που αντικείμενο εργασίας ή ένα στασμένο αξεσουάρ μπορεί να εκσφενδονιστεί και να προκαλέσει τραυματισμούς πέρα από την άμεση περιοχή των εργασιών.
- ◆ **Κρατάτε το ηλεκτρικό εργαλείο από μονωμένες επιφάνειες λαβής όταν εκτελείτε μια εργασία όπου το αξεσουάρ κοπής μπορεί να έρθει σε επαφή με αθέατα καλώδια ή με το ίδιο του το καλώδιο.** Αν το αξεσουάρ κοπής έρθει σε επαφή με καλώδιο υπό τάση μπορεί να τεθούν υπό ηλεκτρική τάση και να εκτεθειμένα μεταλλικά μέρη του ηλεκτρικού εργαλείου και να προκληθεί ηλεκτροπληξία στο χειριστή.
- ◆ **Χρησιμοποιείτε σφικτήρες ή άλλο πρακτικό τρόπο για να στερεώνετε και να στηρίζετε το αντικείμενο εργασίας σε σταθερό υπόβαθρο.** Αν κρατάτε το τεμάχιο

εργασίας με το χέρι σας ή κόντρα στο σώμα σας, αυτό δεν είναι σταθερό και μπορεί να προκληθεί απώλεια ελέγχου.

- ◆ **Τοποθετείτε το καλώδιο μακριά από το περιστρεφόμενο αξεσουάρ.** Αν χάσετε τον έλεγχο, το καλώδιο μπορεί να κοπεί ή να μπλεχτεί και το κάτω ή το πάνω τμήμα του χεριού σας μπορεί τραβηχτεί πάνω στο περιστρεφόμενο αξεσουάρ.
- ◆ **Ποτέ μην αφήσετε κάτω το ηλεκτρικό εργαλείο αν πρώτα δεν έχει σταματήσει τελείως να κινείται το αξεσουάρ.** Το περιστρεφόμενο αξεσουάρ μπορεί να έρθει σε επαφή με την επιφάνεια και να ακινητοποιηθεί σε αυτή, με αποτέλεσμα το ηλεκτρικό εργαλείο να τραβηχτεί εκτός ελέγχου σας.
- ◆ **Μην έχετε ή θέτετε σε λειτουργία το ηλεκτρικό εργαλείο ενώ το μεταφέρετε στο πλευρό σας.** Τυχόν αθέλητη επαφή με το περιστρεφόμενο αξεσουάρ θα μπορούσε να πιάσει τα ρούχα σας, τραβώντας το αξεσουάρ προς το σώμα σας.
- ◆ **Καθαρίζετε τακτικά τα ανοίγματα αέρα του ηλεκτρικού εργαλείου.** Ο ανεμιστήρας του μοτέρ θα τραβήξει τη σκόνη μέσα στο περίβλημα και η υπερβολικά μεγάλη συγκέντρωση σκόνης μετάλλου μπορεί να προκαλέσει κινδύνους από το ηλεκτρικό ρεύμα.
- ◆ **Μη χρησιμοποιείτε το ηλεκτρικό εργαλείο κοντά σε εύφλεκτα υλικά.** Αυτά τα υλικά θα μπορούσαν να αναφλεγούν από σπινθήρες.
- ◆ **Μη χρησιμοποιείτε αξεσουάρ για τα οποία απαιτείται ψύξη με ψυκτικά υγρά.** Η χρήση νερού ή άλλων ψυκτικών υγρών μπορεί να προκαλέσει ηλεκτροπληξία που ίσως αποβεί θανατηφόρα.

Σημείωση: Η παραπάνω προειδοποίηση δεν έχει εφαρμογή σε ηλεκτρικά εργαλεία που έχουν σχεδιαστεί ειδικά για χρήση με σύστημα υγρού.

Ανάδραση και σχετικές προειδοποιήσεις

Η ανάδραση (κλώσημα) είναι μια ξαφνική αντίδραση όταν ένας περιστρεφόμενος τροχός, πέλμα στήριξης γυαλόχαρτου, βούρτσα ή κάποιο άλλο εξάρτημα σφηνώσει ή μαγκώσει. Το σφηνώμα ή μάγκωμα προκαλεί ταχεία ακινητοποίηση του περιστρεφόμενου αξεσουάρ που με τη σειρά της εξαναγκάζει το εκτός ελέγχου ηλεκτρικό εργαλείο προς την αντίθετη κατεύθυνση της περιστροφής του αξεσουάρ από το σημείο εμπλοκής.

Για παράδειγμα, αν ένας τροχός λείανσης πιαστεί ή κολλήσει στο αντικείμενο εργασίας, η ακμή του τροχού που εισέρχεται στο σημείο εμπλοκής μπορεί να σκάψει την επιφάνεια του υλικού προκαλώντας την έξοδο ή το κλώσημα του τροχού. Ο τροχός μπορεί είτε να αναπηδήσει προς το χειριστή ή αντίθετα από αυτόν, ανάλογα με την κατεύθυνση κίνησης του τροχού στο σημείο εμπλοκής.

Οι τροχοί λείανσης μπορούν επίσης να σπάσουν υπό αυτές τις συνθήκες.

Η ανάδραση αποτελεί συνέπεια κακής χρήσης του ηλεκτρικού εργαλείου ή/και εσφαλμένων διαδικασιών ή συνθηκών λειτουργίας και μπορεί να αποφευχθεί με κατάλληλα προληπτικά μέτρα, όπως αυτά που περιγράφονται παρακάτω.

- ◆ **Κρατήστε το ηλεκτρικό εργαλείο γερά και τοποθετήστε το σώμα και το βραχιόνά σας έτσι ώστε να μπορέσετε να αντισταθείτε στις δυνάμεις του κλώσηματος.** Πάντα χρησιμοποιείτε τη βοηθητική λαβή, εάν παρέχεται, για μέγιστο έλεγχο της ανάδρασης ή της αντίδρασης ροπής κατά την εκκίνηση. Ο χειριστής μπορεί να ελέγξει αντιδράσεις ροπής ή δυνάμεις ανάδρασης αν έχουν ληφθεί κατάλληλες προφυλάξεις.
- ◆ **Ποτέ μην τοποθετείτε το χέρι σας κοντά στο περιστρεφόμενο αξεσουάρ.** Το αξεσουάρ μπορεί με την ανάδραση να κινηθεί πάνω στο χέρι σας.
- ◆ **Μην τοποθετείτε το σώμα σας στην περιοχή όπου θα κινηθεί το ηλεκτρικό εργαλείο αν προκύψει ανάδραση.** Η ανάδραση θα κινήσει το εργαλείο σε αντίθετη κατεύθυνση από την κίνηση του τροχού στο σημείο εμπλοκής.
- ◆ **Προσέχετε ιδιαίτερα όταν επεξεργάζεστε γωνίες, αιχμηρά άκρα κλπ. Αποφεύγετε την αναπήδηση και το μάγκωμα του αξεσουάρ.** Οι γωνίες, οι αιχμηρές ακμές ή η αναπήδηση έχουν την τάση να εμπλέκουν το περιστρεφόμενο αξεσουάρ και να προκαλούν απώλεια ελέγχου ή ανάδραση.
- ◆ **Μη συνδέετε στο εργαλείο λεπίδα ξυλογλυπτικής με αλυσίδα ή οδοντωτή λεπίδα πριονιού.** Αυτού του είδους οι λεπίδες δημιουργούν συχνή ανάδραση και απώλεια του ελέγχου.

Προειδοποιήσεις ασφαλείας ειδικά για τρόχισμα και εργασίες λειαντικής αποκοπής

- ◆ **Χρησιμοποιείτε μόνο τύπους τροχών που συνιστώνται για το ηλεκτρικό εργαλείο σας και το συγκεκριμένο προστατευτικό που έχει σχεδιαστεί για τον επιλεγμένο τροχό.** Για τροχούς για τους οποίους δεν έχει σχεδιαστεί το ηλεκτρικό εργαλείο δεν μπορεί να επιτευχθεί επαρκής προστασία και επομένως αυτοί δεν είναι ασφαλείς.
- ◆ **Η επιφάνεια τρόχιματος σε τροχούς βυθισμένου κέντρου πρέπει να τοποθετείται κάτω από το επίπεδο του χείλους του προστατευτικού.** Ένας ακατάλληλα τοποθετημένος τροχός που προεξέχει από το επίπεδο του χείλους του προστατευτικού δεν επιτρέπει επαρκή προστασία.
- ◆ **Το προστατευτικό πρέπει να είναι προσαρτημένο στέρεα στο ηλεκτρικό εργαλείο και να έχει ρυθμιστεί η**

θέση του για μέγιστη ασφάλεια, ώστε ο χειριστής να είναι εκτεθειμένος σε όσο το δυνατόν μικρότερο μέρος του τροχού. Το προστατευτικό βοηθά να προστατευτεί ο χειριστής από θραύσματα λόγω ενδοχόμενης θραύσης του τροχού, από κατά λάθος επαφή με τον τροχό και από σπινθήρες οι οποίοι θα μπορούσαν να προκαλέσουν ανάφλεξη σε ρουχισμό.

- ◆ **Οι τροχοί πρέπει να χρησιμοποιούνται μόνο για τις συνιστώμενες εφαρμογές.** Για παράδειγμα: μην τροχίζετε με το πλάι του τροχού κοπής. Οι λειαντικοί τροχοί κοπής προορίζονται για τρόχισμα με την περιφέρεια μόνο και αν εφαρμοστούν πλευρικές δυνάμεις στους τροχούς αυτούς, μπορεί να προκληθεί θραύση τους.
- ◆ **Πάντα να χρησιμοποιείτε φλάντζες τροχών που δεν έχουν ζημίες και είναι του σωστού μεγέθους και σχήματος για τον τροχό που έχετε επιλέξει.** Η σωστή φλάντζα τροχού στηρίζει τον τροχό, μειώνοντας έτσι την πιθανότητα θραύσης του τροχού. Οι φλάντζες για τροχούς κοπής μπορεί να είναι διαφορετικές από τις φλάντζες για τροχούς τρόχιματος.
- ◆ **Μη χρησιμοποιείτε φθαρμένους τροχούς από μεγαλύτερα ηλεκτρικά εργαλεία.** Ένας τροχός που προορίζεται για μεγαλύτερο ηλεκτρικό εργαλείο δεν είναι κατάλληλος για τη μεγαλύτερη ταχύτητα ενός μικρότερου εργαλείου και μπορεί να σπάσει.

Πρόσθετες προειδοποιήσεις ασφαλείας για εργασίες λειαντικής αποκοπής

- ◆ **Μην μαγκώνετε τον τροχό κοπής και μην εφαρμόζετε υπερβολική πίεση.** Μην επιχειρείτε να πραγματοποιήσετε υπερβολικό βάθος κοπής.
- ◆ **υπερβολική καταπόνηση του τροχού αυξάνει το φορτίο και την ευπάθεια σε συστολή ή μάγκωμα του τροχού μέσα στην κοπή και επομένως την πιθανότητα ανάδρασης ή θραύσης του τροχού.**
- ◆ **Μην τοποθετείτε το σώμα σας σε ευθεία με ή πίσω από τον περιστρεφόμενο τροχό.** Αν ο τροχός, στο σημείο χρήσης του, κινείται μακριά από το σώμα σας, μια πιθανή ανάδραση (κλώσημα) μπορεί να κάνει τον περιστρεφόμενο τροχό και το ηλεκτρικό εργαλείο να τιναχτούν κατευθείαν προς το μέρος σας.
- ◆ **Όταν μπλοκάρει ο τροχός, ή σε περίπτωση διακοπής της κοπής για οποιονδήποτε λόγο, απενεργοποιήστε το εργαλείο και κρατήστε το ακίνητο μέσα στο κατεργαζόμενο τεμάχιο, μέχρι να σταματήσει τελείως ο τροχός.** Ποτέ μην προσπαθήσετε να αφαιρέσετε τον τροχό κοπής από την τομή ενώ ο τροχός είναι σε κίνηση, διαφορετικά μπορεί να σημειωθεί ανάδραση. Διερευνήστε και πάρτε διορθωτικά μέτρα για να εξαλείψετε το αίτιο του μαγκώματος του τροχού.
- ◆ **Μην επανεκκινήσετε την εργασία κοπής μέσα στο αντικείμενο εργασίας.** Αφήστε πρώτα τον τροχό να

φθάσει σε πλήρη ταχύτητα και προσεκτικά εισάγετέ τον πάλι στην κοπή.

- ♦ **τροχός μπορεί να μαγκώσει, να κινηθεί προς το μέρος σας ή να παρουσιάσει ανάδραση αν το ηλεκτρικό εργαλείο επανεκκινηθεί ενώ είναι μέσα στο αντικείμενο εργασίας.**
- ♦ **Να υποστηρίξετε τα μεγάλα φύλλα ή τα υπερμεγέθη αντικείμενα εργασίας ώστε να ελαχιστοποιείτε τον κίνδυνο σφηνώματος και ανάδρασης του τροχού.** Τα μεγάλα αντικείμενα εργασίας τείνουν να κάμπτονται υπό το ίδιο τους το βάρος. Τα στηρίγματα πρέπει να τοποθετούνται κάτω από το αντικείμενο εργασίας κοντά στη γραμμή κοπής και κοντά στο άκρο του τεμαχίου εργασίας και στις δύο πλευρές του τροχού.
- ♦ **Να είστε εξαιρετικά προσεκτικοί όταν δημιουργείτε “κοπή εσωτερικού ανοίγματος” σε υπάρχοντες τοίχους ή άλλες τυφλές περιοχές.** Ο τροχός που προεξέχει μπορεί να κόψει σωλήνες αερίου ή νερού, ηλεκτρικά καλώδια ή αντικείμενα που μπορεί να προκαλέσουν ανάδραση.

Προειδοποιήσεις ασφαλείας ειδικά για εργασίες γυαλοχαρτίσματος

- ♦ **Μη χρησιμοποιείτε υπερβολικά υπερμεγέθη γυαλόχαρτα δίσκου λείανσης. Τηρήστε τις συστάσεις του κατασκευαστή, κατά την επιλογή γυαλόχαρτου.** Το μεγάλο γυαλόχαρτο που εκτείνεται πέρα από το πέλμα γυαλοχαρτίσματος δημιουργεί κίνδυνο κοψίματος και μπορεί να προκαλέσει μάγκωμα, σχίσιμο του δίσκου ή ανάδραση.

Προειδοποιήσεις ασφαλείας ειδικά για εργασίες γυαλισματος

- ♦ **Μην επιτρέπετε σε χαλαρά τμήματα του καλύμματος στίλβωσης ή στα κορδόνια στερέωσής του να περιστρέφονται ελεύθερα. Στερεώστε μέσα στην κεφαλή ή κόψτε τυχόν ελεύθερα κορδόνια σύνδεσης.** Τα ελεύθερα κορδόνια σύνδεσης που περιστρέφονται μπορούν να πιάσουν τα δάχτυλά σας ή να πιαστούν στο αντικείμενο εργασίας και να συσφιχτούν.

Προειδοποιήσεις ασφαλείας ειδικά για εργασίες χρήσης συρματόβουρτσας

- ♦ **Έχετε υπόψη σας ότι συρματινές τρίχες εκσφενδονίζονται από τη βούρτσα ακόμη και κατά τη συνήθη λειτουργία. Μην καταπονείτε υπερβολικά τα σύρματα εφαρμόζοντας υπερβολικό φορτίο στη βούρτσα.** Οι συρματινές τρίχες μπορούν να διεισδύσουν εύκολα σε ελαφρύ ρουχισμό και/ή το δέρμα.
- ♦ **Αν συνιστάται η χρήση προστατευτικού για τις εργασίες με συρματόβουρτσα, μην επιτρέψετε οποιαδήποτε επαφή του συρματινίου τροχού ή της συρματόβουρτσας με το προστατευτικό.**

- ♦ **διάμετρος του συρματινίου τροχού ή της συρματόβουρτσας μπορεί να αυξηθεί λόγω του φορτίου εργασίας και των φυγόκεντρων δυνάμεων.**



Προειδοποίηση! Η επαφή με τη σκόνη ή η εισπνοή της σκόνης που δημιουργούν οι εφαρμογές γυαλοχαρτίσματος/τροχίσματος μπορεί να ενέχουν κίνδυνο για την υγεία του χειριστή και των παρευρισκομένων. Φορέστε μάσκα σκόνης ειδικά σχεδιασμένη για προστασία από τη σκόνη και τις αναθυμιάσεις και βεβαιωθείτε ότι τα άτομα που βρίσκονται ή εισέρχονται στο χώρο εργασίας είναι επίσης προστατευμένα.

Ασφάλεια τρίτων

- ♦ Η συσκευή αυτή δεν προορίζεται για χρήση από άτομα (περιλαμβανομένων παιδιών) με μειωμένες σωματικές, αισθητηριακές ή πνευματικές ικανότητες, ή με έλλειψη εμπειρίας και γνώσης, εκτός αν σε αυτά έχει παρασχεθεί από άτομο υπεύθυνο για την ασφάλειά τους επίβλεψη ή εκπαίδευση σχετικά με τη χρήση της συσκευής.
- ♦ Τα παιδιά πρέπει να επιτηρούνται, ώστε να διασφαλίζεται ότι δεν παίζουν με τη συσκευή.

Υπολειπόμενοι κίνδυνοι

Κατά τη χρήση του εργαλείου μπορεί να δημιουργηθούν πρόσθετοι υπολειπόμενοι κίνδυνοι, οι οποίοι ενδέχεται να μη συμπεριλαμβάνονται στις προειδοποιήσεις ασφαλείας που εσωκλείονται.

Αυτοί οι κίνδυνοι μπορεί να προκληθούν από κακή χρήση, παρατεταμένη χρήση κλπ.

Παρά την εφαρμογή των σχετικών κανονισμών ασφαλείας και τη χρήση διατάξεων ασφαλείας, ορισμένοι υπολειπόμενοι κίνδυνοι δεν είναι δυνατό να αποφευχθούν. Σε αυτούς περιλαμβάνονται:

- ♦ Τραυματισμοί από επαφή με περιστρεφόμενα/κινούμενα μέρη.
- ♦ Τραυματισμοί κατά την αλλαγή οποιωνδήποτε εξαρτημάτων, λαμίων ή αξεσουάρ.
- ♦ Σωματικές βλάβες από παρατεταμένη χρήση του εργαλείου. Όταν χρησιμοποιείτε οποιοδήποτε εργαλείο για παρατεταμένα χρονικά διαστήματα, μην παραλείπετε με κανένα τρόπο να κάνετε τακτικά διαλείμματα.
- ♦ Βλάβη της ακοής.
- ♦ Κίνδυνοι για την υγεία λόγω εισπνοής σκόνης που αναπτύσσεται κατά τη χρήση του εργαλείου σας (παραδείγμα: εργασία με ξύλο, ειδικά βελανιδιά, οξιά και MDF.)

Κραδασμοί

Η δηλωμένη τιμή εκπομπής κραδασμών που αναφέρεται στα τεχνικά χαρακτηριστικά και στη δήλωση συμμόρφωσης έχει

μετρηθεί σύμφωνα με τυποποιημένη μέθοδο δοκιμής που παρέχεται από το πρότυπο EN 60745 και μπορεί να χρησιμοποιηθεί για τη σύγκριση ενός εργαλείου με ένα άλλο. Η δηλωμένη τιμή εκπομπής κραδασμών μπορεί επίσης να χρησιμοποιηθεί σε έναν προκαταρκτικό προσδιορισμό της έκθεσης σε κραδασμούς.

Προειδοποίηση! Στην πράξη, η τιμή εκπομπής κραδασμών κατά την χρήση του ηλεκτρικού εργαλείου μπορεί να διαφέρει από την τιμή που δηλώθηκε, ανάλογα με τον τρόπο που χρησιμοποιείται το εργαλείο. Το επίπεδο κραδασμών μπορεί να αυξηθεί πάνω από το επίπεδο που έχει δηλωθεί. Κατά τον προσδιορισμό της έκθεσης σε κραδασμούς για τον καθορισμό των απαιτούμενων μέτρων ασφαλείας σύμφωνα με την οδηγία 2002/44/EK για την προστασία προσώπων που χρησιμοποιούν συχνά ηλεκτρικά εργαλεία στην εργασία τους, μια προσεγγιστική εκτίμηση της έκθεσης σε κραδασμούς πρέπει να λαμβάνει υπόψη τις πραγματικές συνθήκες χρήσης και τον τρόπο χρήσης του εργαλείου, συμπεριλαμβανομένων και όλων των επιμέρους τμημάτων του κύκλου εργασίας, όπως τα χρονικά διαστήματα που το εργαλείο ήταν εκτός λειτουργίας και τα διαστήματα λειτουργίας χωρίς φορτίο, επιπλέον του χρόνου πίεσης της σκανδάλης.

Ετικέτες πάνω στο εργαλείο

Τα εικονογράμματα που ακολουθούν, μαζί με τον κωδικό ημερομηνίας, εμφανίζονται πάνω στο εργαλείο:



Προειδοποίηση! Για να μειωθεί ο κίνδυνος τραυματισμού, ο χρήστης πρέπει να διαβάσει το εγχειρίδιο οδηγιών.



Φοράτε γυαλιά ασφαλείας ή ειδικά προστατευτικά γυαλιά όταν χρησιμοποιείτε αυτό το εργαλείο.



Φοράτε προστατευτικά ακοής όταν χρησιμοποιείτε αυτό το εργαλείο

Πρόσθετες οδηγίες ασφαλείας για μπαταρίες και φορτιστές

Μπαταρίες (μονάδα BCG720M1 μόνο)

- ♦ Ποτέ μην επιχειρήσετε να τις ανοίξετε, για κανένα λόγο.
- ♦ Μην εκθέτετε την μπαταρία σε νερό.
- ♦ Μην τις αποθηκεύετε σε θεσίες όπου η θερμοκρασία ενδέχεται να υπερβεί τους 40 °C.
- ♦ Να τις φορτίζετε μόνο σε θερμοκρασίες περιβάλλοντος μεταξύ 10 °C και 40 °C.
- ♦ Να τις φορτίζετε μόνο με τη χρήση του φορτιστή που παρέχεται με το εργαλείο.
- ♦ Κατά την απόρριψη μπαταριών, να ακολουθείτε τις οδηγίες που παρέχονται στην ενότητα “Προστασία του περιβάλλοντος”.



Μην επιχειρήσετε να φορτίσετε μπαταρίες που έχουν υποστεί ζημιά.

Φορτιστές (μονάδα BCG720M1 μόνο)

- ♦ Ο φορτιστής BLACK+DECKER πρέπει να χρησιμοποιείται αποκλειστικά και μόνο για τη φόρτιση της μπαταρίας του εργαλείου που συνόδευε. Άλλες μπαταρίες ενδέχεται να εκραγούν, προκαλώντας τραυματισμό ατόμων και ζημιές.
- ♦ Μην επιχειρήσετε ποτέ να φορτίσετε μη επαναφορτιζόμενες μπαταρίες.
- ♦ Να φροντίζετε να αντικαθίστανται άμεσα τα καλώδια που έχουν υποστεί ζημιά.
- ♦ Μην εκθέτετε το φορτιστή σε νερό.
- ♦ Μην ανοίγετε το φορτιστή.
- ♦ Μην εισάγετε οποιαδήποτε αντικείμενα μέσα στο φορτιστή.



Ο φορτιστής προορίζεται για χρήση μόνο σε εσωτερικούς χώρους.



Διαβάστε το εγχειρίδιο οδηγιών πριν τη χρήση

Ασφαλής χρήση ηλεκτρικού ρεύματος



Ο φορτιστής σας φέρει διπλή μόνωση. Επομένως, δεν απαιτείται αγωγός γείωσης. Ελέγχετε πάντα ότι η τάση ρεύματος δικτύου συμφωνεί με αυτήν που αναγράφεται στην πινακίδα τεχνικών χαρακτηριστικών. Ποτέ μην επιχειρήσετε να αντικαταστήσετε τη μονάδα φορτιστή με κανονικό φως ρεύματος δικτύου.

- ♦ Αν το καλώδιο ρεύματος έχει υποστεί ζημιά, πρέπει να αντικατασταθεί από τον κατασκευαστή ή εξουσιοδοτημένο κέντρο σέρβις BLACK+DECKER, για την αποφυγή κινδύνου.

Χαρακτηριστικά

Αυτό το εργαλείο διαθέτει μερικά από ή όλα τα παρακάτω χαρακτηριστικά.

1. Διακόπτης ασφάλισης
2. Διακόπτης σκανδάλης
3. Πλευρική λαβή
4. Ασφάλεια άξονα
5. Προστατευτικό τροχίσματος
6. Δίσκο τροχίσματος
7. Διαμέρισμα μπαταρίας
8. Μπαταρία (μονάδα BCG720M1 μόνο)

Φόρτιση μπαταρίας (εικ. Α)

Οι φορτιστές BLACK+DECKER έχουν σχεδιαστεί να φορτίζουν πακέτα μπαταριών BLACK+DECKER.

- ◆ Συνδέστε το φορτιστή (9) σε κατάλληλη πρίζα πριν εισάγετε ένα πακέτο μπαταρίας (8).
- ◆ Εισάγετε το πακέτο μπαταρίας (8) μέσα στο φορτιστή εξασφαλίζοντας ότι το πακέτο μπαταρίας έχει εδράσει πλήρως μέσα στις υποδοχές της μπαταρίας (Εικόνα Α).



Η λυχνία LED (9a) θα αναβοσβήνει υποδεικνύοντας ότι η μπαταρία φορτίζεται.



Η ολοκλήρωση της φόρτισης υποδεικνύεται από τη λυχνία LED η οποία παραμένει αναμμένη συνεχώς. Τότε το πακέτο είναι πλήρως φορτισμένο και μπορείτε να το χρησιμοποιήσετε ή να το αφήσετε τοποθετημένο στο φορτιστή.

- ◆ Επαναφορτίστε τις αποφορτισμένες μπαταρίες το συντομότερο δυνατόν μετά τη χρήση τους, διαφορετικά μπορεί να μειωθεί πολύ η διάρκεια ζωής τους. Για τη μέγιστη διάρκεια ζωής των μπαταριών, μην τις αποφορτίζετε πλήρως. Συνιστάται να επαναφορτίσετε τις μπαταρίες μετά από κάθε χρήση.

Διαγνωστικά φορτιστή (εικ. Β)

Αυτός ο φορτιστής έχει σχεδιαστεί ώστε να ανιχνεύει ορισμένα προβλήματα που μπορούν να προκύψουν με πακέτα μπαταριών ή με την πηγή ρεύματος. Τα προβλήματα υποδεικνύονται από μια λυχνία LED που αναβοσβήνει με διαφορετικά μοτίβα αναλαμπών.

Προβληματική μπαταρία



Ο φορτιστής μπορεί να ανιχνεύσει ότι μια μπαταρία είναι εξασθενημένη ή έχει υποστεί ζημιά. Η λυχνία LED αναβοσβήνει με το μοτίβο αναλαμπών που υποδεικνύεται στην ετικέτα. Αν δείτε αυτό το μοτίβο αναλαμπών που αντιστοιχεί σε προβληματική μπαταρία, μη συνεχίσετε τη φόρτιση της μπαταρίας. Επιστρέψτε την σε κέντρο σέρβις ή σε θέση συλλογής για ανακύκλωση.

Καθυστέρηση λόγω θερμού/ψυχρού πακέτου μπαταρίας



Αν ο φορτιστής ανιχνεύσει μπαταρία με υπερβολικά υψηλή ή χαμηλή θερμοκρασία, ξεκινά αυτόματα μια Καθυστέρηση λόγω θερμού/ψυχρού πακέτου μπαταρίας, αναστέλλοντας τη φόρτιση έως ότου η μπαταρία έχει φθάσει σε κατάλληλη θερμοκρασία. Αφού συμβεί αυτό, ο φορτιστής μεταβαίνει αυτόματα σε λειτουργία φόρτισης του πακέτου. Αυτή η λειτουργία διασφαλίζει τη μέγιστη διάρκεια ζωής της μπαταρίας.

Η λυχνία αναβοσβήνει με το μοτίβο αναλαμπών που υποδεικνύεται στην ετικέτα.

Παραμονή της μπαταρίας στο φορτιστή

Ο φορτιστής και το πακέτο μπαταρίας μπορούν να παραμείνουν συνδεδεμένα επ' αόριστον με τη λυχνία LED αναμμένη. Ο φορτιστής θα διατηρήσει το πακέτο μπαταρίας σε βέλτιστη κατάσταση και πλήρως φορτισμένο. Αυτός ο φορτιστής διαθέτει μια αυτόματη λειτουργία συντήρησης η οποία εξισώνει ή εξισορροπεί τα μεμονωμένα στοιχεία στο πακέτο μπαταρίας για να επιτρέψει στο πακέτο μπαταρίας να λειτουργεί σε μέγιστη χωρητικότητα. Τα πακέτα μπαταρίας πρέπει να υποβάλλονται στη διαδικασία συντήρησης κάθε εβδομάδα ή όταν η μπαταρία δεν παρέχει πλέον το ίδιο αποτέλεσμα όπως παλαιότερα. Για να χρησιμοποιήσετε τη λειτουργία αυτόματης συντήρησης, τοποθετήστε το πακέτο μπαταρίας στο φορτιστή και αφήστε το εκεί για τουλάχιστον 8 ώρες.

Σημαντικές επισημάνσεις για τη φόρτιση

- ◆ Μπορείτε να επιτύχετε την καλύτερη δυνατή διάρκεια ζωής και τη μέγιστη απόδοση εάν φορτίζετε το πακέτο μπαταρίας σε θερμοκρασία 18 °C - 24 °C. ΜΗ φορτίζετε το πακέτο μπαταρίας σε θερμοκρασίες αέρα που είναι μικρότερες από +4,5 °C ή μεγαλύτερες από +40 °C. Αυτό είναι σημαντικό και θα αποτρέψει τη σοβαρή βλάβη του πακέτου μπαταρίας.
- ◆ Ο φορτιστής και το πακέτο μπαταρίας μπορεί να θερμανθούν αισθητά κατά τη φόρτιση. Αυτό είναι κανονικό φαινόμενο και όχι ένδειξη προβλήματος. Για να διευκολύνετε την ψύξη του πακέτου μπαταρίας μετά τη χρήση, αποφεύγετε να τοποθετείτε το φορτιστή ή το πακέτο μπαταρίας σε θερμό περιβάλλον, όπως σε μεταλλικό παράπηγμα ή σε μη μονωμένο τρέιλερ.
- ◆ Αν το πακέτο μπαταριών δεν φορτίζεται σωστά:
 - ◆ Ελέγξτε τη λειτουργία της πρίζας συνδέοντας ένα φωτιστικό ή άλλη συσκευή.
 - ◆ Ελέγξτε μήπως η πρίζα συνδέεται σε διακόπτη φώτων που διακόπτει το ρεύμα όταν σβήνετε τα φώτα.
 - ◆ Μετακινήστε το φορτιστή και το πακέτο μπαταρίας σε θέση όπου η θερμοκρασία αέρα περιβάλλοντος είναι περίπου 18 °C - 24 °C.
 - ◆ Αν τα προβλήματα φόρτισης επιμένουν, παραδώστε το εργαλείο, το πακέτο μπαταρίας και το φορτιστή στο τοπικό σας κέντρο σέρβις.
- ◆ Το πακέτο μπαταρίας πρέπει να επαναφορτίζεται όταν δεν είναι σε θέση να παράγει επαρκή ισχύ σε εργασίες που γίνοντουσαν εύκολα πιο πριν. ΜΗ ΣΥΝΕΧΙΣΕΤΕ τη χρήση υπό αυτές τις συνθήκες. Ακολουθήστε τη διαδικασία φόρτισης. Μπορείτε επίσης να φορτίσετε όποτε επιθυμείτε ένα πακέτο μπαταρίας που δεν έχει εξαντληθεί πλήρως, χωρίς αυτό να έχει αρνητικές συνέπειες.
- ◆ Πρέπει να κρατάτε μακριά από τις κοιλότητες του φορτιστή ξένα υλικά αγωγίσιμης φύσης, όπως είναι, αλλά χωρίς να περιορίζονται σε, σκόνη από εργασίες

λείανσης, μεταλλικά ρινίσματα, σύρμα τριψίματος, αλουμινόχαρτο ή οποιαδήποτε συσσώρευση μεταλλικών σωματιδίων. Αποσυνδέετε το φορτιστή από την πρίζα πριν επιχειρήσετε να τον καθαρίσετε.

- ◆ Μην αφήσετε το τροφοδοτικό να παγώσει και μην το βυθίσετε σε νερό ή οποιοδήποτε άλλο υγρό.

Τοποθέτηση και αφαίρεση της μπαταρίας (εικ. C, D)

- ◆ Για να τοποθετήσετε την μπαταρία (8), ευθυγραμμίστε τη με την υποδοχή στο εργαλείο (7). Τοποθετήστε την μπαταρία μέσα στην υποδοχή και σπρώξτε την μέχρι να ασφαλίσει στη θέση της.
- ◆ Για να αφαιρέσετε την μπαταρία, πατήστε το κουμπί απελευθέρωσης μπαταρίας (8a) ενώ ταυτόχρονα τραβάτε την μπαταρία έξω από την υποδοχή.

Συναρμολόγηση

Προειδοποίηση! Πριν από τη συναρμολόγηση, βεβαιωθείτε ότι το εργαλείο είναι απενεργοποιημένο και ότι έχετε αφαιρέσει την μπαταρία.

Τοποθέτηση και αφαίρεση του προστατευτικού (εικ. E, F, G)

Το εργαλείο συνοδεύεται από ένα προστατευτικό που προορίζεται μόνο για χρήσεις τροχίσματος (τύπου 27). Αν η μονάδα προορίζεται για εκτέλεση εργασιών κοπής, πρέπει να τοποθετηθεί ένα προστατευτικό ειδικό για αυτόν τον τύπο εργασίας (τύπου 41). Διατίθενται κατάλληλα προστατευτικά, με αριθμό ανταλλακτικού 1004702-44 (για τροχό κοπής 125 mm), τα οποία μπορείτε να αποκτήσετε από κέντρα σέρβις BLACK+DECKER.

- ◆ Τοποθετήστε το εργαλείο σε ένα τραπέζι, με τον άξονα (11) στραμμένο προς τα πάνω.
- ◆ Ελευθερώστε την ασφάλεια σύσφιξης και κρατήστε το προστατευτικό πάνω από το εργαλείο όπως δείχνει η εικόνα E.
- ◆ Ευθυγραμμίστε τις ωτίδες (5a) με τις εγκοπές (10) όπως δείχνει η εικόνα F.
- ◆ Πιέστε το προστατευτικό προς τα κάτω και περιστρέψτε το αριστερόστροφα έως ότου βρεθεί στην απαιτούμενη θέση όπως δείχνει η εικόνα G.
- ◆ Σφίξτε τη βίδα της ασφάλισης του προστατευτικού για να στερεώσετε το προστατευτικό στο εργαλείο.
- ◆ Εάν χρειάζεται, σφίξτε τη βίδα για να αυξήσετε τη δύναμη σύσφιξης.

Αφαίρεση

- ◆ Ελευθερώστε τη βίδα της ασφάλισης προστατευτικού.
- ◆ Περιστρέψτε το προστατευτικό δεξιόστροφα για να ευθυγραμμίσετε τις ωτίδες (5a) με τις εγκοπές (10).
- ◆ Αφαιρέστε το προστατευτικό από το εργαλείο.

Προειδοποίηση! Μη χρησιμοποιήσετε ποτέ το εργαλείο χωρίς το προστατευτικό.

Τοποθέτηση της πλευρικής λαβής

- ◆ Βιδώστε την πλευρική λαβή (3) σε μία από τις οπές στερέωσης στο εργαλείο.

Προειδοποίηση! Χρησιμοποιείτε πάντοτε την πλευρική λαβή.

Τοποθέτηση και αφαίρεση δίσκων τροχίσματος, δίσκων κοπής ή εξαρτημάτων περυγίων γυαλοχαρτίσματος (εικ. H, I, J, K, L)

Πάντα να χρησιμοποιείτε το σωστό τύπο δίσκου για την εφαρμογή σας.

Χρησιμοποιείτε πάντα δίσκους κατάλληλης διαμέτρου και μεγέθους οπής άξονα (δείτε τα τεχνικά χαρακτηριστικά).

Τοποθέτηση

- ◆ Τοποθετήστε το προστατευτικό όπως περιγράφηκε πιο πάνω.
- ◆ Τοποθετήστε την εσωτερική φλάντζα (12) πάνω στον άξονα (11) όπως δείχνει η εικόνα. Η βεβαιωθείτε ότι η φλάντζα τοποθετείται σωστά στις επίπεδες πλευρές του άξονα.
- ◆ Τοποθετήστε το δίσκο (6) πάνω στον άξονα (11) όπως δείχνει η εικόνα H. Αν ο δίσκος έχει ανυψωμένο κέντρο, βεβαιωθείτε ότι το ανυψωμένο κέντρο είναι στραμμένο προς την εσωτερική φλάντζα.
- ◆ Βεβαιωθείτε ότι ο δίσκος έχει πάρει τη σωστή θέση πάνω στην εσωτερική φλάντζα.
- ◆ Τοποθετήστε την εξωτερική φλάντζα (14) πάνω στον άξονα. Όταν τοποθετείτε ένα δίσκο τροχίσματος, το ανυψωμένο κέντρο στην εξωτερική φλάντζα πρέπει να είναι στραμμένο προς το δίσκο (Α στην εικ. I). Κατά την τοποθέτηση δίσκου κοπής, το ανυψωμένο κέντρο στην εξωτερική φλάντζα πρέπει να είναι στραμμένο αντίθετα από το δίσκο (B στην Εικ. I).
- ◆ Κρατήστε την ασφάλεια άξονα (4) πατημένη και σφίξτε την εξωτερική φλάντζα χρησιμοποιώντας το κλειδί δύο πείρων (16) (εικ. J).

Αφαίρεση

- ◆ Κρατήστε την ασφάλεια άξονα (4) πατημένη και λασκάρτε την εξωτερική φλάντζα (14) χρησιμοποιώντας το κλειδί δύο πείρων (16) (εικ. J).
- ◆ Αφαιρέστε την εξωτερική φλάντζα (14) και το δίσκο (6).

Τρόχισμα επιφάνειας με τροχούς τροχίσματος

- ◆ Αφήστε το εργαλείο να φθάσει στην πλήρη ταχύτητα πριν φέρετε το εργαλείο σε επαφή με την επιφάνεια εργασίας.
- ◆ Εφαρμόστε ελάχιστη πίεση στην επιφάνεια εργασίας, επιτρέποντας στο εργαλείο να λειτουργήσει σε υψηλή ταχύτητα. Η ταχύτητα τροχίσματος είναι μέγιστη όταν το εργαλείο λειτουργεί σε υψηλή ταχύτητα.

- ◆ Διατηρήστε μια γωνία 20° έως 30° μεταξύ του εργαλείου και της επιφάνειας εργασίας, όπως δείχνει η εικόνα L.
- ◆ Μετακινείτε συνεχώς το εργαλείο με κίνηση εμπρός-πίσω ώστε να αποφύγετε την τοπική αφαίρεση υλικού σε μεγάλο βάθος από την επιφάνεια εργασίας.
- ◆ Απομακρύνετε το εργαλείο από την επιφάνεια εργασίας πριν το απενεργοποιήσετε. Επιτρέψτε στο εργαλείο να σταματήσει να περιστρέφεται πριν το αφήσετε.

Τρόχισμα ακμής με τροχούς τροχίσματος

Οι τροχοί που χρησιμοποιούνται για κοπή και τρόχισμα ακμής ενδέχεται να σπασούν ή να προκαλέσουν ανάδραση αν λυγίσουν ή συστραφούν όταν το εργαλείο χρησιμοποιείται σε εργασία κοπής ή τροχίσματος σε βάθος.

Οι εργασίες τροχίσματος ακμής/κοπής με τροχό τύπου 27 πρέπει να περιορίζονται σε ρηχή κοπή και δημιουργία εγκοπής βάθους μικρότερου από 13 mm όταν ο τροχός είναι νέος. Μειώστε το βάθος κοπής/εγκοπής σύμφωνα με τη μείωση της ακτίνας του τροχού, καθώς αυτός φθερνεί. Για περισσότερες πληροφορίες, ανατρέξτε στον 'Πίνακα αξεσουάρ τροχίσματος και κοπής' στο τέλος αυτού του εγχειριδίου.

Για τρόχισμα ακμής/κοπή με τροχό τύπου 41 απαιτείται χρήση προστατευτικού τύπου 41.

- ◆ Αφήστε το εργαλείο να φθάσει στην πλήρη ταχύτητα πριν φέρετε το εργαλείο σε επαφή με την επιφάνεια εργασίας.
- ◆ Εφαρμόζετε ελάχιστη πίεση στην επιφάνεια εργασίας, επιτρέποντας στο εργαλείο να λειτουργήσει σε υψηλή ταχύτητα. Η ταχύτητα τροχίσματος είναι μέγιστη όταν το εργαλείο λειτουργεί σε υψηλή ταχύτητα.
- ◆ Τοποθετήστε το σώμα σας ώστε η ανοικτή κάτω πλευρά του τροχού να κοιτάζει μακριά σας.
- ◆ Αφού αρχίσει η κοπή και έχει επιτευχθεί μια εντομή στο αντικείμενο εργασίας, μην αλλάξετε τη γωνία της κοπής. Η αλλαγή της γωνίας θα προκαλέσει κάμψη του τροχού και μπορεί να προκαλέσει θραύση του. Οι τροχοί τροχίσματος ακμής δεν είναι σχεδιασμένοι για να αντέχουν τις πλευρικές πιέσεις που προκαλούνται από την κάμψη.
- ◆ Απομακρύνετε το εργαλείο από την επιφάνεια εργασίας πριν απενεργοποιήσετε το εργαλείο. Επιτρέψτε στο εργαλείο να σταματήσει να περιστρέφεται πριν το αφήσετε.

Προειδοποίηση! Μη χρησιμοποιείτε τροχούς τροχίσματος ακμής/τροχούς κοπής για εφαρμογές τροχίσματος επιφανειών αν η ετικέτα του τροχού απαγορεύει τέτοια χρήση, επειδή οι τροχοί αυτοί δεν είναι σχεδιασμένοι για τις πλευρικές πιέσεις που δημιουργούνται κατά το τρόχισμα επιφανειών. Μπορεί να προκληθεί θραύση του τροχού και σοβαρός τραυματισμός.

Τοποθέτηση και αφαίρεση δίσκων γυαλοχαρτίσματος (εικ. Κ)

Για το γυαλοχαρτίσμο, απαιτείται ένα πέλμα στήριξης. Το πέλμα στήριξης είναι διαθέσιμο από τον τοπικό σας αντιπρόσωπο BLACK+DECKER σαν αξεσουάρ.

Τοποθέτηση

- ◆ Τοποθετήστε την εσωτερική φλάντζα (12) πάνω στον άξονα (11) όπως δείχνει η εικόνα (εικ. Κ). Βεβαιωθείτε ότι η φλάντζα τοποθετείται σωστά στις επίπεδες πλευρές του άξονα.
- ◆ Τοποθετήστε το πέλμα στήριξης (18) πάνω στον άξονα.
- ◆ Τοποθετήστε το δίσκο γυαλοχαρτίσματος (19) πάνω στο πέλμα στήριξης.
- ◆ Τοποθετήστε την εξωτερική φλάντζα (14) πάνω στον άξονα με το ανυψωμένο κέντρο στραμμένο αντίθετα με το δίσκο.
- ◆ Κρατήστε την ασφάλεια άξονα (4) πατημένη και σφίξτε την εξωτερική φλάντζα χρησιμοποιώντας το κλειδί δύο πείρων (16) (εικ. J). Βεβαιωθείτε ότι η εξωτερική φλάντζα έχει τοποθετηθεί σωστά και ότι ο δίσκος είναι καλά σφιγμένος.

Αφαίρεση

- ◆ Κρατήστε την ασφάλεια άξονα (4) πατημένη και λασκάρτε την εξωτερική φλάντζα (14) χρησιμοποιώντας το κλειδί δύο πείρων (16) (εικ. J).
- ◆ Αφαιρέστε την εξωτερική φλάντζα (14), το δίσκο γυαλοχαρτίσματος (19) και το πέλμα στήριξης (18).

Φινίρισμα επιφανειών με δίσκους γυαλοχαρτίσματος

- ◆ Αφήστε το εργαλείο να φθάσει στην πλήρη ταχύτητα πριν φέρετε το εργαλείο σε επαφή με την επιφάνεια εργασίας.
- ◆ Εφαρμόζετε ελάχιστη πίεση στην επιφάνεια εργασίας, επιτρέποντας στο εργαλείο να λειτουργεί σε υψηλή ταχύτητα. Η ταχύτητα γυαλοχαρτίσματος είναι μέγιστη όταν το εργαλείο λειτουργεί σε υψηλή ταχύτητα.
- ◆ Διατηρήστε μια γωνία 5° έως 10° μεταξύ του εργαλείου και της επιφάνειας εργασίας, όπως δείχνει η εικόνα M.
- ◆ Μετακινείτε συνεχώς το εργαλείο με κίνηση εμπρός-πίσω ώστε να αποφύγετε την τοπική αφαίρεση υλικού σε μεγάλο βάθος από την επιφάνεια εργασίας.
- ◆ Απομακρύνετε το εργαλείο από την επιφάνεια εργασίας πριν το απενεργοποιήσετε. Επιτρέψτε στο εργαλείο να σταματήσει να περιστρέφεται πριν το αφήσετε.

Χρήση υποθεμάτων γυαλοχαρτίσματος

Πάντα επιλέγετε δίσκους γυαλοχαρτίσματος με κοκκώδες κατάλληλο για την εφαρμογή σας. Οι δίσκοι γυαλοχαρτίσματος διατίθενται σε διάφορα κοκκώδη. Οι αδρόι κόκκοι προσφέρουν μεγαλύτερους ρυθμούς αφαίρεσης υλικού και πιο τραχύ φινίρισμα. Οι λεπτοί κόκκοι

προσφέρουν πιο αργούς ρυθμούς αφαίρεσης υλικού και πιο λείο φινίρισμα. Ξεκινήστε με δίσκους αδρού κοκκώδους για γρήγορη, χονδρική αφαίρεση υλικού. Αλλάξτε σε χαρτί μεσαίου κοκκώδους και τελειώστε με δίσκο λεπτού κοκκώδους για βέλτιστο φινίρισμα.

- ◆ Αδρό = αριθμός 16 - 30.
- ◆ Μεσαίο = αριθμός 36 - 80.
- ◆ Λείο φινίρισμα = αριθμός 100 - 120.
- ◆ Πολύ λείο φινίρισμα = αριθμός 150 - 180.
- ◆ Αφήστε το εργαλείο να φθάσει στην πλήρη ταχύτητα πριν το φέρετε σε επαφή με την επιφάνεια εργασίας.
- ◆ Εφαρμόζετε ελάχιστη πίεση στην επιφάνεια εργασίας, επιτρέποντας στο εργαλείο να λειτουργεί σε υψηλή ταχύτητα. Η ταχύτητα γυαλοχαρτίσματος είναι μέγιστη όταν το εργαλείο λειτουργεί σε υψηλή ταχύτητα.
- ◆ Διατηρήστε μια γωνία 5° έως 10° μεταξύ του εργαλείου και της επιφάνειας εργασίας, όπως δείχνει η εικόνα N. Ο δίσκος γυαλοχαρτίσματος θα πρέπει να είναι σε επαφή με περίπου 25 mm της επιφάνειας εργασίας.
- ◆ Μετακινείτε συνεχώς το εργαλείο σε ευθεία γραμμή για να εμποδίσετε το κάψιμο και τη δημιουργία βαθιών κυκλικών χαραγών στην επιφάνεια εργασίας. Αν αφήσετε το εργαλείο να παραμείνει στην επιφάνεια εργασίας χωρίς να το μετακινείτε ή αν το μετακινείτε κυκλικά, προκαλείται κάψιμο και δημιουργία βαθιών κυκλικών χαραγών στην επιφάνεια εργασίας.
- ◆ Απομακρύνετε το εργαλείο από την επιφάνεια εργασίας πριν το απενεργοποιήσετε. Επιτρέψτε στο εργαλείο να σταματήσει να περιστρέφεται πριν το αφήσετε.

Προφυλάξεις για το γυαλοχαρτίσμο βαμμένων επιφανειών

- ◆ Το γυαλοχαρτίσμο επιφανειών που είναι βαμμένες με χρωματιστή βάση μολύβδου **ΔΕΝ ΣΥΝΙΣΤΑΤΑΙ**, λόγω της δυσκολίας ελέγχου της ρυπαρότητας σκόνης. Ο μεγαλύτερος κίνδυνος δηλητηρίασης από μολύβδο είναι για παιδιά και εγκύους.
 - ◆ Επειδή είναι δύσκολο να αναγνωριστεί χωρίς χημική ανάλυση αν ένα χρώμα περιέχει μολύβδο ή όχι, συνιστούμε τις εξής προφυλάξεις όταν γυαλοχαρτίζετε οποιαδήποτε βαμμένη επιφάνεια:
 - ◆ Δεν θα πρέπει στην περιοχή εργασίας όπου γίνονται εργασίες γυαλοχαρτίσματος να εισέρχονται παιδιά ή έγκυες έως ότου ολοκληρωθεί όλη η διαδικασία καθαρισμού.
 - ◆ Όλα τα άτομα που εισέρχονται στην περιοχή εργασίας θα πρέπει να φορούν μάσκα ή αναπνευστική συσκευή. Το φίλτρο θα πρέπει να αντικαθίσταται καθημερινά ή όταν αυτός που το φορά έχει δυσκολία στην αναπνοή.
- Σημείωση:** Θα πρέπει να χρησιμοποιούνται μόνο αυτές οι μάσκες κατά της σκόνης που είναι κατάλληλες για εργασία με χρώματα μολύβδου. Οι κανονικές μάσκες βαφής δεν

προσφέρουν αυτή την προστασία. Απευθυνθείτε στο τοπικό σας κατάστημα υλικών για την κατάλληλη εγκεκριμένη μάσκα.

- ◆ ΜΗΝ ΤΡΩΤΕ, ΠΙΝΕΤΕ ή ΚΑΠΝΙΖΕΤΕ στο χώρο εργασίας, για να αποφύγετε την πρόσληψη μολυσμένων σωματιδίων χρώματος. Οι εργαζόμενοι θα πρέπει να πλένονται και να καθαρίζονται ΠΡΙΝ από κατανάλωση φαγητού ή ποτού ή πριν το κάπνισμα. Δεν θα πρέπει να αφήνονται στην περιοχή εργασίας είδη φαγητού, ποτού ή καπνίσματος, γιατί θα μπορούσαν να μολυνθούν με σκόνη.
- ◆ Το χρώμα θα πρέπει να αφαιρείται με τέτοιο τρόπο ώστε να ελαχιστοποιείται η ποσότητα της παραγόμενης σκόνης.
- ◆ Οι περιοχές όπου αφαιρείται χρώμα πρέπει να απομονώνονται με πλαστικά φύλλα πάχους 4 mil.
- ◆ Το γυαλοχαρτίσμο πρέπει να γίνεται με τρόπο ώστε να μειώνεται η μεταφορά σκόνης χρώματος έξω από την περιοχή εργασίας.
- ◆ Όλες οι επιφάνειες στην περιοχή εργασίας θα πρέπει να σκουπίζονται με ηλεκτρική σκούπα και να καθαρίζονται καθημερινά σχολαστικά για τη διάρκεια των εργασιών γυαλοχαρτίσματος. Οι σκούπες ηλεκτρικής σκούπας θα πρέπει να αλλάζονται συχνά.
- ◆ Τα πλαστικά πετάσματα θα πρέπει να συγκεντρώνονται και να απορρίπτονται μαζί με όλη τη σκόνη, ροκανίδια ή άλλα υπολείμματα από τη διαδικασία αφαίρεσης. Θα πρέπει να τοποθετούνται σε σφραγισμένα δοχεία απορριμμάτων και να απορρίπτονται μέσω των κανονικών διαδικασιών συλλογής απορριμμάτων. Κατά τον καθαρισμό, τα παιδιά και οι έγκυες θα πρέπει να παραμένουν μακριά από την άμεση περιοχή εργασίας.
- ◆ Όλα τα παιχνίδια, τα πλενόμενα έπιπλα και τα σκεύη που χρησιμοποιούνται από παιδιά θα πρέπει να πλένονται σχολαστικά πριν χρησιμοποιηθούν πάλι.

Τοποθέτηση και χρήση συρματοβουρτσών και τροχών σύρματος

Οι συρματοβουρτσές σχήματος κυπέλλου ή οι τροχοί σύρματος βιδώνονται απευθείας πάνω στον άξονα του εργαλείου τροχού χωρίς τη χρήση φλαντζών. Όταν χρησιμοποιείτε συρματοβουρτσές και τροχούς σύρματος, απαιτείται προστατευτικό Τύπου 27. Φοράτε γάντια εργασίας όταν χειρίζεστε συρματοβουρτσές και τροχούς σύρματος. Τα εξαρτήματα μπορεί να γίνουν αιχμηρά. Ο τροχός ή η βούρτσα δεν πρέπει να αγγίζει το προστατευτικό όταν τοποθετείται ή κατά τη χρήση.

Θα μπορούσε να προκληθεί μη εντοπισίμη ζημιά στο αξεσουάρ, προκαλώντας την αποκοπή συρμάτων από το αξεσουάρ, δηλ. τον τροχό ή τη βούρτσα σχήματος κυπέλλου.

- ◆ Βιδώστε τον τροχό στον άξονα με το χέρι.

- ♦ Πατήστε το κουμπί ασφάλισης του άξονα και χρησιμοποιήστε ένα κλειδί πάνω στην πλήμνη του τροχού σύρματος ή της συρματόβουρτσας για να σφίξετε τον τροχό.
- ♦ Για να αφαιρέσετε τον τροχό, αντιστρέψτε την παραπάνω διαδικασία.

Προειδοποίηση! Αν δεν επιτευχθεί σωστή έδραση της πλήμνης του τροχού πριν την ενεργοποίηση του εργαλείου, μπορεί να προκληθεί ζημιά στο εργαλείο ή στον τροχό. Οι τροχοί σύρματος και οι συρματόβουρτσες μπορούν να χρησιμοποιηθούν για αφαίρεση σκουριάς, επικαθήσεων και χρωμάτων και για τη λείανση ανώμαλων επιφανειών.

Σημείωση: Οι ίδιες προφυλάξεις πρέπει να λαμβάνονται κατά τη χρήση συρματόβουρτσας σε χρωματισμένες επιφάνειες καθώς και κατά το γυαλόχαρτο βαφής.

- ♦ Αφήστε το εργαλείο να φθάσει στην πλήρη ταχύτητα πριν φέρετε το εργαλείο σε επαφή με την επιφάνεια εργασίας.
- ♦ Εφαρμόζετε ελάχιστη πίεση στην επιφάνεια εργασίας, επιτρέποντας στο εργαλείο να λειτουργεί σε υψηλή ταχύτητα. Η ταχύτητα αφαίρεσης υλικού είναι μέγιστη όταν το εργαλείο λειτουργεί σε υψηλή ταχύτητα.
- ♦ Διατηρείτε γωνία 5° έως 10° μεταξύ του εργαλείου και της επιφάνειας εργασίας για συρματόβουρτσες σχήματος κυπέλλου όπως δείχνει η εικόνα Ο.
- ♦ Διατηρείτε επαφή ανάμεσα στο άκρο του τροχού και στην επιφάνεια εργασίας όταν χρησιμοποιείτε τροχούς σύρματος.
- ♦ Μετακινείτε συνεχώς το εργαλείο με κίνηση εμπρός-πίσω ώστε να αποφύγετε την τοπική αφαίρεση υλικού σε μεγάλο βάθος από την επιφάνεια εργασίας. Αν αφήνετε το εργαλείο να παραμείνει στην επιφάνεια εργασίας χωρίς να το μετακινείτε ή αν το μετακινείτε κυκλικά, προκαλείται κάψιμο και δημιουργία βαθιών κυκλικών χαραγών στην επιφάνεια εργασίας.
- ♦ Απομακρύνετε το εργαλείο από την επιφάνεια εργασίας πριν απενεργοποιήσετε το εργαλείο. Επιτρέψτε στο εργαλείο να σταματήσει να περιστρέφεται πριν το αφήσετε.

Προειδοποίηση! Χρησιμοποιείτε πρόσθετη προσοχή όταν εργάζεστε πάνω από μια ακμή, γιατί μπορείτε να αντιμετωπίσετε ξαφνική και απότομη κίνηση του εργαλείου τροχού.

Τοποθέτηση και χρήση τροχών κοπής (τύπου 41)

Οι τροχοί κοπής περιλαμβάνουν διαμαντοτροχούς και λειαντικούς δίσκους. Διατίθενται λειαντικοί τροχοί κοπής για χρήση σε μέταλλο και σκυρόδεμα. Μπορούν επίσης να χρησιμοποιηθούν διαμαντολεπίδες για κοπή σκυροδέματος.

ΣΗΜΕΙΩΣΗ: Όταν χρησιμοποιείτε τροχούς κοπής, απαιτείται κλειστό προστατευτικό τροχού κοπής 2 πλευρών, τύπου 41, το οποίο πωλείται ξεχωριστά. Η μη χρήση κατάλληλης φλάντζας και προστατευτικού μπορεί να έχει ως αποτέλεσμα

τραυματισμό από θραύση του τροχού και από επαφή με τον τροχό.

Για τους τροχούς κοπής πρέπει να χρησιμοποιούνται φλάντζες στήριξης αντίστοιχης διαμέτρου και παξιμάδι σύσφιξης με σπείρωμα (συμπεριλαμβάνονται με το εργαλείο).

Τοποθέτηση τροχών κοπής

- ♦ Τοποθετήστε τη φλάντζα στήριξης χωρίς σπείρωμα στον άξονα, με το υπερυψωμένο τμήμα (οδηγό) να κοιτάζει προς τα πάνω. Το υπερυψωμένο τμήμα (οδηγός) πάνω στη φλάντζα στήριξης θα είναι προς τον τροχό όταν είναι εγκατεστημένος ο τροχός.
- ♦ Τοποθετήστε τον τροχό πάνω στη φλάντζα στήριξης, κεντράροντας τον τροχό πάνω στο υπερυψωμένο τμήμα (οδηγό).
- ♦ Τοποθετήστε το παξιμάδι σύσφιξης με σπείρωμα με το υπερυψωμένο τμήμα (οδηγό) να δείχνει αντίθετα από τον τροχό.
- ♦ Πατήστε το κουμπί ασφάλισης του άξονα και σφίξτε το παξιμάδι σύσφιξης με το παρεχόμενο κλειδί (16).
- ♦ Για να αφαιρέσετε τον τροχό, πατήστε το κουμπί ασφάλισης άξονα και λασκάρτε το παξιμάδι σύσφιξης με σπείρωμα χρησιμοποιώντας το παρεχόμενο κλειδί.

Προειδοποίηση! Μη χρησιμοποιείτε τροχούς τροχίσματος ακμής/τροχούς κοπής για εφαρμογές τροχίσματος επιφανειών, επειδή οι τροχοί αυτοί δεν είναι σχεδιασμένοι για τις πλευρικές πιέσεις που δημιουργούνται κατά το επιφανειακό τρόχισμα. Μπορεί να προκληθεί θραύση και τραυματισμός.

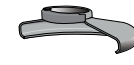

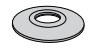

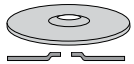

- ♦ Αφήστε το εργαλείο να φθάσει στην πλήρη ταχύτητα πριν το φέρετε σε επαφή με την επιφάνεια εργασίας.
- ♦ Εφαρμόστε ελάχιστη πίεση στην επιφάνεια εργασίας, επιτρέποντας στο εργαλείο να λειτουργήσει σε υψηλή ταχύτητα.
- ♦ ταχύτητα κοπής είναι μέγιστη όταν το εργαλείο λειτουργεί σε υψηλή ταχύτητα.
- ♦ Αφού αρχίσει η κοπή και έχει επιτευχθεί μια εντομή στο αντικείμενο εργασίας, μην αλλάξετε τη γωνία της κοπής. Η αλλαγή της γωνίας θα προκαλέσει κάμψη του τροχού και μπορεί να προκαλέσει θραύση του.
- ♦ Απομακρύνετε το εργαλείο από την επιφάνεια εργασίας πριν το απενεργοποιήσετε. Επιτρέψτε στο εργαλείο να σταματήσει να περιστρέφεται πριν το αφήσετε.

Χρήση

Προειδοποίηση! Αφήστε το εργαλείο να λειτουργήσει με το δικό του ρυθμό. Μην το υπερφορτώνετε.

- ♦ Να είστε προετοιμασμένοι για ροή σπινθήρων όταν ο δίσκος τροχίσματος ή κοπής έρθει σε επαφή με το αντικείμενο εργασίας.
- ♦ Πάντα να τοποθετείτε το εργαλείο με τέτοιο τρόπο ώστε το προστατευτικό να προσφέρει τη βέλτιστη προστασία από το δίσκο τροχίσματος ή κοπής.

Πίνακας αξεσουάρ τροχίσματος και κοπής

Τροχοί τροχίσματος	
 Προστατευτικό τύπου 27	 Προστατευτικό τύπου 27
 Φλάντζα βάσης χωρίς σπείρωμα	 Τροχός τύπου 27 με πλήμνη
 Τροχό τύπου 27 με βυθισμένο κέντρο	
 Παξιμάδι σύσφιξης με σπείρωμα	

Ενεργοποίηση και απενεργοποίηση

- ♦ Για να ενεργοποιήσετε το εργαλείο, μετακινήστε το διακόπτη ασφάλισης (2) προς τα εμπρός.
- ♦ Για να απενεργοποιήσετε το εργαλείο, μετακινήστε το διακόπτη ασφάλισης (2) προς τα πίσω.

Προειδοποίηση! Μην απενεργοποιείτε το εργαλείο ενώ βρίσκεται υπό φορτίο.

Προειδοποίηση! Πάντα να συμπλέκετε το διακόπτη ασφάλισης όταν δεν χρησιμοποιείται το εργαλείο.

Συμβουλές για βέλτιστη χρήση







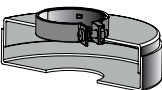
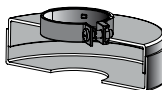






- ♦ Κρατήστε γερά το εργαλείο με το ένα χέρι γύρω από την πλευρική λαβή και το άλλο γύρω από την κύρια λαβή.
- ♦ Κατά τη λείανση, πάντοτε διατηρείτε μια γωνία περ. 20° - 30° ανάμεσα στο δίσκο και στην επιφάνεια του αντικείμενου εργασίας.

Συντήρηση

Αυτή η συσκευή/το εργαλείο ρεύματος/μπαταρίας της BLACK+DECKER έχει σχεδιαστεί έτσι ώστε να λειτουργεί για μεγάλο χρονικό διάστημα με την ελάχιστη δυνατή συντήρηση. Η συνεχής ικανοποιητική λειτουργία εξαρτάται από τη σωστή φροντίδα και τον τακτικό καθαρισμό του εργαλείου.

Προειδοποίηση! Πριν πραγματοποιήσετε οποιαδήποτε συντήρηση σε ηλεκτρικά εργαλεία ρεύματος/μπαταρίας:


- ♦ Απενεργοποιήστε και αποσυνδέστε τη συσκευή/το εργαλείο από την πρίζα.
- ♦ Ή απενεργοποιήστε και αφαιρέστε το πακέτο μπαταρίας από τη συσκευή/το εργαλείο, εάν η συσκευή/το εργαλείο διαθέτει αφαιρούμενο πακέτο μπαταρίας.
- ♦ Ή χρησιμοποιήστε τη συσκευή μέχρι να εξαντληθεί πλήρως η μπαταρία, αν είναι ενσωματωμένη, και στη συνέχεια απενεργοποιήστε τη συσκευή.
- ♦ Πριν τον καθαρισμό του φορτιστή αποσυνδέστε τον από την πρίζα. Ο φορτιστής σας δεν χρειάζεται καμία άλλη συντήρηση πέραν του τακτικού καθαρισμού.
- ♦ Να καθαρίζετε τακτικά τις εγκοπές εξερισμού της συσκευής/του εργαλείου/του φορτιστή χρησιμοποιώντας μια μαλακή βούρτσα ή ένα στεγνό πανί.
- ♦ Να καθαρίζετε τακτικά το περίβλημα του μοτέρ με ένα ελαφρά υγρό πανί. Μη χρησιμοποιείτε καθαριστικά που χαράζουν ή περιέχουν διαλύτες.

Δίσκοι γυαλοχαρτίσματος με πτερύγια	
 Προστατευτικό τύπου 27	 Προστατευτικό τύπου 27
 Δίσκος γυαλοχαρτίσματος με πτερύγια με πλήμνη	 Φλάντζα βάσης χωρίς σπείρωμα
	 Δίσκος γυαλοχαρτίσματος με πτερύγια χωρίς πλήμνη
	 Παξιμάδι σύσφιξης με σπείρωμα
Τροχοί κοπής τύπου 41	
 Προστατευτικό τύπου 41	 Προστατευτικό τύπου 41
 Φλάντζα στήριξης	 Φλάντζα στήριξης
 Λειαντικός τροχός κοπής	 Αδαμαντοφόρος τροχός κοπής
 Παξιμάδι σύσφιξης	 Παξιμάδι σύσφιξης

Συρμάτινοι τροχοί

 Προστατευτικό τύπου 27	 Προστατευτικό τύπου 27
 Συρματόβουρτσα 3 ιντσών σχήματος κυπέλλου	 Συρματόβουρτσα 4 ιντσών σχήματος κυπέλλου
Δίσκοι γυαλοχαρτίσματος	
 Λαστιχένιο πέλαμα στήριξης	
 Δίσκος γυαλοχαρτίσματος	
 Παξιμάδι σύσφιξης με σπείρωμα	

Προστασία του περιβάλλοντος

 Χωριστή συλλογή. Τα προϊόντα και οι μπαταρίες που επισημαίνονται με αυτό το σύμβολο δεν πρέπει να απορρίπτονται μαζί με τα κανονικά οικιακά απορρίμματα.

Τα προϊόντα και οι μπαταρίες περιέχουν υλικά που μπορούν να ανακτηθούν ή να ανακυκλωθούν ώστε να μειωθούν οι ανάγκες για πρώτες ύλες. Παρακαλούμε να ανακυκλώνετε τα ηλεκτρικά προϊόντα και τις μπαταρίες σύμφωνα με τους τοπικούς κανονισμούς. Περισσότερες πληροφορίες διατίθενται στον ιστότοπο www.2helpU.com

Τεχνικά δεδομένα

		BCG720 M1	BCG720 N
Τάση εισόδου	V _{DC}	18	18
Ονομαστική ταχύτητα (χωρίς φορτίο)	min ⁻¹	8600	8600
Οπή δίσκου	mm	22	22
Μέγ. πάχος δίσκου			
Δίσκοι τροχίσματος	mm	6	6
Δίσκοι κοπής	mm	3.5	3.5
Μέγεθος άξονα		M14	M14
Βάρος	kg	2,1 χωρίς μπαταρία και τροχό	2,1 χωρίς μπαταρία και τροχό
Μπαταρία		BL4018	Μόνο η μονάδα (δεν περιλαμβάνεται)
Τάση	V _{DC}	18	
Χωρητικότητα	Ah	4.0	
Τύπος		Ιόντων Λιθίου	
Φορτιστής		9059995*	Μόνο η μονάδα (δεν περιλαμβάνεται)
Τάση εισόδου	V _{AC}	230	
Τάση εξόδου	V _{DC}	18	
Ρεύμα	A	1.0	
Χρόνος φόρτισης, περ.	Ωρες	4	

Στάθμη ηχητικής πίεσης σύμφωνα με το EN 60745:

Ηχητική πίεση (L_{WA}) 76dB(A), αβεβαιότητα (K) 4dB(A)

Ηχητική ισχύς (L_{WA}) 877 dB(A), αβεβαιότητα (K) 4 dB(A)

Συνολικές τιμές κραδασμών (δυναμιακό άθροισμα τριών αξόνων) κατά EN 60745:

Τρόχισμα επιφάνειας (a_{ISO}): 7,3 m/s², K=1,5 m/s².
 Γυαλοχαρτίσμα με δίσκο (a_{ISO}): 1,9 m/s², K=1,5 m/s².
 Γυάλισμα (a_{ISO}): 8,6 m/s², K=2,4 m/s².
 Εργασίες συρματόβουρτσας (a_{WB}): 3,8 m/s², K=1,5 m/s².
 Αποκοπή (a_{ISO}): 4,0 m/s², K=1,5 m/s².

Δήλωση συμμόρφωσης ΕΚ
ΟΔΗΓΙΑ ΠΕΡΙ ΜΗΧΑΝΗΜΑΤΩΝ

BCG720 Γωνιακός τροχός
 Η Black & Decker δηλώνει ότι τα προϊόντα αυτά που περιγράφονται στα «τεχνικά χαρακτηριστικά» συμμορφώνονται με:

2006/42/EC, EN 60745-1:2009 + A11:2010;
 EN 60745-2-3:2011 + A2:2013 + A11:2014
 + A12:2014 + A13:2015

Αυτά τα προϊόντα συμμορφώνονται και με την Οδηγία 2014/30/EE και 2011/65/EE.

Για περισσότερες πληροφορίες, επικοινωνήστε με την Black & Decker στην παρακάτω διεύθυνση ή ανατρέξτε στο πίσω μέρος του εγχειριδίου.

Ο κάτωθι υπογεγραμμένος είναι υπεύθυνος για την κατάρτιση του τεχνικού φακέλου και δηλώνει τα παρόντα εκ μέρους της Black & Decker.

R. Laverick

Διευθυντής Τμήματος Μηχανικής
 Black & Decker Europe, 210 Bath Road, Slough,
 Berkshire, SL1 3YD Ηνωμένο Βασίλειο
 10/01/2018

Εγγύηση

Η Black & Decker είναι σίγουρη για την ποιότητα των προϊόντων της και προσφέρει στους καταναλωτές εγγύηση 24 μηνών από την ημερομηνία αγοράς. Αυτή η εγγύηση συμπληρώνει και με κανένα τρόπο δεν παραβάλλει τα νόμιμα δικαιώματά σας. Η εγγύηση ισχύει εντός της επικράτειας των χωρών μελών της Ευρωπαϊκής Ένωσης και της Ευρωπαϊκής Ζώνης Ελεύθερων Συναλλαγών.

Για να υποβάλετε αξίωση βάσει της εγγύησης, η αξίωση θα πρέπει να είναι σύμφωνη με τους Όρους και προϋποθέσεις της Black & Decker και θα χρειαστεί να υποβάλετε απόδειξη αγοράς στον πωλητή ή σε εξουσιοδοτημένο αντιπρόσωπο επισκευών. Μπορείτε να αποκτήσετε τους Όρους και προϋποθέσεις της εγγύησης 2 ετών της Black & Decker και να μάθετε την τοποθεσία του πλησιέστερου εξουσιοδοτημένου αντιπροσώπου επισκευών στο Internet στο www.2helpU.com, ή επικοινωνώντας με το τοπικό σας γραφείο Black & Decker στη διεύθυνση που υποδεικνύεται στο παρόν εγχειρίδιο.

Παρακαλούμε επισκεφθείτε την ιστοσελίδα μας www.blackanddecker.gr για να καταχωρίσετε το νέο σας προϊόν Black & Decker και για να ενημερώνεστε για τα νέα προϊόντα και τις ειδικές προσφορές.

België/Belgique/Luxembourg www.blackanddecker.be enduser.be@sbdinc.com	Stanley Black & Decker Belgium BVBA Egide Walschaertsstraat 16 2800 Mechelen	Tel. NL +32 15 47 37 65 Tel. FR +32 15 47 37 66 Fax. +32 15 47 37 99
Danmark	Black & Decker Roskildevej 22 2620 Albertslund	kundeservice.dk@sbdinc.com www.blackanddecker.dk
Deutschland www.blackanddecker.de infobfge@sdbinc.com	Stanley Black & Decker Deutschland GmbH Black & Decker Str. 40, D - 65510 Idstein	Tel. 06126 21-0 Fax 06126 21-2980
Ελλάδα www.blackanddecker.gr greece.service@sbdinc.com	Stanley Black & Decker (ΕΛΛΑΣ) Ε.Π.Ε ΓΡΑΦΕΙΑ: Σπύριδωνος 7 & Βουλιαγμένης 166 74 Γλυφάδα - Αθήνα	Τηλ. 210-8981616 Φαξ 210-8983570
SERVICE:	Ημερος Τόπος 2 -Χάνι Αδάμ 193 00 Ασπρόπυργος - Αθήνα	Τηλ. Service 210-8985208 Φαξ 210-5597598
España www.blackanddecker.es respuesta.posventa@sbdinc.com	Stanley Black & Decker Ibérica, S.C.A. Parc de Negocis "Mas Blau" Edificio Muntadas, c/Bergadá, 1, Of. A6 08820 El Prat de Llobregat (Barcelona)	Tel. 934 797 400 Fax 934 797 419
France www.blackanddecker.fr	Black & Decker (France) S.A.S. 5 allée des Hêtres B.P. 30084 69579 Limonest Cédex	Tel. 04 72 20 39 20 Fax 04 72 20 39 00
Helvetia www.blackanddecker.ch service@rofoag.ch	ROFO AG Gewerbezone Seeblick 3213 Kleinbösingen	Tel. 026-6749393 Fax 026-6749394
Italia www.blackanddecker.it service.italia@sbdinc.com	Stanley Black & Decker Italia Via Energypark 6 20871 Vimercate (MB)	Tel. 039-9590200 Fax 039-9590313 Numero verde 800-213935
Nederland www.blackanddecker.nl enduser.nl@sbdinc.com	Stanley Black & Decker Netherlands BV Holtum Noordweg 35, 6121 RE BORN Postbus 83, 6120 AB BORN	Tel. +31 164 283 065 Fax +31 164 283 200
Norge	Black & Decker Postboks 4613, Nydalen 0405 Oslo	kundeservice.no@sbdinc.com www.blackanddecker.no
Österreich www.blackanddecker.at service.austria@sbdinc.com	Stanley Black & Decker Austria GmbH Oberlaaerstraße 248, A-1230 Wien	Tel. 01 66116-0 Fax 01 66116-614
Portugal www.blackanddecker.pt resposta.posvenda@sbdinc.com	Black & Decker Limited SARL Quinta da Fonte - Edifício Q55 D, Diniz Rua dos Malhões, 2 e 2A - Piso 2 Esquerdo 2770 - 071 Paço de Arcos	Tel. 214667500 Fax 214667580
Suomi	Black & Decker PL47 00521, Helsinki	asiakaspalvelu.fi@sbdinc.com www.blackanddecker.fi
Sverige	Black & Decker AB Box 94, 431 22 Mölndal	kundservice.se@sbdinc.com www.blackanddecker.se
Türkiye www.blackanddecker.com.tr	KALE Hırdavat ve Makina A.Ş. Defferdar Mah. Savaklar Cad. No:15 Edimekapı / Eyüp / İstanbul 34050	Tel. 0212 533 52 55 Fax. 0212 533 10 05
United Kingdom & Republic Of Ireland www.blackanddecker.co.uk emeaservice@sbdinc.com	Black & Decker 210 Bath Road Slough, Berkshire SL1 3YD	Tel. 01753 511234 Fax 01753 512365
Middle East & Africa www.blackanddecker.ae service.mea@sbdinc.com	Black & Decker P.O.Box - 17164 Jebel Ali Free Zone (South), Dubai, UAE	Tel. +971 4 8863030 Fax +971 4 8863333